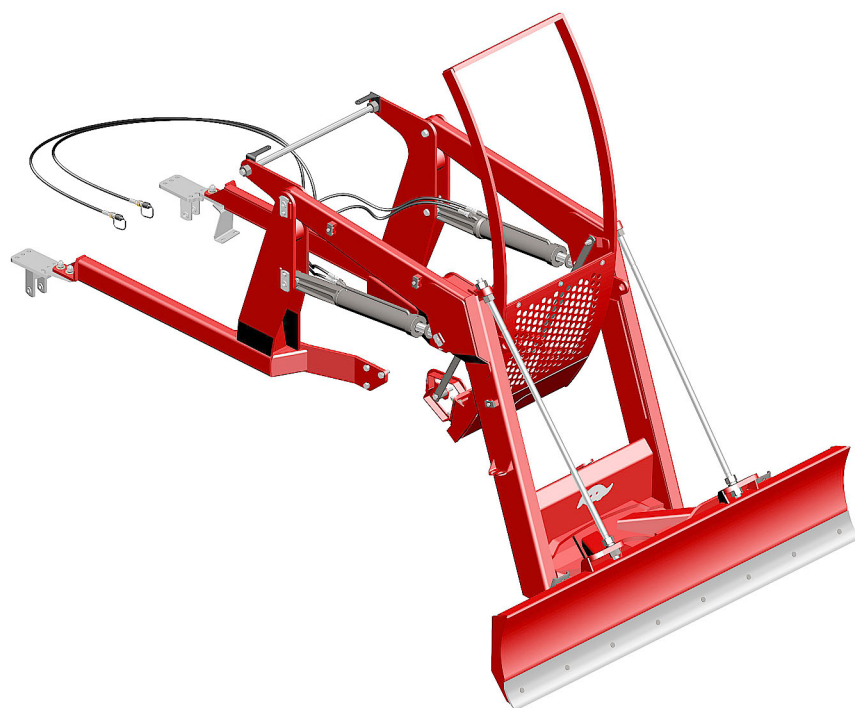


# ***PARTS CATALOG***

**PD - FRONT LOADER**

**PD MF 4265/75/83-4 BT SC GAL**

**Code: 0501091501**



**Series: S-0710**

**Review: DEZEMBRO/2017**

**ORIGINAL PARTS  
TATU**



# PRODUCTS

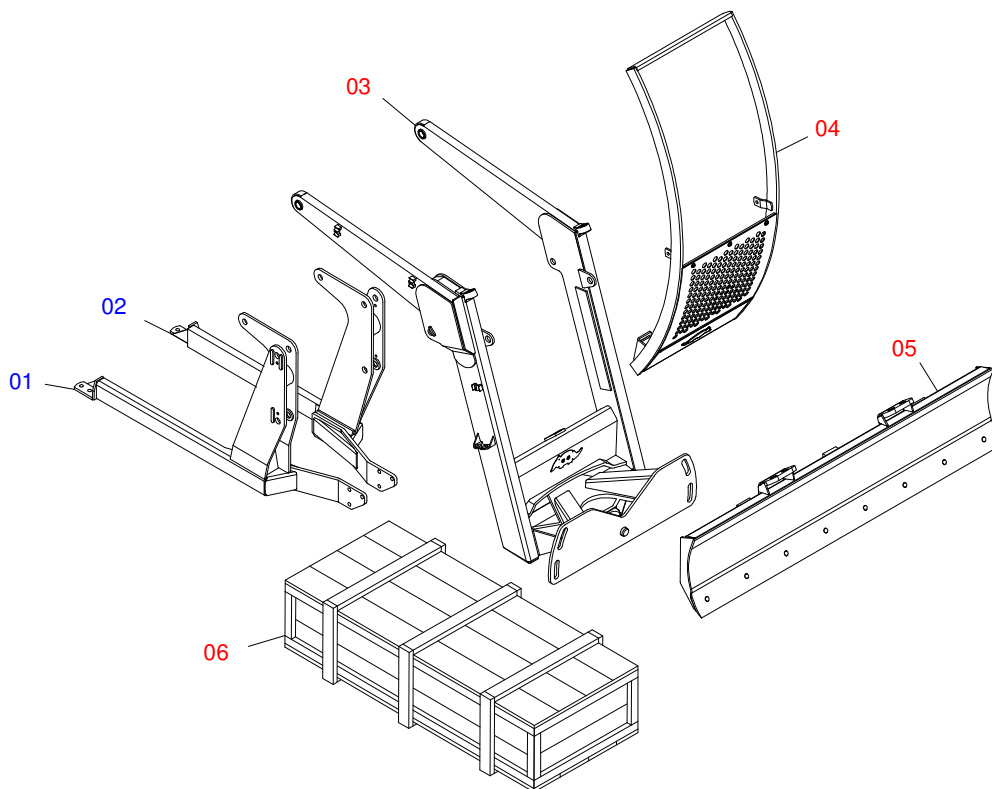
Code	Description
0106030388	PD MF 4265/75/83-4 BT SC GAL S-0710

## ATTENTION: **IMPORTANT**

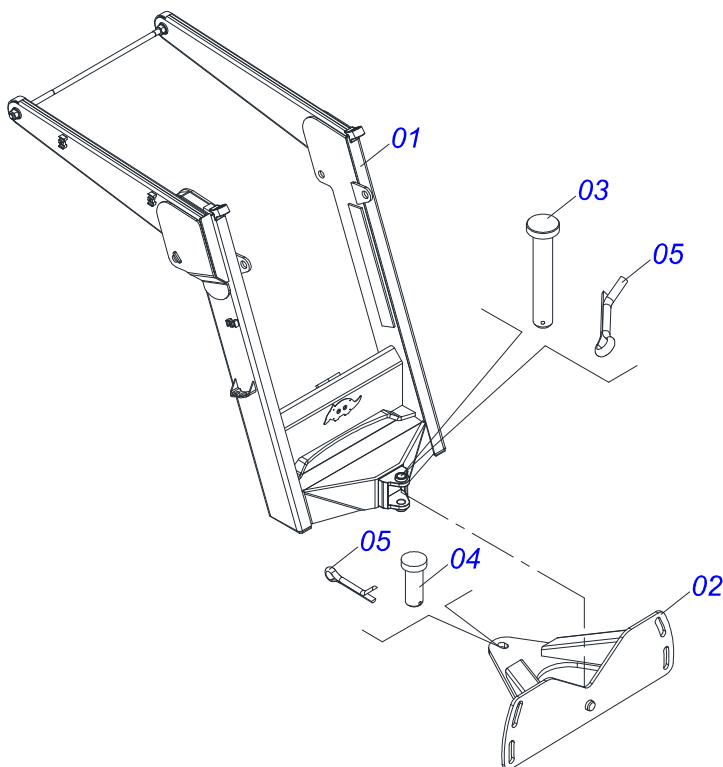
MARCHESAN S/A RESERVES THE RIGHT AT ANY TIME TO MAKE IMPROVEMENTS IN THE DESIGN, MATERIAL OR SPECIFICATIONS OF MACHINERY, EQUIPMENT OR PARTS WITHOUT THEREBY BECOMING LIABLE TO MAKE SIMILAR CHANGES IN MACHINERY, EQUIPMENT OR PARTS PREVIOUSLY SOLD.

# INDEX

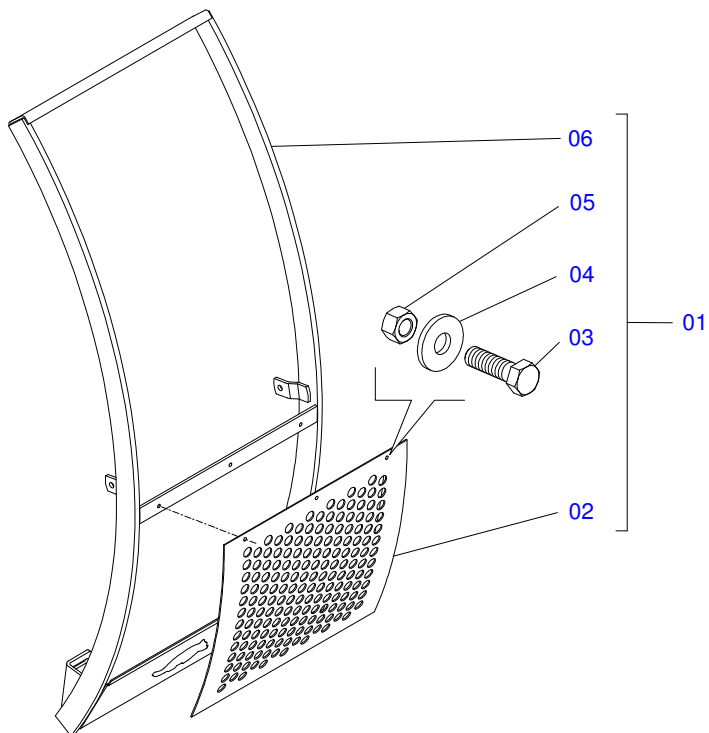
0106030388	PD MF 4265/75/83-4 BT SC GAL	.....	1
0511049953	MOBILE FULL SUPPORT PD VTR A950	.....	2
0511049956	MOBILE SUPPORT GUIDE ASSY	.....	3
0501047708	2400 BLADE SUPPORT	.....	4
0511025305	COMPONENTS BOX - PD MF 4275/4283-4 BT SC	.....	5
0501046992	HYDRAULIC CYLINDER	.....	6
0501046993	HYDRAULIC CYLINDER	.....	7
0501059955	SET OF HOSES - PD MF BT 4275/4283-4	.....	8
0501038015	PACKAGED PARTS - PD MF BT 4275/4283-4	.....	9
0501053834	QUICK CONECTION (MALE) 1/2	.....	10



Item	Code	Description	QT
01	0521061632	RIGHT FRAME - BT PD MF 4275-4 S-0510	01
02	0521061633	LEFT FRAME - PD MF 4275/4291-4 S-0510	01
03	0511049953	MOBILE FULL SUPPORT PD VTR A950	01
04	0511049956	MOBILE SUPPORT GUIDE ASSY	01
05	0501047708	2400 BLADE SUPPORT	01
06	0511025305	COMPONENTS BOX - PD MF 4275/4283-4 BT SC	01

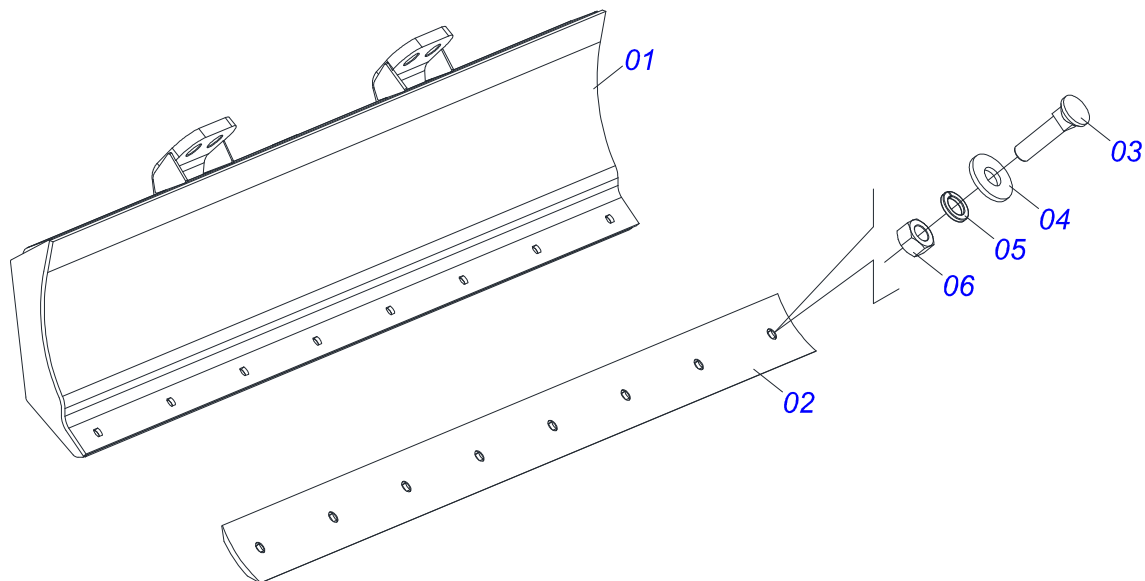


Item	Code	Description	QT
01	0521062701	MOBILE SUPPORT - PD VTR A950	01
02	0501062637	5/8" REGULATOR SUPPORT	01
03	0521010618	1.4" X 8.6" COUPLING SHAFT	01
04	0521010612	1.4" X 3.5" COUPLING SHAFT	01
05	0503010010	1/4" X 2.1/2" COTTERPIN	02

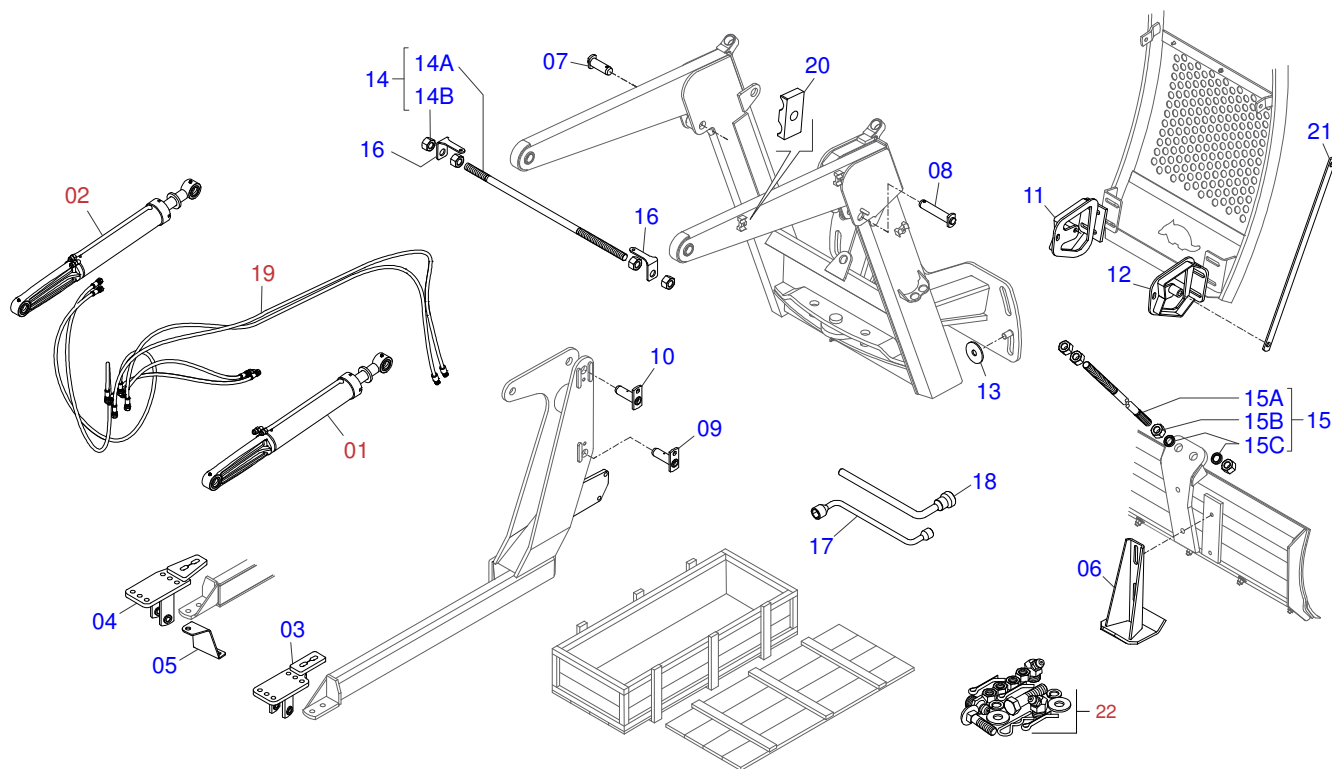


Item	Code	Description	QT
01	0511049956	MOBILE SUPPORT GUIDE ASSY	01
02	0501017431	FRONT PROTECTION	01
03	0503010751	C3/8" X 1.1/4" HEX BOLT G.5	03
04	0501010984	FLAT WASHER	03
05	0503010026	3/8" NUT	03
06	0521062696	GUIDE SUPPORT MOBILE	01

2400 BLADE SUPPORT



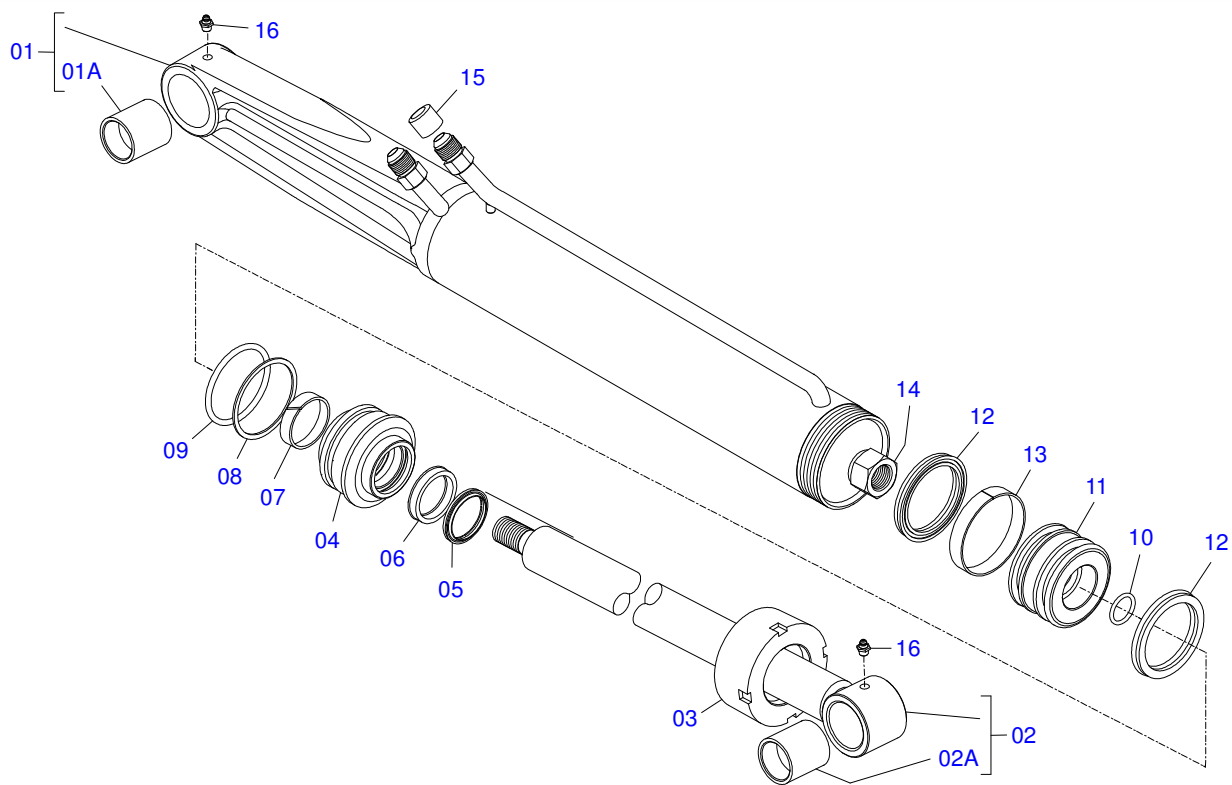
Item	Code	Description	QT
01	0501067999	2390 BLADE SUPPORT	01
02	0622360016	94.5" SCRAPER REVERSIBLE	01
03	0501012240	5/8" X 2-1/2" BOLT	08
04	0501012140	FLAT WASHER	08
05	0503011445	SPRING WASHER	08
06	0503010013	5/8" NUT	08



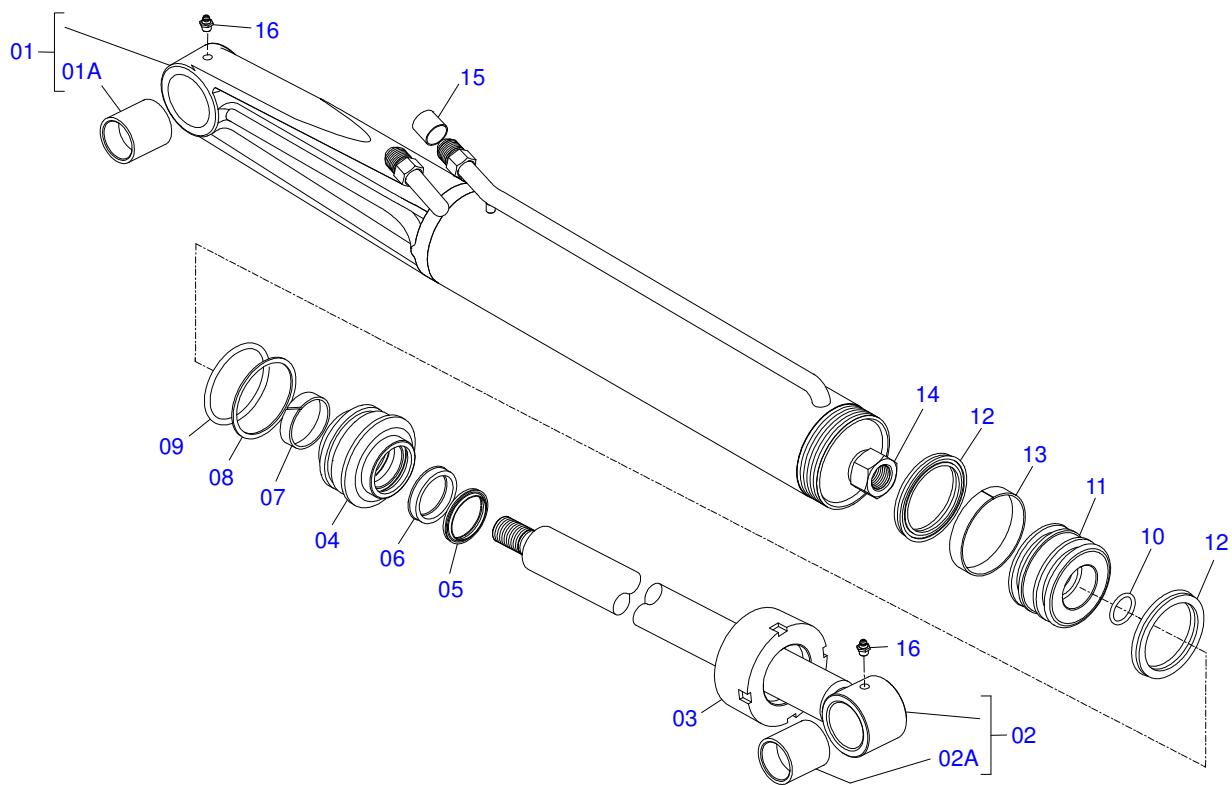
Item	Code	Description	QT
01	0501046992	HYDRAULIC CYLINDER	01
02	0501046993	HYDRAULIC CYLINDER	01
03	0521061641	FRAME BRACKET	01
04	0521063770	LH BRACKET	
05	0561016418	SUPPORT TANK OIL	01
06	0501063411	ESTABILIZER BRACKET	02
07	0521063354	COUPLING SHAFT	01
08	0521063358	37,20 X 161 JOINT AXIS - PD VTR A950	01
09	0501063960	37,2 X 130 PIVOT SHAFT LOCK	02
10	0501063751	1.5" X 5.5" PIVOT SHAFT	02
11	0521061644	LEFT GUIDE MOVEL SUPPORT - PD MF 4292-4	01
12	0521061643	MOBILE SUPPORT RIGHT GUIDE - PD MF 4292-4	01
13	0501010574	FLAT WASHER	04
14	0511043351	1.1/4" X 40" ROD	01
14A	0541015018	ROD 1.1/4 NC X 1000 PCA-T 1750	01
14B	0501010087	1.1/4" NUT	04
15	0501041427	1.1/4" NC X 1540 ROD	02
15A	0501014250	1.1/4" X 1540 ROD	01
15B	0502012180	CONICAL SPRING WASHER	02
15C	0501010087	1.1/4" NUT	04
16	0561010051	HEADLIGHT SUPPORT - PCA MF 291/4 ADV 2008	02
17	0501068213	5/8" WRENCH DOUBLE	01
18	0501061617	1" GANG BOLT WRENCH	01
19	0501059951	SET OF HOSES - PD MF SHT 4275/4283-4	01
20	0502012702	BODY SUPPORT CLAMP	03
21	0521063340	ANGULAR SUPPORT WITH SLEEVE - PD	02
22	0501038015	PACKAGED PARTS - PD MF BT 4275/4283-4	01



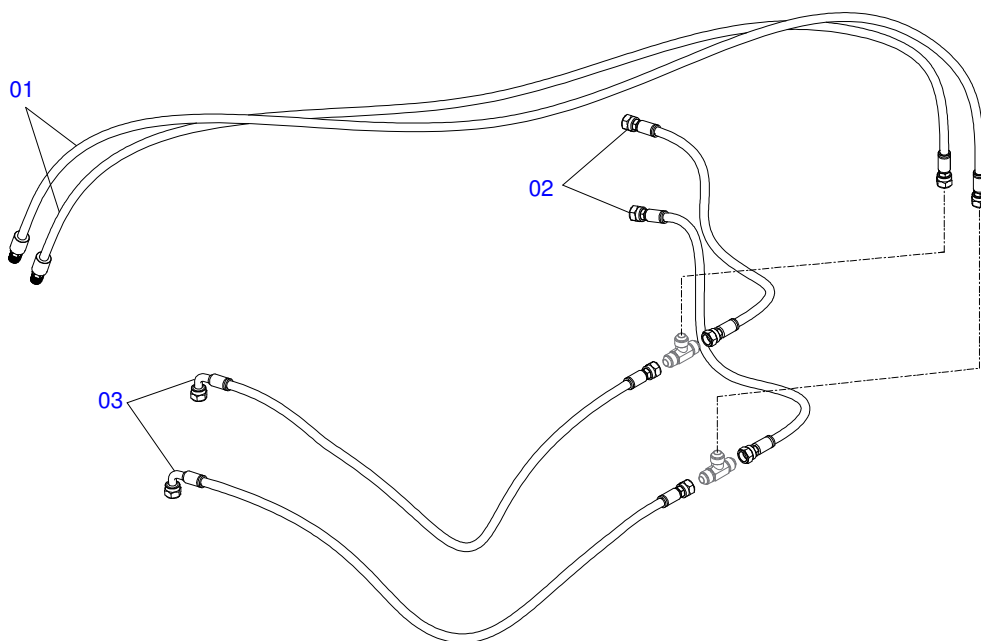
HYDRAULIC CYLINDER



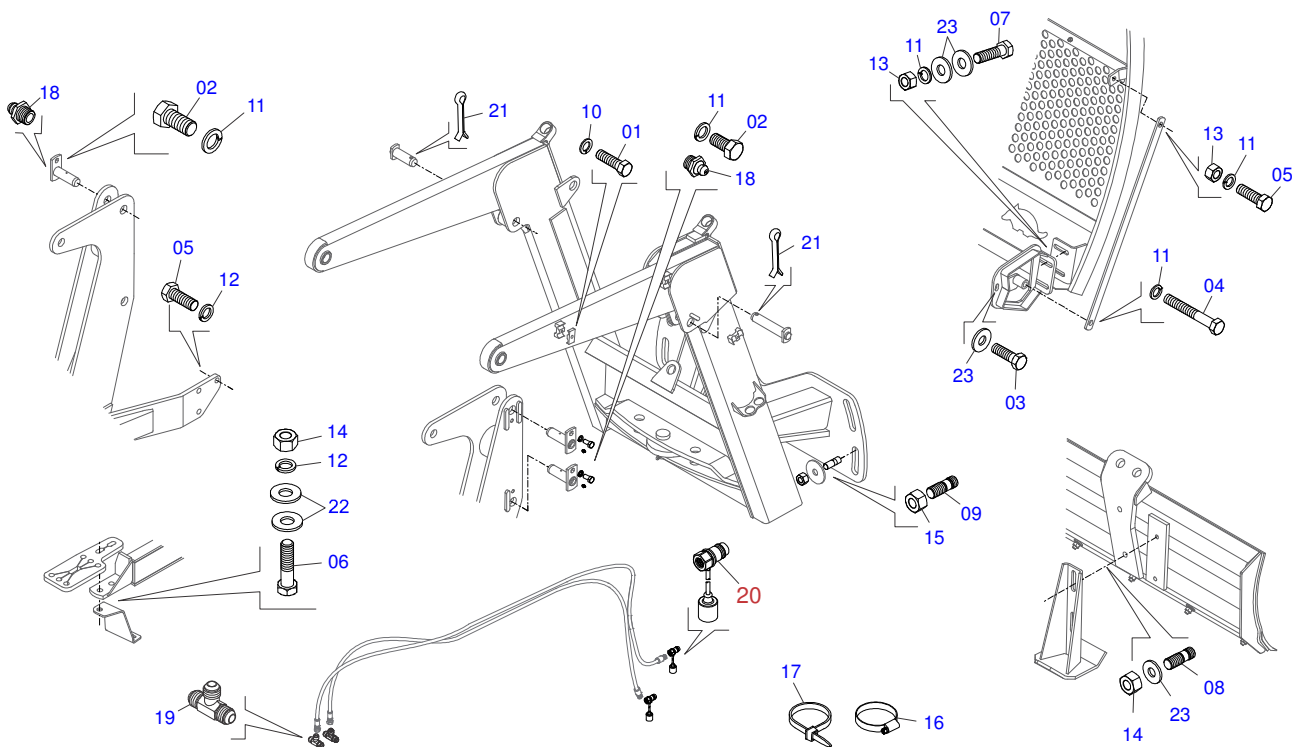
Item	Code	Description	QT
01	0501068206	RIGHT 85,72 X 855 CYLINDER CASE	01
01A	0521010514	38,1 X 52,9 X 50 SLEEVE INTER	01
02	0501068208	44,45 X 670 TURNBUCKLE	01
02A	0521010514	38,1 X 52,9 X 50 SLEEVE INTER	01
03	0502010993	DETACHABLE COVER	01
04	0502010781	RING SUPPORT	01
05	0503010761	D-1750 SCRAPER RING	01
06	0503010990	GASKET	01
07	0503010949	W2-2000-500 PK RING G.E	01
08	0503011060	8-336 BACK-UP RING	01
09	0503010976	2-336 N 3006-9B O'RING	01
10	0503010042	2-214 N 3006-9B O'RING	01
11	0502010843	1.8" X 3.4" PISTON	01
12	0503010170	PACKING 3120 2750	02
13	0503010948	W4-3346-590 PK RING G.E	01
14	0503010063	1" SELF-ALIGNING NUT	01
15	0503030387	PLUG	02
16	0503010002	1800 GREASE FITTING	02



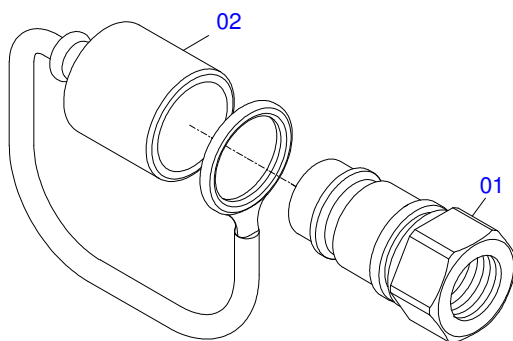
Item	Code	Description	QT
01	0501068207	LEFT 85,72 X 855 CYLINDER CASE	01
01A	0521010514	38,1 X 52,9 X 50 SLEEVE INTER	01
02	0501068208	44,45 X 670 TURNBUCKLE	01
02A	0521010514	38,1 X 52,9 X 50 SLEEVE INTER	01
03	0502010993	DETACHABLE COVER	01
04	0502010781	RING SUPPORT	01
05	0503010761	D-1750 SCRAPER RING	01
06	0503010990	GASKET	01
07	0503010949	W2-2000-500 PK RING G.E	01
08	0503011060	8-336 BACK-UP RING	01
09	0503010976	2-336 N 3006-9B O'RING	01
10	0503010042	2-214 N 3006-9B O'RING	01
11	0502010843	1.8" X 3.4" PISTON	01
12	0503010170	PACKING 3120 2750	02
13	0503010948	W4-3346-590 PK RING G.E	01
14	0503010063	1" SELF-ALIGNING NUT	01
15	0503030387	PLUG	02
16	0503010002	1800 GREASE FITTING	02



Item	Code	Description	QT
01	0501080305	1/2 X 2450 TR-TM HOSE	02
02	0501080062	1/2 X 2000 TR-TC HOSE	02
03	0501080195	HOSE 1/2 X 950	02



Item	Code	Description	QT
01	0503012555	7/16" X 2" BOLT	03
02	0503010962	5/8" X 1-1/4" BOLT	04
03	0501010100	5/8 UNC X 2 C S G.5 BOLT	08
04	0501010163	5/8" X 4-1/2" BOLT	02
05	0501010098	HEX BOLT 3/4 UNC X 2 C S G.5 ZN	06
06	0501010500	3/4"X3"BOLT	04
07	0503010233	5/8" X 2-1/2" BOLT	02
08	0561016756	3/4 UNC X 3/4 UNC X 56 PRISONER	04
09	0561016755	PRISONER 1 UNC X 1 UNC X 76 ZN	04
10	0503010180	7/16" SPRING WASHER	03
11	0503010027	SPRING WASHER	14
12	0503010023	SPRING WASHER	12
13	0503010013	5/8" NUT	08
14	0503010014	3/4" NUT	08
15	0501010059	1.5/8 NUT	04
16	0503010246	CLAMP	02
17	0503013100	NYLON CLAMP	05
18	0503010002	1800 GREASE FITTING	08
19	0503013493	T CONNECTION MALE	02
20	0501053834	QUICK CONECTION (MALE) 1/2	02
21	0503010534	3/8 X 2-1/2 COTTERPIN	02
22	0501010322	FLAT WASHER	12
23	0501012140	FLAT WASHER	12



Item	Code	Description	QT
01	0503011627	QUICK CONNECTION (MALE) AGR 1/2 NPT	01
02	0503011882	QUICK CONNECTION COVER	01





**MARCHESAN IMPLEMENTOS E MÁQUINAS AGRÍCOLAS TATU S.A.**

AV. Marchesan, 1979 - Post office box, 131 - CEP 15994-900 - Matão - SP - Brazil

Phone +55 16.3382-8282

(FAX Parts) + 55 16.3382. 8297 - (Export) + 55 16.3382.1003

e.mail: [tatu@marchesan.com.br](mailto:tatu@marchesan.com.br) [www.marchesan.com.br](http://www.marchesan.com.br)

**Technical Publications: Elaboration**

ALESSANDRA PATRICIA KAWAHARA CARRILI

**Technical Publications: Revision**

JOÃO VIRGINIO ROCHA

*Contact Catálogo:*

*E-mail = [jgaspari@marchesan.com.br](mailto:jgaspari@marchesan.com.br)*

**ORIGINAL PARTS  
TATU**

