

**HINGE TYPE OFFSET DISK HARROW**

**GNCRP - 32/36/40/44/48/52/56/60D**

**Code:** 0501091498

**Series:** S-0109

**Revision:** 00

**Date Revision:** JANEIRO/2023

# PARTS CATALOGUE



**MARCHESAN**



# PRODUCTS

Code	Description
0102510019	GNCRP 32 22X4,5 DR PN 6,50X16 S-0109
0102510001	GNCRP 32 22X4,5 MT PN 6,50X16 S-0109
0102510002	GNCRP 36 22X4,5 MT PN 6,50X16 S-0109
0102510009	GNCRP 36 20X3,5 DR PN 6,50X16 S-0109
0102510011	GNCRP 36 22X4,5 MT PN 11L/15 S-0109
0102510002C	GNCRP 36X22X4,5 MT DM E 1.1/2 PN6,50X16 EXP S-0109
0102510013	GNCRP 40 22X4,5 MT PN 11L15 S-0109
0102510003	GNCRP 40 22X4,5 MT PN 6,50X16 S-0109
0102510012	GNCRP 40 22X4,5 MT PN 7,5X16 S-0109
0102510004	GNCRP 44 22X4,5 MT PN 7,50X16 S-0109
0102510014	GNCRP 44 2X4,5 DR PN 11L15 S-0109
0102510015	GNCRP 48 22X4,5 MT PN 11L15 S-0109
0102510005	GNCRP 48 22X4,5 MT PN 7.50X16 S-0109
0102510016	GNCRP 52 22X4,5 MT PN 11L15 S-0109
0102510006	GNCRP 52 22X4,5 MT PN 7,50X16 S-0109
0102510017	GNCRP 56 22X4,5 MT PN 11L15 S-0109
0102510007	GNCRP 56 22X4,5 MT PN 7,50X16 S-0109
0102510018	GNCRP 60 22X4,5 MT PN 11L15 S-0109
0102510008	GNCRP 60 22X4,5 MT PN 7,50X16 S-0109

## ATTENTION: IMPORTANT

Marchesan S.A. reserves the right to improve and/or modify the technical features of its products, without obligation to do the same with those products already sold and without prior knowledge of the dealer or the customer. The photos are only illustrative.



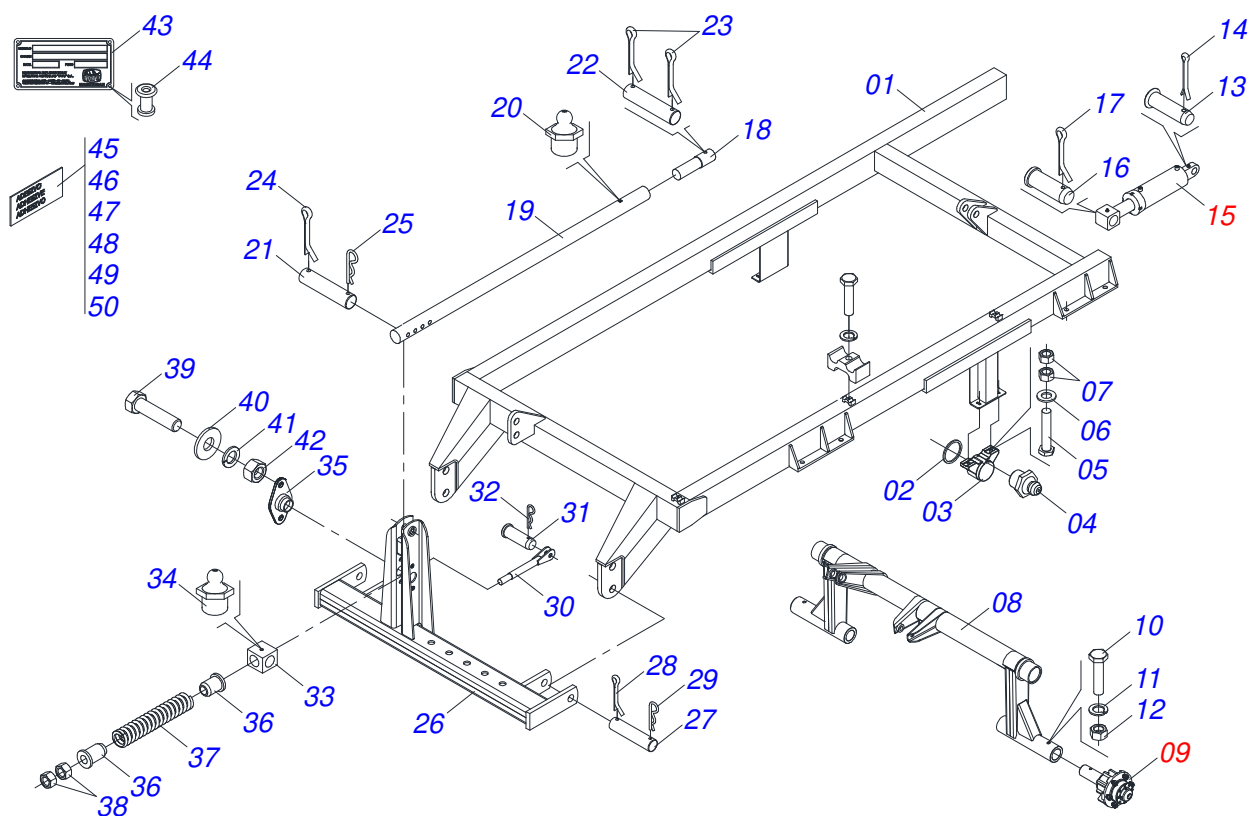
**MARCHESAN**

# INDEX

0909091732	FRAME ASSY - 32/36/40/44/48/52/56/60D	.....	1
0521040393	FRAME ASSY - 32/36/40 D	.....	2
0521040704	FRAME ASSY - 44/48/52/56/60 D	.....	3
0503060621	WHEEL ASSEMBLY CR 6.50 X 16/6TA	.....	4
0503061898	WELL AND TIRE ASSY	.....	5
0503060091	L29.5"X0.63"-10L WHEEL AND	.....	6
0501054832	WHEEL HUB CR 20M	.....	7
0501048743	HYDRAULIC CYLINDER	.....	8
0501054501	WHEEL HUB	.....	9
0511058408	HYDRAULIC CYLINDER	.....	10
0511049366	AXLE ASSY - 32/36/40 D	.....	11
0511050185	AXLE WITH HOOK ASSY HITCH - 44/48/52/56/60 D	.....	12
0501053834	MALE QUICK COUPLER	.....	13
0909091402	GANG DISC - 32/36/40/44/48/52/56/60D	.....	14
0511040472	AGRICULTURAL BEARING	.....	15



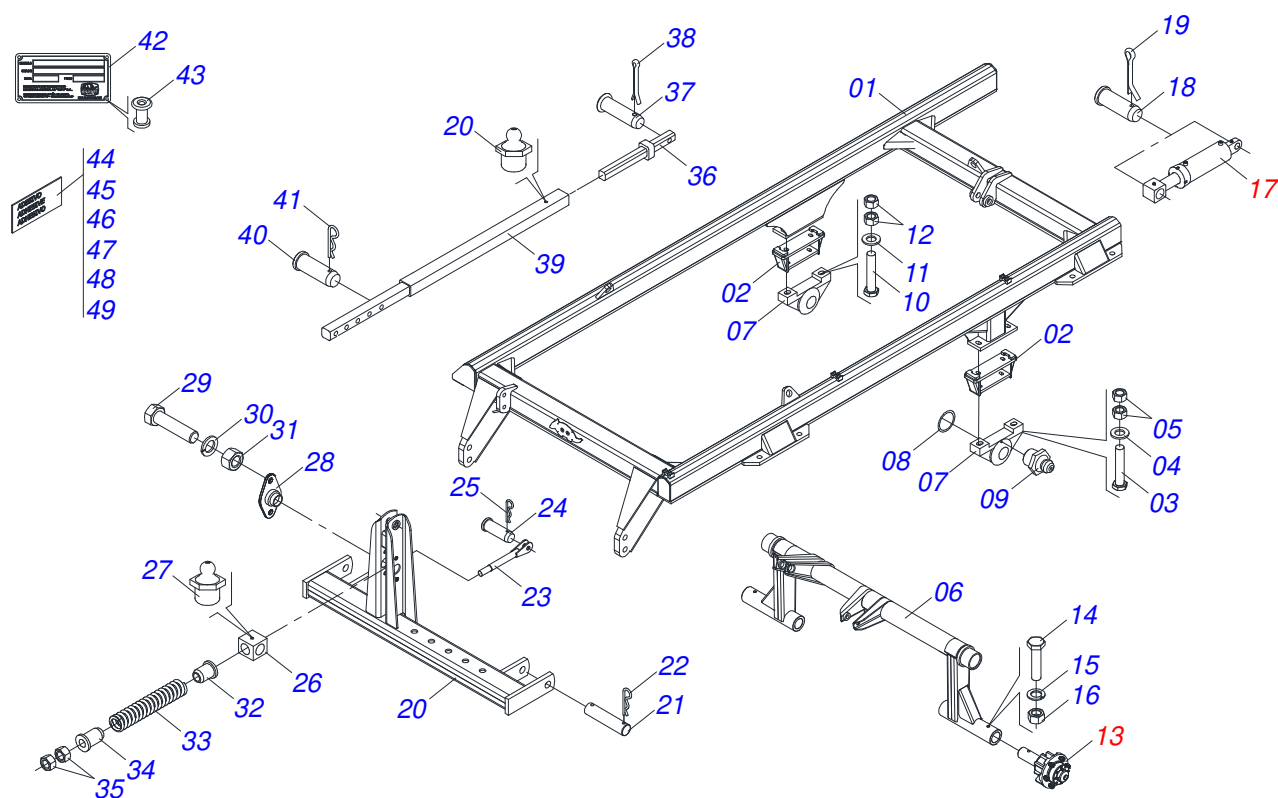




Item	Code	Description	See page	QT
01	0521064385	FRAME 32 A 42 P GNCR		01
02	0503012223	FELT RING		02
03	0502011583	BEARING AXLE		02
04	0503010002	1800 GREASE FITTING		02
05	0503010901	3/4UNC 3.1/2 BOLT		04
06	0521013710	WASHER SEMIMAN		04
07	0503012183	SNC 3/4" ZIN 1K03097 NUT		08
08	0511060444	WHEEL AXLE GNCF		01
09	0501054832	WHEEL HUB CR 20M	7	02
10	0503010547	1/2" X 4" BOLT		02
11	0503010019	1/2" SPRING WASHER		02
12	0503010060	1/2 UNC G.5 ZN HEX NUT		02
13	0521010545	1.2" X 5.1" COUPLING SHAFT		01
14	0503010048	1/4" X 1.3/4" COTTERPIN		02
15	0501048743	HYDRAULIC CYLINDER	8	01
16	0521013904	PIN WITH HEAD PN-029		01
17	0503010048	1/4" X 1.3/4" COTTERPIN		01
18	0511060257	EXTENSION		01
19	0511060408	STABILIZER BAR		01
20	0503010002	1800 GREASE FITTING		01
21	0521013840	PIN SEM HEAD PN-064		01
22	0521013839	WITHOUT HEADS PIN		01
23	0503010577	3/16" X 1-1/4" COTTERPIN		02
24	0503010362	1/8 X 1.1/4 COTTERPIN		01
25	0503031464	TM 211 X 3,0 STAPLE		01
26	0511060446	DRAWBAR ASSY		01
27	0521013841	WITHOUT HEADS PIN PN-078 TRACTION		02
28	0503010038	3/16 X 2 COTTERPIN		02
29	0503031470	TM 251 X 4,0 STAPLE		02
30	0511060258	GVMF 30119N RIGTH JACK		01
31	0521013838	PIN WITH HEAD ROD PN-004		01



Item	Code	Description	See page	QT
32	0503031470	TM 251 X 4,0 STAPLE		01
33	0502011616	CROSSPIECE		01
34	0503010002	1800 GREASE FITTING		01
35	0502011615	SUPPORT CROSS		02
36	0502011582	SPINDLE GUIDE		02
37	0503031497	SPINDLE SNC		01
38	0503012182	1" NUT		02
39	0503010920	1/2 UNC X 1.1/2 C S G.5 ZN BOLT		04
40	0501010984	FLAT WASHER 10,50 X 27 X 3,00		04
41	0503010019	1/2" SPRING WASHER		04
42	0503010060	1/2 UNC G.5 ZN HEX NUT		04
43	0503034003	SERIAL NUMBER TAG 61 X 118		01
44	0503010001	3.2 X 5.5 RIVET		04
45	0503031087	ADHESIVE LABEL		01
46	0503031428	READ MANUAL DECAL		01
47	0503031738	ADHESIVE LABEL		01
48	0503033038	DANGER SIGN		02
49	0503062027	GNCRP ADHESIVE LABEL SET		01
50	0503031739	ADHESIVE LABEL		01

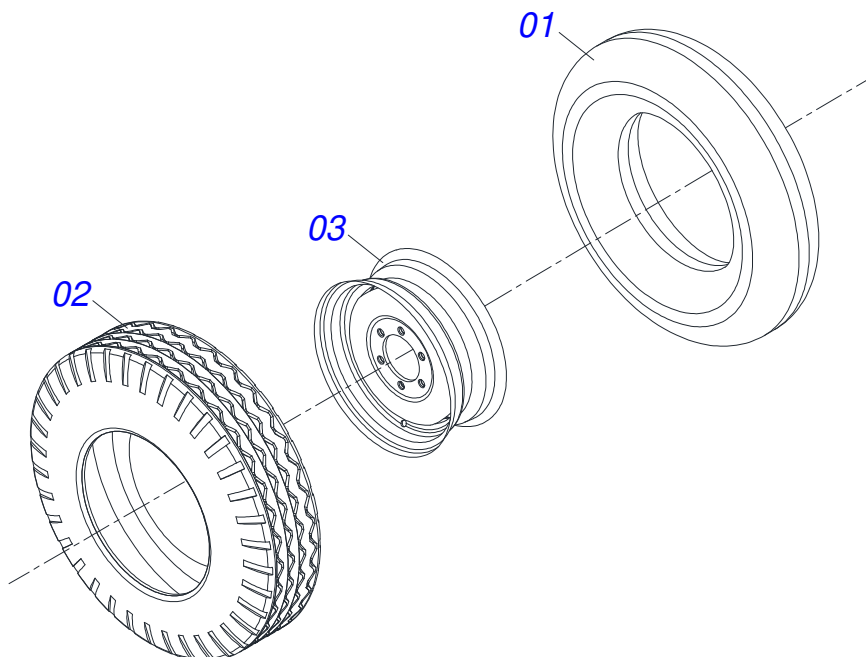


Item	Code	Description	See page	QT
01	0521064383	FRAME		01
02	0501076108	COMPLEMENT BEARING		02
03	0503010901	3/4UNC 3.1/2 BOLT		04
04	0521013710	WASHER SEMIMAN		04
05	0503012183	SNC 3/4" ZIN 1K03097 NUT		08
06	0511066608	WHEEL AXLE		01
07	0502011583	BEARING AXLE		02
08	0503012223	FELT RING		02
09	0503010002	1800 GREASE FITTING		02
10	0503010901	3/4UNC 3.1/2 BOLT		04
11	0521013710	WASHER SEMIMAN		04
12	0503012183	SNC 3/4" ZIN 1K03097 NUT		08
13	0501054501	WHEEL HUB	9	02
14	0501010163	5/8" X 4-1/2" BOLT		02
15	0503010027	5/8" SPRING WASHER		02
16	0503010013	5/8" NUT		02
17	0511058408	HYDRAULIC CYLINDER	10	01
18	0521010546	1.2" X 5.7" COUPLING SHAFT		02
19	0503010010	1/4" X 2.1/2" COTTERPIN		02
20	0511066582	DRAWBAR ASSY		01
21	0521010546	1.2" X 5.7" COUPLING SHAFT		02
22	0503031470	TM 251 X 4,0 STAPLE		02
23	0511060258	GVMF 30119N RIGTH JACK		01
24	0521013838	PIN WITH HEAD ROD PN-004		01
25	0503031464	TM 211 X 3,0 STAPLE		01
26	0502011616	CROSSPIECE		01
27	0503010002	1800 GREASE FITTING		01
28	0502011615	SUPPORT CROSS		02
29	0503010920	1/2 UNC X 1.1/2 C S G.5 ZN BOLT		04
30	0503010019	1/2" SPRING WASHER		04
31	0503010060	1/2 UNC G.5 ZN HEX NUT		04

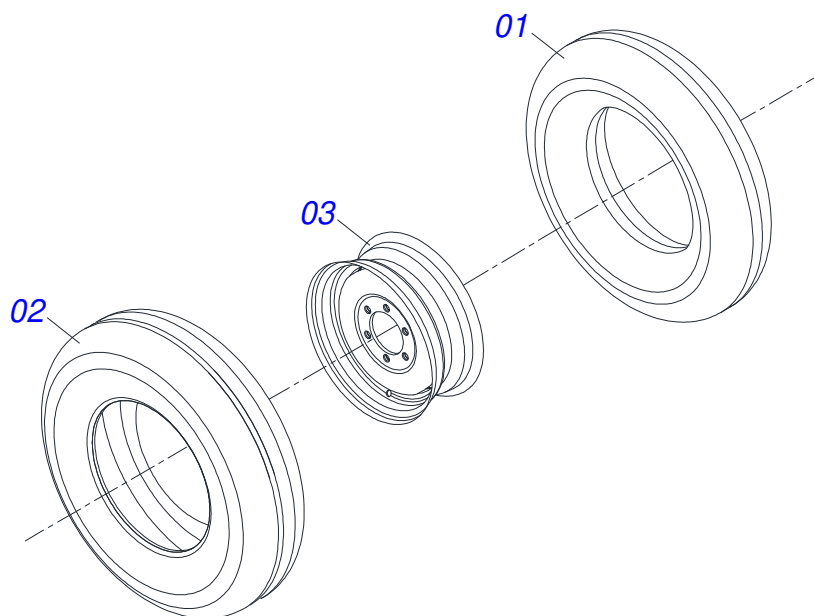




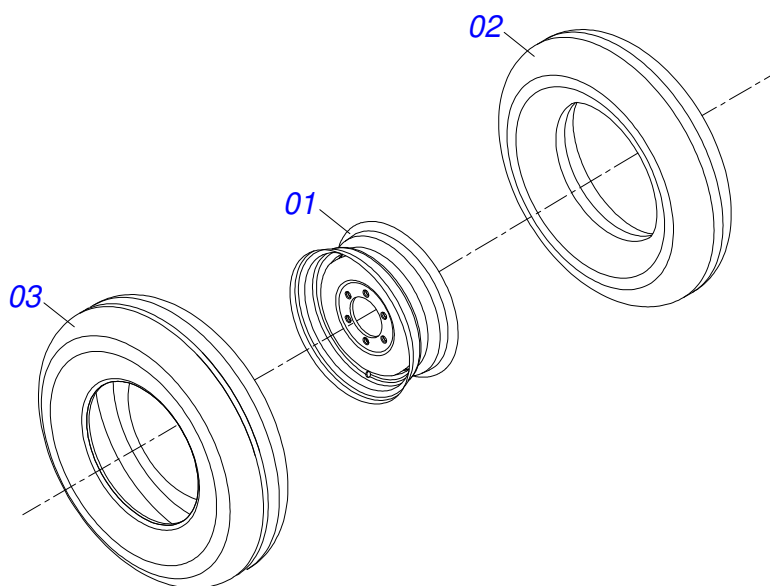
Item	Code	Description	See page	QT
32	0502011582	SPINDLE GUIDE		01
33	0503031497	SPINDLE SNC		01
34	0502011582	SPINDLE GUIDE		01
35	0503012182	1" NUT		02
36	0511060322	EXTENSION		01
37	0521010580	COUPLING SHAFT		01
38	0503010038	3/16 X 2 COTTERPIN		01
39	0511066584	STABILIZER BAR		01
40	0521014529	PIN WITH HEAD PN- 005		01
41	0503031479	STAPLE		01
42	0503034003	SERIAL NUMBER TAG 61 X 118		01
43	0503010001	3.2 X 5.5 RIVET		04
44	0503031428	READ MANUAL DECAL		01
45	0503033038	DANGER SIGN		02
46	0503031738	ADHESIVE LABEL		01
47	0503062027	GNCRP ADHESIVE LABEL SET		01
48	0503031087	ADHESIVE LABEL		01
49	0503031739	ADHESIVE LABEL		01



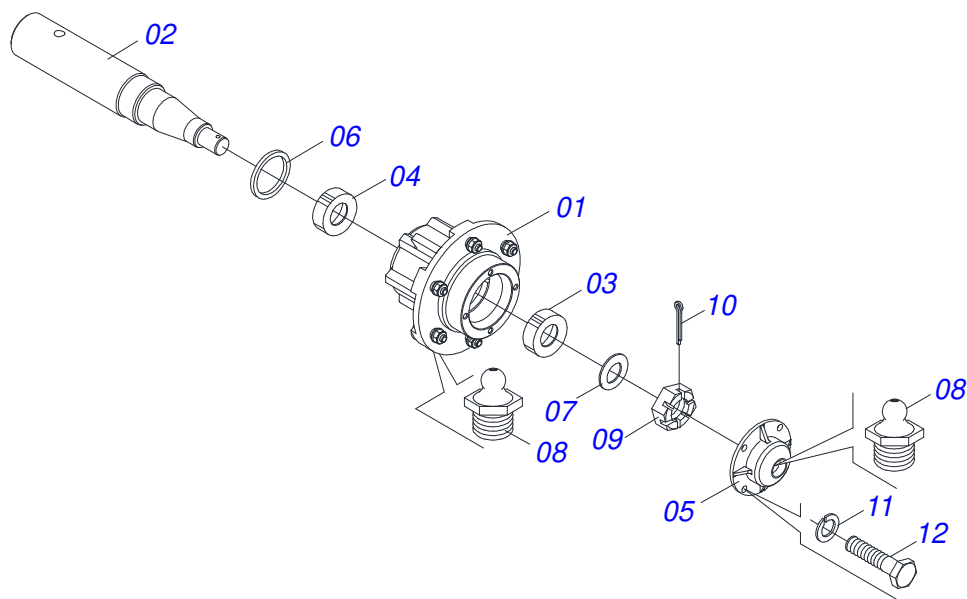
Item	Code	Description	See page	QT
01	0503010694	INNER TIRE		01
02	0503012468	TIRE 6 PLY 6,50 X 16 SHIPPING		01
03	0503010894	0.2\"X0.6\"X4.6\"X6F0.6\"X6\" WHEEL		01



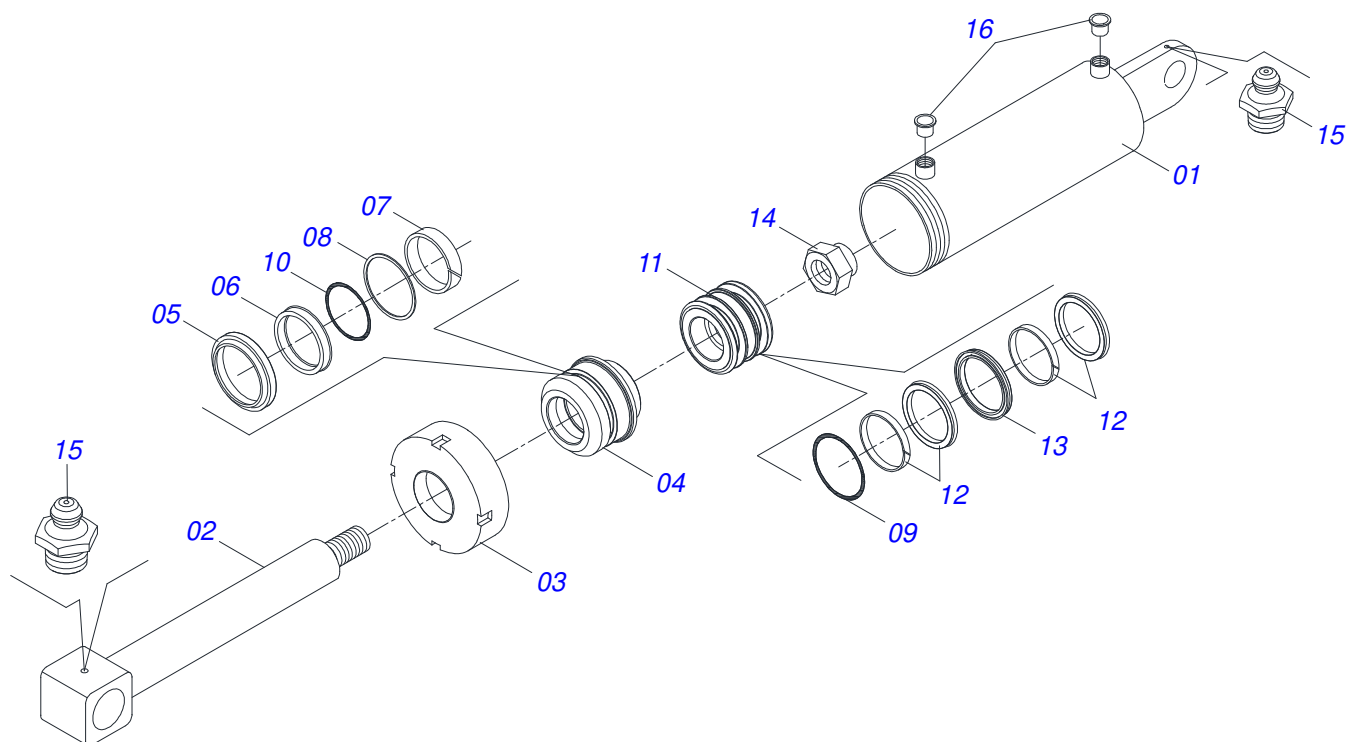
Item	Code	Description	See page	QT
01	0503010860	AIR CHAMBER 11L 15		01
02	0503011469	RIB TIRE BL - 12L		01
03	0511064944	WHEEL CR 30635/2-L15 4181569		01



Item	Code	Description	See page	QT
01	0503010893	WHEEL		01
02	0503010033	7.50 X 16 INNER TIRE		01
03	0503010120	CANVAS TIRE		01

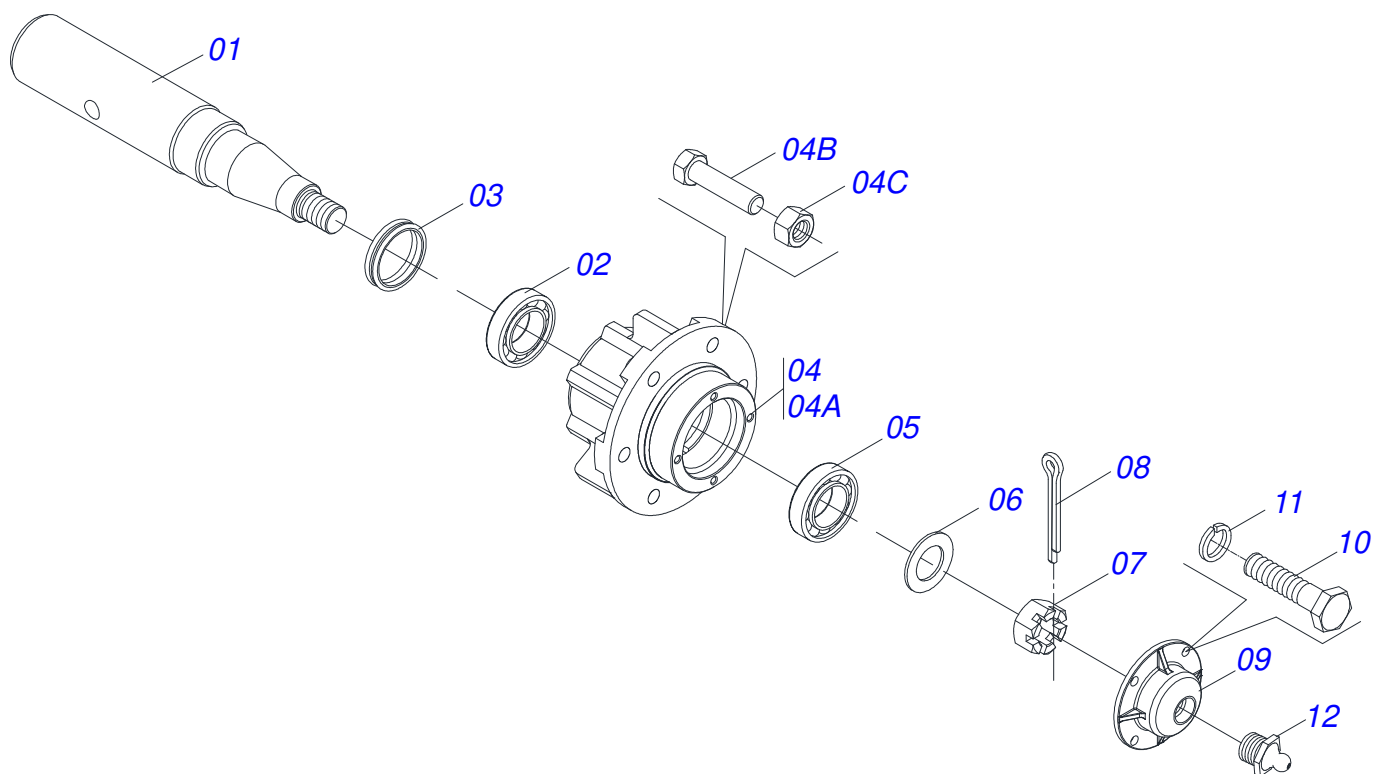


Item	Code	Description	See page	QT
01	0501110728	WHEEL HUB		01
02	0541010160	AXLE CR 20M/1		01
03	0503010037	30207 ROLLER BEARING		01
04	0503010006	32210 ROLLER BEARING		01
05	0502020591	PROTECCION COVER		01
06	0503010084	SEAL		01
07	0501016545	FLAT WASHER		01
08	0503010002	1800 GREASE FITTING		01
09	0503030009	1" CASTLE NUT		01
10	0503010018	5/32 X 1-1/2 COTTERPIN		01
11	0503011444	SPRING WASHER		04
12	0503010358	5/16" X 5/8" BOLT		04

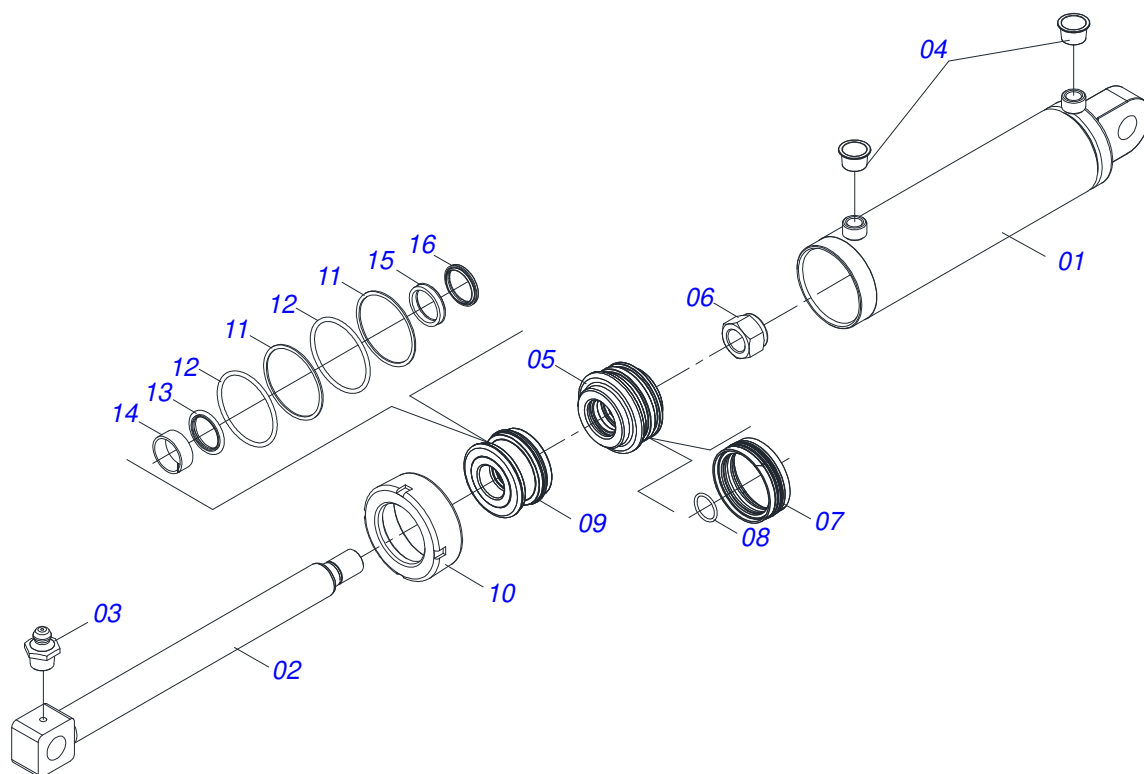


Item	Code	Description	See page	QT
01	0511062366	76,20 X 408 CYLINDER CASE		01
02	0511062367	TURNBUCLE		01
03	0502011899	MOBILE COVER		01
04	0502011897	RING SUPPORT		01
05	0503010761	D-1750 SCRAPER RING		01
06	0503010990	GASKET		01
07	0503010949	W2-2000-500 PK RING G.E		01
08	0503010343	2-334 N 3006-9B O'RING		01
09	0503010042	2-214 N 3006-9B O'RING		01
10	0503011059	8-334 BACK-UP RING		01
11	0502011898	1.8" X 3.0" PISTON		01
12	0503012768	3750-2250 GASKET		02
13	0503010992	W2-3000-500 PK RING G.E		01
14	0503010063	1" SELF-ALIGNING NUT		01
15	0503010002	1800 GREASE FITTING		02
16	0503030384	CON PLUG N-001		02

WHEEL HUB

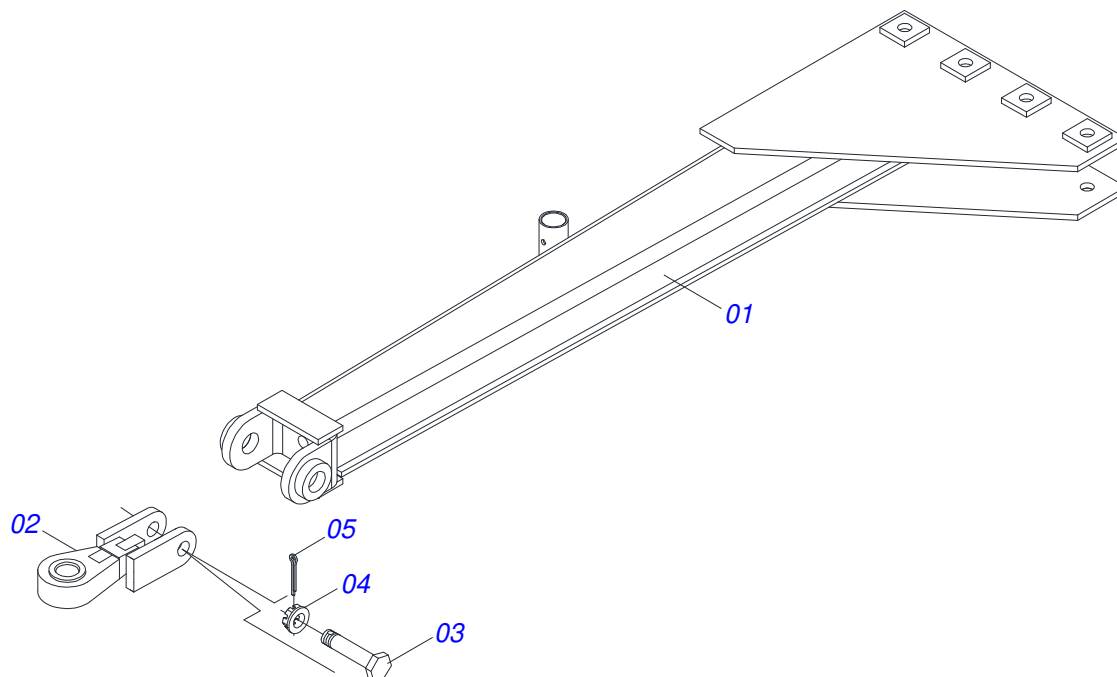


Item	Code	Description	See page	QT
01	0531018161	AXLE		01
02	0503010006	32210 ROLLER BEARING		01
03	0503012928	SEAL		01
04	0501110728	WHEEL HUB		01
04A	0502011121	CARRYING WHEEL HUB		01
04B	0501010127	9/16" X 1-7/8" LUG BOLT		06
04C	0503010035	9/16" CONIC NUT		06
05	0503010037	30207 ROLLER BEARING		01
06	0501016545	FLAT WASHER		01
07	0503030009	1" CASTLE NUT		01
08	0503010018	5/32 X 1-1/2 COTTERPIN		01
09	0502020591	PROTECCION COVER		01
10	0503010358	5/16" X 5/8" BOLT		04
11	0503011444	SPRING WASHER		04
12	0503010002	1800 GREASE FITTING		01

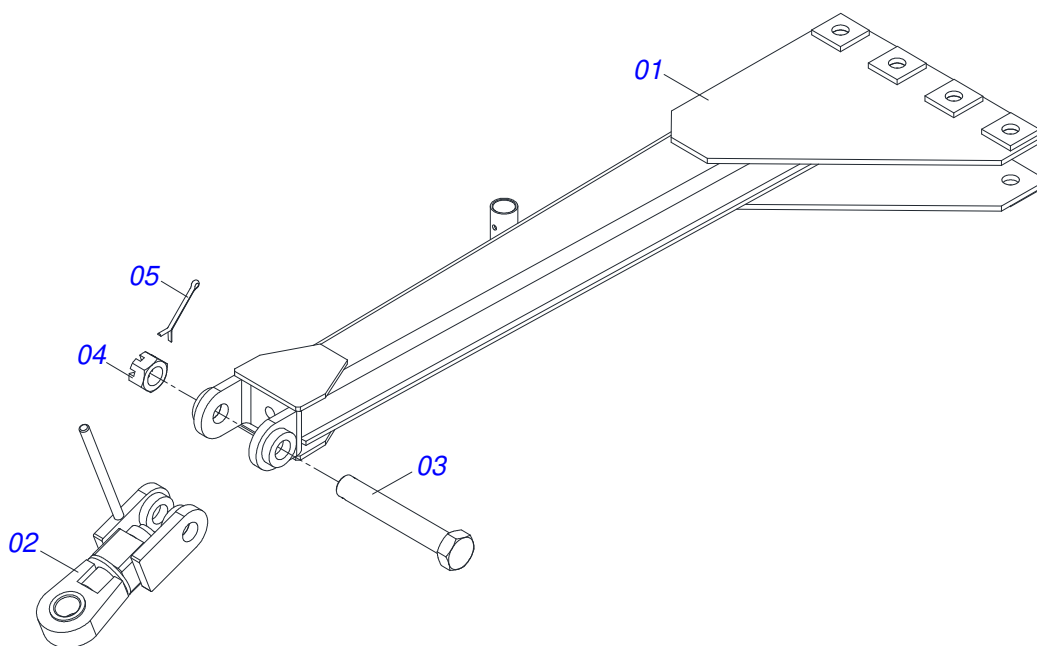


Item	Code	Description	See page	QT
001	0511062246	CYLINDER CASE		01
002	0511062247	TURNBUCLELE		01
003	0503010002	1800 GREASE FITTING		01
004	0503030384	CON PLUG N-001		02
005	0581010837	PISTON		01
006	0503010817	1.1/4" SELF LOCKING NUT		01
007	0503015633	SELEMASTER SEALING		01
008	0503018029	2-217 O-RING		01
009	0581010302	RING OF SUPPORT		01
010	0502012822	101.60 END CAP		01
011	0503011061	8-342 BACK-UP RING		02
012	0503010338	2-342 N 3006-9B O-RING		02
013	0503017936	RING		01
014	0503017938	RING GUIDE		01
015	0503017937	GASKET		01
016	0503010761	D-1750 SCRAPER RING		01

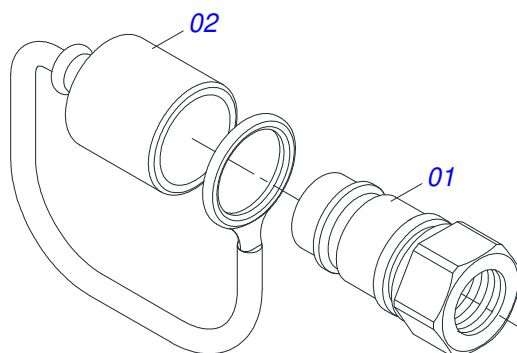




Item	Code	Description	See page	QT
01	0511060256	AXLE ASSY		01
02	0521047594	HITCH FIXED WITH TRACTOR		01
03	0521013837	BOLT		01
04	0503013026	1.1/4" CASTLE NUT		01
05	0503010067	3/16" X 2.1/2" COTTER PIN		01



Item	Code	Description	See page	QT
001	0511066587	DRAWBAR GNCF 522900		01
002	0511063346	HOOK HITCH		01
003	0521013837	BOLT		01
004	0503013026	1.1/4" CASTLE NUT		01
005	0503010067	3/16" X 2.1/2" COTTER PIN		01



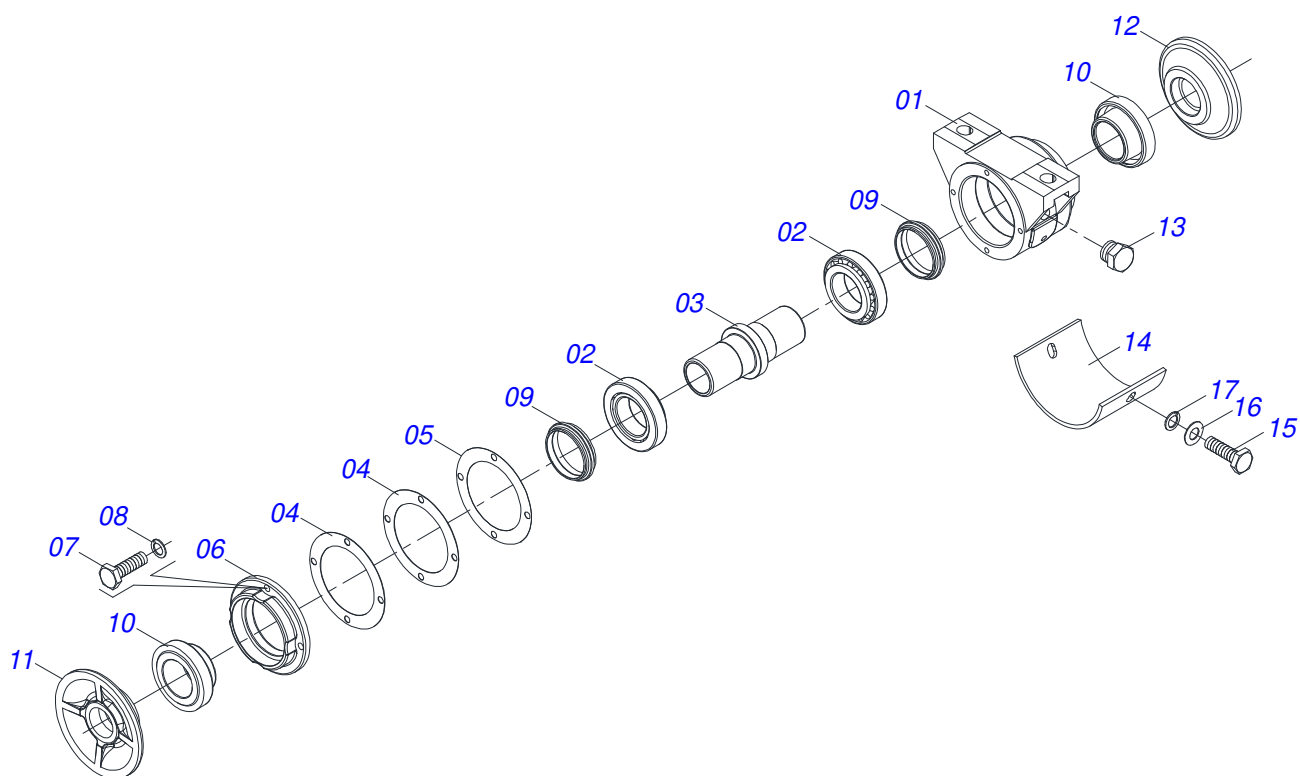
Item	Code	Description	See page	QT
01	0503011627	MALE QUICK COUPLER AGR 1/2 NPT		01
02	0503011882	MALE QUICK COUPLER CAP		01





**GNCRP - 32/36/40/44/48/52/56/60D**  
**GANG DISC - 32/36/40/44/48/52/56/60D**

Item	Code	Description	See page	32	36	40	44	48	52	56	60
14	0521013775	FLAT WASHER		16	16	24	24	24	24	00	00
14.	0521013709	REINFORCING WASHER		00	00	00	00	00	00	16	16
15	0503012246	5/8" X 2-3/4" BOLT		16	16	24	24	24	24	24	32
16	0503010129	5/8" NUT		32	32	48	48	48	48	48	64
17	0503010237	3/8" X 1" BOLT		08	08	08	08	08	08	08	08
18	0503010025	3/8" SPRING WASHER		08	08	08	08	08	08	08	08
19	0501010984	FLAT WASHER 10,50 X 27 X 3,00		08	08	08	08	08	08	08	08
20	0601029206	DL22X6 C63AF02FR42,86 ROME		32	36	40	44	48	52	56	60
21	0602029409	22" X 4,5 NOTCHED DISC BLADE		32	36	40	44	48	52	56	60
22	0602027341	DR 20 X 3,5 C57AF02FR1.9/16 10R		32	36	40	44	48	52	56	60



Item	Code	Description	See page	QT
01	0502012014	BODY BEARING		01
02	0503010006	32210 ROLLER BEARING		02
03	0502040514	157,50 / 157,35 AXLE		01
04	0503031730	JOINT SEALING		02
05	0503031729	JOINT SEALING		01
06	0502012015	BEARING COVER		01
07	0503010371	5/16" X 1" BOLT		04
08	0503011444	SPRING WASHER		04
09	0503030026	SEAL LP JB-253		02
10	0502010541	SEAL RETAINER		02
11	0502010604	OUTER FLANGE		01
12	0502010605	INNER FLANGE		01
13	0503010856	OIL PLUG		01
14	0521013857	PLATE PROTECTION		01
15	0503011334	BOLT 3/8 UNC X 3/4 CS G.5 ZN		02
16	0501010984	FLAT WASHER 10,50 X 27 X 3,00		02
17	0503010025	3/8" SPRING WASHER		02





**MARCHESAN**

**Technical Publications | Elaboration and Revision**

JOÃO VIRGINIO ROCHA

[www.marchesan.com.br](http://www.marchesan.com.br)

