

**CHASER BIN**

**DCA2 7500 RD**

**Code:** 0501091497

**Series:** S-0598

**Revision:** 00

**Date Revision:** MAIO/2022

# PARTS CATALOGUE



**MARCHESAN**



# PRODUCTS

Code	Description
0109090025	DCA2 7500 RD S-0598
0109090051	DCA2 7500 RD BITOLA 1800 S-0598
0109090124	DCA2 7500 RD C/DIREC/SUPER RED S598
0109090076	DCA2 7500 RD C/DIRECIONADOR S-0598
0109090045	DCA2 7500 RD EI S-0598
0109090082	DCA2 7500 RD EI DIREC SUP RED S-598
0109090156	DCA2 7500 RD S/PNEU S-0598

## ATTENTION: IMPORTANT

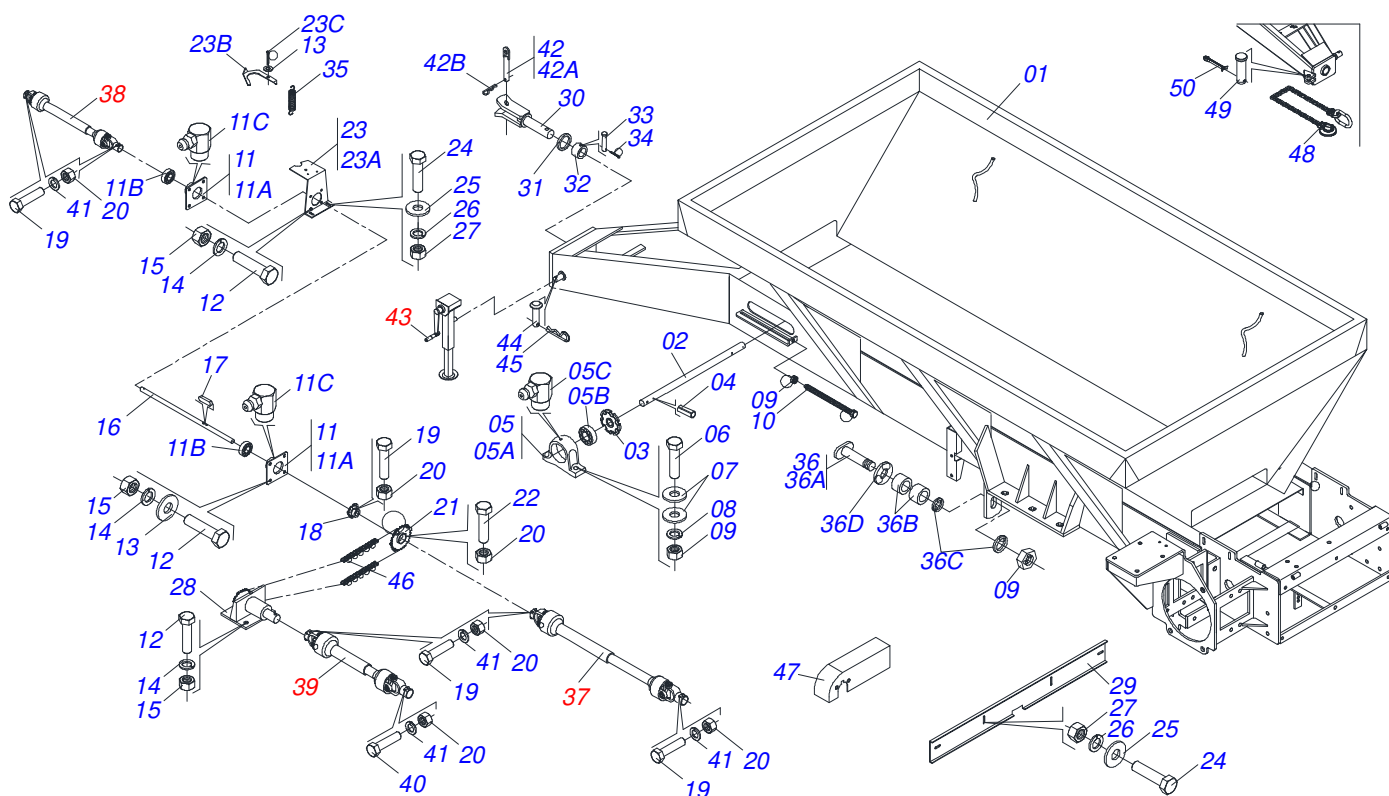
Marchesan S.A. reserves the right to improve and/or modify the technical features of its products, without obligation to do the same with those products already sold and without prior knowledge of the dealer or the consumer. The photos are only illustrative.



**MARCHESAN**

# INDEX

0909093422	FRAME - (FRONT)	.....	1
0909093421	FRAME - (REAR)	.....	2
0501044306	BATH BEARING	.....	3
0501056885	CARDAN LEVER SUPPORT	.....	4
0501047359	CARDAN TRANSMISSION HUB ASSY	.....	5
0501047881	AXIS JOINT ASSY	.....	6
0501047300	DRIVE SHAFT	.....	7
0501047985	REDUCER	.....	8
0501048241	DRIVE SHAFT	.....	9
0501048409	DRIVE SHAFT	.....	10
0501046801	GEAR BOX DISTRIBUTOR	.....	11
0501054846	SLUICE VALVE SUPPORT	.....	12
0501054847	SLUICE VALVE COVER ASSY	.....	13
0909093418	WHEELS ASSY	.....	14
0511044878	DAMPER ASSY DCA2 RD	.....	15
0501046998	CONTROLLER ASSY	.....	16
0511041259	DRAWBAR JACK ASSY	.....	17
0501056429	SET SUPER REDUCTION	.....	18
0909093609	STEEL RUNNING MACHINE	.....	19
0501044308	AGRICULTURAL BEARING ASSY	.....	20
0511048905	TRANSPORTATION MAT	.....	21
0501051972	DISTRIBUTOR RIGHT DISC ASSY	.....	22
0501051973	DISTRIBUTOR LEFT DISC ASSY	.....	23



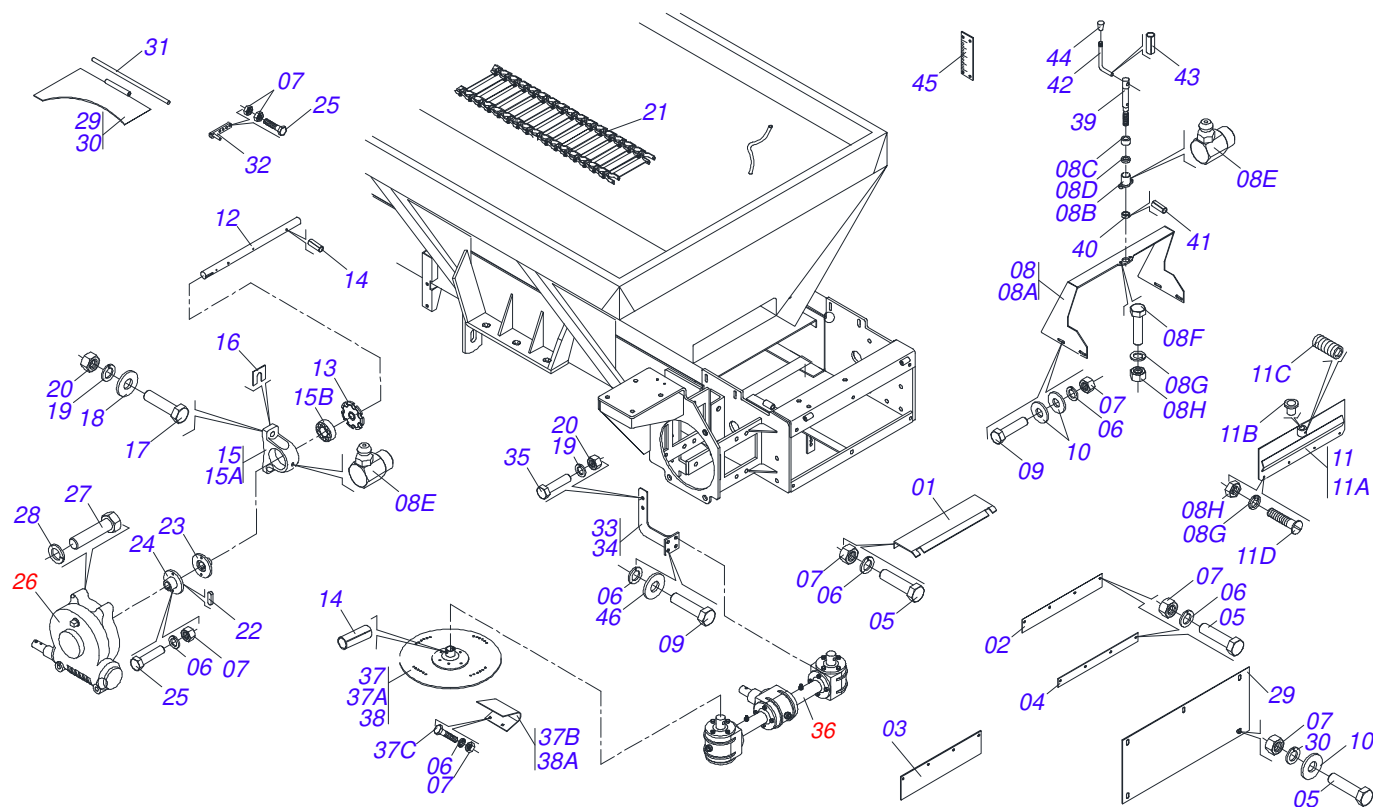
Item	Code	Description	See page	QT
00	0501052721	BUCKET ASSY		01
01	0511060964	DCA2 7500 RD BUCKET		01
02	0511016482	DRIVEN AXLE		01
03	0502040728	7Z GEAR		02
04	0503010361	SPRING PIN		02
05	0501044308	AGRICULTURAL BEARING ASSY	20	02
05A	0502011050	AGRICULTURAL HOUSING BEARING		02
05B	0503011163	1108/UCR BEARING ASSY		02
05C	0503011098	1/4" GREASE FITTING		02
06	0503010899	5/8" X 2-1/4" BOLT		04
07	0501012140	FLAT WASHER		08
08	0503011445	SPRING WASHER		04
09	0503010013	5/8" NUT		06
10	0501067853	ROD STABILIZER		02
11	0501044306	BATH BEARING	3	01
11A	0503011146	HOUSING BEARING		01
11B	0503011162	BALL BEARING		01
11C	0503011099	GREASE FITTING		01
12	0503011135	BOLT		15
13	0501012803	FLAT WASHER		11
14	0503011446	SPRING WASHER		15
15	0503010244	7/16" NUT		15
16	0521017329	TRANSMISSION AXLE		01
17	0501010536	KEYWAY SQUARE		01
18	0501069017	12Z GEAR		01
19	0503011268	3/8" X 2-1/2" BOLT		03
20	0503010026	3/8" NUT		09
21	0501069020	35Z GEAR		02
22	0503011141	3/8" X 2-3/4" BOLT		01
23	0501056885	CARDAN LEVER SUPPORT	4	01
23A	0501066588	CARDAN LARGE SUPPORT		01



DCA2 7500 RD  
FRAME - (FRONT)

Page 1  
0909093422

Item	Code	Description	See page	QT
23B	0511014066	CARDAN SMALLE SUPPORT		01
23C	0503010257	1/8" X 1" COTTERPIN		01
24	0503010920	1/2" X 1.1/2" BOLT		04
25	0511017302	FLAT WASHER		04
26	0503011440	SPRING WASHER		04
27	0503010060	1/2" NUT		04
28	0501047359	CARDAN TRANSMISSION HUB ASSY	5	01
29	0501019838	BAMPER		01
30	0501069166	TRACTOR HITCH		01
31	0521015342	WASHER SPACER		01
32	0521010681	BUSHING COUPLING BODY		01
33	0521010639	COUPLING SHAFT		01
34	0503010571	1/4" X 1.1/2 COTTERPIN		01
35	0503030198	0.6" X 2.4" X 0.1" EXTENSION SPRING		01
36	0501050828	CHAIN TENSIONER		01
36A	0511016574	TIGHTENER AXLE		01
36B	0511016554	TENSIONER ROLD		02
36C	0501010301	FLAT WASHER		02
36D	0511015098	FLAT WASHER		01
37	0501048241	DRIVE SHAFT	9	01
38	0501048409	DRIVE SHAFT	10	01
39	0511047255	DRIVE SHAFT		01
40	0503010765	3/8" X 3" BOLT		01
41	0503010025	3/8" SPRING WASHER		06
42	0501047881	AXIS JOINT ASSY	6	01
42A	0501068989	COUPLING SHAFT		01
42B	0503031035	HITCH PIN CLIP		01
43	0511041259	DRAWBAR JACK ASSY	17	01
44	0521010549	COUPLING SHAFT		01
45	0503030168	HITCH PIN CLIP		01
46	0503011716	50-1 X 87 CHAIN LINK + MENDING		01
47	0511061156	COVER		01
48	0503013150	1300 X 3/8 CHAIN		01
49	0581011220	COUPLING SHAFT		01
50	0503010131	3/16" X 1-1/2" COTTERPIN		01



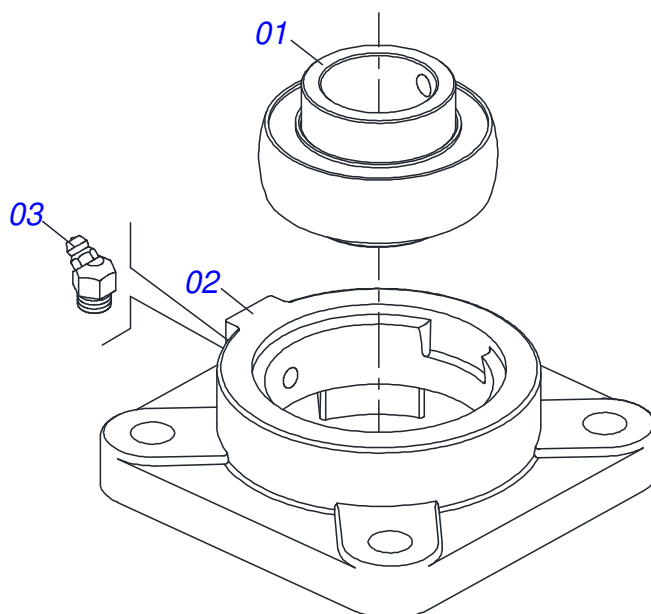
Item	Code	Description	See page	QT
01	0501067379	MAT REAR PROTECTION		01
02	0511014562	PROTECTION SMALLER		02
03	0511011866	PROTECTION LARGER		01
04	0511016575	RUBBER COVER FIXER		03
05	0503010237	3/8" X 1" BOLT		16
06	0503011443	3/8" SPRING WASHER		25
07	0503010026	3/8" NUT		26
08	0501054846	SLUICE VALVE SUPPORT	12	01
08A	0501069841	SLUICE VALVE SUPPORT		01
08B	0502010581	ROD BEARING		01
08C	0521010457	SLEEVE		01
08D	0521010458	SLEEVE		01
08E	0503010004	1890 GREASE FITTING		03
08F	0503010358	5/16" X 5/8" BOLT		02
08G	0503011444	SPRING WASHER		06
08H	0503010337	5/16" NUT		06
09	0503010751	C3/8" X 1.1/4" HEX BOLT G.5		12
10	0501010984	FLAT WASHER		13
11	0501054847	SLUICE VALVE COVER ASSY	13	01
11A	0501069181	SLUICE VALVE COVER		01
11B	0501019831	ADJUSTING NUT		01
11C	0503011148	3/8" X 1/2" BOLT		01
11D	0503010456	00002-B SEAL		04
12	0511016481	MOTOR SHAFT		01
13	0502040728	7Z GEAR		04
14	0503010361	SPRING PIN		06
15	0501044308	AGRICULTURAL BEARING ASSY	20	02
15A	0502011050	AGRICULTURAL HOUSING BEARING		02
15B	0503011163	1108/UCR BEARING ASSY		02
16	0501010794	HIDR CHOCK REGULATOR		04
17	0503010740	BOLT 1/2 UNC X 2 CS G.5 ZN		04



DCA2 7500 RD  
FRAME - (REAR)

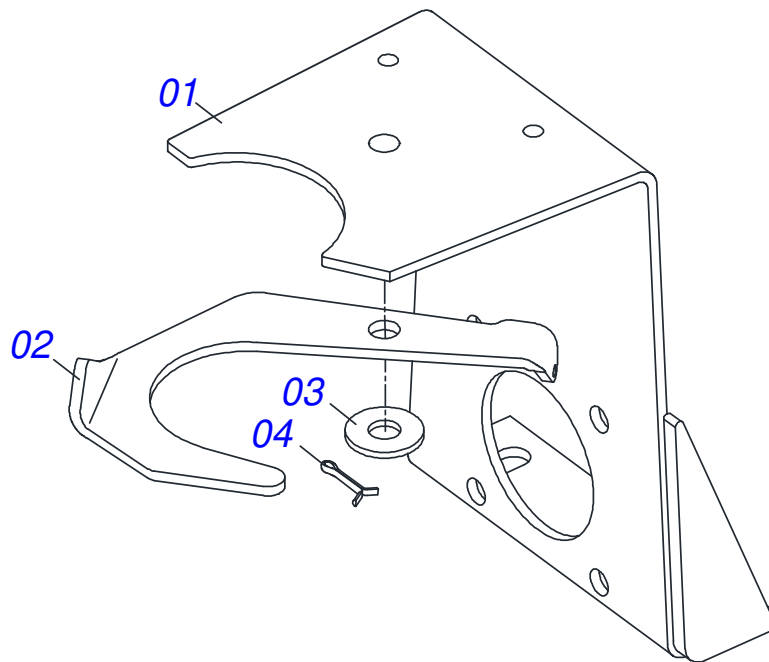
Page 2  
0909093421

Item	Code	Description	See page	QT
18	0511017302	FLAT WASHER		11
19	0503011440	SPRING WASHER		08
20	0503010060	1/2" NUT		08
21	0501067378	DRIVE THE FERTILIZER TRANSPORT		01
22	0501010540	KEYWAY SQUARE		01
23	0511016540	MAT COUPLING FLANGE		01
24	0511016541	REDUCTION COUPLING FLANGE		01
25	0503010849	3/8" X 1-1/2" BOLT		03
26	0501047985	REDUCER	8	01
27	0503011167	M16 X 2 X 30 BOLT		04
28	0503011445	SPRING WASHER		04
29	0501067203	RIGHT FLOW DIVIDING		01
30	0501067361	LEFT FLOW DIVIDING		01
31	0511016530	TENSIONER OPEN		01
32	0501067368	DIVISOR REGULATOR OPEN		01
33	0501064914	RH GEAR BOX SUPPORT ARM		01
34	0501064915	LH GEAR BOX SUPPORT ARM		01
35	0503010920	1/2" X 1.1/2" BOLT		04
36	0501046801	GEAR BOX DISTRIBUTOR	11	01
37	0501051972	DISTRIBUTOR RIGHT DISC ASSY	22	01
37A	0501069605	DISTRIBUTOR DISC		01
37B	0521018637	RH FLIP		04
37C	0503013029	3/8" X 3/4" BOLT		16
38	0501051973	DISTRIBUTOR LEFT DISC ASSY	23	01
38A	0521018638	LH FLIP		04
39	0561014861	REGULATOR		01
40	0511013015	SLEEVE		01
41	0503010561	SPRING PIN		01
42	0521011107	CRANK BODY		01
43	0503010838	0.1" X 0.8" SPRING PIN		01
44	0503030878	LEVER CRANK		01
45	0503030751	REGULATOR PLATE		01
46	0501012803	FLAT WASHER		08

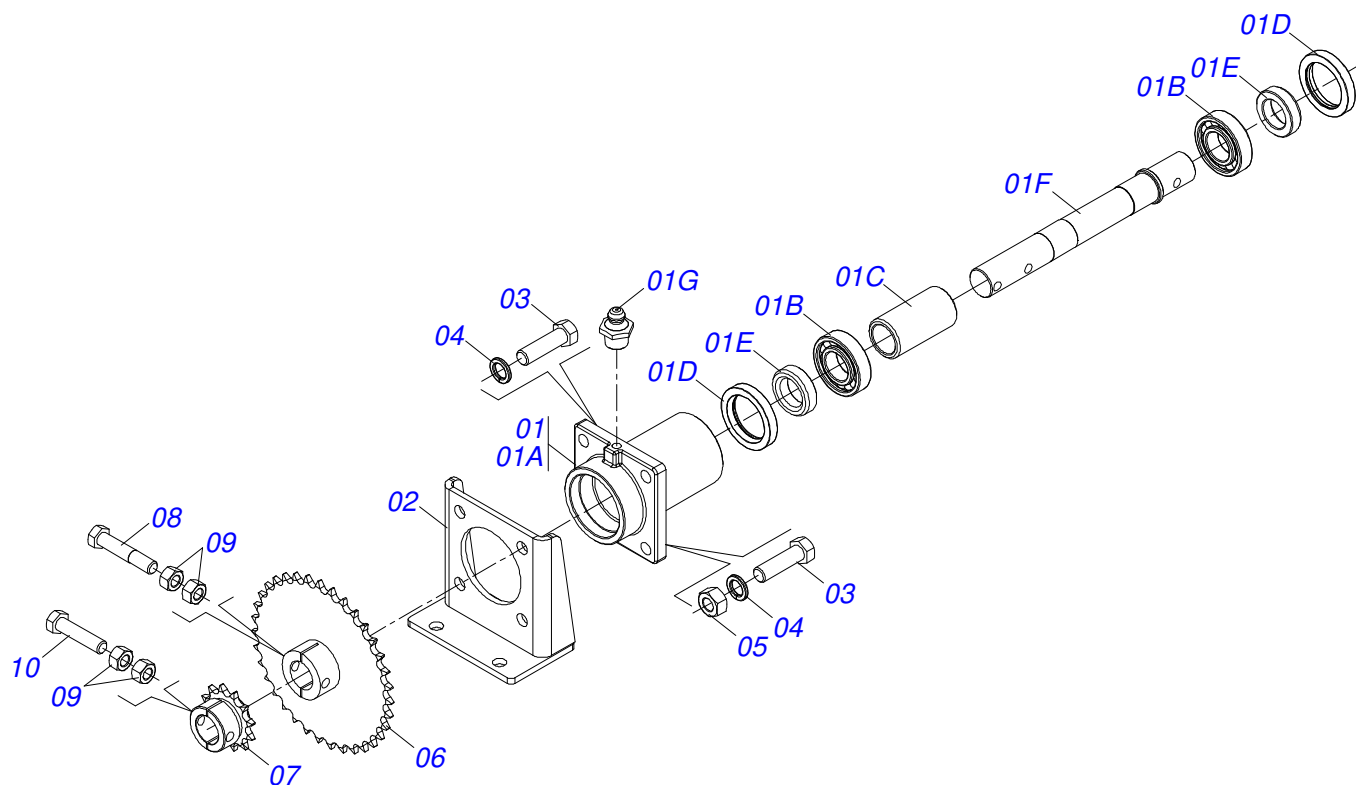


Item	Code	Description	See page	QT
01	0503011162	BALL BEARING		01
02	0503011146	HOUSING BEARING		01
03	0503011099	GREASE FITTING		01

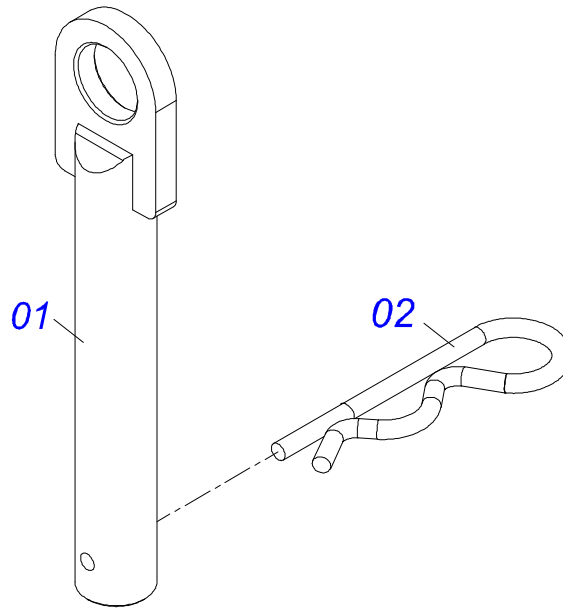




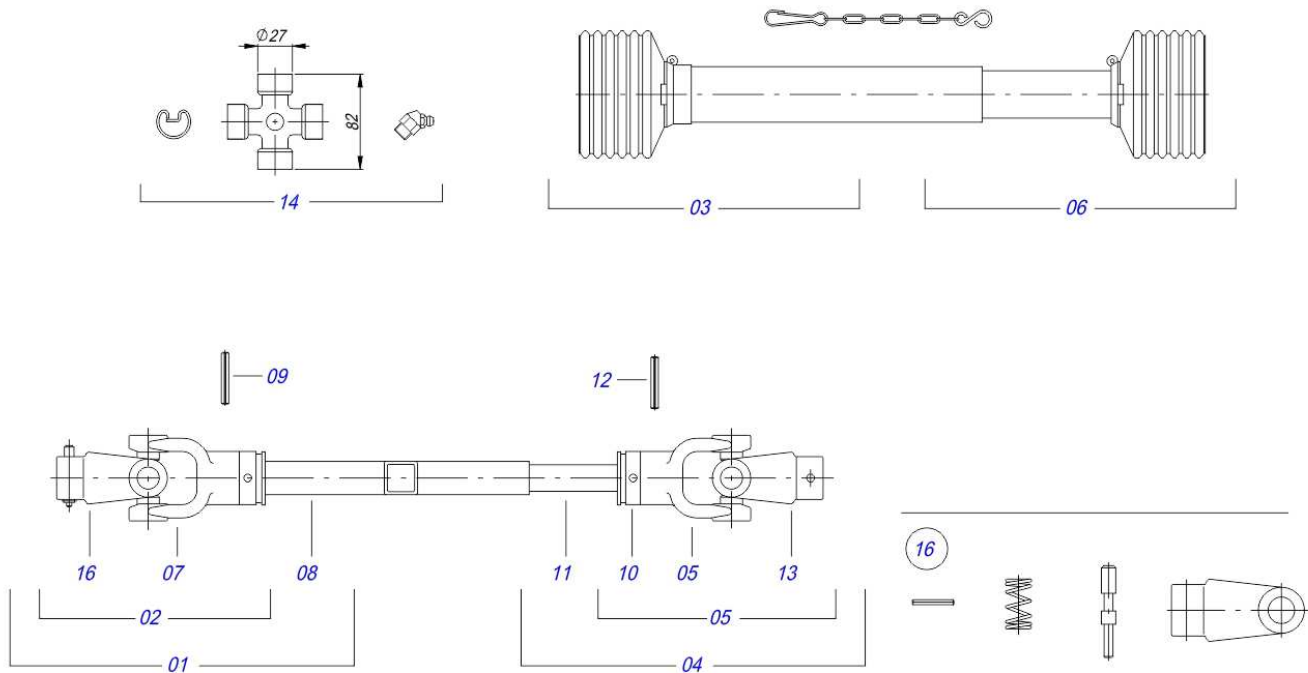
Item	Code	Description	See page	QT
01	0501066588	CARDAN LARGE SUPPORT		01
02	0511014066	CARDAN SMALLE SUPPORT		01
03	0511017302	FLAT WASHER		01
04	0503010257	1/8" X 1" COTTERPIN		01



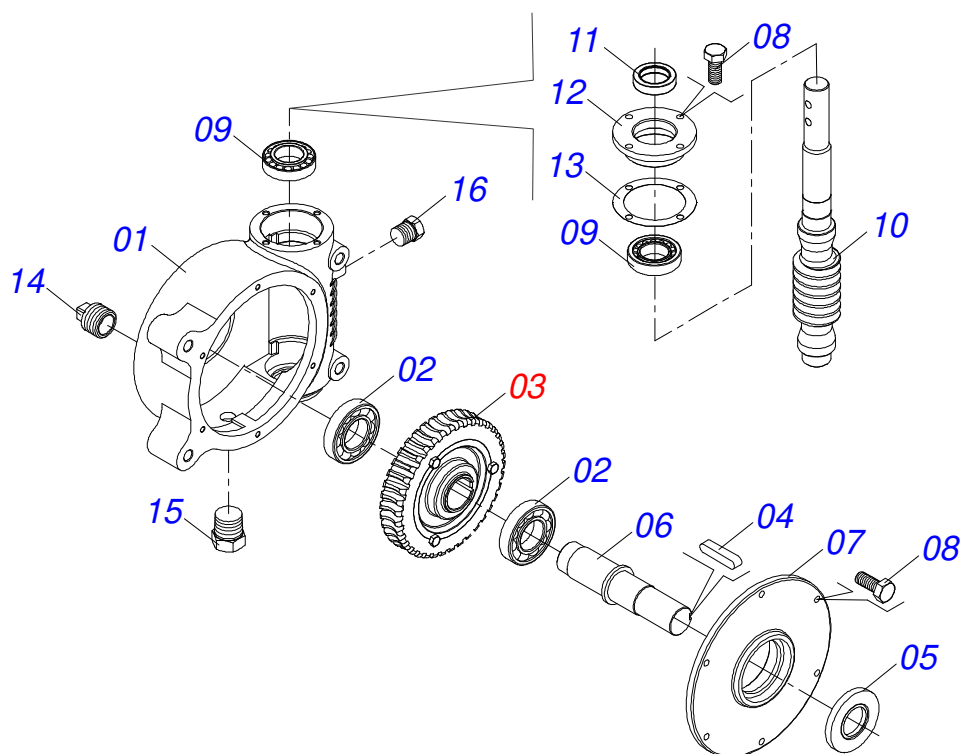
Item	Code	Description	See page	QT
01	0501046852	CARDAN TRANSMISSION HUB		01
01A	0502011282	TRANSMISSION AXLE BOX		01
01B	0503010276	6206 BALL BEARING		02
01C	0511014701	BUSHING 30,16 X 41,28 X 79,00		01
01D	0503010278	SEAL		02
01E	0511014695	BUSHING 29,99 X 48 X 14		02
01F	0511016486	TRANSMISSION AXLE 272		01
01G	0503010002	1800 GREASE FITTING		01
02	0501067586	TRANSMISSION HUB SUPPORT		01
03	0503011135	BOLT		04
04	0503011446	SPRING WASHER		04
05	0503010244	7/16" NUT		02
06	0501069020	35Z GEAR		01
07	0501069017	12Z GEAR		01
08	0503011268	3/8" X 2-1/2" BOLT		01
09	0503010026	3/8" NUT		04
10	0503015752	3/8" X 2" BOLT		01



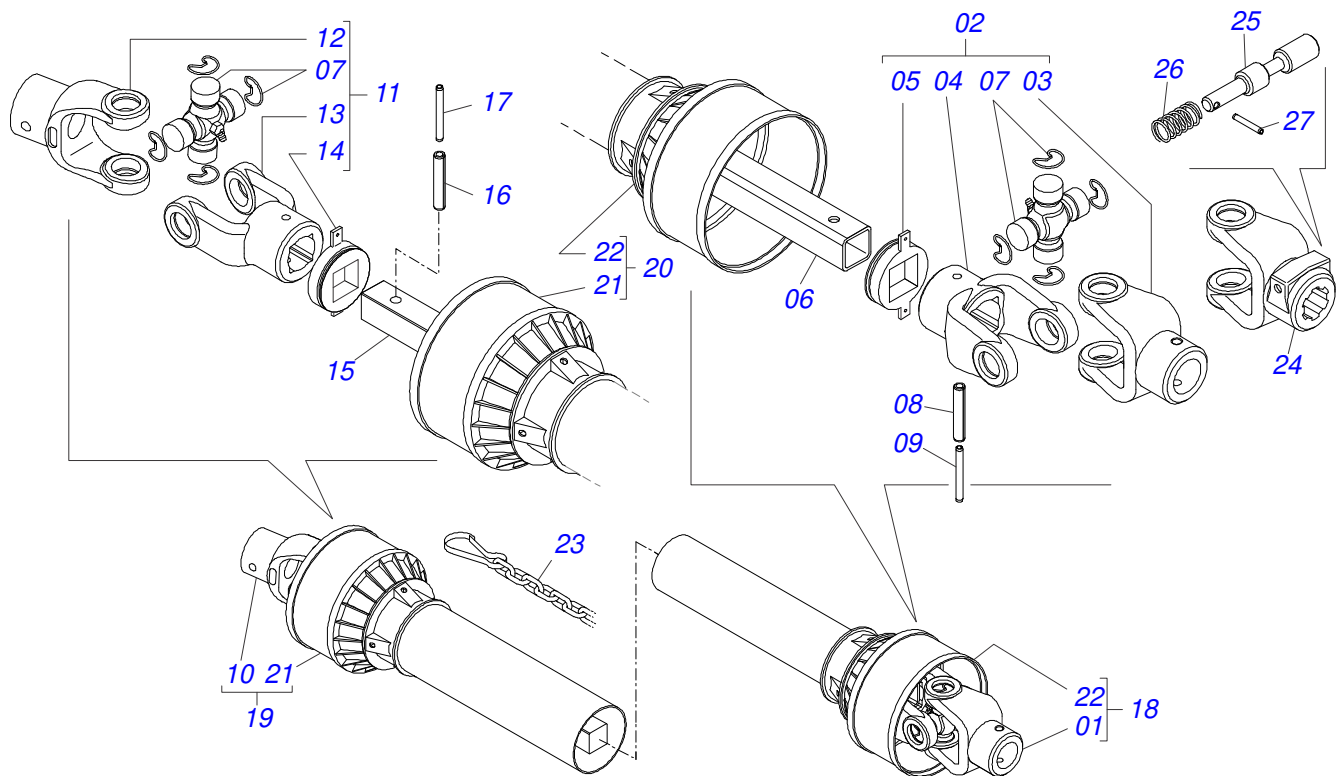
Item	Code	Description	See page	QT
01	0501068989	COUPLING SHAFT		01
03	0503031035	HITCH PIN CLIP		01



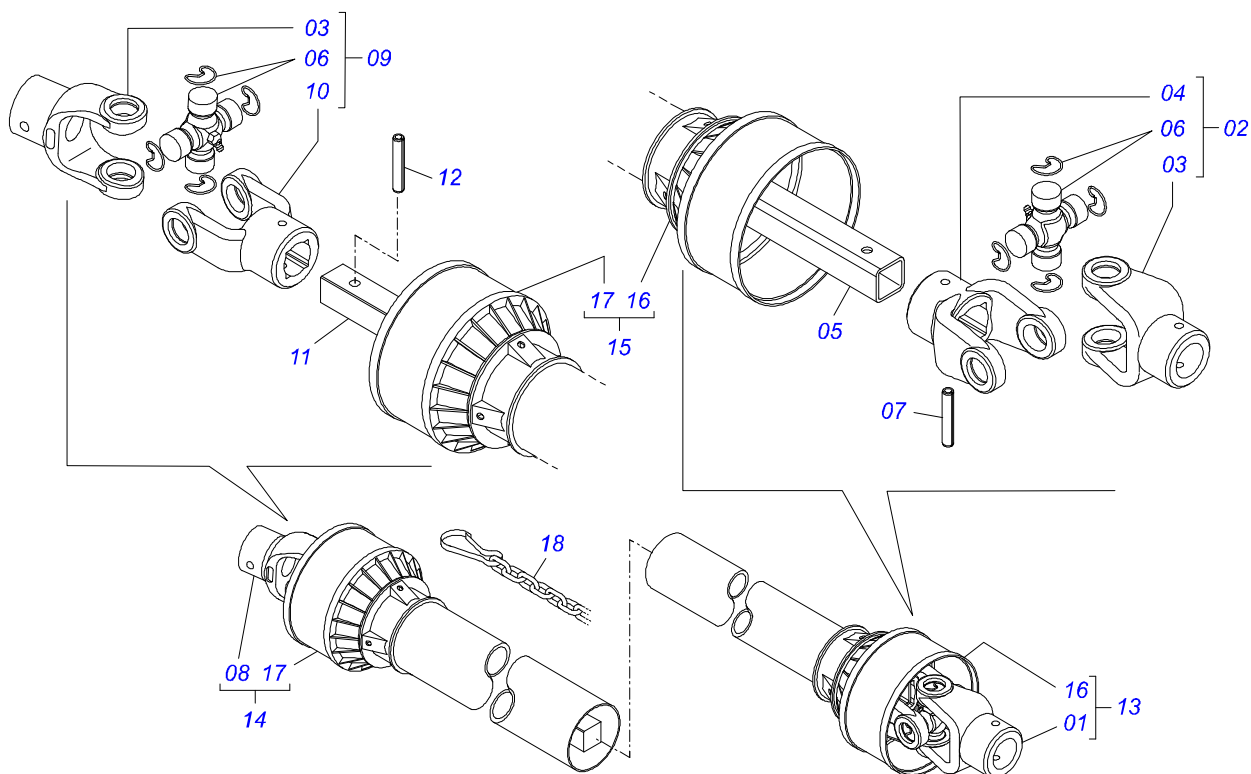
Item	Code	Description	See page	QT
01	0501051721	UNIVERSAL JOINT		01
02	0501051717	UNIVERSAL JOINT		01
03	0503012087	PROTECTION FOR UNIV JOINT AND SLEEVE		01
04	0501051722	PROTECTION FOR UNIV JOINT AND AXLE		01
05	0501051719	UNIVERSAL JOINT		01
06	0503012088	PROTECTION FOR UNIV JOINT AND AXLE		01
07	0501051718	UNIVERSAL JOINT		01
08	0511012101	0.9" X 15.75" SQUARE SLEEVE		01
09	0503010839	03"X 0.6" SPRING PIN		01
10	0501051720	UNIVERSAL JOINT		01
11	0511012100	0.9" X 15.75" SQUARE SHAFT		01
12	0503010301	0.3" X 1.8" SPRING PIN		01
13	0502010558	4-20 TERMINAL WITH ROLES		01
14	0503010835	CARDAN CROSSPIECE		01
15	0502011426	2-20 TERMINAL		01
16	0502011427	3-20 TERMINAL		01



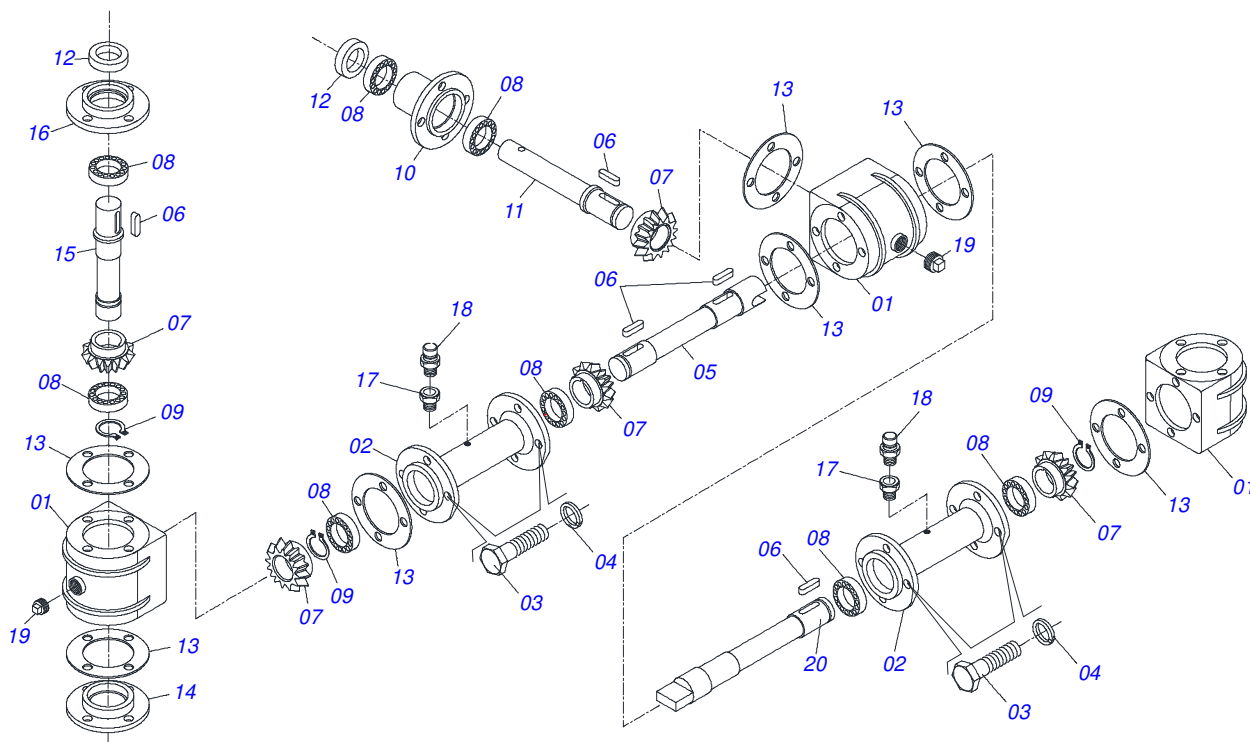
Item	Code	Description	See page	QT
01	0502011456	REDUCTION BOX		01
02	0503011095	6208 BALL BEARING		02
03	0501051774	38Z CROWN		01
04	0503011304	1/2" X 2.4" KEYWAY SQUARE		01
05	0503010818	02675-BRG SEAL		01
06	0521010996	AXLE		01
07	0502020556	LARGER COVER		01
08	0503010240	BOLT		10
09	0503010016	BEARING LM		02
10	0521010997	SCREW THEAD		01
11	0503011171	00912-BRG SEAL		01
12	0502011457	SMALLER COVER		01
13	0503030981	102 X 75,5 X 0,10 JOINT		01
14	0521011023	PLUG		01
15	0503031604	1/2" BSP PLUG		01
16	0503010856	OIL PLUG		01



Item	Code	Description	See page	QT
01	0501052176	SLEEVE UNIVERSAL JOINT	01	01
02	0501050265	UNIVERSAL JOINT	01	01
03	0501050333	1-40 TERMINAL WITH HITCH	01	01
04	0502010565	2-40 TERMINAL W/ SH 1.5"/1.5"	01	01
05	0503012069	ADAPTER FOR BUSHING PROTECT	01	01
06	0521013800	16" X 1.4" SQUARE SLEEVE	01	01
07	0503010836	CARDAN CROSSPIECE	02	01
08	0503011069	0.4" X 2.8" SPRING PIN	01	01
09	0503010510	0.2" X 2.6" SPRING PIN	01	01
10	0501052177	AXLE UNIVERSAL JOINT	01	01
11	0501052178	UNIVERSAL JOINT	01	01
12	0502011611	9-40 TERMINAL	01	01
13	0502010566	3-40 TERMINAL WITH SH 1.2"/1.2"	01	01
14	0503012070	ADAPTER FOR AXLE PROTECTION	01	01
15	0521013801	1.2" X 15.7" SQUARE SHAFT	01	01
16	0503010361	SPRING PIN	01	01
17	0503010756	0.2" X 2.4" SPRING PIN	01	01
18	0501052179	PROT/SLEEVE UNIVERSAL JOINT	01	01
19	0501052180	PROT/AXLE UNIVERSAL JOINT	01	01
20	0503012277	PROTECTION ASSY	01	01
21	0503012279	PROTECTION FOR UNIV JOINT AND AXLE	01	01
22	0503012278	PROTECTION FOR UNIV JOINT SLEEVE	01	01
23	0503012023	CHAIN FOR PROTECTION	02	01
24	0502010563	1-40 STRIATED 1.3/8" TERMINAL	01	01
25	0521010638	0.5" X 3.3" QUIC HITCH COUPL SHAFT	01	01
26	0503030518	0.5"X1.0"X 0.1" COMPRESSION SPRING	01	01
27	0503010838	0.1" X 0.8" SPRING PIN	01	01

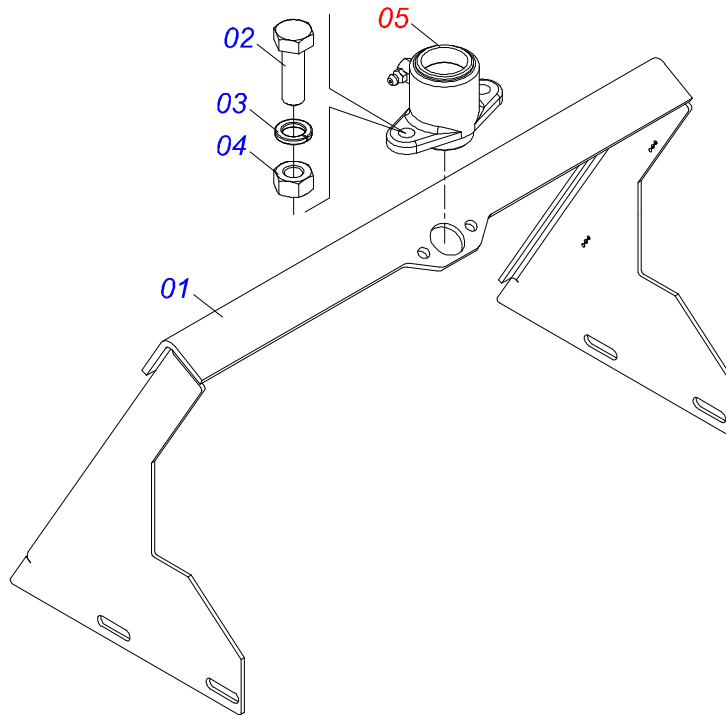


Item	Code	Description	See page	QT
01	0501052160	SLEEVE UNIVERSAL JOINT		01
02	0501051718	UNIVERSAL JOINT		01
03	0502010558	4-20 TERMINAL WITH ROLES		02
04	0502011426	2-20 TERMINAL		01
05	0521013797	0.9"X1.1"X31.5" SQUARE SLEEVE		01
06	0503010835	CARDAN CROSSPICE		02
07	0503010839	03"X 0.6" SPRING PIN		01
08	0501052161	UNIVERSAL JOINT WITH AXLE		01
09	0501051720	UNIVERSAL JOINT		01
10	0502011427	3-20 TERMINAL		01
11	0521013794	0.9" X 31.5 SQUARE SHAFT		01
12	0503010301	0.3" X 1.8" SPRING PIN		01
13	0501052162	PROT/SLEEVE UNIVERSAL JOINT		01
14	0501052163	PROT/AXLE UNIVERSAL JOINT		01
15	0503012268	PROTECTION ASSY		01
16	0503012269	PROTECTION FOR UNIV JOINT SLEEVE		01
17	0503012270	PROTECTION FOR UNIV JOINT AND AXLE		01
18	0503012023	CHAIN FOR PROTECTION		01

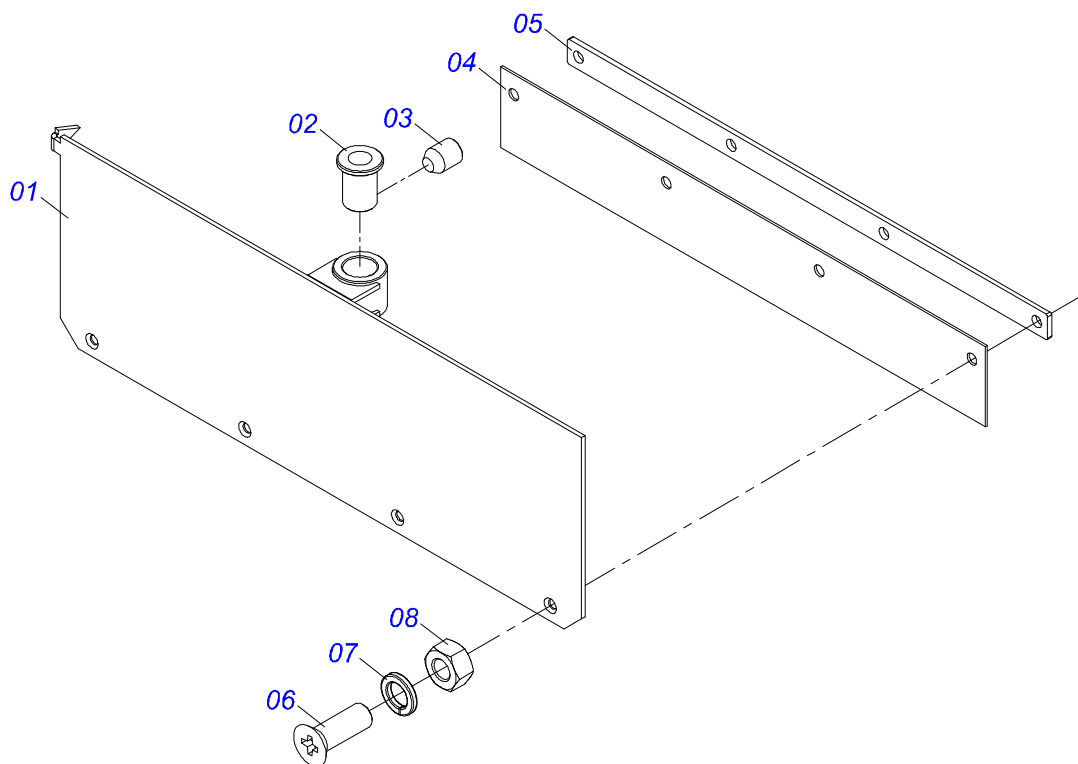


Item	Code	Description	See page	QT
01	0502010312	DISTRIBUTOR REDUCTION BOX	03	
02	0502010313	SLEEVE	02	
03	0503010237	3/8" X 1" BOLT	32	
04	0503010025	3/8" SPRING WASHER	32	
05	0511016553	12.95" REDUCTOR AXLE DISTRIBUTOR	01	
06	0503031030	5/16" X 1.98" KEYWAY	06	
07	0503030153	15Z CONICAL GEAR	05	
08	0503010276	6206 BALL BEARING	10	
09	0503010707	501030 CLAMPING RING (FOR AXLE)	03	
10	0502010437	HUB CENTRAL	01	
11	0511016458	6.89" REDUCTOR AXLE DISTRIBUTOR	01	
12	0503010083	50791MBL SEAL	03	
13	0503030157	5.12" X 3.21" X 0.008" JOINT	18	
14	0502010357	LOWER COVER	02	
15	0511016459	8.66" REDUCTOR AXLE DISTRIBUTOR	02	
16	0502010324	UPPER COVER	02	
17	0511016550	0.87" BREATHING HOLE	02	
18	0503010325	VCA-118 VALVE	02	
19	0503010123	1/2" BSPT PLUG	03	
20	0511017077	11.81" REDUCTOR AXLE DISTRIBUTOR	01	

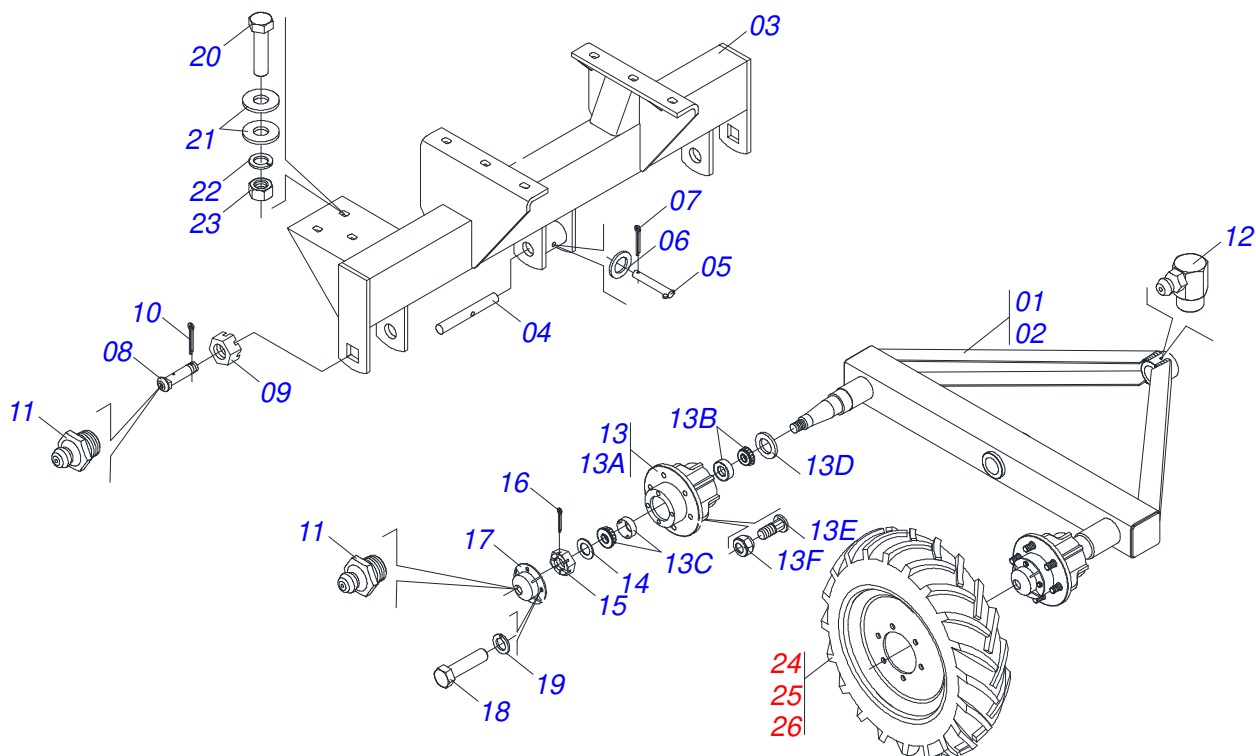




Item	Code	Description	See page	QT
01	0501069841	SLUICE VALVE SUPPORT		01
02	0503010371	5/16" X 1" BOLT		02
03	0503011444	SPRING WASHER		02
04	0503010337	5/16" NUT		02
05	0511059094	SHAFT BEARING THREADED		01



Item	Code	Description	See page	QT
01	0501069181	SLUICE VALVE COVER		01
02	0501019831	ADJUSTING NUT		01
03	0503011148	3/8" X 1/2" BOLT		01
04	0511014562	PROTECTION SMALLER		01
05	0511016575	RUBBER COVER FIXER		01
06	0503010546	5/16" X 7/8" BOLT		04
07	0503011444	SPRING WASHER		04
08	0503010337	5/16" NUT		04



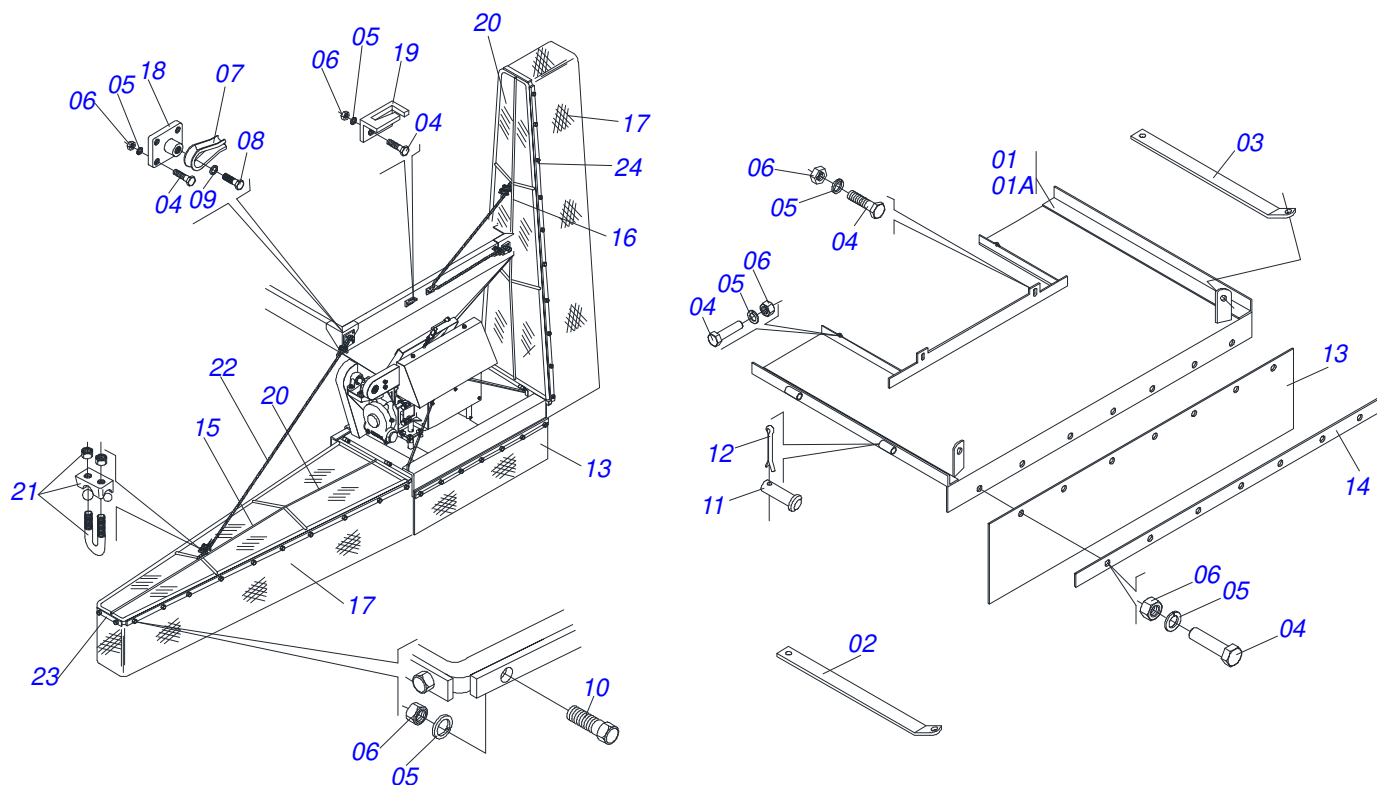
Item	Code	Description	See page	QT
00	0501048785	BELL CRANK FIXATION SUPPORT ASSY		01
01	0501069577	RIGHT ROCKER ARM		01
02	0501069183	LEFT ROCKER ARM		01
03	0501069579	BELL CRANK FIXATION SUPPORT		01
04	0521012427	1.5" X 11.4" COUPLING SHAFT		01
05	0521010641	COUPLING SHAFT		01
06	0511017302	FLAT WASHER		02
07	0503010257	1/8" X 1" COTTERPIN		01
08	0521012431	1-1/2" 7.6 PIVOT SHAFT		02
09	0501011301	1.1/2 UNC 6FPP 2.5/16 NUT		02
10	0503010010	1/4" X 2.1/2" COTTERPIN		02
11	0503010002	1800 GREASE FITTING		06
12	0503010004	1890 GREASE FITTING		02
13	0501051142	CARRYING WHEEL HUB		04
13A	0502011121	CARRYING WHEEL HUB		04
13B	0503010006	32210 ROLLER BEARING		04
13C	0503010037	30207 ROLLER BEARING		04
13D	0503012928	SEAL		01
13E	0501010127	9/16" X 1-7/8" LUG BOLT		24
13F	0503010035	9/16" CONIC NUT		24
14	0511017480	FLAT WASHER		04
15	0503030009	1" CASTLE NUT		04
16	0503010018	5/32 X 1-1/2 COTTERPIN		04
17	0502020591	PROTECCION COVER		04
18	0503010178	5/16" X 7/8" BOLT		16
19	0503011444	SPRING WASHER		16
20	0503010899	5/8" X 2-1/4" BOLT		06
21	0501012140	FLAT WASHER		12
22	0503010027	5/8" SPRING WASHER		06
23	0503010013	5/8" NUT		06
24	0503060181	WHEEL AND TIRE		04



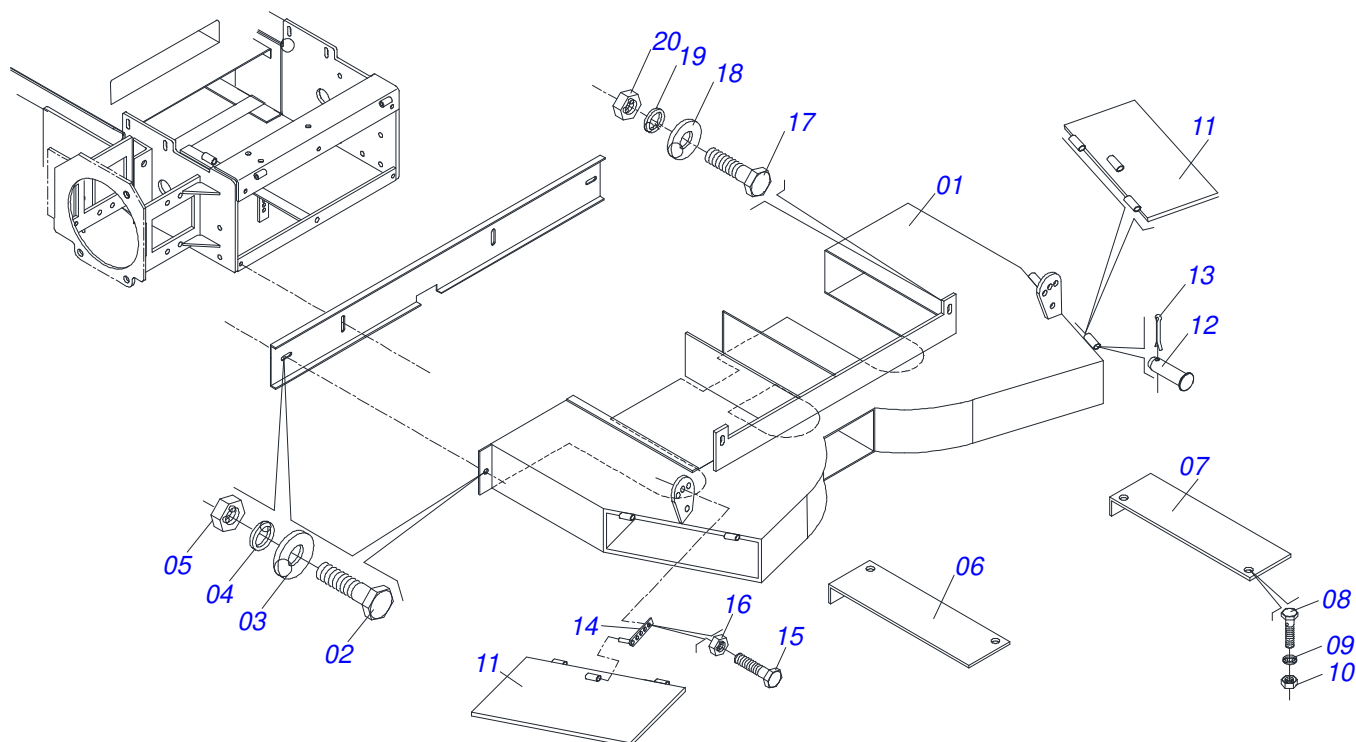
**DCA2 7500 RD**  
**WHEELS ASSY**

Page 14  
0909093418

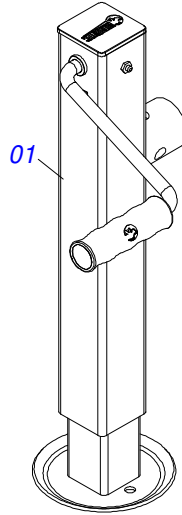
<b>Item</b>	<b>Code</b>	<b>Description</b>	<b>See page</b>	<b>QT</b>
25	0503061969	CON WHEEL TIRE		04
26	0511059647	WHEEL AND TIRE ASSY		04



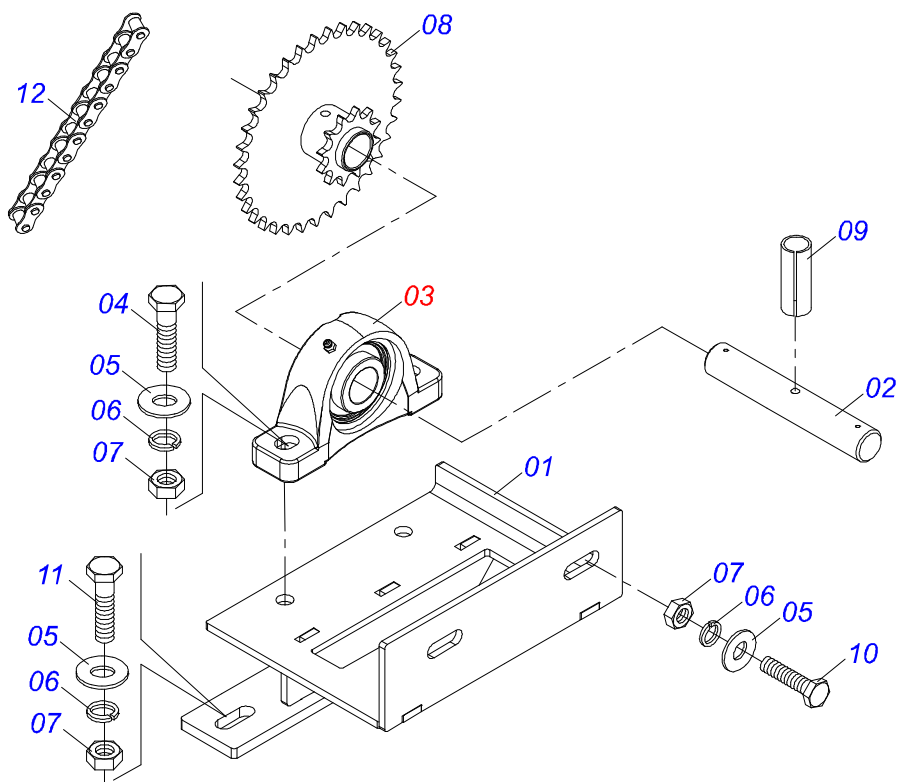
Item	Code	Description	See page	QT
01	0511044878	DAMPER ASSY DCA2 RD	15	01
01A	0511067385	CENTRAL FRAME DAMPER		01
02	0511017465	ATTACHMENT BAR		01
03	0511017466	ATTACHMENT BAR		01
04	0503010237	3/8" X 1" BOLT		67
05	0503010025	3/8" SPRING WASHER		71
06	0503010026	3/8" NUT		71
07	0503011202	BRACKET		04
08	0503010834	1/2 X 1 BOLT		02
09	0503010019	1/2" SPRING WASHER		04
10	0503010751	C3/8" X 1.1/4" HEX BOLT G.5		04
11	0511013803	PIN		04
12	0503010131	3/16" X 1-1/2" COTTERPIN		04
13	0511013810	REAR PROTECTION		01
14	0511013804	REAR RIBBON FIXER BLANKET		01
15	0501066442	RIGHT WING		01
16	0501066443	LEFT WING		01
17	0511013808	BLANKET RUBBER		02
18	0501066514	STELL GUIDE CABLO		02
19	0501066515	STELL SUPPORT CABLO		02
20	0511013809	SUPPORT PROTECTION		02
21	0503010165	5/16" CABLO STEEL STAPLE		08
22	0511013817	STELL CABLE		02
23	0511013806	FIXER CANVAS RIBBON		02
24	0511013793	FIXER SUPPORT CANVAS		04



Item	Code	Description	See page	QT
01	0501067808	CONTROLLER DCA2 RD ASSY		01
02	0503010395	1/2" X 1-1/4" BOLT		02
03	0511017302	FLAT WASHER		02
04	0503010019	1/2" SPRING WASHER		02
05	0503010060	1/2" NUT		02
06	0511019224	RH SIDE COVER		01
07	0511019225	LH COVER SIDE		01
08	0503010256	3/8" X 3/4" BOLT		04
09	0503010025	3/8" SPRING WASHER		04
10	0503010026	3/8" NUT		04
11	0501067632	DEFLECTOR		02
12	0501017574	0.3" X 2.7" AXLE		04
13	0503010257	1/8" X 1" COTTERPIN		04
14	0501067368	DIVISOR REGULATOR OPEN		02
15	0503010751	C3/8" X 1.1/4" HEX BOLT G.5		02
16	0503010026	3/8" NUT		04
17	0501010080	3/8" BOLT		02
18	0501010984	FLAT WASHER		02
19	0503010025	3/8" SPRING WASHER		02
20	0503010026	3/8" NUT		02

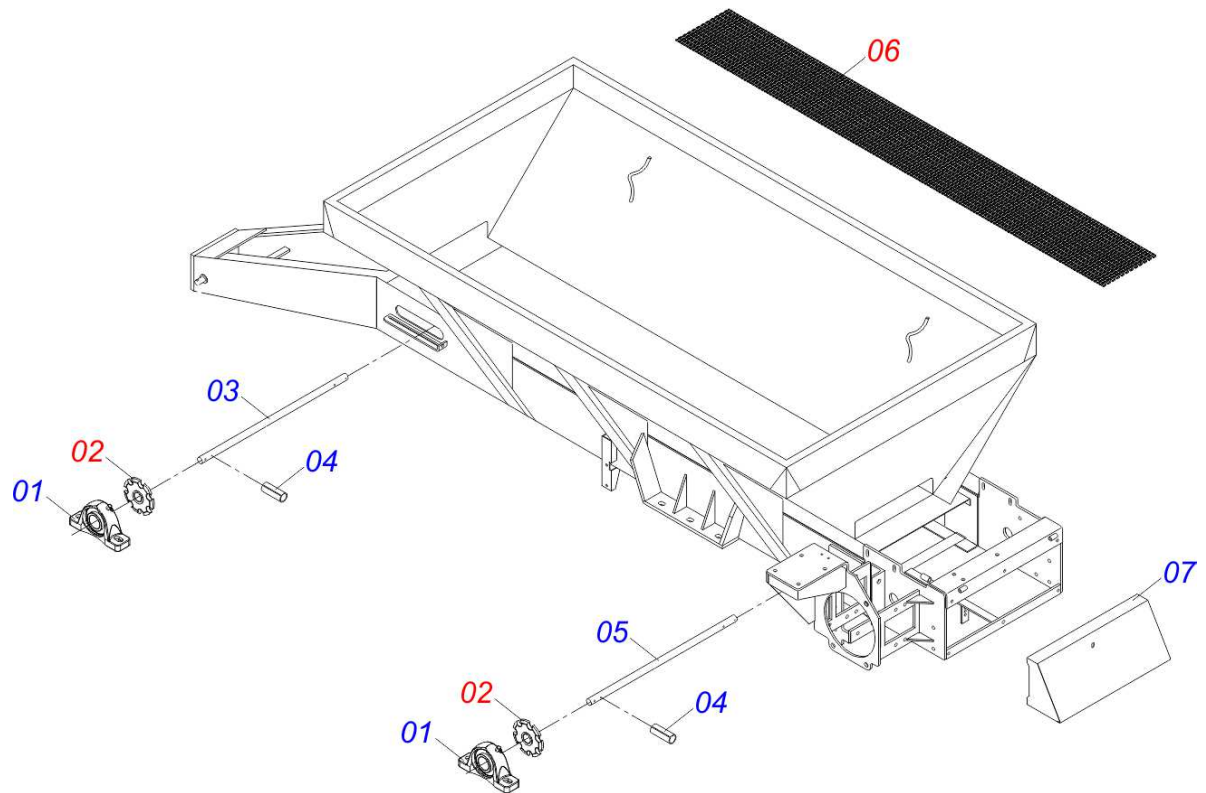


Item	Code	Description	See page	QT
01	0503062157	HEADER JACK		01

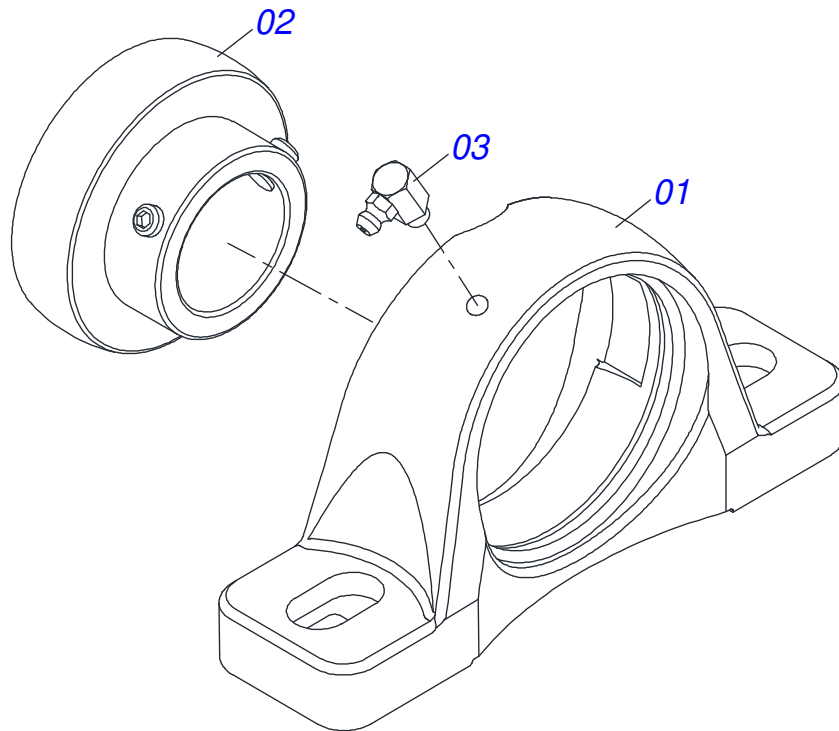


Item	Code	Description	See page	QT
01	0511066460	SUPER REDUCTION		01
02	0531010272	REDUCTION AXLE SUPER		01
03	0511041213	AGRICULTURAL BEARING		02
04	0503011082	C1/2" X 1.3/4" SCREW		04
05	0511017302	FLAT WASHER		08
06	0503010019	1/2" SPRING WASHER		08
07	0503010060	1/2" NUT		08
08	0511062364	REDUCTION GEAR SUPER		01
09	0503011855	0.2" X 1.8" SPRING PIN		01
10	0503010395	1/2" X 1-1/4" BOLT		02
11	0503010920	1/2" X 1.1/2" BOLT		02
12	0503012942	50-1 CHAIN X 46 LINK + REDUCTION		01

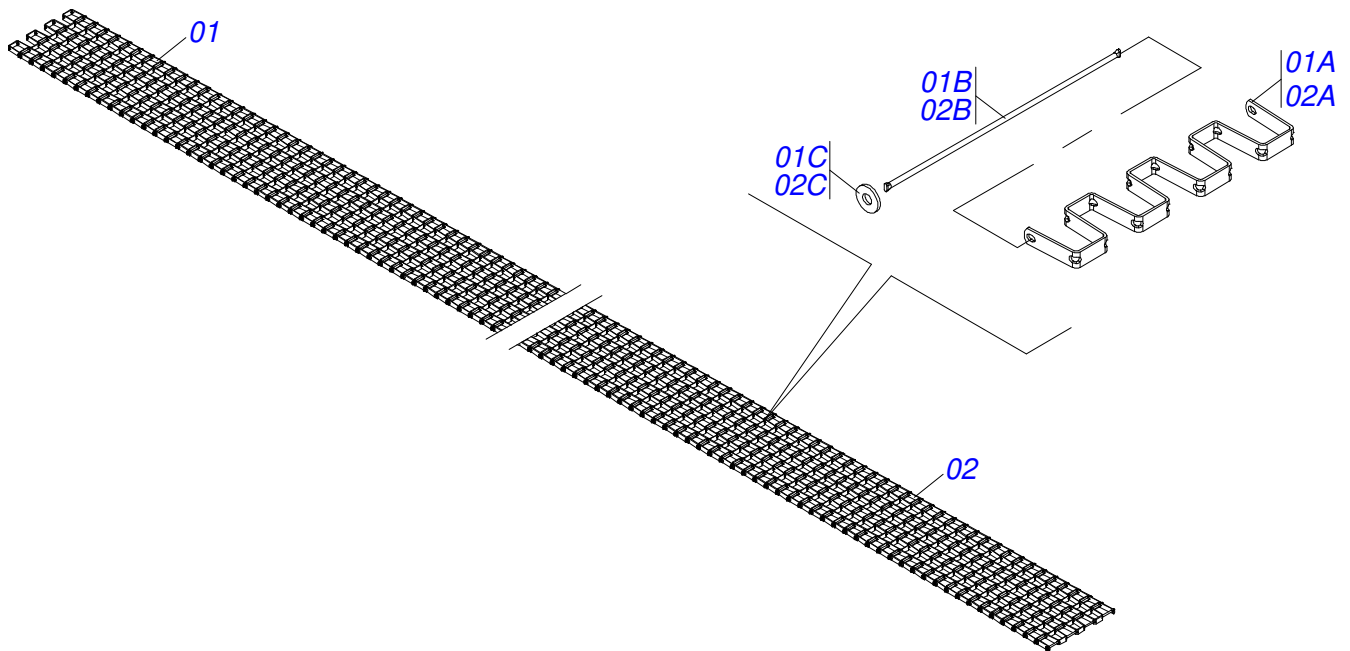




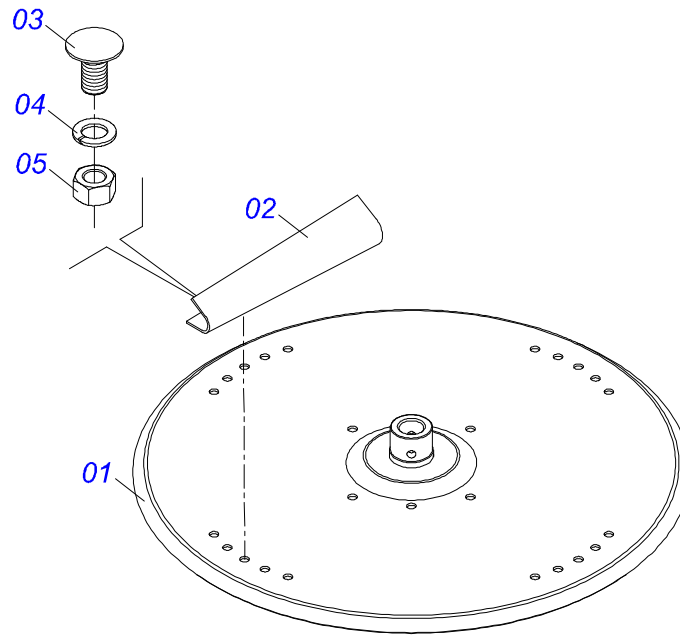
Item	Code	Description	See page	QT
01	0501044308	AGRICULTURAL BEARING ASSY	20	02
02	0502040728	7Z GEAR		02
03	0511016482	DRIVEN AXLE		01
04	0503010361	SPRING PIN		02
05	0511018406	MOTOR AXLE		01
06	0511048904	DRIVE THE TRANSPORT		01
07	0501068211	MAT INOX REAR PROTECTION		01



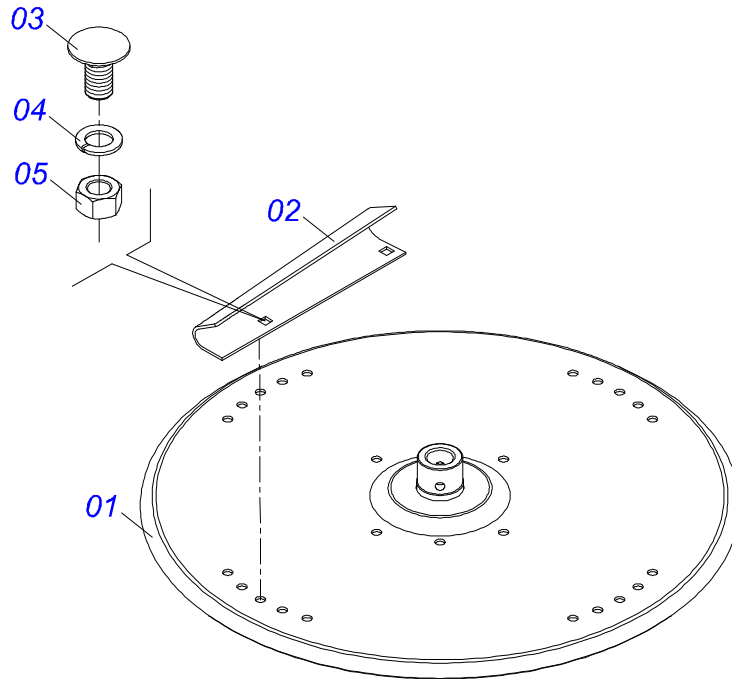
Item	Code	Description	See page	QT
01	0502011050	AGRICULTURAL HOUSING BEARING		01
02	0503011163	1108/UCR BEARING ASSY		01
03	0503010004	1890 GREASE FITTING		01



Item	Code	Description	See page	QT
01	0511050052	MAT SEGMENT		06
01A	0561016633	TRANSPORT MAT BODY		35
01B	0561016632	AXIS UNION MAT		35
01C	0503015148	WASHER		70
02	0511050053	MAT SEGMENT		01
02A	0561016633	TRANSPORT MAT BODY		16
02B	0561016632	AXIS UNION MAT		16
02C	0503015148	WASHER		32



Item	Code	Description	See page	QT
01	0501069605	DISTRIBUTOR DISC		01
02	0521018637	RH FLIP		04
03	0503013029	3/8" X 3/4" BOLT		08
04	0503011443	3/8" SPRING WASHER		08
05	0503010026	3/8" NUT		08



Item	Code	Description	See page	QT
01	0501069605	DISTRIBUTOR DISC		01
02	0521018638	LH FLIP		04
03	0503013029	3/8" X 3/4" BOLT		08
04	0503011443	3/8" SPRING WASHER		08
05	0503010026	3/8" NUT		08





**MARCHESAN**

***Technical Publications | Elaboration and Revision***

JOÃO VIRGINIO ROCHA

[www.marchesan.com.br](http://www.marchesan.com.br)

