

OFFSET DISK HARROW

GASPM-EHD 10020

Code: 0501091496
Series: S-0805
Revision: 00
Date Revision: AGOSTO/2005

PARTS CATALOGUE



MARCHESAN



PRODUCTS

Code	Description
0102080199	GASPM-EHD 10020 10X 36X 12 DM S-805
0102080200	GASPM-EHD 10020 12DM S/DISCOS S0805
0102080138	GASPM-EHD 10020 12X 36X 12 DM S-805
0102080201	GASPM-EHD 10020 12X 42X 12 DM S-805
0102080136	GASPM-EHD 10020 16X 36X 12 DM S-805
0102080147	GASPM-EHD 10020 16X 40X 12 DM S-805
0102080139	GASPM-EHD 10020 20X 36X 12 DM S-805
0102080148	GASPM-EHD 10020 20X 40X 12 DM S-805

ATTENTION: IMPORTANT

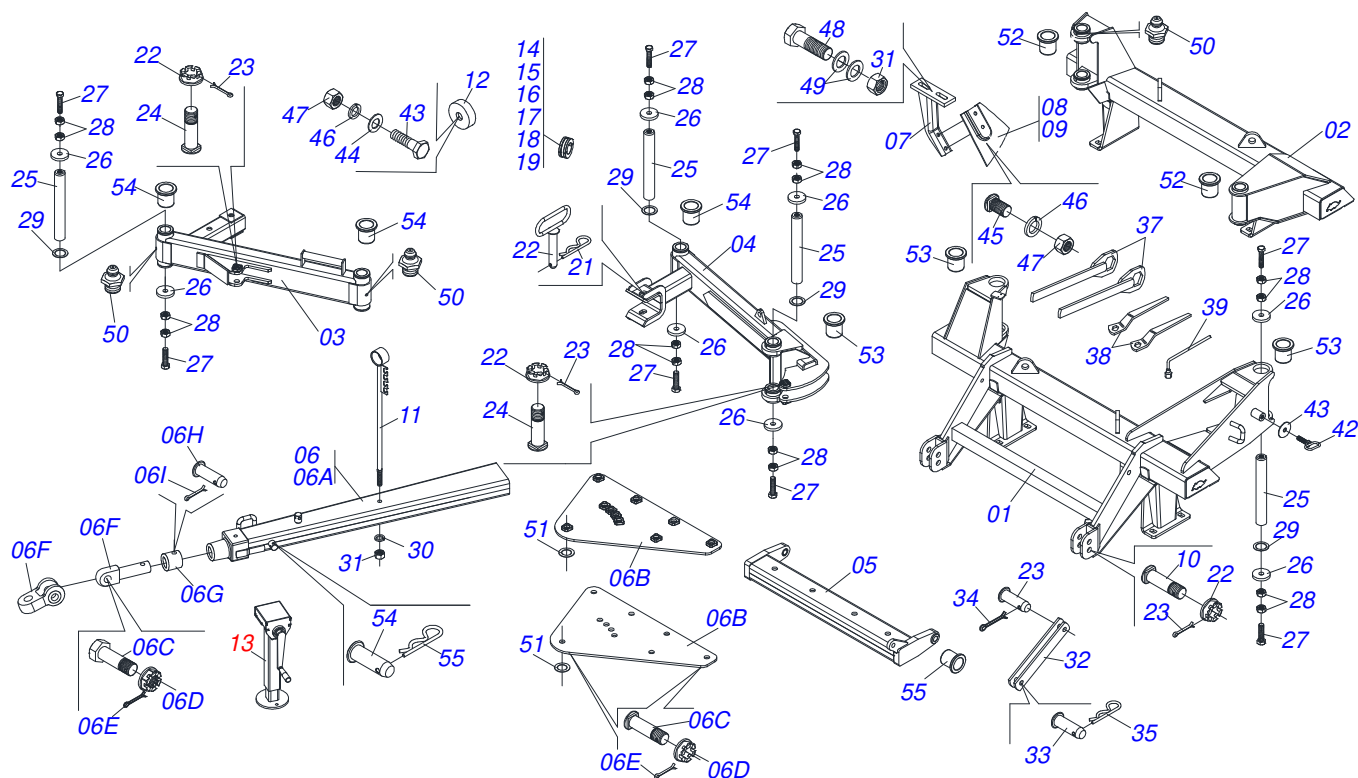
Marchesan S.A. reserves the right to improve and / or modify the technical features of its products, without obligation to do the same with those products already sold and without prior knowledge of the dealer or the consumer.



MARCHESAN

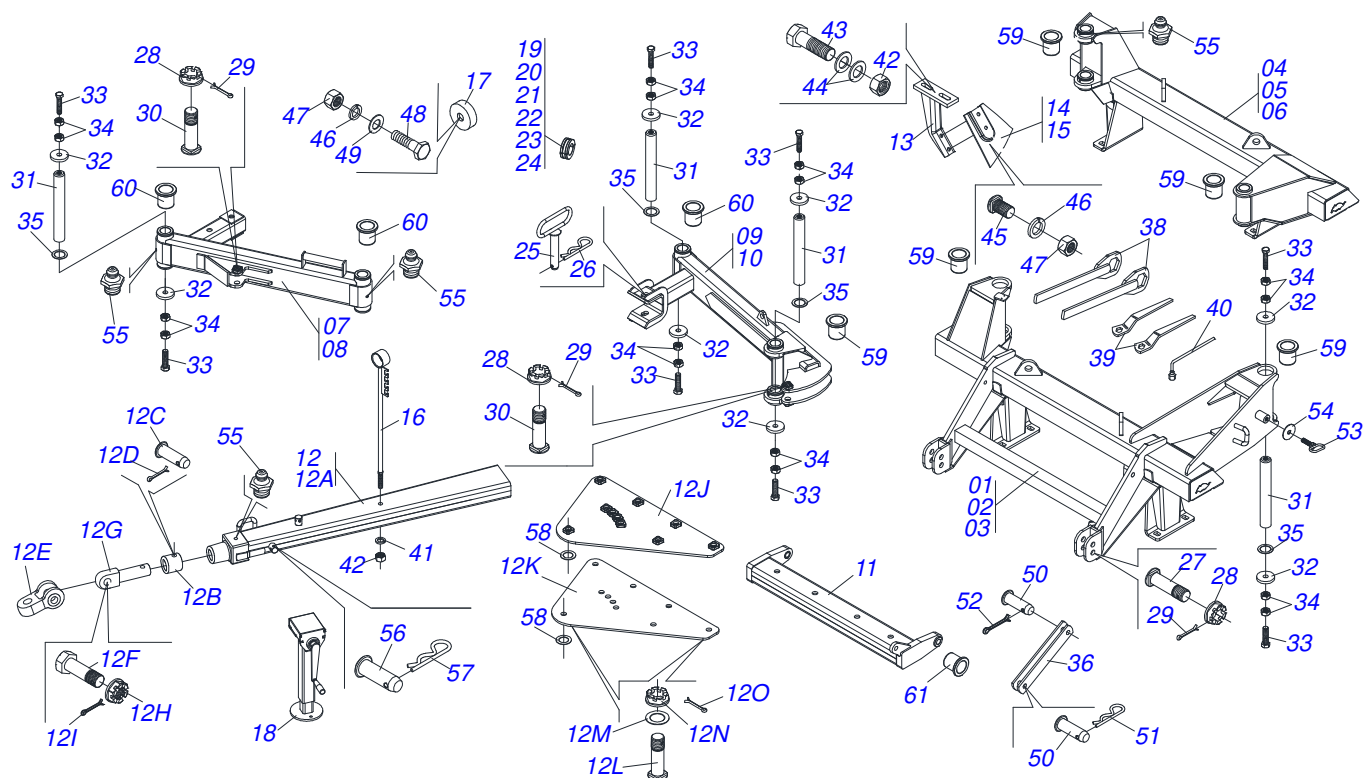
INDEX

0909091810	ASSY FRAME - 10D	1
0909091811	ASSY FRAME - 12/16/20D	2
0511043153	DRAWBAR JACK	3
0511048088	DRAWBAR JACK	4
0511043185	HYDRAULIC CYLINDER 63,50 X 150 X 770 X 310	5
0511044812	63,50 X 150 X 950 X 550 HYDRAULIC CYLINDER	6
0909091812	GANG DISC ASSY 10/12/16/20 D - 36"	7
0909091813	GANG DISC ASSY 12 D - 42" X 12MM	8
0909091814	GANG DISC ASSY - 40" X 12	9
0511042200	495MM X 2-1/2" RD. OIL BATH BEARING	10
0909091815	HYDRAULIC CIRCUIT	11
0501055696	DISCHARGE VALVE OFS ASSY	12
0501053834	MALE QUICK COUPLER WITH CAP - 1/2 NPT	13



Item	Code	Description	See page	QT
01	0521063465	FRONT FRAME		01
02	0521063470	REAR FRAME		01
03	0511067487	FRONT STABILIZER BAR		01
04	0511067488	REAR STABILIZER BAR		01
05	0521063462	1521 OFFSET BAR		01
06	0511041545	DRAWBAR ASSY		01
06A	0501069323	DRAWBAR ASSY		01
06B	0511016137	UPPER /LOWER PLATE		02
06C	0501017290	1-1/2" X 7.7" BOLT		07
06D	0501011301	1.1/2 UNC 6FPP 2.5/16 NUT		07
06E	0503010010	1/4" X 2.1/2" COTTERPIN		07
06F	0502040727	COUPLING SHAFT		01
06G	0502040327	ANEL TRAVA ENGATE		01
06H	0511014902	COUPLING SHAFT		01
06I	0503010571	1/4" X 1.1/2 COTTERPIN		01
06J	1902040733	U COUPLING HOOK		01
07	0511064771	FRONT SCRAPER SUPPORT		10
08	0521013678	FRONT CLEANER		05
09	0521013679	REAR CLEANER		05
10	0531018099	37,50 X 190 COUPLING SHAFT		02
11	0521062849	HOSE HOLDER ASSY		01
12	0521011481	FRAME BATTERY		01
13	0511043153	DRAWBAR JACK	3	01
14	0511042161	2.1/2" ROD STOP ASSY		01
15	0511042162	2.1/2" ROD STOP ASSY		01
16	0511042163	2.1/2" ROD STOP ASSY		01
17	0511042164	2.1/2" ROD STOP ASSY		01
18	0511042165	2.1/2" ROD STOP ASSY		01
19	0511042166	2.1/2" ROD STOP ASSY		01
20	0501069350	230 PIVOT SHAFT WITH PULL		01
21	0503031035	HAIR PIN		01

Item	Code	Description	See page	QT
22	0501011301	1.1/2 UNC 6FPP 2.5/16 NUT		04
23	0503010010	1/4" X 2.1/2" COTTERPIN		04
24	0531018100	37,50 X 200 COUPLING SHAFT		02
25	0541011899	2.9" X 20" COUPLING SHAFT		04
26	0511013244	FLAT WASHER		08
27	0503012660	1" X 4" BOLT		08
28	0503013635	1" NUT		16
29	0541011534	FLAT WASHER		04
30	0503010023	3/4" SPRING WASHER		02
31	0503010014	3/4" NUT		21
32	0541011205	DRAWBAR LOCK SAFETY		02
33	0521010573	0.9" X 3.1" COUPLING SHAFT		02
34	0503010571	1/4" X 1.1/2 COTTERPIN		01
35	0503030012	HAIR PIN		01
36	0503013150	1300 X 3/8 CHAIN		01
37	0501061044	2-1/8" AND 2-1/2" CABLE FLAT WRENCH		02
38	0501011432	1-1/2" AND 1-5/8 GANG BOLT WRENCH		01
39	0503016137	1-1/4" WRENCH CABLE CYLINDER		01
40	0541011345	16 X 68 PLUGER		01
41	0503030168	HAIR PIN		01
42	0501069343	WRENCH FIXER		01
43	0521011722	FLAT WASHER		01
44	0501012140	FLAT WASHER		01
45	0503012195	5/8" NUT		20
46	0503010027	5/8" SPRING WASHER		21
47	0503010013	5/8" NUT		21
48	0501010500	3/4"X3"BOLT		20
49	0541010763	FLAT WASHER		40
50	0503010002	1800 GREASE FITTING		14
51	0521011721	1.6" X 3.94" X 0.12" WASHER		02
52	0541011938	SLEEVE		02
53	0541011924	INNER SLEEVE 74,5 X 87 X 100		02
54	0541017470	SLEEVE		02
55	0531019074	SLEEVE		02

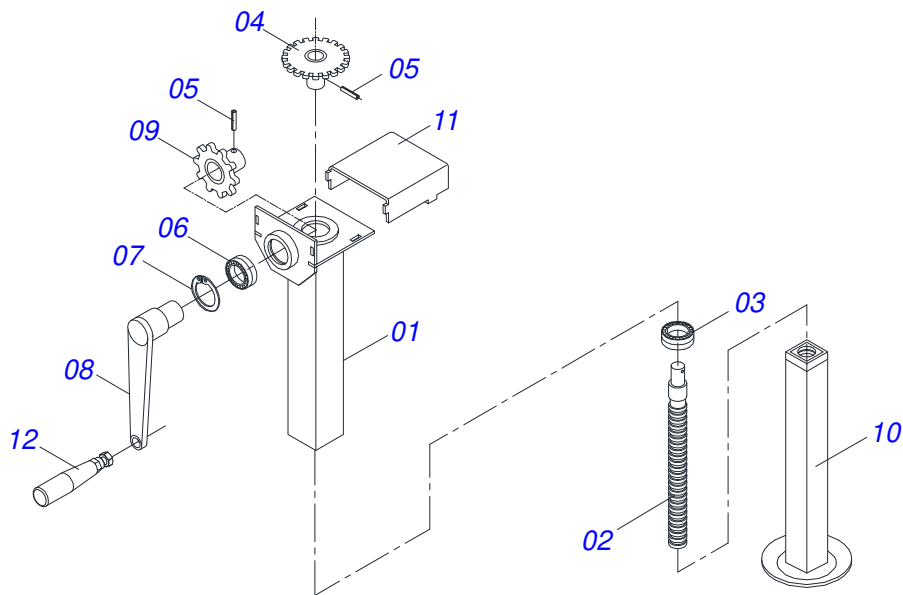


Item	Code	Description	See page	12	16	20
01	0511067220	FRONT FRAME		01	00	00
02	0511067221	FRONT FRAME		00	01	00
03	0511067222	FRONT FRAME		00	00	01
04	0511067224	REAR FRAME		01	00	00
05	0511067225	REAR FRAME		00	01	00
06	0511067226	REAR FRAME		00	00	01
07	0511067487	FRONT STABILIZER BAR		01	00	00
08	0511067182	FRONT STABILIZER BAR		00	01	01
09	0511067488	REAR STABILIZER BAR		01	00	00
10	0511067192	REAR STABILIZER BAR		00	01	01
11	0511067183	HITCH BAR		01	01	01
12	0511041592	DRAWBAR ASSY		01	01	01
12A	0511064669	DRAWBAR ASSY		01	01	01
12B	0502040263	ANEL TRAVA ENGATE		01	01	01
12C	0561017306	COUPLING SHAFT		01	01	01
12D	0503010523	1/4" X 2" COTTERPIN		01	01	01
12E	0502040293	YH-90 CLEVIS		01	01	01
12F	0511067199	2" BOLT		01	01	01
12G	0502040264	DRAWBOLT		01	01	01
12H	0502040558	2" CASTLE NUT		01	01	01
12I	0503010074	3/8 X 0,15" COTTERPIN		01	01	01
12J	0511064659	UPPER PLATE		01	01	01
12K	0511064658	LOWER PLATE		01	01	01
12L	0521011880	37,5 X 242 COUPLING SHAFT		06	06	06
12M	0501012916	FLAT WASHER 38,50 X 66 X 4,75 ZN		06	06	06
12N	0501011301	1.1/2 UNC 6FPP 2.5/16 NUT		06	06	06
12O	0503010010	1/4" X 2.1/2" COTTERPIN		06	06	06
13	0511064771	FRONT SCRAPER SUPPORT		12	16	20
14	0521013678	FRONT CLEANER		06	08	10
15	0521013679	REAR CLEANER		06	08	10
16	0521062849	HOSE HOLDER ASSY		01	01	01

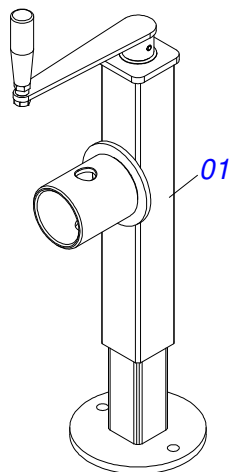


GASPM-EHD 10020
ASSY FRAME - 12/16/20D

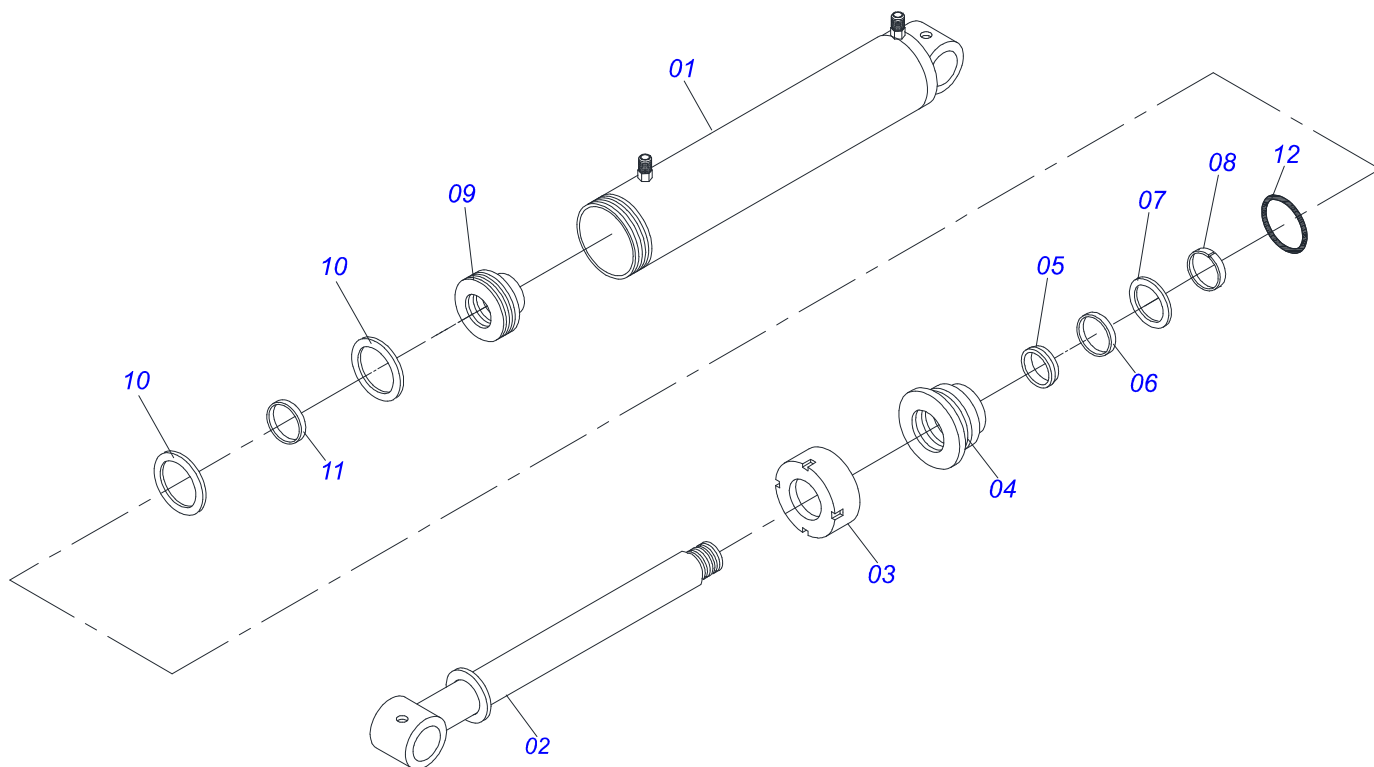
Item	Code	Description	See page	12	16	20
17	0521011481	FRAME BATTERY		01	01	01
18	0511048088	DRAWBAR JACK	4	01	01	01
19	0511042161	2.1/2" ROD STOP ASSY		01	01	01
20	0511042162	2.1/2" ROD STOP ASSY		01	01	01
21	0511042163	2.1/2" ROD STOP ASSY		01	01	01
22	0511042164	2.1/2" ROD STOP ASSY		01	01	01
23	0511042165	2.1/2" ROD STOP ASSY		01	01	01
24	0511042166	2.1/2" ROD STOP ASSY		01	01	01
25	0501069350	230 PIVOT SHAFT WITH PULL		01	01	01
26	0503031035	HAIR PIN		01	01	01
27	0531018099	37,50 X 190 COUPLING SHAFT		02	02	02
28	0501011301	1.1/2 UNC 6FPP 2.5/16 NUT		04	04	04
29	0503010010	1/4" X 2.1/2" COTTERPIN		04	04	04
30	0531018100	37,50 X 200 COUPLING SHAFT		02	02	02
31	0541011899	2.9" X 20" COUPLING SHAFT		04	04	04
32	0511013244	FLAT WASHER		08	08	08
33	0503012660	1" X 4" BOLT		08	08	08
34	0503013635	1" NUT		16	16	16
35	0541011534	FLAT WASHER		04	04	04
36	0541011205	DRAWBAR LOCK SAFETY		02	02	02
37	0503013150	1300 X 3/8 CHAIN		01	01	01
38	0501061044	2-1/8" AND 2-1/2" CABLE FLAT WRENCH		02	02	02
39	0501011432	1-1/2" AND 1-5/8 GANG BOLT WRENCH		01	01	01
40	0503016137	1-1/4" WRENCH CABLE CYLINDER		01	01	01
41	0503010023	3/4" SPRING WASHER		02	02	02
42	0503010014	3/4" NUT		25	33	41
43	0501010500	3/4"X3"BOLT		24	32	40
44	0541010763	FLAT WASHER		48	64	80
45	0503012195	5/8" NUT		24	32	40
46	0503010027	5/8" SPRING WASHER		25	33	41
47	0503010013	5/8" NUT		25	33	41
48	0501010108	5/8" X 1" BOLT		01	01	01
49	0501012140	FLAT WASHER		01	01	01
50	0521010573	0.9" X 3.1" COUPLING SHAFT		02	02	02
51	0503030012	HAIR PIN		01	01	01
52	0503010571	1/4" X 1.1/2 COTTERPIN		01	01	01
53	0501069343	WRENCH FIXER		01	01	01
54	0521011722	FLAT WASHER		01	01	01
55	0503010002	1800 GREASE FITTING		14	14	14
56	0561014251	COUPLING SHAFT		01	01	01
57	0503030285	HAIR PIN		01	01	01
58	0521011721	1.6" X 3.94" X 0.12" WASHER		02	02	02
59	0541011924	INNER SLEEVE 74,5 X 87 X 100		05	05	05
60	0541017470	SLEEVE		03	03	03
61	0531019074	SLEEVE		02	02	02



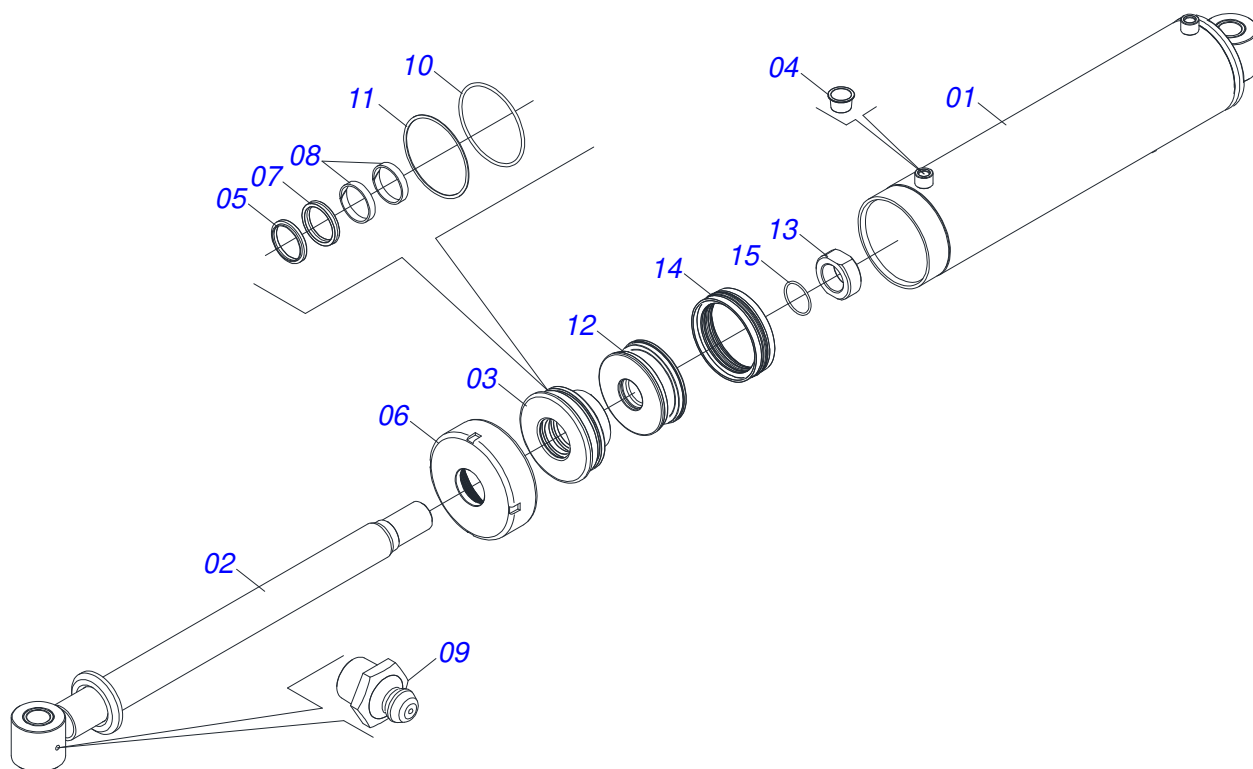
Item	Code	Description	See page	QT
01	0511065948	OUTER BODY DRAWBAR JACK		01
02	0531017603	JACK SPINDLE		01
03	0503013092	51305 BEARING		01
04	0511064234	20Z DRIVER GEAR		01
05	0503010561	SPRING PIN		02
06	0503011410	ROLLER BEARING		01
07	0503011105	SEAL RING		01
08	0511064235	JACK CRANK		01
09	0511064233	10Z DRIVER GEAR		01
10	0511064236	JACK INNER BODY		01
11	0531017602	PROTECTION COVER GEAR		01
12	0503011312	ROTATIVE CABLE		01



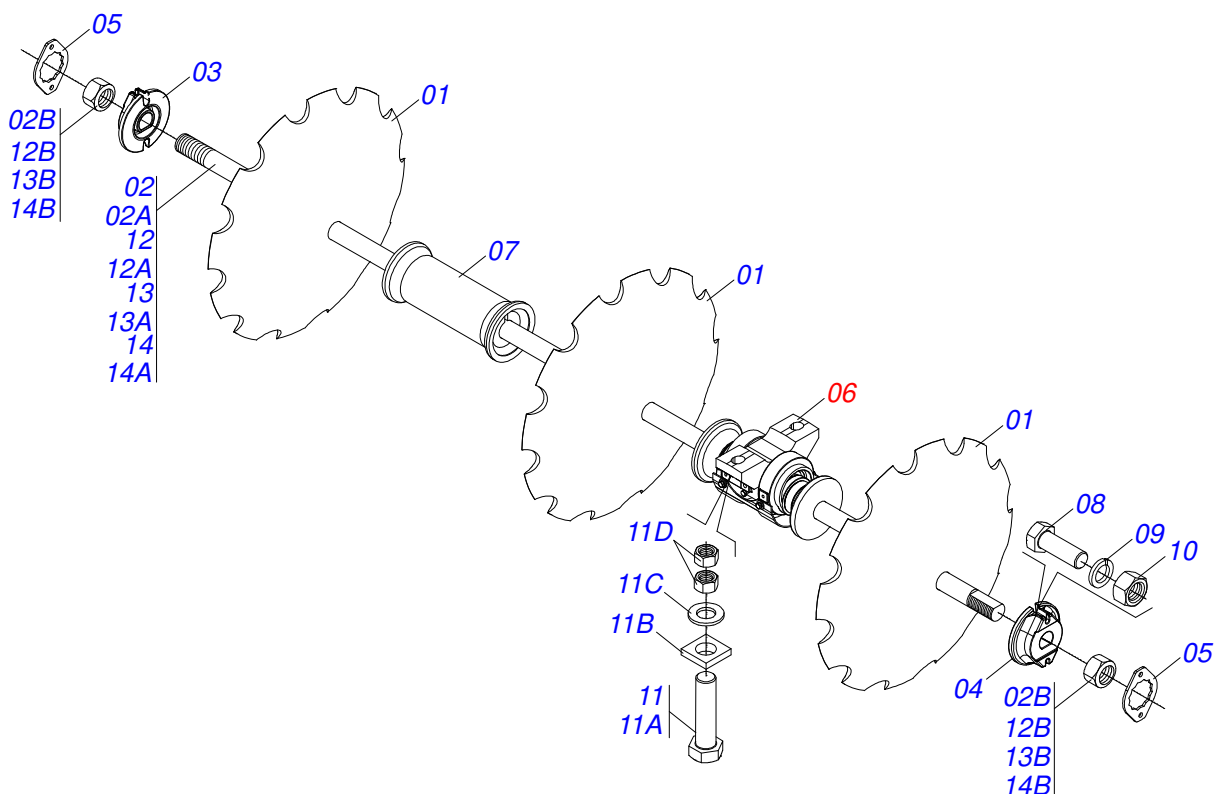
Item	Code	Description	See page	QT
01	0503062227	DRAWBAR JACK		01



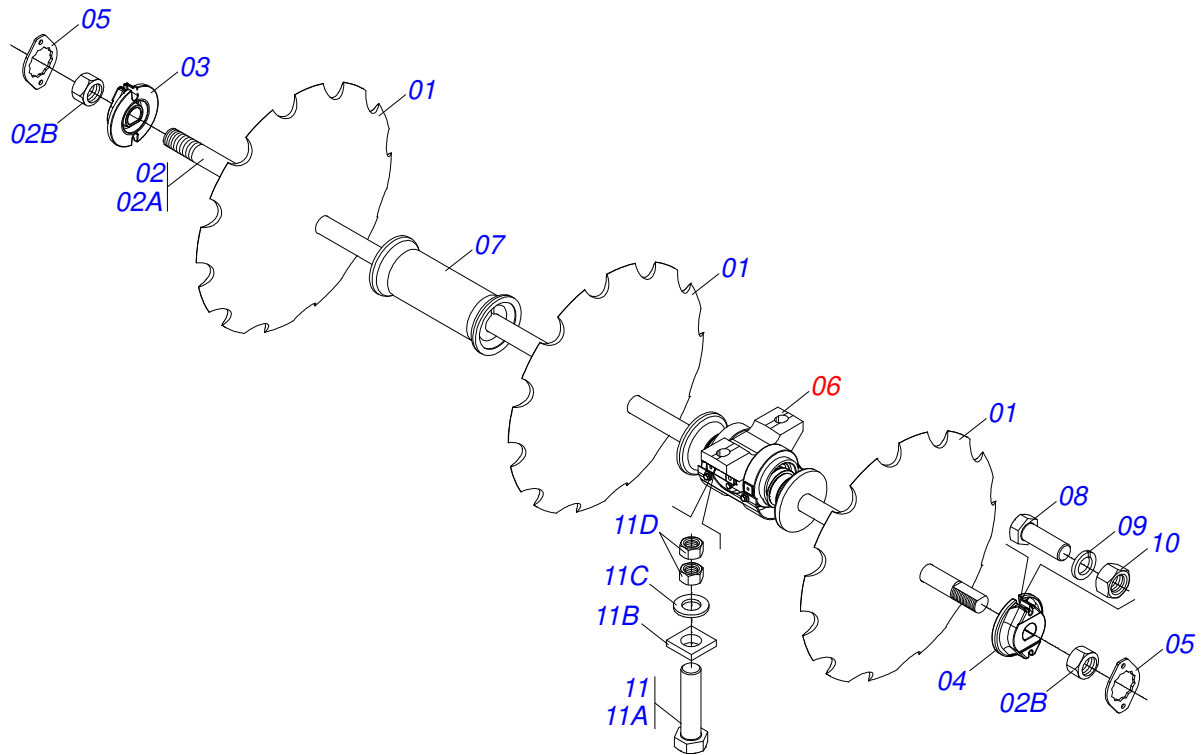
Item	Code	Description	See page	QT
00	0511043185	HYDRAULIC CYLINDER 63,50 X 150 X 770 X 310	5	00
01	0511065971	150 X 468 CYLINDER CASE		01
02	0511065972	63,50 X 662 TURNBUCKLE		01
03	0541010615	6" END CAP		01
04	0502012375	TURNBUCKLE GUIDE		01
05	0503010287	D-2500 SCRAPER RING		01
06	0503012497	RING (TEFLON)		01
07	0503010288	PACKING 2500-2500-375-B		01
08	0503010971	W2-2750-500 PK RING G.I		01
09	0502012319	150 PISTON		01
10	0503013441	OE PACKING 150		02
11	0503012825	RING (TEFLON) CH 61100		01
12	0503010704	2-357 N 3006-9B O'RING		01
13	0501034665	HYDRAULIC CYLINDER REPAIR KIT		01



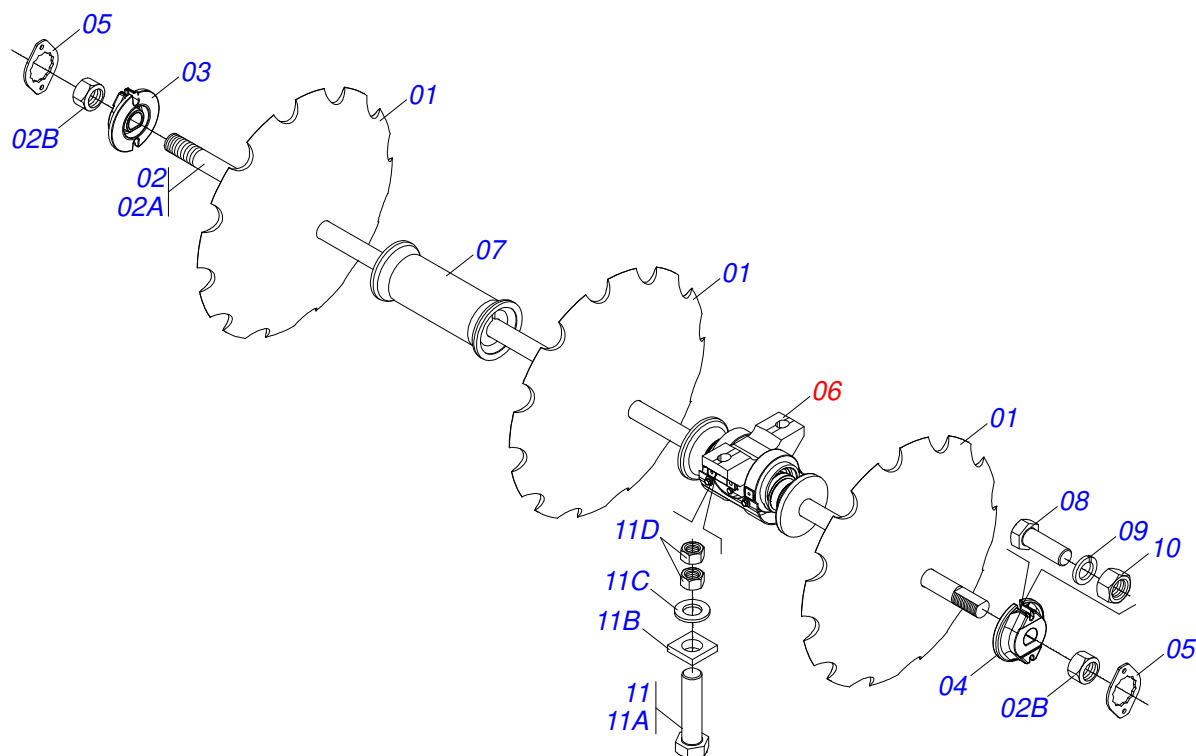
Item	Code	Description	See page	QT
01	0511067335	150 X 710 CYLINDER CASE		01
02	0521069121	TURNBUCKLE		01
03	0581018237	RING SUPPORT 63.50 X 150 X 80		01
04	0503030384	CON PLUG N-001		02
05	0503010287	D-2500 SCRAPER RING		01
06	0541010615	6" END CAP		01
07	0503014960	GASKET		01
08	0503010971	W2-2750-500 PK RING G.I		02
09	0503010002	1800 GREASE FITTING		02
10	0503010704	2-357 N 3006-9B O'RING		01
11	0503019286	BACK-UP RING 8-357		01
12	0581018236	PISTON 150 X 57 GASPM EHD 16		01
13	0581018235	10 X 30 NUT		01
14	0503015912	SELEMASTER SEALING		01
15	0503019098	O' RING 2-227 N 3006-90B		01



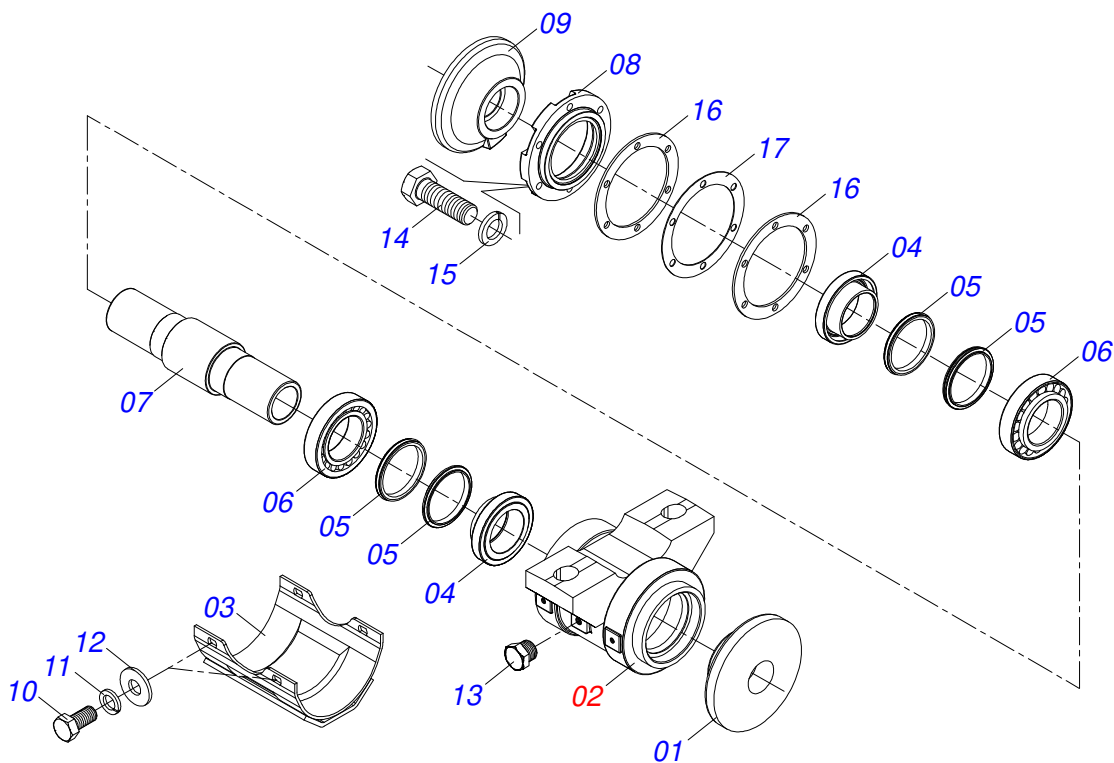
Item	Code	Description	See page	10	12	16	20
01	0602048051	36" X 12MM NOTCHED DISC BLADE		10	12	16	20
02	0511042421	2-1/2" X 91.7" AXLE WITH NUTS		02	00	00	00
02A	0541011893	2-1/2" X 91.7" AXLE		01	00	00	00
02B	0502040064	2.1/2"SNC X 70 99 NUT		02	00	00	00
03	0502010592	2-1/2" INNER AXLE WASHER		02	02	04	04
04	0502010593	2-1/2" EXTERNAL AXLE WASHER		02	02	04	04
05	0541010368	NUT LOCK		04	04	08	08
06	0511042200	495MM X 2-1/2" RD. OIL BATH BEARING	10	04	04	08	08
07	0502012414	SPACER		04	06	04	08
08	0503010232	5/8" X 1.3/4" BOLT		08	08	16	16
09	0503010027	5/8" SPRING WASHER		08	08	16	16
10	0503010013	5/8" NUT		08	08	16	16
11	0501041301	1-1/4"X 5-3/4" ASSY BOLT		08	08	16	16
11A	0501010954	1-1/4" X 5-3/4" BOLT		08	08	16	16
11B	0501010953	1-1/4" SQUARE WASHER		08	08	16	16
11C	0531010713	FLAT WASHER		08	08	16	16
11D	0501010087	1.1/4" NUT		16	16	24	24
12	0511044953	2-1/2" X 2815 AXLE		00	02	00	00
12A	0551010438	2.1/2" X 2815 AXLE		00	01	00	00
12B	0502040064	2.1/2"SNC X 70 99 NUT		00	02	00	00
13	0511044898	2.1/2 X 1810 AXLE WITH NUTS		00	00	04	00
13A	0551010075	2.1/2 X 1810 AXLE		00	00	01	00
13B	0502040064	2.1/2"SNC X 70 99 NUT		00	00	02	00
14	0511042421	2-1/2" X 91.7" AXLE WITH NUTS		00	00	00	04
14A	0541011893	2-1/2" X 91.7" AXLE		00	00	00	01
14B	0502040064	2.1/2"SNC X 70 99 NUT		00	00	00	02



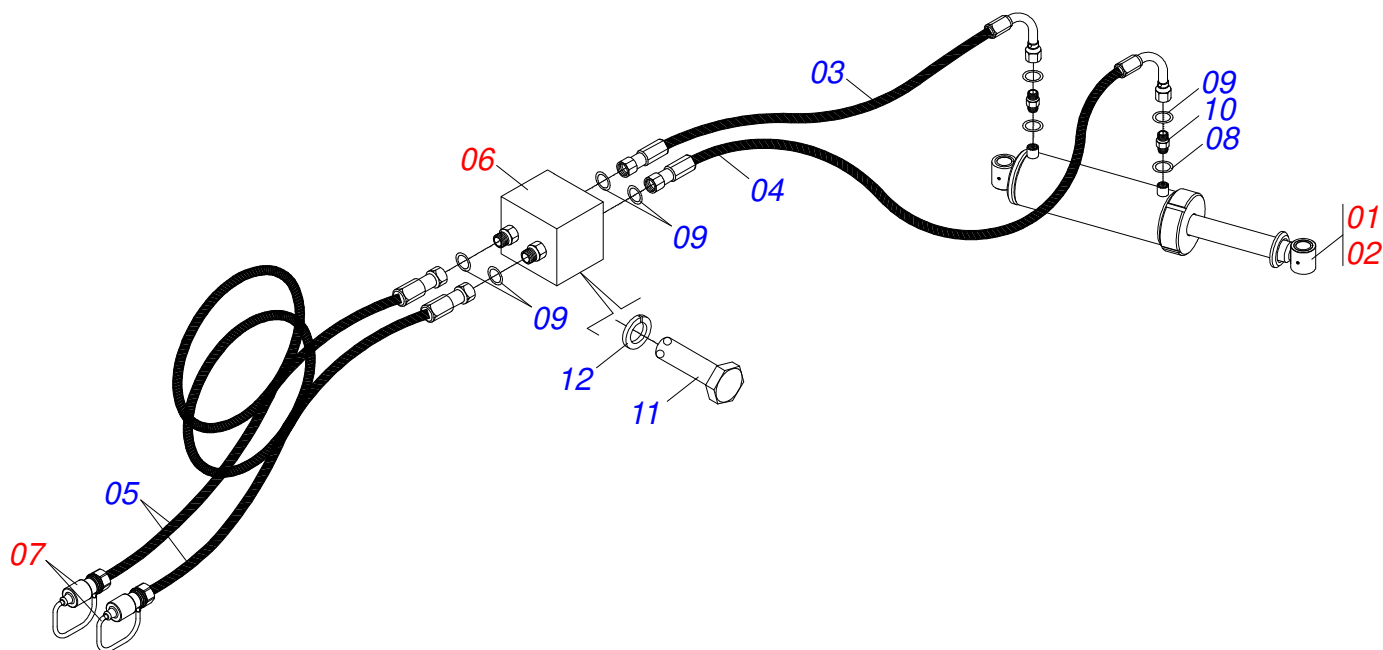
Item	Code	Description	See page	QT
01	0602052022	42" X 12MM NOTCHED DISK		12
02	0511044953	2-1/2" X 2815 AXLE		02
02A	0551010438	2.1/2" X 2815 AXLE		01
02B	0502040064	2.1/2"SNC X 70 99 NUT		02
03	0502010592	2-1/2" INNER AXLE WASHER		02
04	0502010593	2-1/2" EXTERNAL AXLE WASHER		02
05	0541010368	NUT LOCK		04
06	0511042200	495MM X 2-1/2" RD. OIL BATH BEARING	10	04
07	0502012414	SPACER		06
08	0503010232	5/8" X 1.3/4" BOLT		08
09	0503010027	5/8" SPRING WASHER		08
10	0503010013	5/8" NUT		08
11	0501041301	1-1/4"X 5-3/4" ASSY BOLT		08
11A	0501010954	1-1/4" X 5-3/4" BOLT		08
11B	0501010953	1-1/4" SQUARE WASHER		08
11C	0531010713	FLAT WASHER		08
11D	0501010087	1.1/4" NUT		16



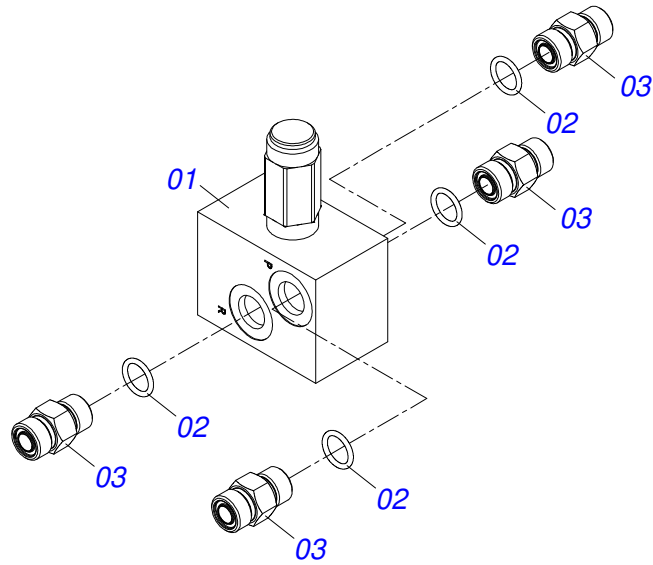
Item	Code	Description	See page	QT
01	0602051017	NOTCHED DISK		16
02	0511044898	2.1/2 X 1810 AXLE WITH NUTS		04
02A	0551010075	2.1/2 X 1810 AXLE		01
02B	0502040064	2.1/2"SNC X 70 99 NUT		02
03	0502010592	2-1/2" INNER AXLE WASHER		04
04	0502010593	2-1/2" EXTERNAL AXLE WASHER		04
05	0541010368	NUT LOCK		08
06	0511042200	495MM X 2-1/2" RD. OIL BATH BEARING	10	08
07	0502012414	SPACER		04
08	0503010232	5/8" X 1.3/4" BOLT		16
09	0503010027	5/8" SPRING WASHER		16
10	0503010013	5/8" NUT		16
11	0501041301	1-1/4"X 5-3/4" ASSY BOLT		16
11A	0501010954	1-1/4" X 5-3/4" BOLT		16
11B	0501010953	1-1/4" SQUARE WASHER		16
11C	0531010713	FLAT WASHER		16
11D	0501010087	1.1/4" NUT		24



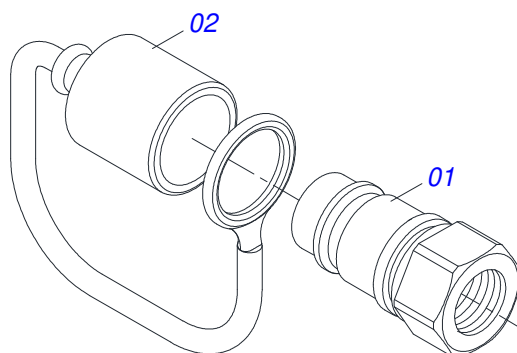
Item	Code	Description	See page	QT
01	0502012846	BEARING INNER FLANGE		01
02	0502012415	HOUSING BEARING		01
03	0521062889	PROTECTION CAP		01
04	0502040119	SEAL RETAINER		02
05	0503030029	SEAL # LP JB-259		04
06	0503013243	32218 ROLLER BEARING		02
07	0502012226	425 BEARING AXLE		01
08	0502010644	HOUSING CAP DM		01
09	0502012847	BEARING OUTER FLANGE		01
10	0503010834	1/2 X 1 BOLT		04
11	0503010019	1/2" SPRING WASHER		04
12	0511017302	FLAT WASHER		04
13	0503010856	OIL PLUG		02
14	0501010063	1/2" X 1-1/2" BOLT		06
15	0503011440	SPRING WASHER		06
16	0503030537	8.3" X 6.3" X 0.01" JOINT		02
17	0503030687	8.3" X 6.3" X 0.004" JOINT		01



Item	Code	Description	See page	10	12	16	20
01	0511043185	HYDRAULIC CYLINDER 63,50 X 150 X 770 X 310	5	01	01	00	00
02	0511044812	63,50 X 150 X 950 X 550 HYDRAULIC CYLINDER	6	00	00	01	01
03	0501080969	1/2" X 750 TR-TC OFS HOSE		01	01	01	01
04	0501081115	1/2" X 1330 TC-TR HOSE ASSY		01	01	01	01
05	0501080917	1/2" X 5500 TR-TM HOSE ASSY		02	02	02	02
06	0501055696	DISCHARGE VALVE OFS ASSY	12	01	01	01	01
07	0501053834	MALE QUICK COUPLER WITH CAP - 1/2 NPT	13	02	02	02	02
08	0503010190	2-114 N 3006-9B O'RING		02	02	02	02
09	0503011030	2-014 N 3006-9B O'RING		06	06	06	06
10	0503030923	3/4" UNF X 13/16UN OFS X 40 NIPPLE		02	02	02	02
11	0503010237	3/8" X 1" BOLT		02	02	02	02
12	0503010025	3/8" SPRING WASHER		02	02	02	02



Item	Code	Description	See page	QT
01	0503010919	DISCHARGE VALVE		01
02	0503010190	2-114 N 3006-9B O'RING		04
03	0503030923	3/4" UNF X 13/16UN OFS X 40 NIPPLE		04



Item	Code	Description	See page	QT
01	0503011627	MALE QUICK COUPLER AGR 1/2 NPT		01
02	0503011882	MALE QUICK COUPLER CAP		01



MARCHESAN

Technical Publications | Elaboration and Revision

JOSÉ DOMINGOS GASPARI

www.marchesan.com.br

