

**CHASER BIN**

**DCA2 5500 RD**

**Code:** 0501091495

**Series:** S-0398

**Revision:** 00

**Date Revision:** JULHO/2012

# PARTS CATALOGUE



**MARCHESAN**



# PRODUCTS

Code	Description
0109090022	DCA2 5500 RD S-0398
0109090032	DCA2 5500 RD C/PNEU 11L15 S-0398
0109090036	DCA2 5500 RD EI S-0398
0109090155	DCA2 5500 RD S/PNEU S-0398

## ATTENTION: IMPORTANT

Marchesan S.A. reserves the right to improve and/or modify the technical features of its products, without obligation to do the same with those products already sold and without prior knowledge of the dealer or the consumer. The photos are only illustrative.



# INDEX

0909090483	FRAME ASSY	.....	1
0501046801	GEAR BOX DISTRIBUTOR	.....	2
0501048241	DRIVE SHAFT	.....	3
0511041259	DRAWBAR JACK ASSY	.....	4
0501047359	CARDAN TRANSMISSION HUB ASSY	.....	5
0501048409	DRIVE SHAFT	.....	6
0501047985	REDUCER	.....	7
0501046805	DRIVE SHAFT	.....	8
0501046998	CONTROLLER ASSY	.....	9
0511044878	DAMPER ASSY DCA2 RD	.....	10
0909093608	STEEL RUNNING MACHINE - DCA2 5500 MC	.....	11
0501044308	AGRICULTURAL BEARING ASSY	.....	12
0511048904	DRIVE THE TRANSPORT	.....	13
0909093618	WHEEL ASSY	.....	14
0501051142	CARRYING WHEEL HUB	.....	15
0503060206	29.5"X0.6"- 10L WHEEL AND TIRE ASSY	.....	16
0503060181	WHEEL AND TIRE	.....	17





DCA2 5500 RD  
FRAME ASSY

Item	Code	Description	See page	QT
018	0501012140	FLAT WASHER		20
019	0503010027	5/8" SPRING WASHER		14
020	0503010013	5/8" NUT		11
021	0511016481	MOTOR SHAFT		01
022	0501010794	HIDR CHOCK REGULATOR		04
023	0503010740	BOLT 1/2 UNC X 2 CS G.5 ZN		04
024	0511017302	FLAT WASHER		08
025	0503010019	1/2" SPRING WASHER		10
026	0503010060	1/2" NUT		12
027	0501067591	DRIVE THE FERTILIZER TRANSPORT		01
028	0501067853	ROD STABILIZER		02
029	0501010540	KEYWAY SQUARE		02
030	0511016540	MAT COUPLING FLANGE		01
031	0511016541	REDUCTION COUPLING FLANGE		01
032	0503010849	3/8" X 1-1/2" BOLT		03
033	0501047985	REDUCER	7	01
034	0503011167	M16 X 2 X 30 BOLT		04
035	0501067203	RIGHT FLOW DIVIDING		01
036	0501067361	LEFT FLOW DIVIDING		01
037	0511016530	TENSIONER OPEN		01
038	0501067368	DIVISOR REGULATOR OPEN		01
039	0501064914	RH GEAR BOX SUPPORT ARM		01
040	0501064915	LH GEAR BOX SUPPORT ARM		01
041	0503010920	1/2" X 1.1/2" BOLT		08
042	0501046801	GEAR BOX DISTRIBUTOR	2	01
043	0521011936	88.98" TRANSMISSION AXLE		01
044	0501069017	12Z GEAR		01
045	0503011268	3/8" X 2-1/2" BOLT		10
046	0501069020	35Z GEAR		01
047	0503011141	3/8" X 2-3/4" BOLT		01
048	0501044306	BATH BEARING		03
048A	0503011146	HOUSING BEARING		02
048B	0503011162	BALL BEARING		02
049	0503011135	BOLT		12
050	0503010180	7/16" SPRING WASHER		12
051	0503010244	7/16" NUT		12
052	0501050818	CARDAN LEVER SUPPORT		01
052A	0501066588	CARDAN LARGE SUPPORT		01
052B	0511014066	CARDAN SMALLE SUPPORT		01
052C	0503030198	0.6" X 2.4" X 0.1" EXTENSION SPRING		01
052D	0503010257	1/8" X 1" COTTERPIN		01
053	0501047359	CARDAN TRANSMISSION HUB ASSY	5	01
054	0501051972	DISTRIBUTOR RIGHT DISC ASSY		01
054A	0501069605	DISTRIBUTOR DISC		01
054B	0521018637	RH FLIP		04
054C	0503013029	3/8" X 3/4" BOLT		16
055	0501051973	DISTRIBUTOR LEFT DISC ASSY		01
055B	0521018638	LH FLIP		04
056	0501019838	BAMPER		01
057	0501069166	TRACTOR HITCH		01
058	0521015342	WASHER SPACER		01
059	0521010681	BUSHING COUPLING BODY		01
060	0521010639	COUPLING SHAFT		01
061	0503010571	1/4" X 1.1/2 COTTERPIN		01
062	0511061156	COVER		01
063	0501047998	BELL CRANK FIXATION SUPPORT ASSY		01
063A	0501069182	RIGHT ROCKER ARM		01
063B	0501069183	LEFT ROCKER ARM		01
063C	0501066174	BELL CRANK FIXATION SUPPORT		01



DCA2 5500 RD  
FRAME ASSY

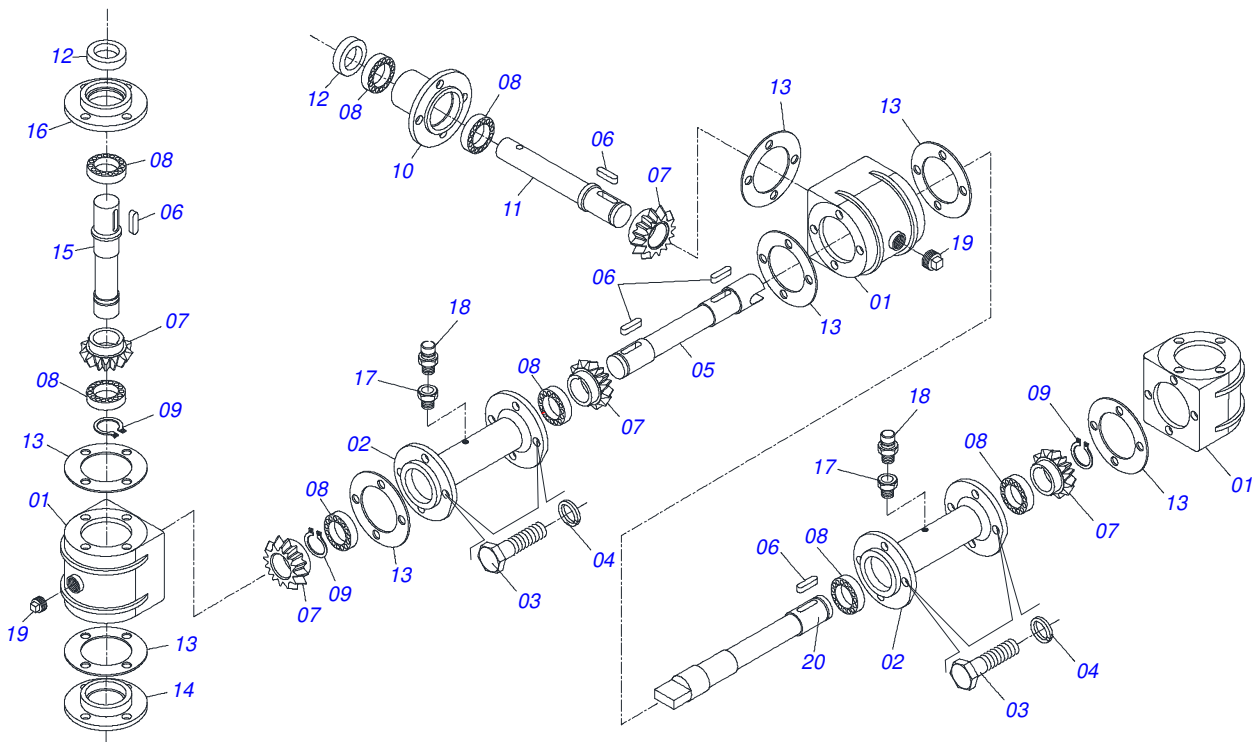
Item	Code	Description	See page	QT
063D	0521011118	COUPLING SHAFT		01
063E	0521010641	COUPLING SHAFT		01
063F	0521010956	PIVOT SHAFT		02
063G	0503010534	3/8 X 2-1/2 COTTERPIN		02
063H	0501051142	CARRYING WHEEL HUB	15	04
063Ha	0502011121	CARRYING WHEEL HUB		01
063Hb	0503010006	32210 ROLLER BEARING		01
063Hc	0503010037	30207 ROLLER BEARING		01
063Hd	0503012928	SEAL		01
063He	0501010127	9/16" X 1-7/8" LUG BOLT		06
063Hf	0503010035	9/16" CONIC NUT		06
063I	0511017480	FLAT WASHER		04
063J	0503030009	1" CASTLE NUT		04
063K	0503010018	5/32 X 1-1/2 COTTERPIN		04
063L	0502020591	PROTECCION COVER		04
063M	0503010178	5/16" X 7/8" BOLT		16
063N	0503010002	1800 GREASE FITTING		08
064	0501019460	REAR PROTECTION		01
065	0503011716	50-1 X 87 CHAIN LINK + MENDING		01
066	0501050828	CHAIN TENSIONER		01
066A	0511016574	TIGHTENER AXLE		01
066B	0511016554	TENSIONER ROLD		02
066C	0501010301	FLAT WASHER		02
066D	0511015098	FLAT WASHER		01
067	0501046805	DRIVE SHAFT	8	01
067A	0501051729	UNIVERSAL JOINT WITH SLEEVE/PROT		01
067B	0501051727	UNIVERSAL JOINT WITH AXLE/PROT		01
067C	0503012023	CHAIN FOR PROTECTION		06
068	0501048241	DRIVE SHAFT	3	01
068A	0501052179	PROT/SLEEVE UNIVERSAL JOINT		01
068B	0501052180	PROT/AXLE UNIVERSAL JOINT		01
069	0501048783	DRIVE SHAFT		01
069A	0501052162	PROT/SLEEVE UNIVERSAL JOINT		01
069B	0501052163	PROT/AXLE UNIVERSAL JOINT		01
070	0503030751	REGULATOR PLATE		01
071	0501069214	REGULATOR		01
072	0511013015	SLEEVE		01
073	0503010561	SPRING PIN		01
074	0521011107	CRANK BODY		01
075	0503010838	0.1" X 0.8" SPRING PIN		01
076	0503030878	LEVER CRANK		01
077	0503060206	29.5"X0.6"- 10L WHEEL AND TIRE ASSY	16	04
077.	0503060181	WHEEL AND TIRE	17	04
077A	0501068064	0.2"X0.6"X4.6"X6F0.6"X6" WHEEL		04
077A.	0503011468	WEEL		04
077B	0503010033	7.50 X 16 INNER TIRE		04
077B.	0503010860	AIR CHAMBER 11L 15		04
077C	0503010120	CANVAS TIRE		04
077C.	0503010858	CANVAS TIRE		04
078	0501042545	HITCH PIN ASSY		01
078A	0501068989	COUPLING SHAFT		01
078B	0503031035	HITCH PIN CLIP		01
079	0511041259	DRAWBAR JACK ASSY	4	01
080	0521010549	COUPLING SHAFT		01
081	0503030168	HITCH PIN CLIP		01
082	0503010001	3.2 X 5.5 RIVET		05
083	0503010756	0.2" X 2.4" SPRING PIN		02
084	0503013150	1300 X 3/8 CHAIN		01
085	0581011220	COUPLING SHAFT		01



**DCA2 5500 RD**  
**FRAME ASSY**

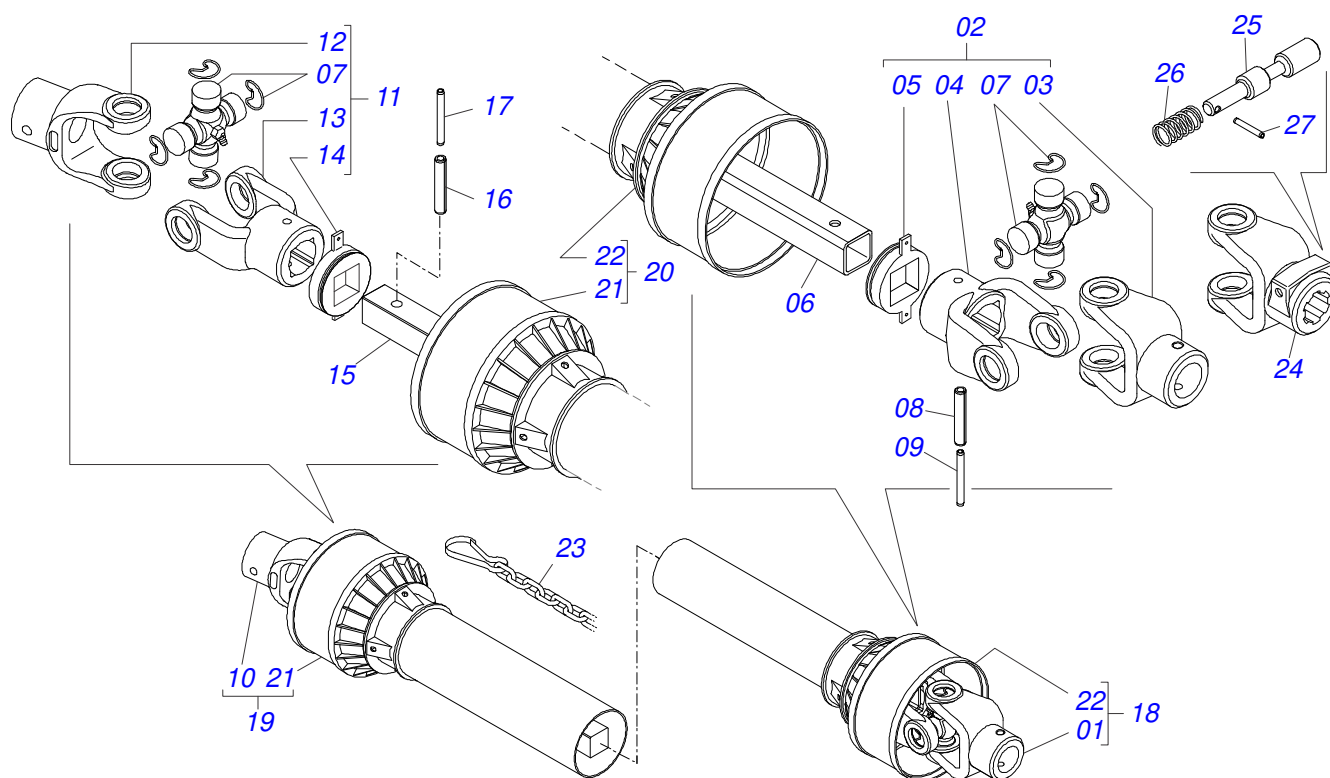
Page 1  
0909090483

Item	Code	Description	See page	QT
086	0503010131	3/16" X 1-1/2" COTTERPIN		21

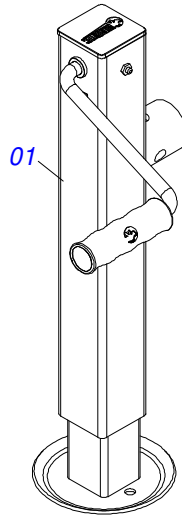


Item	Code	Description	See page	QT
01	0502010312	DISTRIBUTOR REDUCTION BOX	03	
02	0502010313	SLEEVE	02	
03	0503010237	3/8" X 1" BOLT	32	
04	0503010025	3/8" SPRING WASHER	32	
05	0511016553	12.95" REDUCTOR AXLE DISTRIBUTOR	01	
06	0503031030	5/16" X 1.98" KEYWAY	06	
07	0503030153	15Z CONICAL GEAR	05	
08	0503010276	6206 BALL BEARING	10	
09	0503010707	501030 CLAMPING RING (FOR AXLE)	03	
10	0502010437	HUB CENTRAL	01	
11	0511016458	6.89" REDUCTOR AXLE DISTRIBUTOR	01	
12	0503010083	50791MBL SEAL	03	
13	0503030157	5.12" X 3.21" X 0.008" JOINT	18	
14	0502010357	LOWER COVER	02	
15	0511016459	8.66" REDUCTOR AXLE DISTRIBUTOR	02	
16	0502010324	UPPER COVER	02	
17	0511016550	0.87" BREATHING HOLE	02	
18	0503010325	VCA-118 VALVE	02	
19	0503010123	1/2" BSPT PLUG	03	
20	0511017077	11.81" REDUCTOR AXLE DISTRIBUTOR	01	

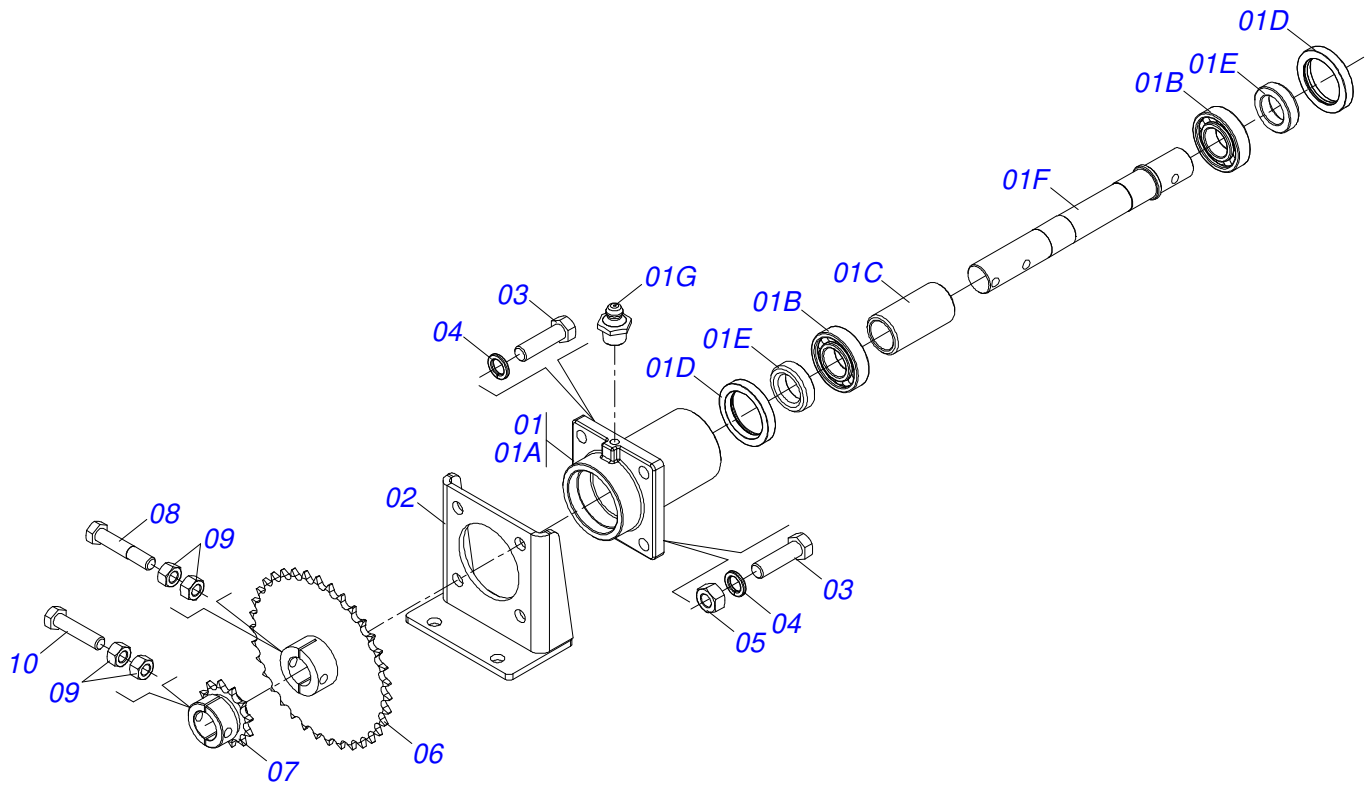




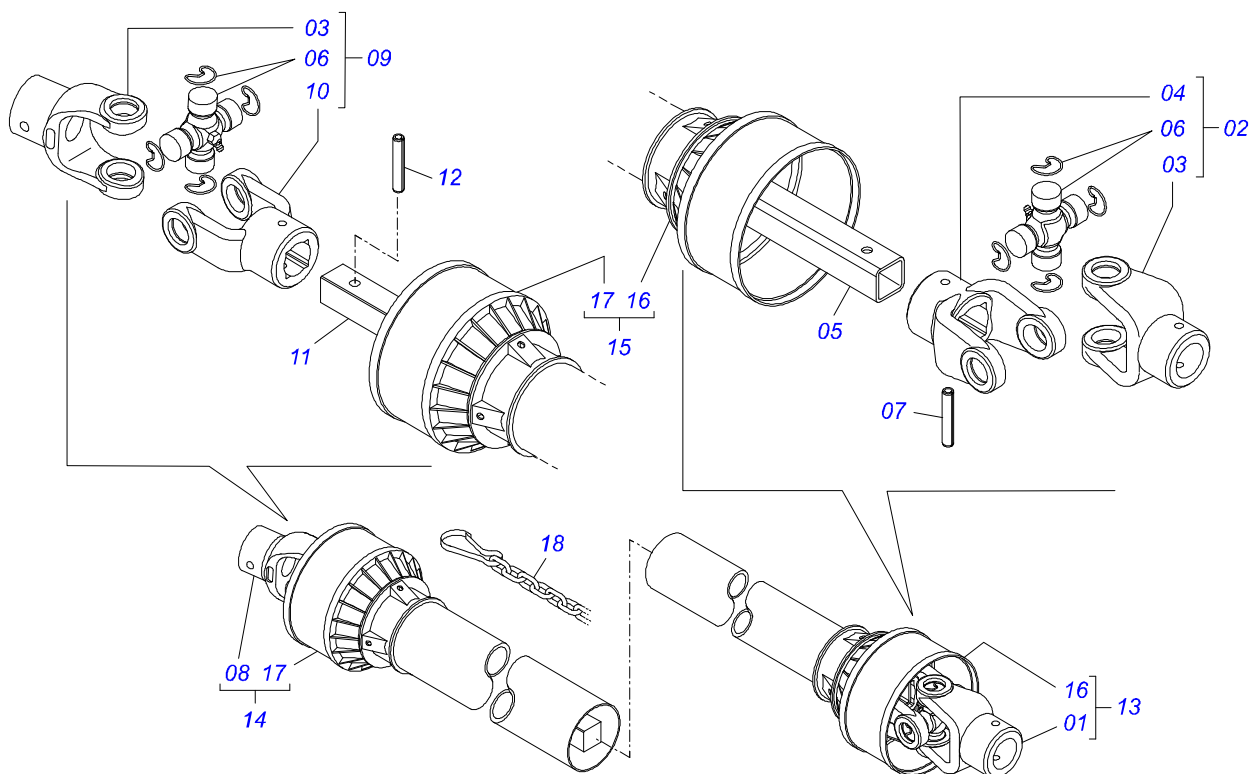
Item	Code	Description	See page	QT
01	0501052176	SLEEVE UNIVERSAL JOINT	01	01
02	0501050265	UNIVERSAL JOINT	01	01
03	0501050333	1-40 TERMINAL WITH HITCH	01	01
04	0502010565	2-40 TERMINAL W/ SH 1.5"/1.5"	01	01
05	0503012069	ADAPTER FOR BUSHING PROTECT	01	01
06	0521013800	16" X 1.4" SQUARE SLEEVE	01	01
07	0503010836	CARDAN CROSSPIECE	02	01
08	0503011069	0.4" X 2.8" SPRING PIN	01	01
09	0503010510	0.2" X 2.6" SPRING PIN	01	01
10	0501052177	AXLE UNIVERSAL JOINT	01	01
11	0501052178	UNIVERSAL JOINT	01	01
12	0502011611	9-40 TERMINAL	01	01
13	0502010566	3-40 TERMINAL WITH SH 1.2"/1.2"	01	01
14	0503012070	ADAPTER FOR AXLE PROTECTION	01	01
15	0521013801	1.2" X 15.7" SQUARE SHAFT	01	01
16	0503010361	SPRING PIN	01	01
17	0503010756	0.2" X 2.4" SPRING PIN	01	01
18	0501052179	PROT/SLEEVE UNIVERSAL JOINT	01	01
19	0501052180	PROT/AXLE UNIVERSAL JOINT	01	01
20	0503012277	PROTECTION ASSY	01	01
21	0503012279	PROTECTION FOR UNIV JOINT AND AXLE	01	01
22	0503012278	PROTECTION FOR UNIV JOINT SLEEVE	01	01
23	0503012023	CHAIN FOR PROTECTION	02	01
24	0502010563	1-40 STRIATED 1.3/8" TERMINAL	01	01
25	0521010638	0.5" X 3.3" QUIC HITCH COUPL SHAFT	01	01
26	0503030518	0.5"X1.0"X 0.1" COMPRESSION SPRING	01	01
27	0503010838	0.1" X 0.8" SPRING PIN	01	01



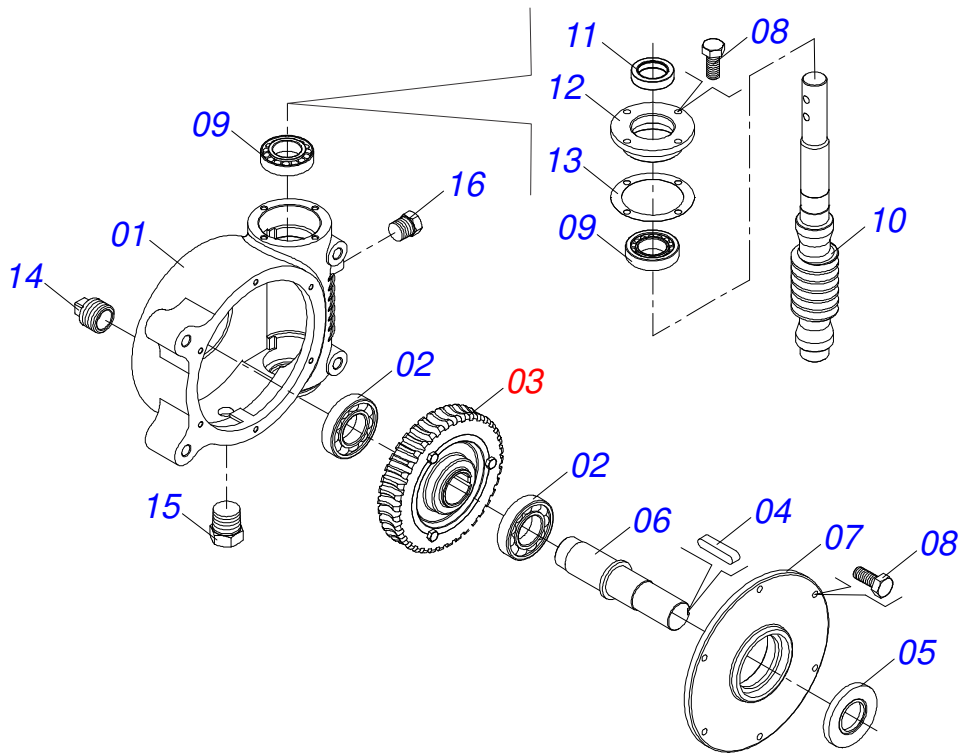
Item	Code	Description	See page	QT
01	0503062157	HEADER JACK		01



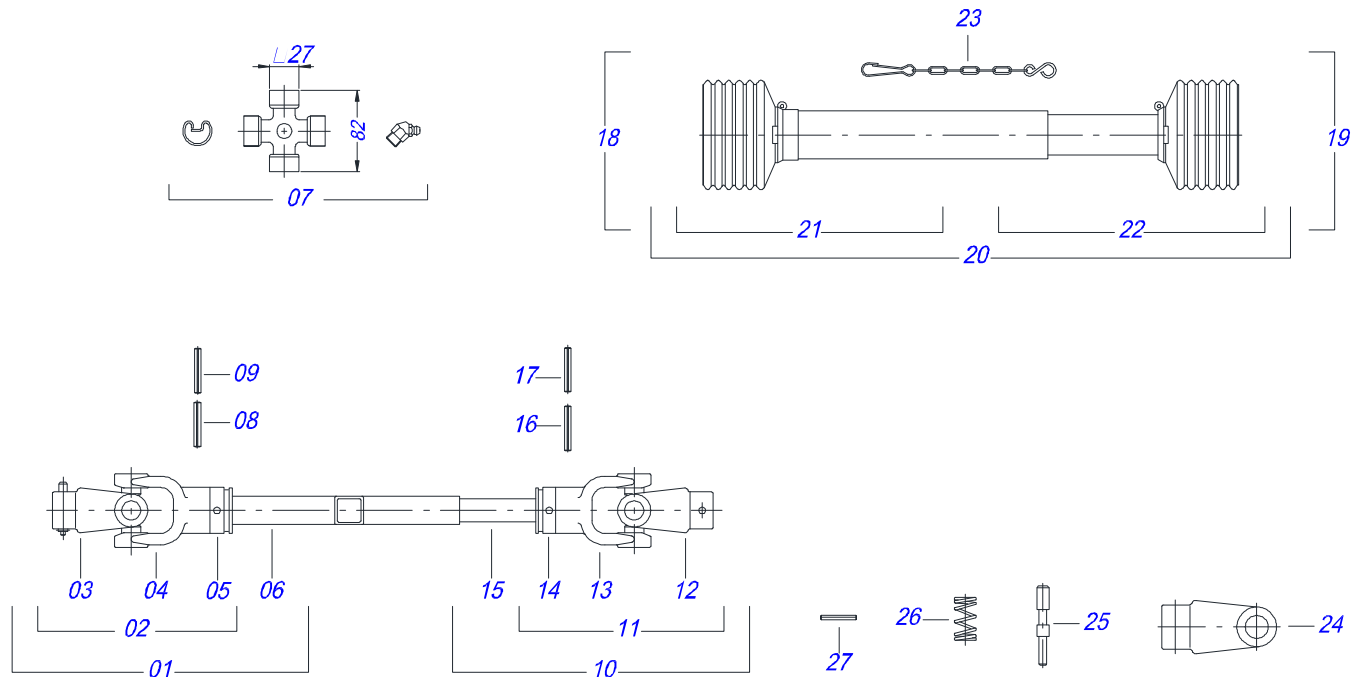
Item	Code	Description	See page	QT
01	0501046852	CARDAN TRANSMISSION HUB		01
01A	0502011282	TRANSMISSION AXLE BOX		01
01B	0503010276	6206 BALL BEARING		02
01C	0511014701	BUSHING 30,16 X 41,28 X 79,00		01
01D	0503010278	SEAL		02
01E	0511014695	BUSHING 29,99 X 48 X 14		02
01F	0511016486	TRANSMISSION AXLE 272		01
01G	0503010002	1800 GREASE FITTING		01
02	0501067586	TRANSMISSION HUB SUPPORT		01
03	0503011135	BOLT		04
04	0503011446	SPRING WASHER		04
05	0503010244	7/16" NUT		02
06	0501069020	35Z GEAR		01
07	0501069017	12Z GEAR		01
08	0503011268	3/8" X 2-1/2" BOLT		01
09	0503010026	3/8" NUT		04
10	0503015752	3/8" X 2" BOLT		01



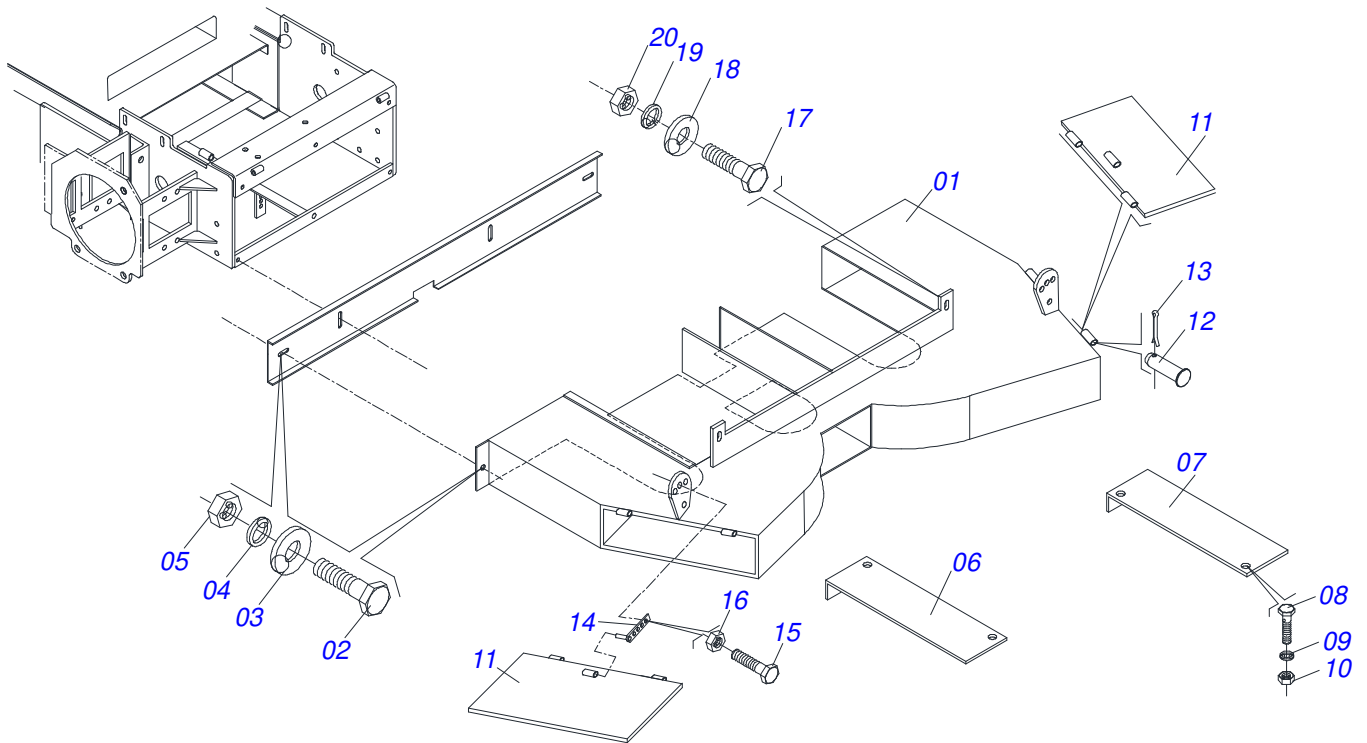
Item	Code	Description	See page	QT
01	0501052160	SLEEVE UNIVERSAL JOINT		01
02	0501051718	UNIVERSAL JOINT		01
03	0502010558	4-20 TERMINAL WITH ROLES		02
04	0502011426	2-20 TERMINAL		01
05	0521013797	0.9"X1.1"X31.5" SQUARE SLEEVE		01
06	0503010835	CARDAN CROSSPICE		02
07	0503010839	03"X 0.6" SPRING PIN		01
08	0501052161	UNIVERSAL JOINT WITH AXLE		01
09	0501051720	UNIVERSAL JOINT		01
10	0502011427	3-20 TERMINAL		01
11	0521013794	0.9" X 31.5 SQUARE SHAFT		01
12	0503010301	0.3" X 1.8" SPRING PIN		01
13	0501052162	PROT/SLEEVE UNIVERSAL JOINT		01
14	0501052163	PROT/AXLE UNIVERSAL JOINT		01
15	0503012268	PROTECTION ASSY		01
16	0503012269	PROTECTION FOR UNIV JOINT SLEEVE		01
17	0503012270	PROTECTION FOR UNIV JOINT AND AXLE		01
18	0503012023	CHAIN FOR PROTECTION		01



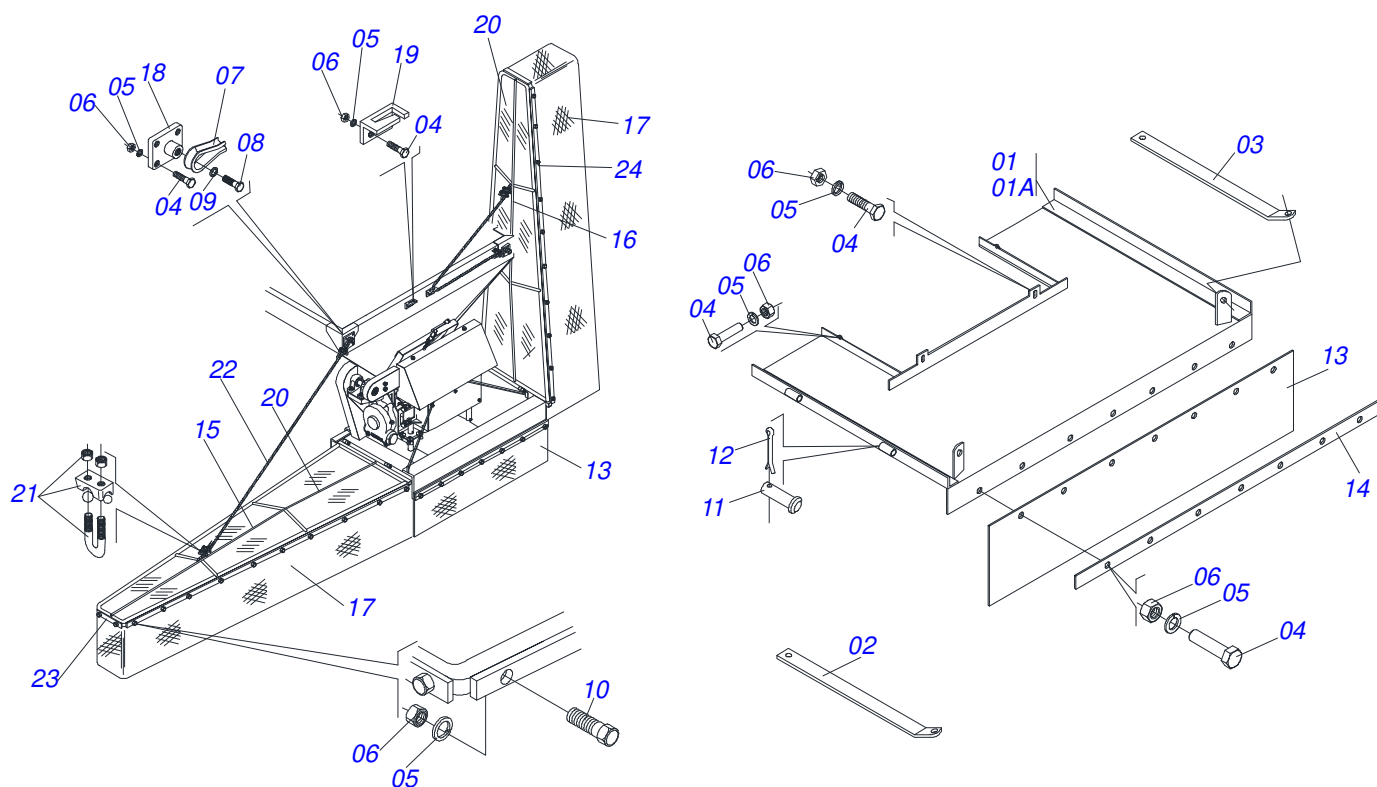
Item	Code	Description	See page	QT
01	0502011456	REDUCTION BOX		01
02	0503011095	6208 BALL BEARING		02
03	0501051774	38Z CROWN		01
04	0503011304	1/2" X 2.4" KEYWAY SQUARE		01
05	0503010818	02675-BRG SEAL		01
06	0521010996	AXLE		01
07	0502020556	LARGER COVER		01
08	0503010240	BOLT		10
09	0503010016	BEARING LM		02
10	0521010997	SCREW THEAD		01
11	0503011171	00912-BRG SEAL		01
12	0502011457	SMALLER COVER		01
13	0503030981	102 X 75,5 X 0,10 JOINT		01
14	0521011023	PLUG		01
15	0503031604	1/2" BSP PLUG		01
16	0503010856	OIL PLUG		01



Item	Code	Description	See page	QT
01	0501051729	UNIVERSAL JOINT WITH SLEEVE/PROT	01	01
02	0501051727	UNIVERSAL JOINT WITH AXLE/PROT	01	01
03	0502010558	4-20 TERMINAL WITH ROLES	01	01
04	0502011426	2-20 TERMINAL	01	01
05	0503012069	ADAPTER FOR BUSHING PROTECT	01	01
06	0501017426	SLEEVE	01	01
07	0503010835	CARDAN CROSSPICE	01	01
08	0503010839	03"X 0.6" SPRING PIN	01	01
09	0503010301	0.3" X 1.8" SPRING PIN	01	01
10	0501051718	UNIVERSAL JOINT	01	01
11	0501051720	UNIVERSAL JOINT	01	01
12	0502011427	3-20 TERMINAL	01	01
13	0502010558	4-20 TERMINAL WITH ROLES	01	01
14	0503012070	ADAPTER FOR AXLE PROTECTION	01	01
15	0511010237	0.9" X 18" SQUARE SHAFT	01	01
16	0503010361	SPRING PIN	01	01
17	0503010756	0.2" X 2.4" SPRING PIN	01	01
18	0501051728	JOINT	01	01
19	0501051725	JOINT	01	01
20	0503012090	PROTECTION FOR UNIV JOINT AND SLEEV	01	01
21	0503012091	PROTECTION FOR UNIV JOINT AND AXLE	01	01
22	0503012279	PROTECTION FOR UNIV JOINT AND AXLE	01	01
23	0503012023	CHAIN FOR PROTECTION	01	01
24	0502010563	1-40 STRIATED 1.3/8" TERMINAL	01	01
25	0521010638	0.5" X 3.3" QUIC HITCH COUPL SHAFT	01	01
26	0503030518	0.5"X1.0"X 0.1" COMPRESSION SPRING	01	01
27	0503010838	0.1" X 0.8" SPRING PIN	01	01

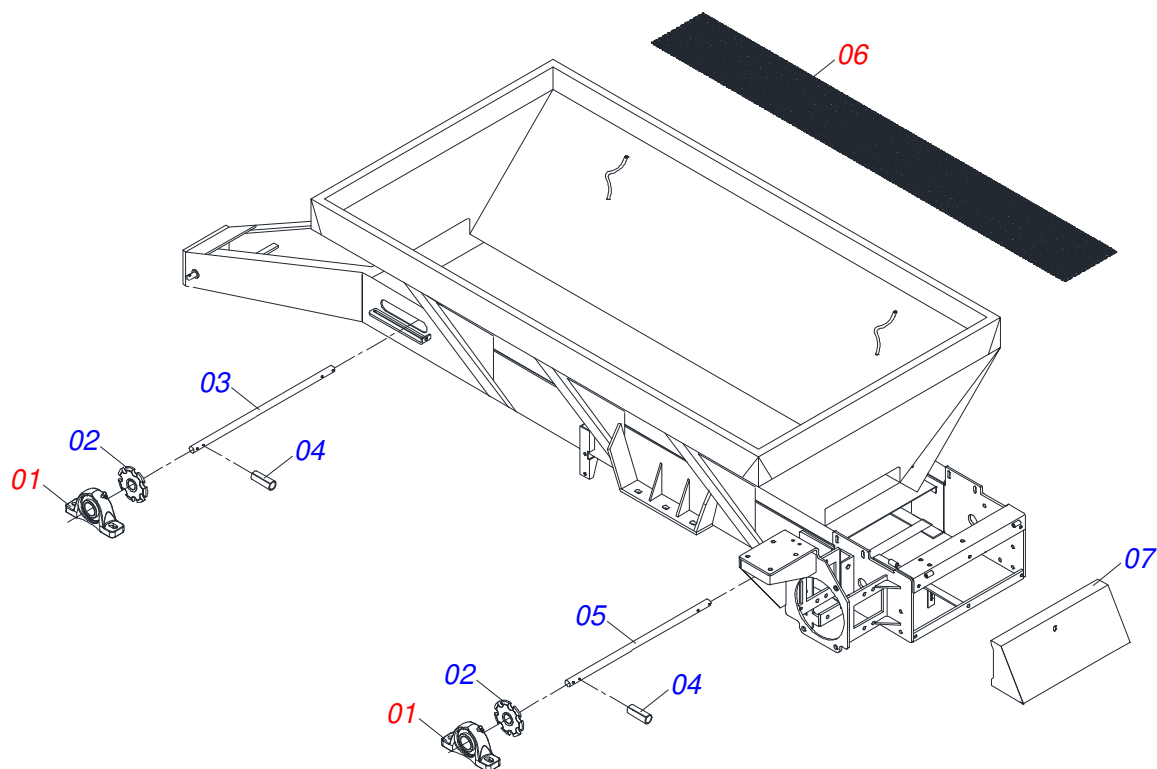


Item	Code	Description	See page	QT
01	0501067808	CONTROLLER DCA2 RD ASSY		01
02	0503010395	1/2" X 1-1/4" BOLT		02
03	0511017302	FLAT WASHER		02
04	0503010019	1/2" SPRING WASHER		02
05	0503010060	1/2" NUT		02
06	0511019224	RH SIDE COVER		01
07	0511019225	LH COVER SIDE		01
08	0503010256	3/8" X 3/4" BOLT		04
09	0503010025	3/8" SPRING WASHER		04
10	0503010026	3/8" NUT		04
11	0501067632	DEFLECTOR		02
12	0501017574	0.3" X 2.7" AXLE		04
13	0503010257	1/8" X 1" COTTERPIN		04
14	0501067368	DIVISOR REGULATOR OPEN		02
15	0503010751	C3/8" X 1.1/4" HEX BOLT G.5		02
16	0503010026	3/8" NUT		04
17	0501010080	3/8" BOLT		02
18	0501010984	FLAT WASHER		02
19	0503010025	3/8" SPRING WASHER		02
20	0503010026	3/8" NUT		02

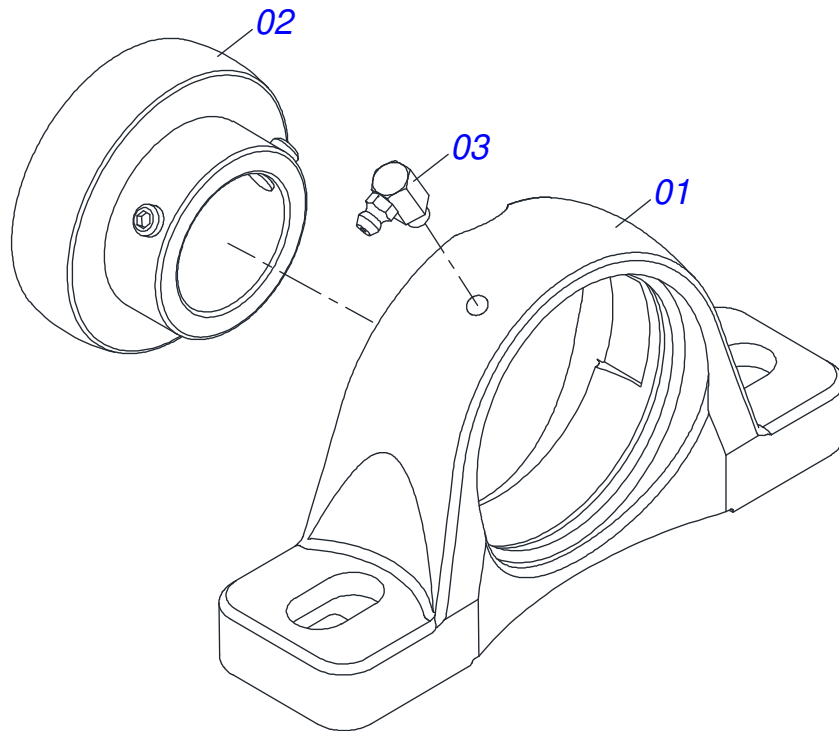


Item	Code	Description	See page	QT
01	0511044878	DAMPER ASSY DCA2 RD	10	01
01A	0511067385	CENTRAL FRAME DAMPER		01
02	0511017465	ATTACHMENT BAR		01
03	0511017466	ATTACHMENT BAR		01
04	0503010237	3/8" X 1" BOLT		67
05	0503010025	3/8" SPRING WASHER		71
06	0503010026	3/8" NUT		71
07	0503011202	BRACKET		04
08	0503010834	1/2 X 1 BOLT		02
09	0503010019	1/2" SPRING WASHER		04
10	0503010751	C3/8" X 1.1/4" HEX BOLT G.5		04
11	0511013803	PIN		04
12	0503010131	3/16" X 1-1/2" COTTERPIN		04
13	0511013810	REAR PROTECTION		01
14	0511013804	REAR RIBBON FIXER BLANKET		01
15	0501066442	RIGHT WING		01
16	0501066443	LEFT WING		01
17	0511013808	BLANKET RUBBER		02
18	0501066514	STELL GUIDE CABLO		02
19	0501066515	STELL SUPPORT CABLO		02
20	0511013809	SUPPORT PROTECTION		02
21	0503010165	5/16" CABLO STEEL STAPLE		08
22	0511013817	STELL CABLE		02
23	0511013806	FIXER CANVAS RIBBON		02
24	0511013793	FIXER SUPPORT CANVAS		04

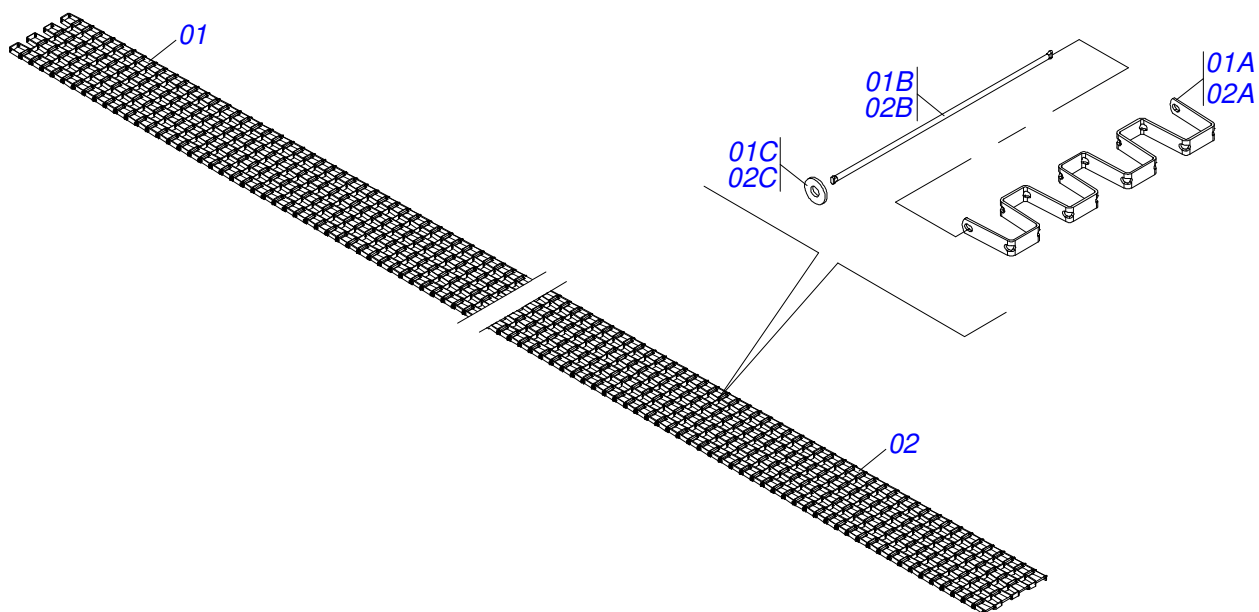




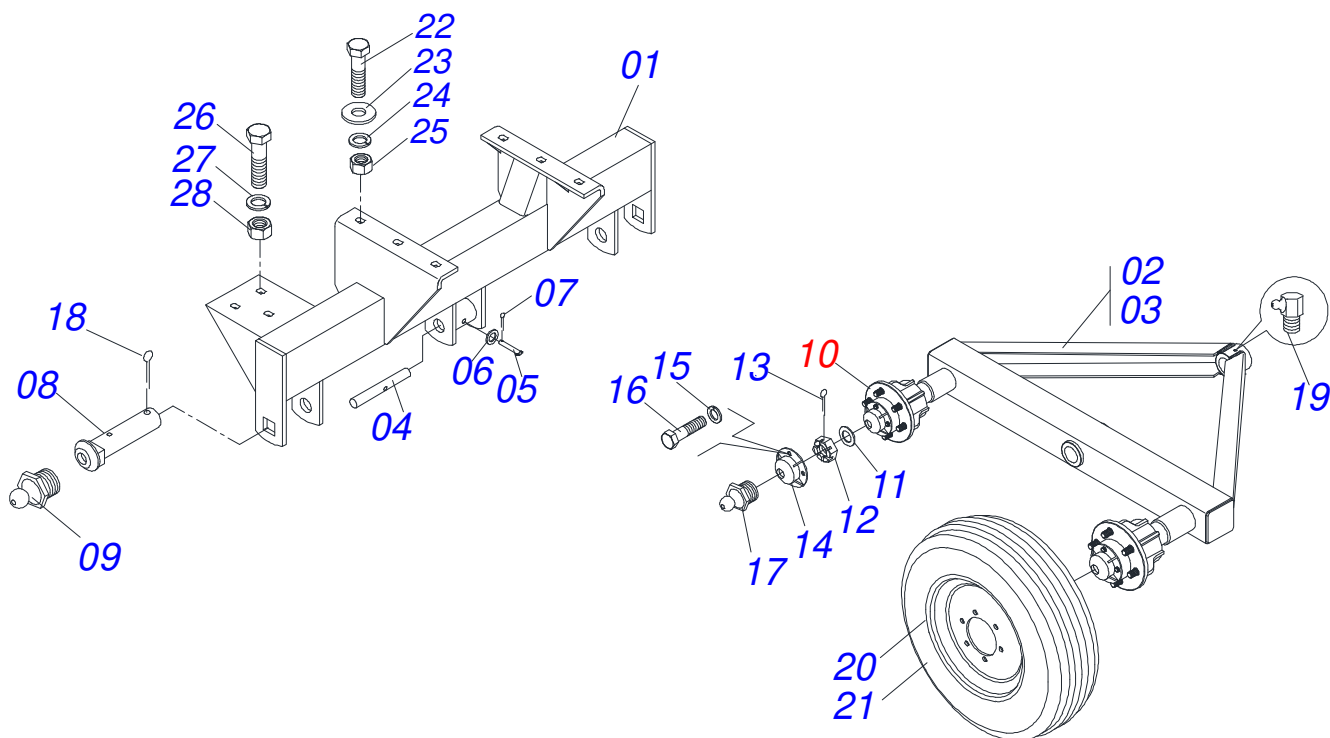
Item	Code	Description	See page	QT
01	0501044308	AGRICULTURAL BEARING ASSY	12	02
02	0502011191	GEAR		09
02.	0502011564	GEAR		02
02..	0502011193	GEAR		01
03	0511016482	DRIVEN AXLE		01
04	0503010361	SPRING PIN		02
05	0511018406	MOTOR AXLE		01
06	0511048904	DRIVE THE TRANSPORT	13	01
07	0501068211	MAT INOX REAR PROTECTION		01



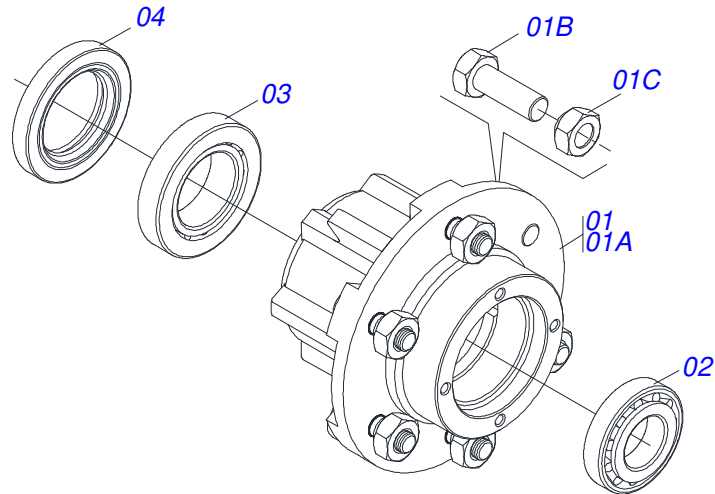
Item	Code	Description	See page	QT
01	0502011050	AGRICULTURAL HOUSING BEARING		01
02	0503011163	1108/UCR BEARING ASSY		01
03	0503010004	1890 GREASE FITTING		01



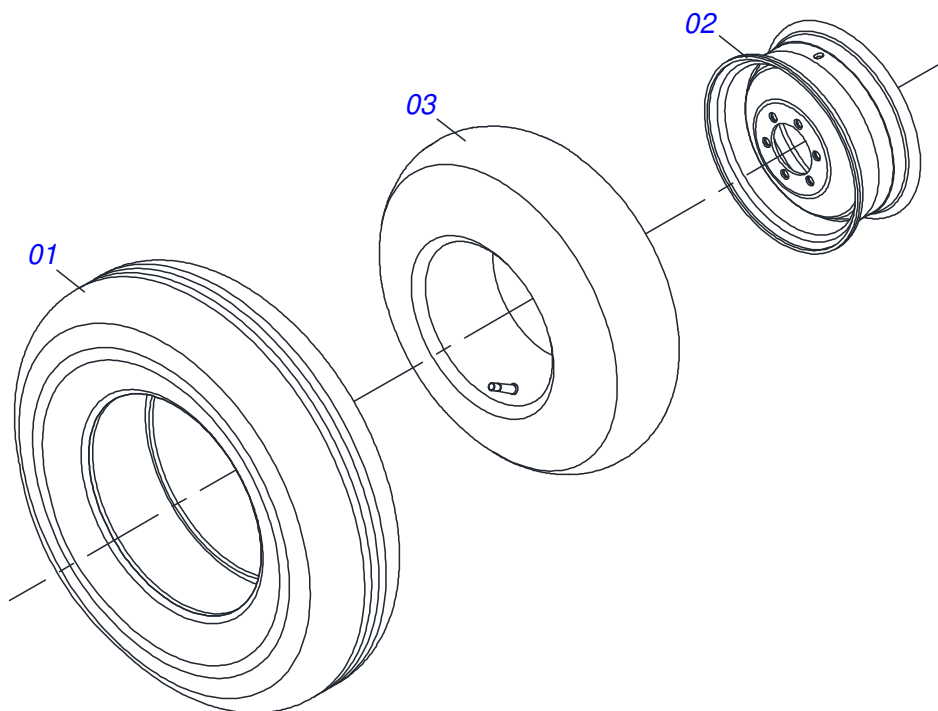
Item	Code	Description	See page	QT
01	0511050054	MAT SEGMENT		01
01A	0561016633	TRANSPORT MAT BODY		09
01B	0561016632	AXIS UNION MAT		09
01C	0503015148	WASHER		18
02	0511050052	MAT SEGMENT		05
02A	0561016633	TRANSPORT MAT BODY		35
02B	0561016632	AXIS UNION MAT		35
02C	0503015148	WASHER		70



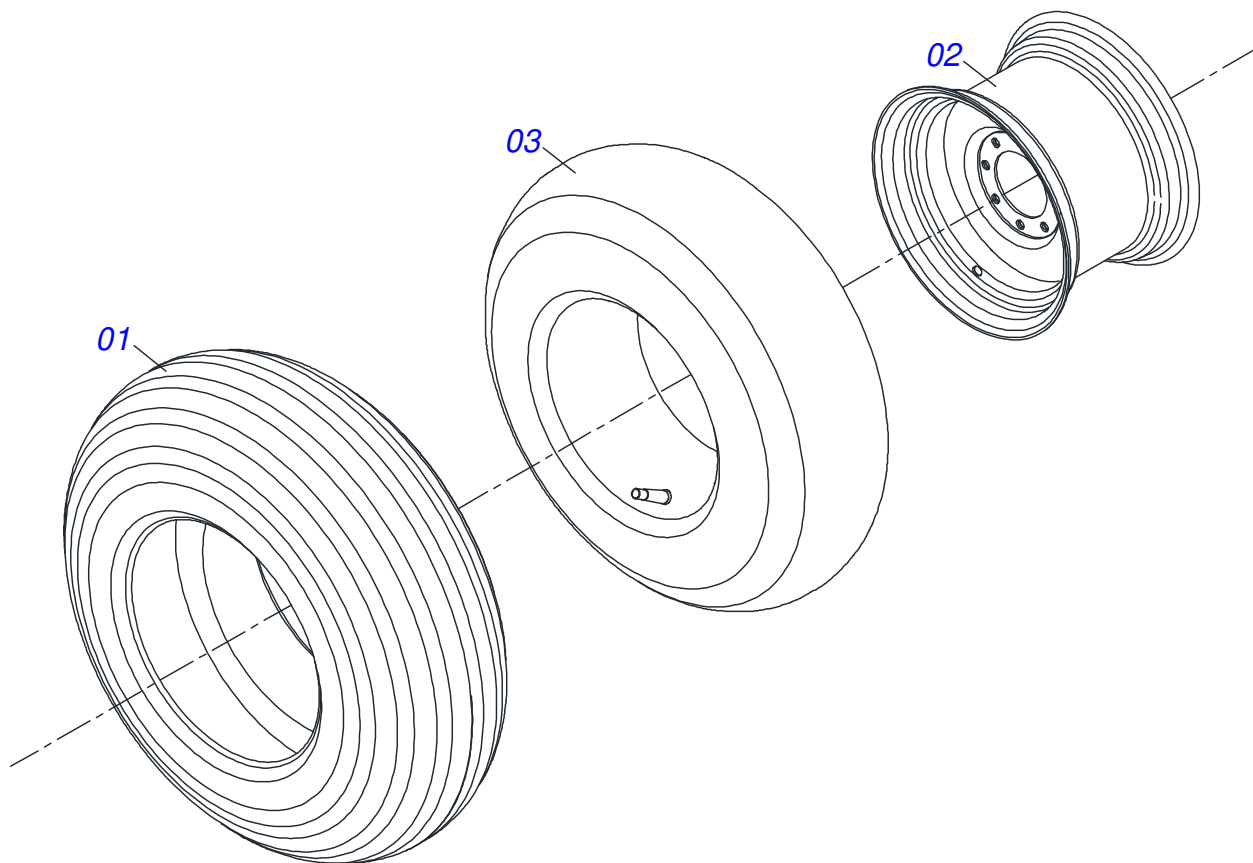
Item	Code	Description	See page	QT
00	0501047998	BELL CRANK FIXATION SUPPORT ASSY		01
01	0521062814	BELL CRANK SUPPORT FIXATION		01
02	0501069182	RIGHT ROCKER ARM		01
03	0501069183	LEFT ROCKER ARM		01
04	0521011118	COUPLING SHAFT		01
05	0521010553	0.5" X 3" COUPLING SHAFT		01
06	0511017302	FLAT WASHER		02
07	0503010297	5/32" X 1.1/4" COTTER PIN		01
08	0521010956	PIVOT SHAFT		02
09	0503010002	1800 GREASE FITTING		02
10	0501051142	CARRYING WHEEL HUB	15	04
11	0501016545	FLAT WASHER		04
12	0503030009	1" CASTLE NUT		04
13	0503010131	3/16" X 1-1/2" COTTERPIN		04
14	0502020591	PROTECCION COVER		04
15	0503011444	SPRING WASHER		16
16	0503010358	5/16" X 5/8" BOLT		16
17	0503010002	1800 GREASE FITTING		04
18	0503010534	3/8 X 2-1/2 COTTERPIN		02
19	0503010003	1845 GREASE FITTING		02
20	0503060206	29.5"X0.6"- 10L WHEEL AND TIRE ASSY	16	04
21	0503060181	WHEEL AND TIRE	17	04
22	0503010899	5/8" X 2-1/4" BOLT		06
23	0501012140	FLAT WASHER		06
24	0503010027	5/8" SPRING WASHER		06
25	0503010013	5/8" NUT		06
26	0503011268	3/8" X 2-1/2" BOLT		03
27	0503010025	3/8" SPRING WASHER		03
28	0503010026	3/8" NUT		03



Item	Code	Description	See page	QT
01	0501110728	WHEEL HUB		01
01A	0502011121	CARRYING WHEEL HUB		01
01B	0501010127	9/16" X 1-7/8" LUG BOLT		06
01C	0503010035	9/16" CONIC NUT		06
02	0503010037	30207 ROLLER BEARING		01
03	0503010006	32210 ROLLER BEARING		01
04	0503012928	SEAL		01



Item	Code	Description	See page	QT
01	0503010120	CANVAS TIRE		01
02	0521062708	WHEEL 5,50 X 16 X 118 X 6F 16,50 X 152,40		01
03	0503010033	7.50 X 16 INNER TIRE		01



Item	Code	Description	See page	QT
01	0503010858	CANVAS TIRE		01
02	0503011468	WEEL		01
03	0503010860	AIR CHAMBER 11L 15		01







**MARCHESAN**

***Technical Publications | Elaboration and Revision***

ALESSANDRA PATRICIA KAWAHARA CARRILI

[www.marchesan.com.br](http://www.marchesan.com.br)

