

PARTS CATALOGUE



CHASER BIN

Code:

0501091492

Product:

DCA2 1000 DC



Series:

S-0202

Revision:

00

Date Revision:

JULHO/2012



PRODUCTS

Code	Description
0109090042	DCA DC 1000 CAFE S/OPCIONAIS S-0202
0109090043	DCA DC 1000 COMPLETO CAFEEIRO S-202

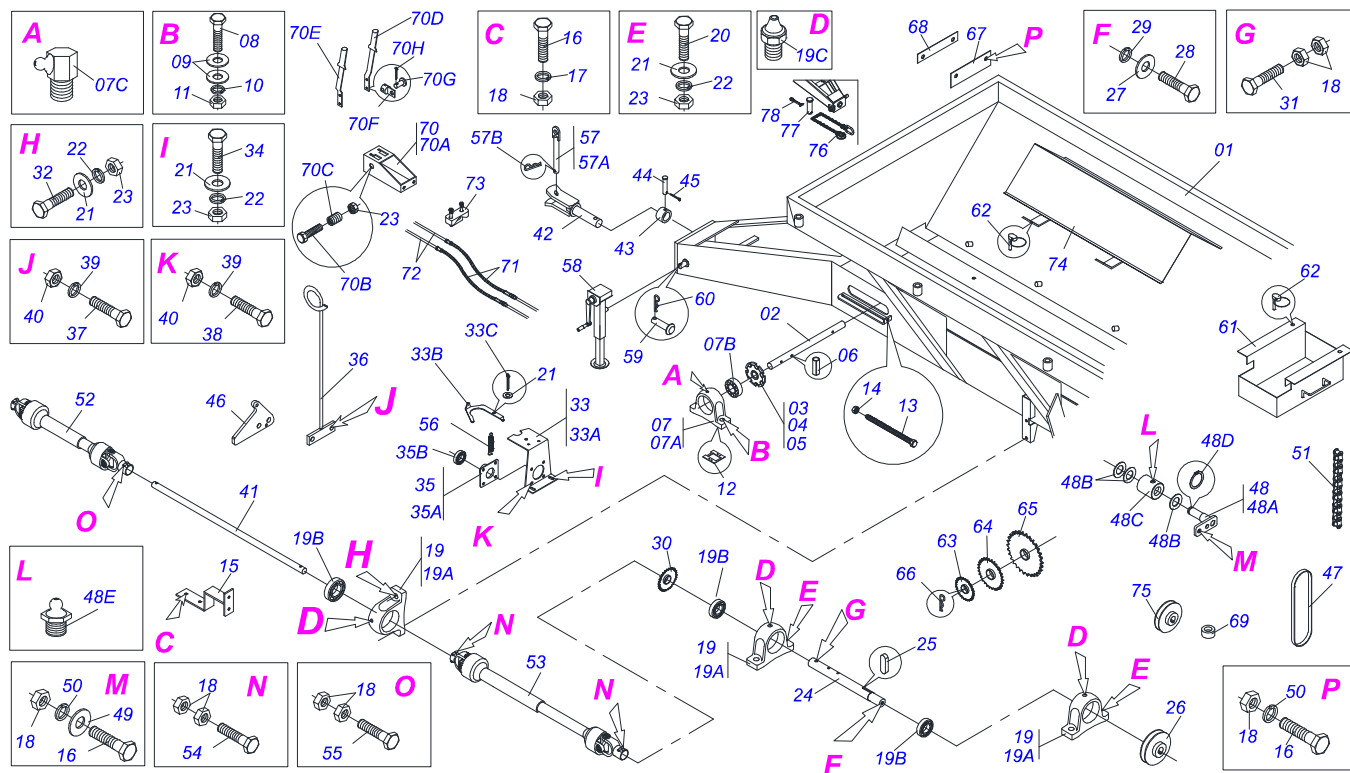
ATTENTION: IMPORTANT

Marchesan S.A. reserves the right to improve and / or modify the technical features of its products, without obligation to do the same with those products already sold and without prior knowledge of the dealer or the consumer.



INDEX

0909094388	FRONT FRAME	1
0909094389	REAR FRAME	2
0501056183	RIGHT BEARING SUPPORT DISC	3
0501056184	LEFT BEARING SUPPORT DISC	4
0909094397	ASSY WHEEL	5
0501048241	DRIVE SHAFT	6
0501048409	DRIVE SHAFT	7
0511041259	DRAWBAR JACK ASSY	8
0909090449	RIGHT/LEFT DRIVING MAT	9
0501047985	REDUCER	10
0501056429	SET SUPER REDUCTION	11



Item	Code	Description	See page	QT
01	0511063763	DCADC 1000 BUCKET	01	01
02	0541016205	DCA-DC AXLE	02	02
03	0502011959	10Z P 1.50" GEAR	04	04
04	0502012340	10Z GEAR	02	02
05	0502012327	10Z GEAR	02	02
06	0503010361	SPRING PIN	04	04
07	0501044308	AGRICULTURAL BEARING ASSY	02	02
07A	0502011050	AGRICULTURAL HOUSING BEARING	02	02
07B	0503011163	1108/UCR BEARING ASSY	02	02
07C	0503010004	1890 GREASE FITTING	02	02
08	0503010899	5/8" X 2-1/4" BOLT	04	04
09	0501012140	FLAT WASHER	08	08
10	0503011445	SPRING WASHER	04	04
11	0503010013	5/8" NUT	04	04
12	0501010794	HIDR CHOCK REGULATOR	04	04
13	0501067853	ROD STABILIZER	04	04
14	0503010013	5/8" NUT	04	04
15	0511062389	BELT PROTECTION FIXER	01	01
16	0503010237	3/8" X 1" BOLT	08	08
17	0503011443	3/8" SPRING WASHER	02	02
18	0503010026	3/8" NUT	16	16
19	0511041213	AGRICULTURAL BEARING	03	03
19A	0502011954	AGRICULTURAL HOUSING BEARING	06	06
19B	0503011884	BALL BEARING	06	06
19C	0503010691	1/4" GREASE FITTING	06	06
20	0503010740	BOLT 1/2 UNC X 2 CS G.5 ZN	04	04
21	0511017302	FLAT WASHER	11	11
22	0503011440	SPRING WASHER	08	08
23	0503010060	1/2" NUT	09	09
24	0521011063	TRANSMISSION AXLE	01	01
25	0501010536	KEYWAY SQUARE	01	01



DCA2 1000 DC
FRONT FRAME

Page 1
0909094388

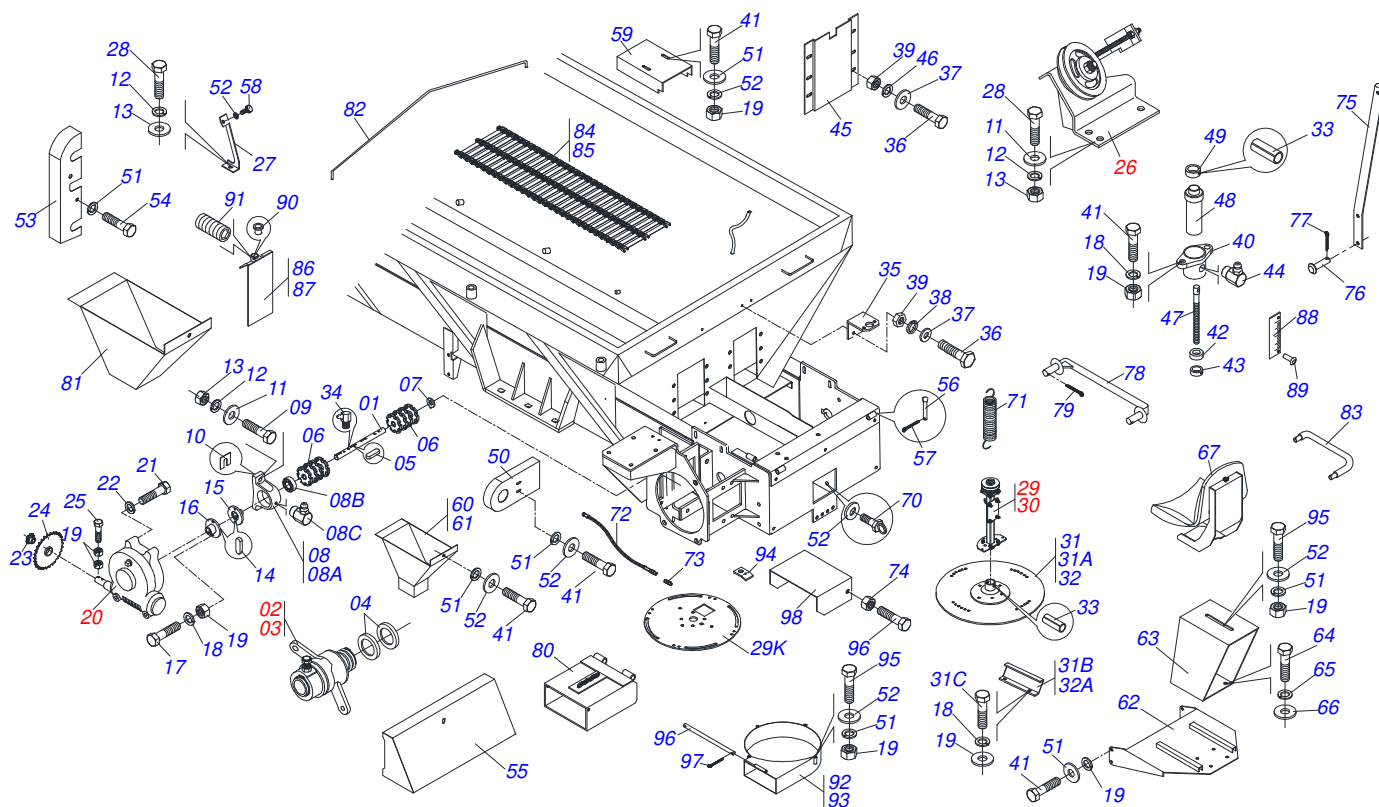
Item	Code	Description	See page	QT
26	0502011361	REEL 1C 5.5" X 1.1" PULLEY		01
27	0511014052	FLAT WASHER		01
28	0503010355	7/16" X 1" BOLT		01
29	0503011446	SPRING WASHER		01
30	0511062447	17Z P0.6" GEAR		01
31	0503011268	3/8" X 2-1/2" BOLT		01
32	0503011082	C1/2" X 1.3/4" SCREW		02
33	0501056885	CARDAN LEVER SUPPORT		01
33A	0501066588	CARDAN LARGE SUPPORT		01
33B	0511014066	CARDAN SMALLE SUPPORT		01
33C	0503010257	1/8" X 1" COTTERPIN		01
34	0503010920	1/2" X 1.1/2" BOLT		02
35	0501044306	BATH BEARING		01
35A	0503011146	HOUSING BEARING		01
35B	0503011162	BALL BEARING		01
36	0511062420	STEEL SUPPORT CABLE		01
37	0503011102	BOLT 7/16 UNC X 1.1/4 C S G.5 ZN		02
38	0503011135	BOLT		02
39	0503011446	SPRING WASHER		04
40	0503010244	7/16" NUT		04
41	0531015426	1270 FRONT DRIVE AXLE		01
42	0501069266	TRACTOR HITCH		01
43	0521010681	BUSHING COUPLING BODY		01
44	0521010639	COUPLING SHAFT		01
45	0503010571	1/4" X 1.1/2 COTTERPIN		02
46	0541016212	HITCH STEEL CABLE		02
47	0503010154	C-128 BELT		01
48	0501050829	CHAIN TENSIONER		01
48A	0501067692	BELT TENSIONER BODY		01
48B	0511015098	FLAT WASHER		03
48C	0511017041	TENSIONER ROLD		01
48D	0503010302	501019 SEAL RING		01
48E	0503010002	1800 GREASE FITTING		01
49	0501010984	FLAT WASHER		02
50	0503010025	3/8" SPRING WASHER		06
51	0503013002	50-1 CHAIN X 81 LINK + MENDING + REDUCTION		01
52	0501048241	DRIVE SHAFT	6	01
53	0501048409	DRIVE SHAFT	7	01
54	0503011268	3/8" X 2-1/2" BOLT		02
55	0503010765	3/8" X 3" BOLT		01
56	0503030198	0.6" X 2.4" X 0.1" EXTENSION SPRING		01
57	0501047881	AXIS JOINT ASSY		01
57A	0501068989	COUPLING SHAFT		01
57B	0503031035	HAIR PIN		01
58	0511041259	DRAWBAR JACK ASSY	8	01
59	0521010549	COUPLING SHAFT		01
60	0503030168	HAIR PIN		01
61	0511062421	COLLECCION BOX		01
62	0503030085	LOCK PIN		02
63	0511062448	26Z P0.6" GEAR		02
64	0501069020	35Z GEAR		02
65	0511062449	40Z P0.7" GEAR		01
66	0503031035	HAIR PIN		01
67	0531010059	7.1" X 3.3" X 0.1" PROTECTION		02
68	0531010273	RUBBER SUPPORT FIXER COVER		02
69	0541015142	SLEVE GUIDE		02
70	0501053157	LEVER BOX CABLE STEEL		01
70A	0511062435	STEEL BOX LEVER CABLE		01
70B	0503010547	1/2" X 4" BOLT		01



DCA2 1000 DC
FRONT FRAME

Page 1
0909094388

Item	Code	Description	See page	QT
70C	0503031719	0.7" X 1" X 1,1" COMPRESSION SPRING		02
70D	0511062430	STEEL LEVER RIGHT CABLE		01
70E	0511062431	STEEL LEVER LEFT CABLO		01
70F	0521010100	LARGER FLIP		01
70G	0501010593	0.3" X 1" X 1/2" X 1.1 PIN		02
70H	0503010140	1/8" X 3/4" COTTERPIN		02
71	0503012779	STEEL CONDUCTOR CABLO 1/8"		02
72	0531010467	1/8" X 255" STEEL CABLE		02
73	0503010431	1/8" CABLO STEEL STAPLE		08
74	0511066459	DEFLECTOR		02
75	0502011953	3.7 X 1.1 REEL		01
76	0503013150	1300 X 3/8 CHAIN		01
77	0581011220	COUPLING SHAFT		01
78	0503010131	3/16" X 1-1/2" COTTERPIN		01



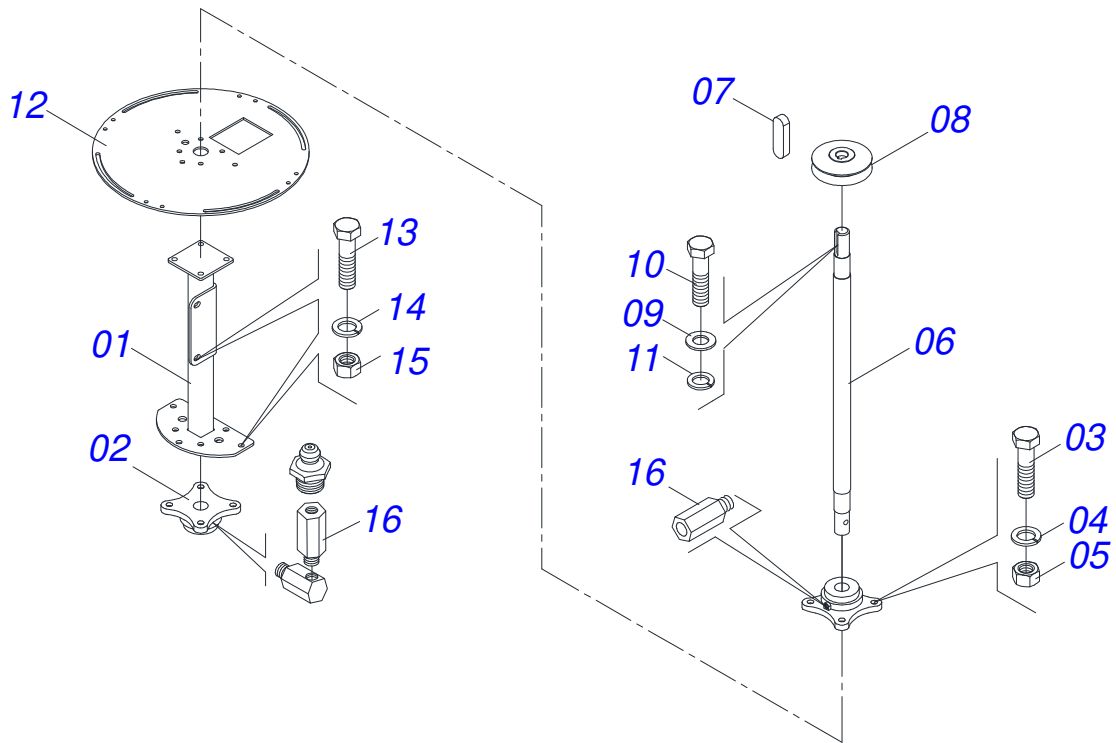
Item	Code	Description	See page	QT
001	0531010168	MOTOR SHAFT		01
002	0501053163	MAT VALVE RIGHT ASSY		01
003	0501053164	MAT VALVE LEFT ASSY		01
004	0501019734	FLAT WASHER		04
005	0531013492	0.4" X 1.25" KEYWAY SQUARE		02
006	0501110334	GEAR 10Z ASSY		02
007	0531012323	TRANSMISSION FLANGE AXLE		02
008	0501044308	AGRICULTURAL BEARING ASSY		04
008A	0502011050	AGRICULTURAL HOUSING BEARING		02
008B	0503011163	1108/UCR BEARING ASSY		02
008C	0503010004	1890 GREASE FITTING		02
009	0503010740	BOLT 1/2 UNC X 2 CS G.5 ZN		04
010	0541016213	BEARING CHUCK REAR SIDE		01
011	0511017302	FLAT WASHER		07
012	0503010019	1/2" SPRING WASHER		07
013	0503010060	1/2" NUT		07
014	0501010540	KEYWAY SQUARE		02
015	0511016540	MAT COUPLING FLANGE		01
016	0511016541	REDUCTION COUPLING FLANGE		01
017	0503010849	3/8" X 1-1/2" BOLT		02
018	0503011443	3/8" SPRING WASHER		32
019	0503010026	3/8" NUT		46
020	0501047985	REDUCER	10	01
021	0503011167	M16 X 2 X 30 BOLT		04
022	0503011445	SPRING WASHER		04
023	0501069017	12Z GEAR		01
024	0511062460	SLEEVE 47Z		01
025	0503011268	3/8" X 2-1/2" BOLT		02
026	0501046802	BELT TENSIONER ASSY		01
027	0511060909	PROTECTION REAR SUPPORT FIXER		01
028	0503010920	1/2" X 1.1/2" BOLT		11



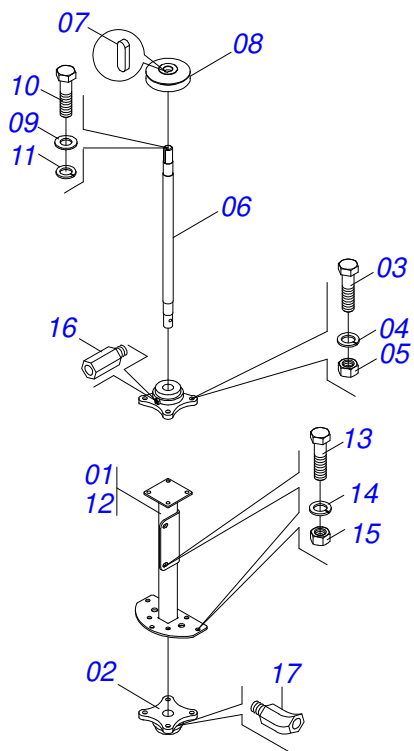
Item	Code	Description	See page	QT
029	0501056183	RIGHT BEARING SUPPORT DISC	3	01
030	0501056184	LEFT BEARING SUPPORT DISC	4	01
031	0501053159	DISTRIBUTOR RIGHT DISC ASSY		01
031A	0511062433	DISTRIBUTOR DISC		01
031B	0521018637	RH FLIP		06
031C	0503013029	3/8" X 3/4" BOLT		12
032	0501053160	DISTRIBUTOR LEFT DISC ASSY		01
032A	0521018638	LH FLIP		06
033	0503010361	SPRING PIN		06
034	0503011098	1/4" GREASE FITTING		04
035	0511066452	SLUICE VALVE FIXER BEARING		02
036	0503011953	5/16" X 1" BOLT		16
037	0501010694	8.5 X 18 X 1.5 FLAT WASHER		16
038	0503011444	SPRING WASHER		04
039	0503010337	5/16" NUT		16
040	0502010581	ROD BEARING		02
041	0503010237	3/8" X 1" BOLT		22
042	0521010457	SLEEVE		02
043	0521010458	SLEEVE		02
044	0503010003	1845 GREASE FITTING		04
045	0531017187	SLUICE VALVE GUIDE		02
046	0503010179	5/16" ZN SPRING WASHER		12
047	0511066463	SLUICE VALVE JACK REGULATOR		02
048	0541016248	HAND CRANK HEAD		02
049	0511013015	SLEEVE		02
050	0521011062	BELT PROTECTION SIDE		01
051	0503010025	3/8" SPRING WASHER		23
052	0501010984	FLAT WASHER		31
053	0511062434	CARRY-WHEEL CHAIN PROTECTION		01
054	0503010256	3/8" X 3/4" BOLT		02
055	0501069840	REAR COVER PROTECTION		01
056	0501017574	0.3" X 2.7" AXLE		02
057	0503010140	1/8" X 3/4" COTTERPIN		02
058	0503010386	CABLE		01
059	0531017384	RATCHET PROTECTION		01
060	0511066455	RIGHT SOCKET		01
061	0511066456	LEFT SOCKET		01
062	0511066451	SEAT BASE		01
063	0511062438	SEAT SUPPORT		01
064	0503010395	1/2" X 1-1/4" BOLT		04
065	0503010019	1/2" SPRING WASHER		08
066	0503010060	1/2" NUT		04
067	0503031651	AMORT SEAT ASSY		01
068	0501011600	1/2" X 1-1/4" BOLT		02
069	0503010020	1/2"NUT		02
070	0511062452	SUPPORT RATCHET SPRING HITCH		02
071	0503030198	0.6" X 2.4" X 0.1" EXTENSION SPRING		06
072	0501081198	1/4 X 390 HOSE		04
073	0503012776	1/8" NF NIPPLE		04
074	0503010144	1/4" NUT		08
075	0541016207	LEVER BODY		02
076	0531010630	0.5" X 1.4" COUPLING SHAFT		02
077	0503010300	5/32" X 1" COTTERPIN		02
078	0511062436	INTER ARM/DISARMENT		02
079	0503010257	1/8" X 1" COTTERPIN		04
080	0511066448	BICA DRIVERS		02
081	0511066615	DIRECT SOCKET		02
082	0531015432	SUPPORT CANVAS ARCH DCA-DC 1000		03
083	0541016206	ASSEMBLE AND DISASSEMBLE RATCHET		02



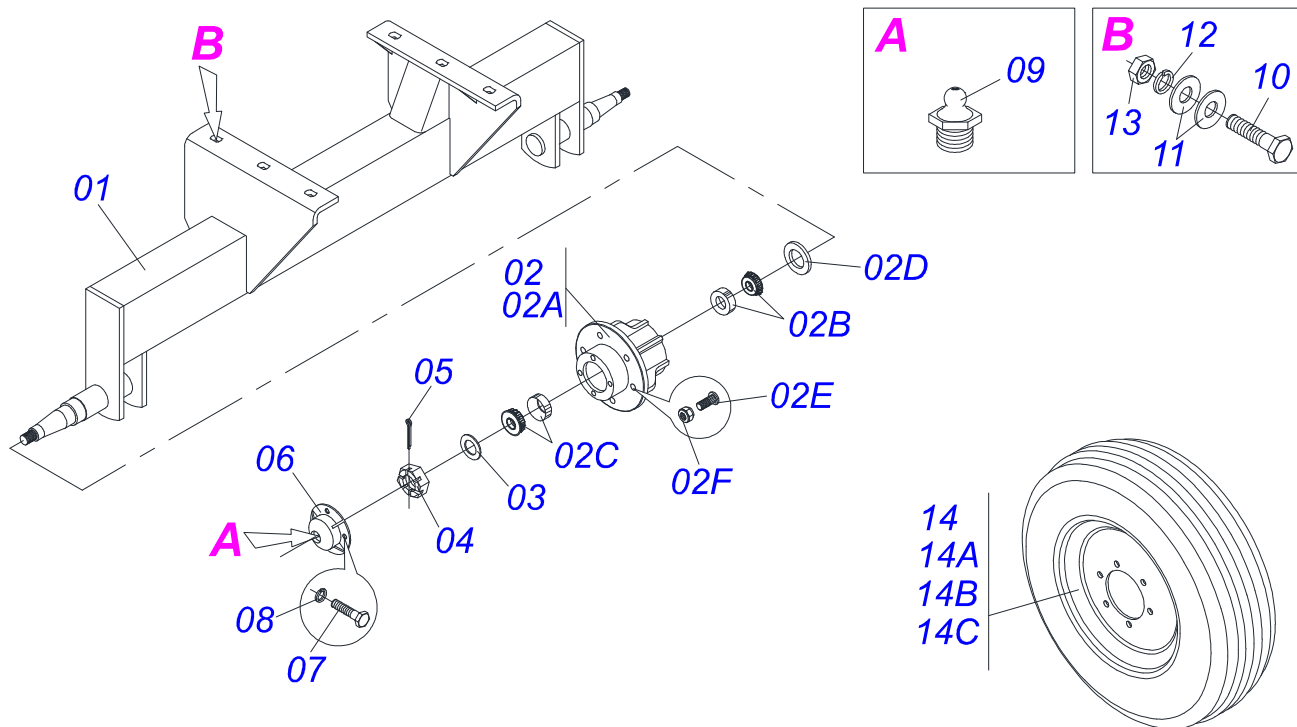
Item	Code	Description	See page	QT
084	0501059973	DRIVE ESTABILIZER DCA		03
085	0501059979	DRIVE ESTABILIZER DCA		01
086	0511066457	RH SLUICE VALVE COVER		01
087	0511066458	LH SLUICE VALVE COVER		01
088	0503030751	REGULATOR PLATE		02
089	0503010001	3.2 X 5.5 RIVET		04
090	0541016204	ADJUSTMENT NUT DCA-DC		02
091	0503011148	3/8" X 1/2" BOLT		02
092	0511066449	RIGHT CONTROLLER		01
093	0511066450	LEFT CONTROLLER		01
094	0531010408	UPPER FIXER DISC		02
095	0503010751	C3/8" X 1.1/4" HEX BOLT G.5		04
096	0531010081	0.6" X 10.8" AXLE		02
097	0503010257	1/8" X 1" COTTERPIN		04
098	0541016214	BODY ADJUSTMENT HEIGHT		02
099	0503013813	1/4" UNC X 7/8" BOLT		04



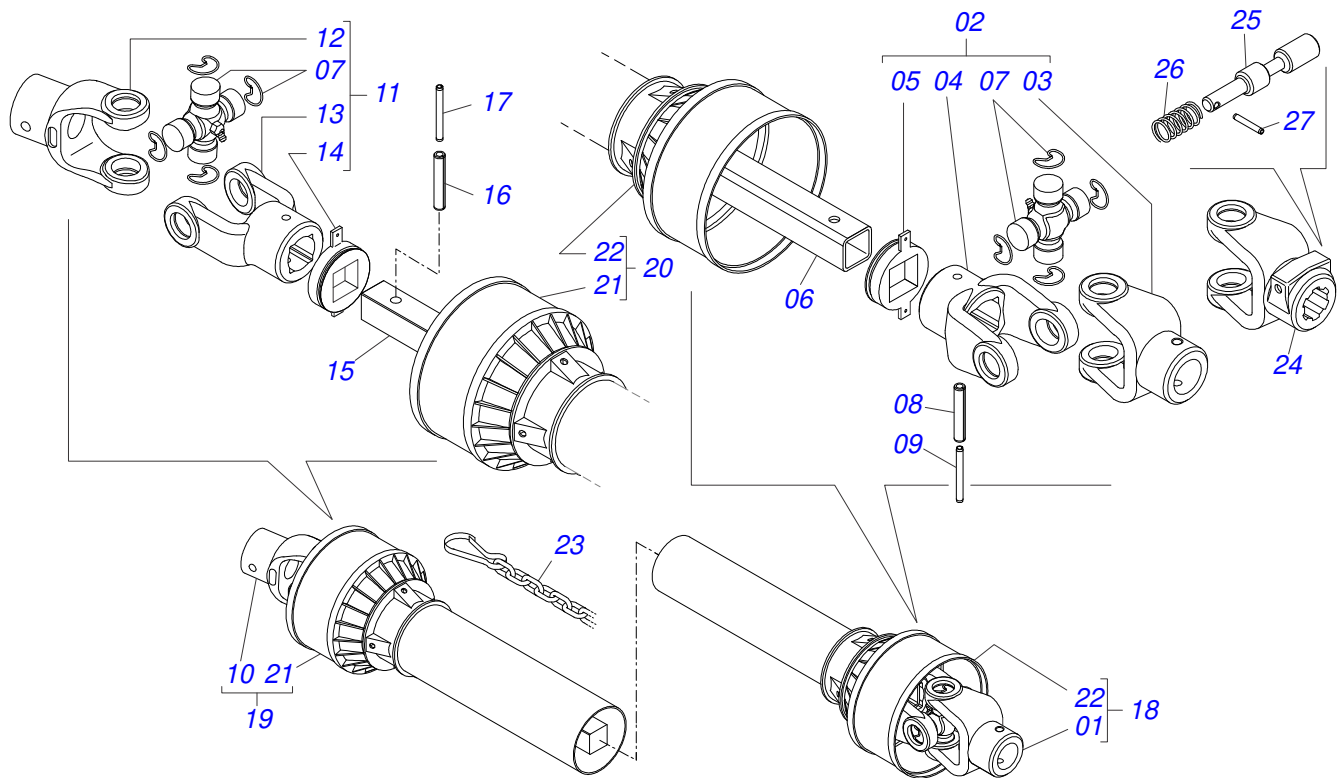
Item	Code	Description	See page	QT
001	0511066462	SUPPORT DISC DISTRIBUTOR RIGHT		01
002	0501048000	AGRICULTURAL BEARING		02
003	0503011102	BOLT 7/16 UNC X 1.1/4 C S G.5 ZN		08
004	0503011446	SPRING WASHER		08
005	0503010244	7/16" NUT		08
006	0531010187	DISTRIBUTOR AXLE CONDUCTOR DISC		01
007	0501010536	KEYWAY SQUARE		01
008	0502011361	REEL 1C 5.5" X 1.1" PULLEY		01
009	0511014052	FLAT WASHER		01
010	0503010355	7/16" X 1" BOLT		01
011	0503011446	SPRING WASHER		01
012	0541016208	SUPPORT BODY		01
013	0503010920	1/2" X 1.1/2" BOLT		02
014	0503010019	1/2" SPRING WASHER		03
015	0503010060	1/2" NUT		03
016	0501019757	EXTENSION GREASE FITTING		01
017	0541016211	EXTENSION GREASE FITTING 1/8 BSP X 34		01



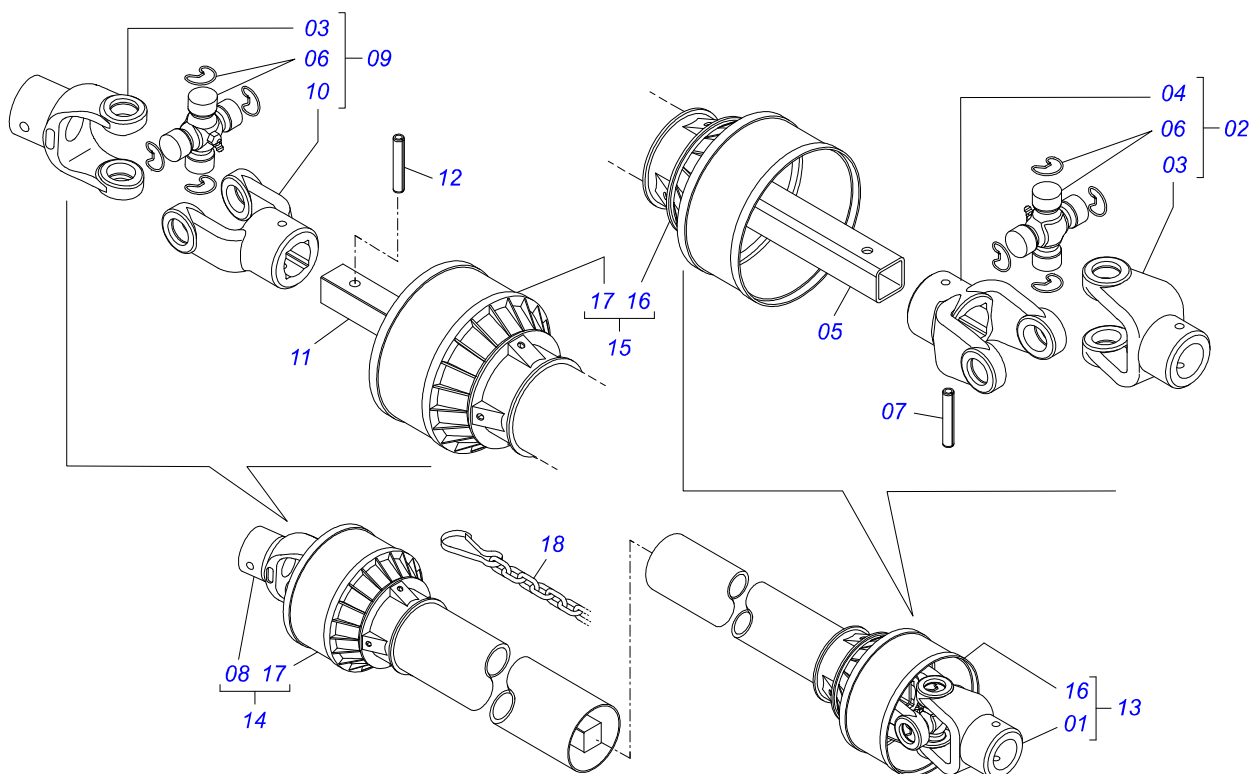
Item	Code	Description	See page	QT
001	0511066461	SUPPORT DISC DISTRIBUTOR LEFT		01
002	0501048000	AGRICULTURAL BEARING		02
003	0503011102	BOLT 7/16 UNC X 1.1/4 C S G.5 ZN		08
004	0503011446	SPRING WASHER		08
005	0503010244	7/16" NUT		08
006	0531010187	DISTRIBUTOR AXLE CONDUCTOR DISC		01
007	0501010536	KEYWAY SQUARE		01
008	0502011361	REEL 1C 5.5" X 1.1" PULLEY		01
009	0511014052	FLAT WASHER		01
010	0503010355	7/16" X 1" BOLT		01
011	0503011446	SPRING WASHER		01
012	0541016208	SUPPORT BODY		01
013	0503011102	BOLT 7/16 UNC X 1.1/4 C S G.5 ZN		02
014	0503011446	SPRING WASHER		03
015	0503010244	7/16" NUT		03
016	0501019757	EXTENSION GREASE FITTING		01
017	0541016211	EXTENSION GREASE FITTING 1/8 BSP X 34		01



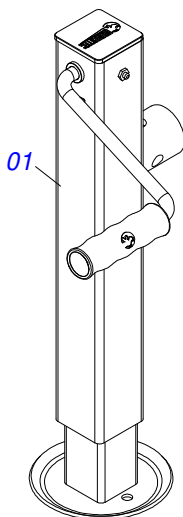
Item	Code	Description	See page	QT
00	0511040982	CARRYING-W FIXATION SUPPORT ASSY		01
01	0511063609	CARRYING-W FIXATION SUPPORT		01
02	0501051142	CARRYING WHEEL HUB		04
02A	0502011121	CARRYING WHEEL HUB		04
02B	0503010006	32210 ROLLER BEARING		04
02C	0503010037	30207 ROLLER BEARING		04
02D	0503012928	SEAL		01
02E	0501010127	9/16" X 1-7/8" LUG BOLT		24
02F	0503010035	9/16" CONIC NUT		24
03	0511017480	FLAT WASHER		02
04	0503030009	1" CASTLE NUT		02
05	0503010018	5/32 X 1-1/2 COTTERPIN		02
06	0502020591	PROTECCION COVER		02
07	0503010179	5/16" ZN SPRING WASHER		08
08	0503010358	5/16" X 5/8" BOLT		08
09	0503010002	1800 GREASE FITTING		02
10	0503010899	5/8" X 2-1/4" BOLT		04
11	0501012140	FLAT WASHER		08
12	0503010027	5/8" SPRING WASHER		04
13	0503010013	5/8" NUT		04
14	0503060094	WHEEL AND TIRE ASSY		01
14A	0503010894	0.2"X0.6"X4.6"X6F0.6"X6" WHEEL		01
14B	0503010068	6.00 X 16 INNER TIRE		01
14C	0503010065	CANVAS TIRE		01



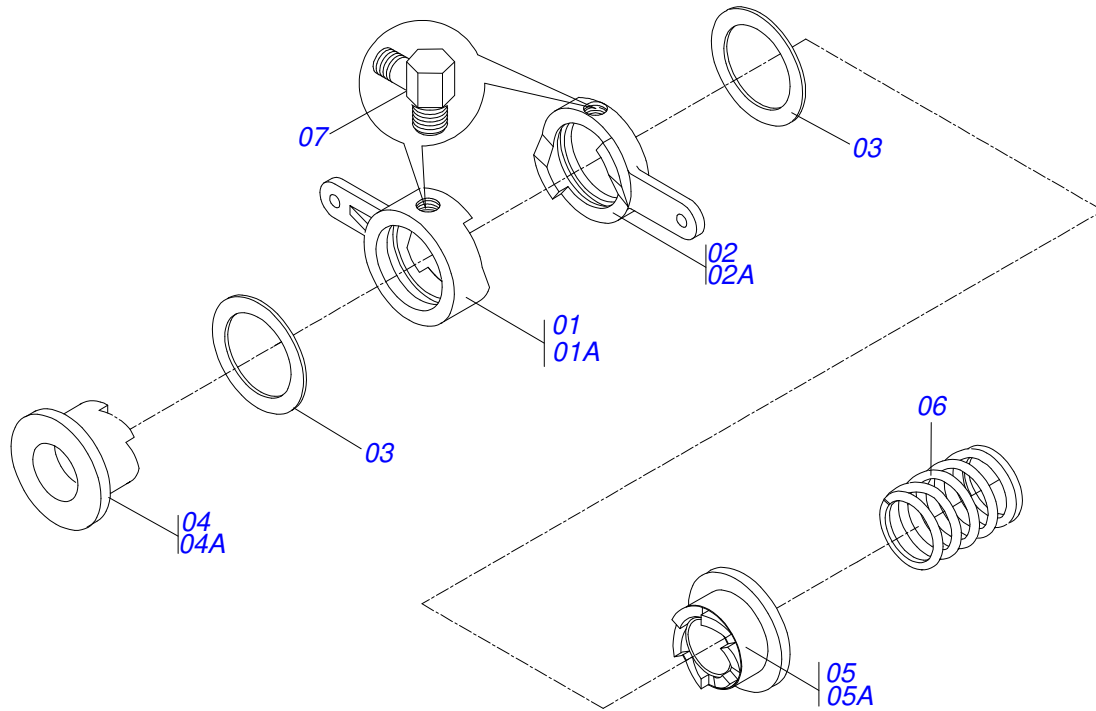
Item	Code	Description	See page	QT
01	0501052176	SLEEVE UNIVERSAL JOINT	01	01
02	0501050265	UNIVERSAL JOINT	01	01
03	0501050333	1-40 TERMINAL WITH HITCH	01	01
04	0502010565	2-40 TERMINAL W/ SH 1.5"/1.5"	01	01
05	0503012069	ADAPTER FOR BUSHING PROTECT	01	01
06	0521013800	16" X 1.4" SQUARE SLEEVE	01	01
07	0503010836	CARDAN CROSSPIECE	02	01
08	0503011069	0.4" X 2.8" SPRING PIN	01	01
09	0503010510	0.2" X 2.6" SPRING PIN	01	01
10	0501052177	AXLE UNIVERSAL JOINT	01	01
11	0501052178	UNIVERSAL JOINT	01	01
12	0502011611	9-40 TERMINAL	01	01
13	0502010566	3-40 TERMINAL WITH SH 1.2"/1.2"	01	01
14	0503012070	ADAPTER FOR AXLE PROTECTION	01	01
15	0521013801	1.2" X 15.7" SQUARE SHAFT	01	01
16	0503010361	SPRING PIN	01	01
17	0503010756	0.2" X 2.4" SPRING PIN	01	01
18	0501052179	PROT/SLEEVE UNIVERSAL JOINT	01	01
19	0501052180	PROT/AXLE UNIVERSAL JOINT	01	01
20	0503012277	PROTECTION ASSY	01	01
21	0503012279	PROTECTION FOR UNIV JOINT AND AXLE	01	01
22	0503012278	PROTECTION FOR UNIV JOINT SLEEVE	01	01
23	0503012023	CHAIN FOR PROTECTION	02	01
24	0502010563	1-40 STRIATED 1.3/8" TERMINAL	01	01
25	0521010638	0.5" X 3.3" QUIC HITCH COUPL SHAFT	01	01
26	0503030518	0.5"X1.0"X 0.1" COMPRESSION SPRING	01	01
27	0503010838	0.1" X 0.8" SPRING PIN	01	01



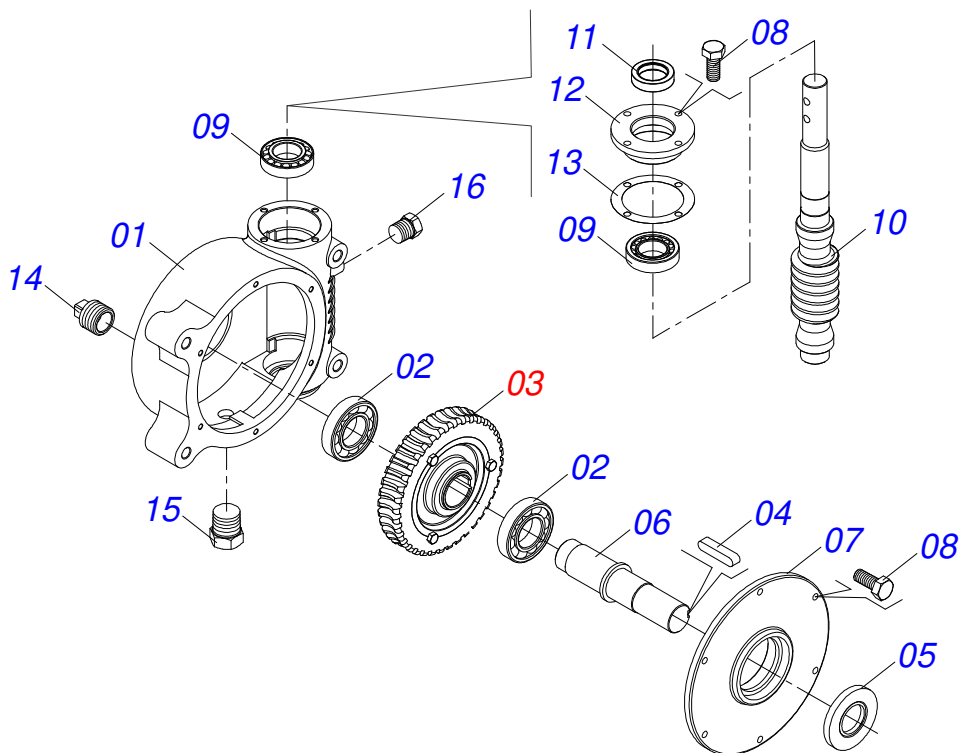
Item	Code	Description	See page	QT
01	0501052160	SLEEVE UNIVERSAL JOINT		01
02	0501051718	UNIVERSAL JOINT		01
03	0502010558	4-20 TERMINAL WITH ROLES		02
04	0502011426	2-20 TERMINAL		01
05	0521013797	0.9\"X1.1\"X31.5\" SQUARE SLEEVE		01
06	0503010835	CARDAN CROSSPICE		02
07	0503010839	03\"X 0.6\" SPRING PIN		01
08	0501052161	UNIVERSAL JOINT WITH AXLE		01
09	0501051720	UNIVERSAL JOINT		01
10	0502011427	3-20 TERMINAL		01
11	0521013794	0.9\" X 31.5 SQUARE SHAFT		01
12	0503010301	0.3\" X 1.8\" SPRING PIN		01
13	0501052162	PROT/SLEEVE UNIVERSAL JOINT		01
14	0501052163	PROT/AXLE UNIVERSAL JOINT		01
15	0503012268	PROTECTION ASSY		01
16	0503012269	PROTECTION FOR UNIV JOINT SLEEVE		01
17	0503012270	PROTECTION FOR UNIV JOINT AND AXLE		01
18	0503012023	CHAIN FOR PROTECTION		01



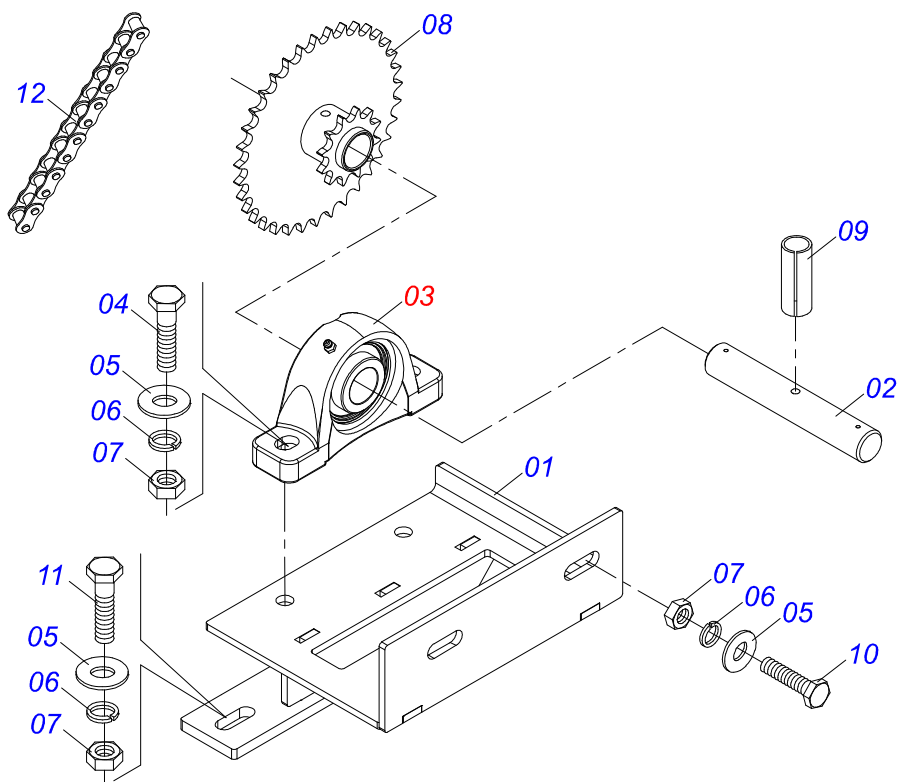
Item	Code	Description	See page	QT
01	0503062157	HEADER JACK		01



Item	Code	Description	See page	QT
00	0501053163	MAT VALVE RIGHT ASSY		01
00A	0501053164	MAT VALVE LEFT ASSY		01
01	0502010711	RIGHT CAM,LARGER		01
01A	0502010721	LEFT CAM,LARGER		01
02	0502010710	RIGHT CAM, SMALLER		01
02A	0502010720	RIGHT CAM, SMALLER		01
03	0501019734	FLAT WASHER		02
04	0502011917	RIGHT RATCHET LARGER		01
04A	0502011956	LARGER LEFT RATCHET		01
05	0502011955	SMALLE LEFT RATCHET		01
05A	0502011916	SMALLE RIGHT RATCHET		01
06	0503030553	2.3"X 2.5"X 0.2"COMPRESSION SPRING		01
07	0503012777	90G ELBOW		02



Item	Code	Description	See page	QT
01	0502011456	REDUCTION BOX		01
02	0503011095	6208 BALL BEARING		02
03	0501051774	38Z CROWN		01
04	0503011304	1/2" X 2.4" KEYWAY SQUARE		01
05	0503010818	02675-BRG SEAL		01
06	0521010996	AXLE		01
07	0502020556	LARGER COVER		01
08	0503010240	5/16" X 3/4" BOLT		10
09	0503010016	BEARING LM		02
10	0521010997	SCREW THEAD		01
11	0503011171	00912-BRG SEAL		01
12	0502011457	SMALLER COVER		01
13	0503030981	102 X 75,5 X 0,10 JOINT		01
14	0521011023	PLUG		01
15	0503031604	1/2" BSP PLUG		01
16	0503010856	OIL PLUG		01



Item	Code	Description	See page	QT
01	0511066460	SUPER REDUCTION		01
02	0531010272	REDUCTION AXLE SUPER		01
03	0511041213	AGRICULTURAL BEARING		02
04	0503011082	C1/2" X 1.3/4" SCREW		04
05	0511017302	FLAT WASHER		08
06	0503010019	1/2" SPRING WASHER		08
07	0503010060	1/2" NUT		08
08	0511062364	REDUCTION GEAR SUPER		01
09	0503011855	0.2" X 1.8" SPRING PIN		01
10	0503010395	1/2" X 1-1/4" BOLT		02
11	0503010920	1/2" X 1.1/2" BOLT		02
12	0503012942	50-1 CHAIN X 46 LINK + REDUCTION		01



www.marchesan.com.br



Technical Publications | Elaboration and Revision
JOÃO VIRGINIO ROCHA