

PARTS CATALOG

CHASER BIN

DCA2 10500 MC WITH DAMPER / SUPER REDUCTION

Code: 0501091490



Series: S-0303

Review: JULHO/2017

ORIGINAL PARTS
TATU



PRODUCTS

Code	Description
0109090061	DCA2 10500 MC C/ABAFADOR S-0303
0109090112	DCA2 10500 MC C/ABAFADOR S/RED S303
0109090205	DCA2 10500 MC C/ABAFADOR/SUPER RED S-0303
0109090143	DCA2 10500 MC C/RODA S/PN S/CAM S-0303

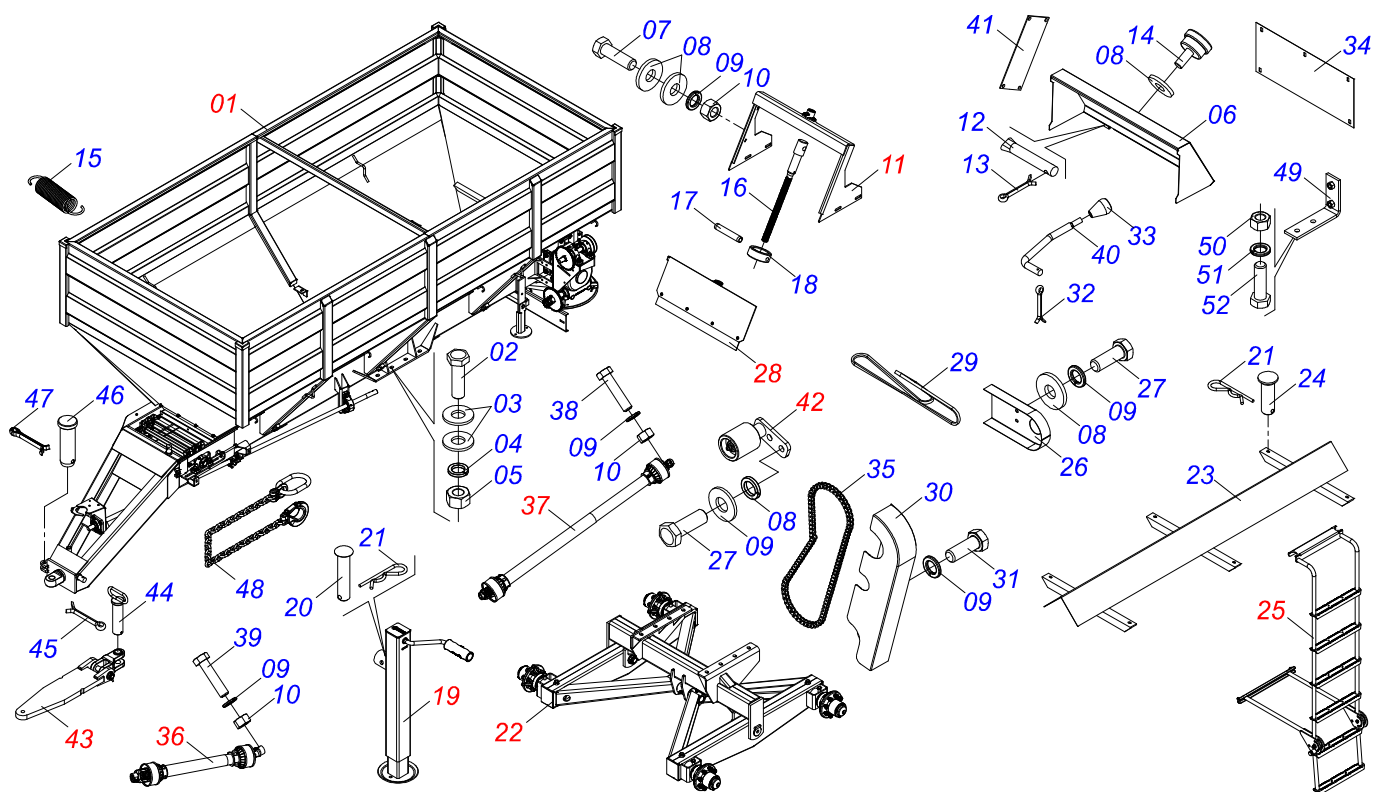
ATTENTION: **IMPORTANT**

MARCHESAN S/A RESERVES THE RIGHT AT ANY TIME TO MAKE IMPROVEMENTS IN THE DESIGN, MATERIAL OR SPECIFICATIONS OF MACHINERY, EQUIPMENT OR PARTS WITHOUT THEREBY BECOMING LIABLE TO MAKE SIMILAR CHANGES IN MACHINERY, EQUIPMENT OR PARTS PREVIOUSLY SOLD.

INDEX

0909092682	ASSY FRAME	1
0501054613	DCA2 10500 MC BUCKET	2
0511059305	REAR PROTECTION WITH MINOR PROTECTOR	3
0501044308	AGRICULTURAL BEARING ASSY	4
0501047985	REDUCER	5
0501051774	38Z CONICAL	6
0501046802	BELT TENSIONER ASSY	7
0501051782	RIGHT BEARING SUPPORT DISC	8
0501051783	LEFT BEARING SUPPORT DISC	9
0501048000	AGRICULTURAL BEARING	10
0501051972	DISTRIBUTOR RIGHT DISC ASSY	11
0501051973	DISTRIBUTOR LEFT DISC ASSY	12
0511041213	AGRICULTURAL BEARING	13
0501056885	CARDAN LEVER SUPPORT	14
0501044306	BATH BEARING	15
0501054846	SLUICE VALVE SUPPORT	16
0503062157	HEADER JACK	17
0511042281	BELL CRANK FIXER SUPPORT	18
0501056347	CARRYING WHEELS WITHOUT TIRE	19
0511059633	ASSY LADDER	20
0501054847	SLUICE VALVE COVER ASSY	21
0511043330	DRIVE SHAFT	22
0501048200	DRIVE SHAFT	23
0501050829	CHAIN TENSIONER	24
0511059024	ENGATE TRATOR COMPLETO	25
0909092678	DAMPER	26
0909093413	KIT WITH BRAKE	27
0501056429	SET SUPER REDUCTION	28
0511059223	WHEEL WITH LEFT SIDE TIRE	29
0511059222	WHEEL WITH TIRE RIGHT SIDE	30

ASSY FRAME



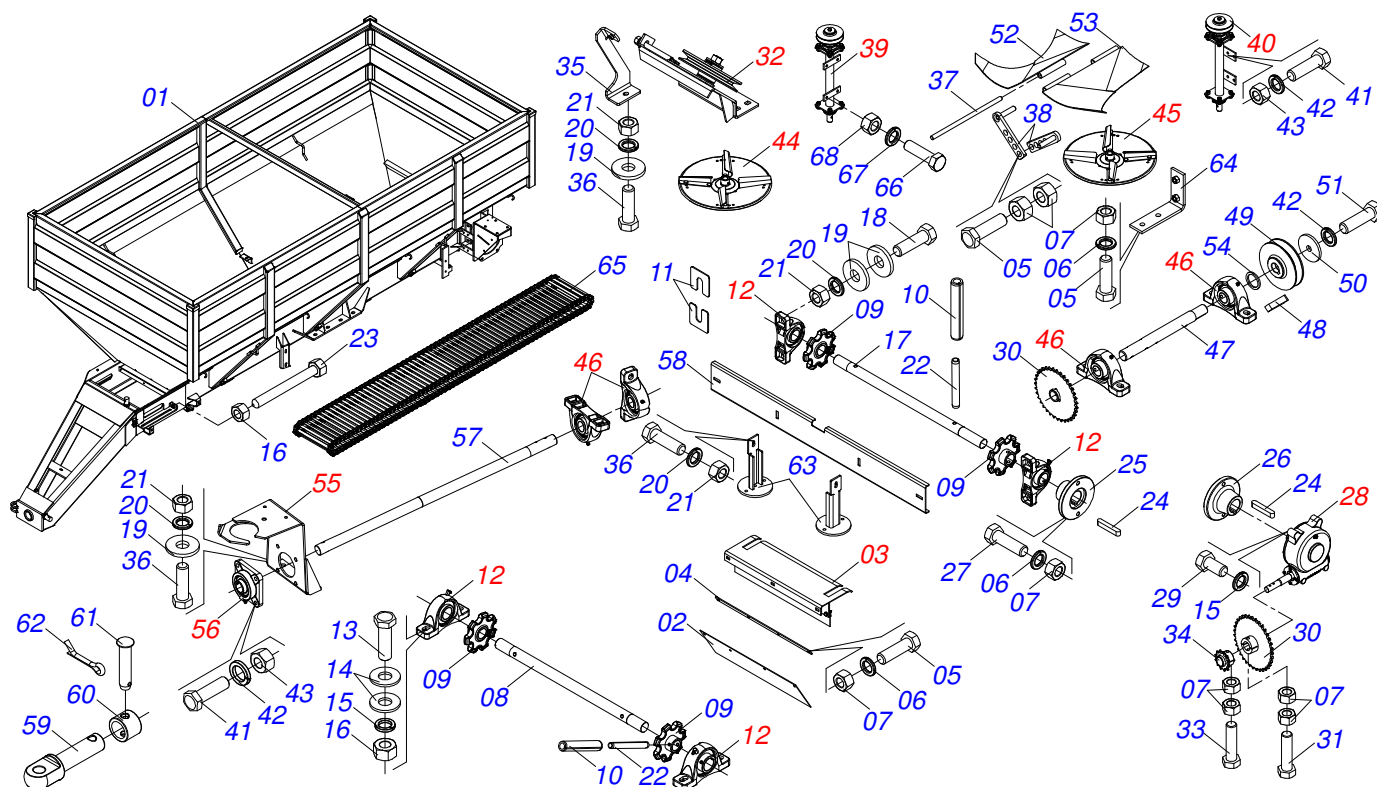
Item	Code	Description	QT
00	0521045508	ASSY FRAME	00
01	0501054613	DCA2 10500 MC BUCKET	01
02	0501010125	3/4" X 2-1/2" BOLT	08
03	0501010322	FLAT WASHER	16
04	0503010023	SPRING WASHER	08
05	0503010014	3/4" NUT	08
06	0501069840	REAR COVER PROTECTION	01
07	0503010751	C3/8" X 1.1/4" HEX BOLT G.5	04
08	0501010984	FLAT WASHER	16
09	0503010025	3/8 SPRING WASHER	18
10	0503010026	3/8" NUT	14
11	0501054846	SLUICE VALVE SUPPORT	01
12	0501017574	0.3" X 2.7" AXLE	02
13	0503010140	1/8" X 3/4" COTTERPIN	02
14	0503010386	CABLE	01
15	0503030198	0.6" X 2.4" X 0.1" EXTENSION SPRING	01
16	0561014861	REGULATOR	01
17	0503010561	SPRING PIN	01
18	0511013015	SLEEVE	01
19	0503062157	HEADER JACK	01
20	0521010549	COUPLING SHAFT	01
21	0503030168	HAIR PIN	07
22	0511042281	BELL CRANK FIXER SUPPORT	01
23	0511064692	DEFLECTOR	01
24	0521017623	0.5" X 1.5" COUPLING SHAFT	06
25	0511059633	ASSY LADDER	01
26	0521011062	BELT PROTECTION SIDE	01
27	0503010237	3/8" X 1" BOLT	09
28	0501054847	SLUICE VALVE COVER ASSY	01
29	0503010154	C-128 BELT	01
30	0501069179	CARRY-WHEEL CHAIN PROTECTION CAP	01
31	0503010256	3/8" X 3/4" BOLT	02
32	0503010257	1/8" X 1" COTTERPIN	01



ASSY FRAME

0909092682

Item	Code	Description	QT
33	0503030878	LEVER CRANK	01
34	0501019460	REAR PROTECTION	01
35	0503011351	50-1 CHAIN X 79 LINK + MENDING	01
36	0511043330	DRIVE SHAFT	01
37	0501048200	DRIVE SHAFT	01
38	0503011268	3/8" X 2-1/2" BOLT	02
39	0503011141	3/8" X 2-3/4" BOLT	01
40	0521011107	CRANK BODY	01
41	0503030751	REGULATOR PLATE	01
42	0501050829	CHAIN TENSIONER	01
43	0511059024	ENGATE TRATOR COMPLETO	01
44	0511066176	HITCH PIN	01
45	0503010010	1/4" X 2.1/2" COTTERPIN	01
46	0581011220	COUPLING SHAFT	01
47	0503010131	3/16" X 1-1/2" COTTERPIN	01
48	0503013150	1300 X 3/8 CHAIN	01
49	0501069225	BELT PROTECTION FIXER	01
50	0503010026	3/8" NUT	02
51	0503010025	3/8 SPRING WASHER	02
52	0503010237	3/8" X 1" BOLT	02

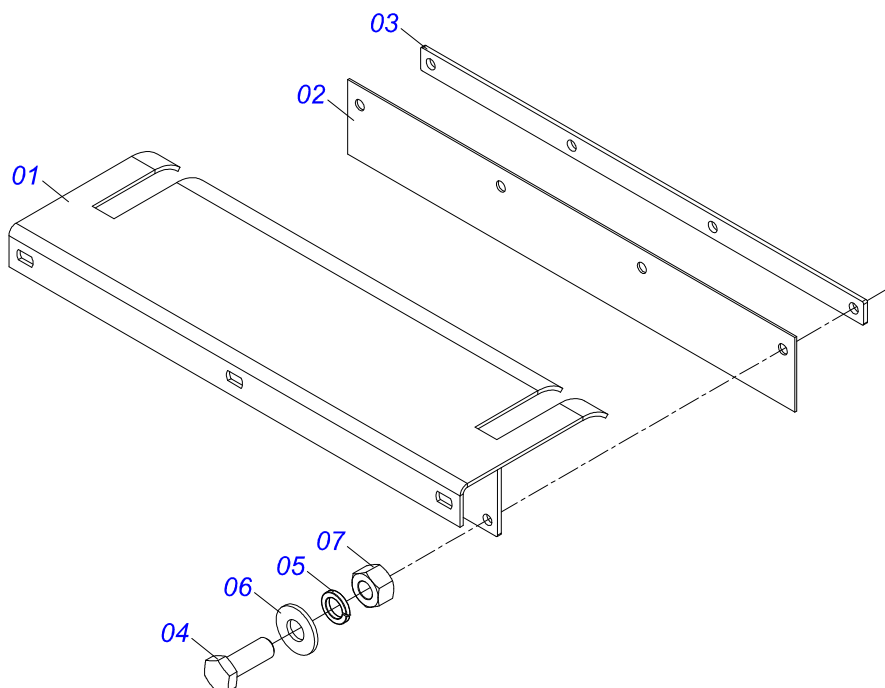


Item	Code	Description	QT
01	0511064672	DCA2 10500 MC S-0303 BUCKET	01
02	0511011866	PROTECTION LARGER	01
03	0511059305	REAR PROTECTION WITH MINOR PROTECTOR	01
04	0511016575	RUBBER COVER FIXER	01
05	0503010237	3/8" X 1" BOLT	06
06	0503011443	SPRING WASHER	08
07	0503010026	3/8" NUT	16
08	0511016482	DRIVEN AXLE	01
09	0502040728	7Z GEAR	04
10	0503010361	SPRING PIN	06
11	0501010794	HIDR CHOCK REGULATOR	04
12	0501044308	AGRICULTURAL BEARING ASSY	04
13	0503010233	5/8" X 2-1/2" BOLT	04
14	0501012140	FLAT WASHER	08
15	0503011445	SPRING WASHER	08
16	0503010013	5/8" NUT	06
17	0511016481	MOTOR SHAFT	01
18	0503010740	1/2" X 2" BOLT	12
19	0511017302	FLAT WASHER	27
20	0503011440	SPRING WASHER	21
21	0503010060	1/2" NUT	21
22	0503010756	0.2" X 2.4" SPRING PIN	04
23	0501067853	ROD STABILIZER	02
24	0501010540	KEYWAY SQUARE	02
25	0511016540	MAT COUPLING FLANGE	01
26	0511016541	REDUCTION COUPLING FLANGE	01
27	0503010849	3/8" X 1-1/2" BOLT	03
28	0501047985	REDUCER	01
29	0503011167	M16 X 2 X 30 BOLT	04
30	0501069020	35Z GEAR	02
31	0503011141	3/8" X 2-3/4" BOLT	02
32	0501046802	BELT TENSIONER ASSY	01
33	0503011268	3/8" X 2-1/2" BOLT	01

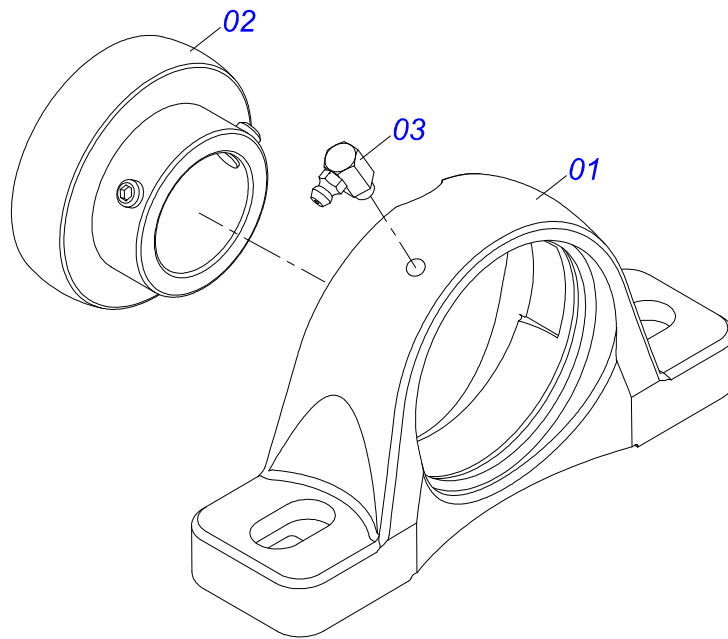
**DCA2 10500 MC BUCKET**

0501054613

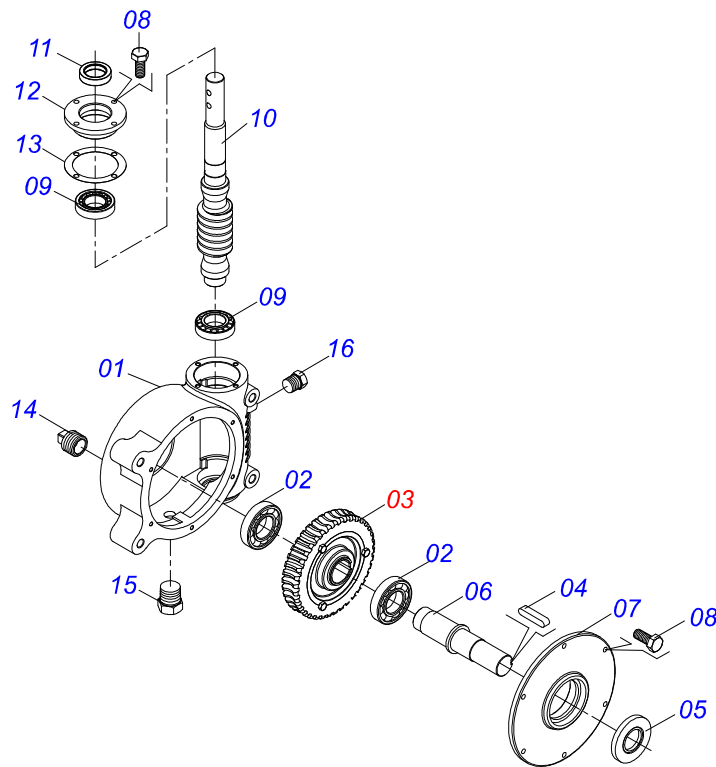
Item	Code	Description	QT
34	0501069017	12Z GEAR	01
35	0511060909	PROTECTION REAR SUPPORT FIXER	01
36	0503010920	1/2" X 1.1/2" BOLT	09
37	0511016530	TENSIONER OPEN	01
38	0501067368	DIVISOR REGULATOR OPEN	02
39	0501051782	RIGHT BEARING SUPPORT DISC	01
40	0501051783	LEFT BEARING SUPPORT DISC	01
41	0503010920	1/2" X 1.1/2" BOLT	12
42	0503011440	SPRING WASHER	13
43	0503010060	1/2" NUT	12
44	0501051972	DISTRIBUTOR RIGHT DISC ASSY	01
45	0501051973	DISTRIBUTOR LEFT DISC ASSY	01
46	0511041213	AGRICULTURAL BEARING	04
47	0521011063	TRANSMISSION AXLE	01
48	0501010536	KEYWAY SQUARE	01
49	0502011361	REEL 1C 5.5" X 1.1" PULLEY	01
50	0511014052	FLAT WASHER	01
51	0503010355	7/16" X 1" BOLT	01
52	0501067203	RIGHT FLOW DIVIDING	01
53	0501067361	LEFT FLOW DIVIDING	01
54	0511016579	WASHER	01
55	0501056885	CARDAN LEVER SUPPORT	01
56	0501044306	BATH BEARING	01
57	0541014889	TRANSMISSION AXLE	01
58	0501019838	BAMPER	01
59	1902040223	PIN HITCH	01
60	1902040327	LOCK SLEEVE	01
61	0521010579	COUPLING SHAFT	01
62	0503010571	1/4" X 1.1/2 COTTERPIN	01
63	0521067015	SUPPORT PROTETION DISC	02
64	0501069225	BELT PROTECTION FIXER	01
65	0511064673	DRIVE THE FERTILIZER TRANSPORT	01
66	0503010920	1/2" X 1.1/2" BOLT	04
67	0503010019	1/2" SPRING WASHER	04
68	0503010060	1/2" NUT	04



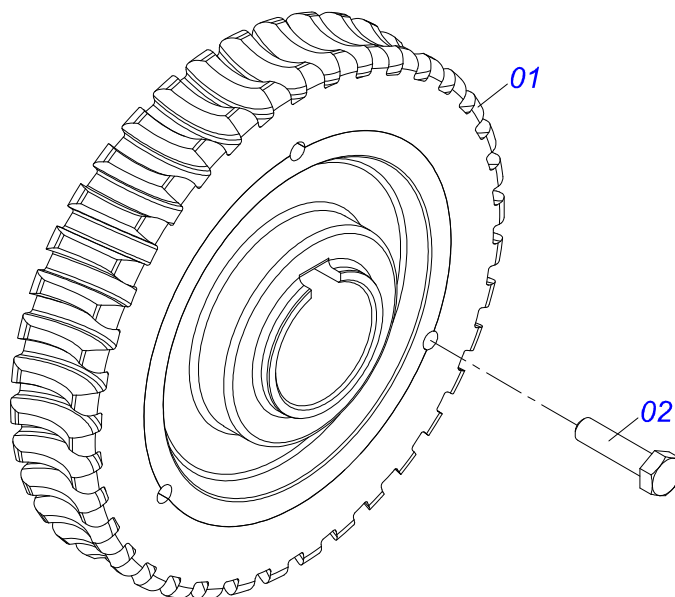
Item	Code	Description	QT
01	0501067379	MAT REAR PROTECTION	01
02	0511014562	PROTECTION SMALLER	01
03	0511016575	RUBBER COVER FIXER	01
04	0503010237	3/8" X 1" BOLT	04
05	0503011443	SPRING WASHER	04
06	0501010984	FLAT WASHER	04
07	0503010026	3/8" NUT	04



Item	Code	Description	QT
01	0502011050	AGRICULTURAL HOUSING BEARING	01
02	0503011163	1108/UCR BEARING ASSY	01
03	0503010004	1890 GREASE FITTING	01

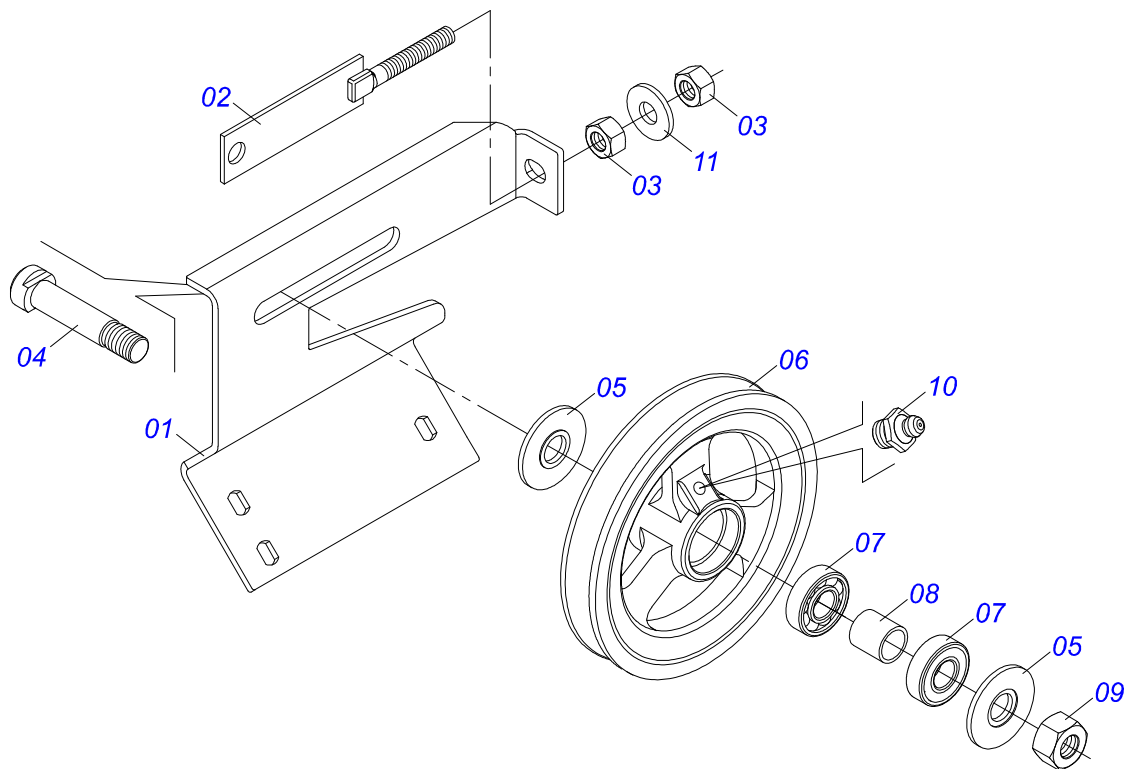


Item	Code	Description	QT
01	0502011456	REDUCTION BOX	01
02	0503011095	6208 BALL BEARING	02
03	0501051774	38Z CONICAL	01
04	0503011304	1/2" X 2.4" KEYWAY SQUARE	01
05	0503010818	02675-BRG SEAL	01
06	0521010996	AXLE	01
07	0502020556	LARGER COVER	01
08	0503010240	5/16" X 3/4" BOLT	10
09	0503010016	BEARING LM	02
10	0521010997	SCREW THEAD	01
11	0503011171	00912-BRG SEAL	01
12	0502011457	SMALLER COVER	01
13	0503030981	102 X 75,5 X 0,10 JOINT	01
14	0521011023	PLUG	01
15	0503031604	1/2" BSP PLUG	01
16	0503010856	OIL PLUG	01

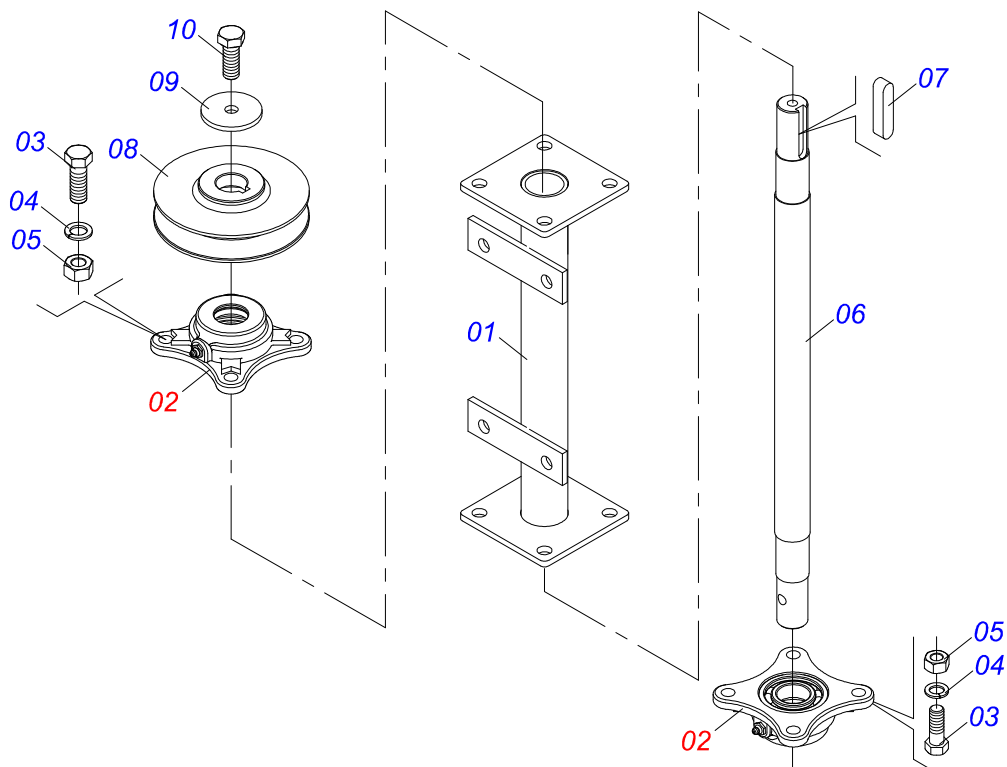


Item	Code	Description	QT
001	0501110280	38Z CONICAL	01
002	0503010365	NUT	03

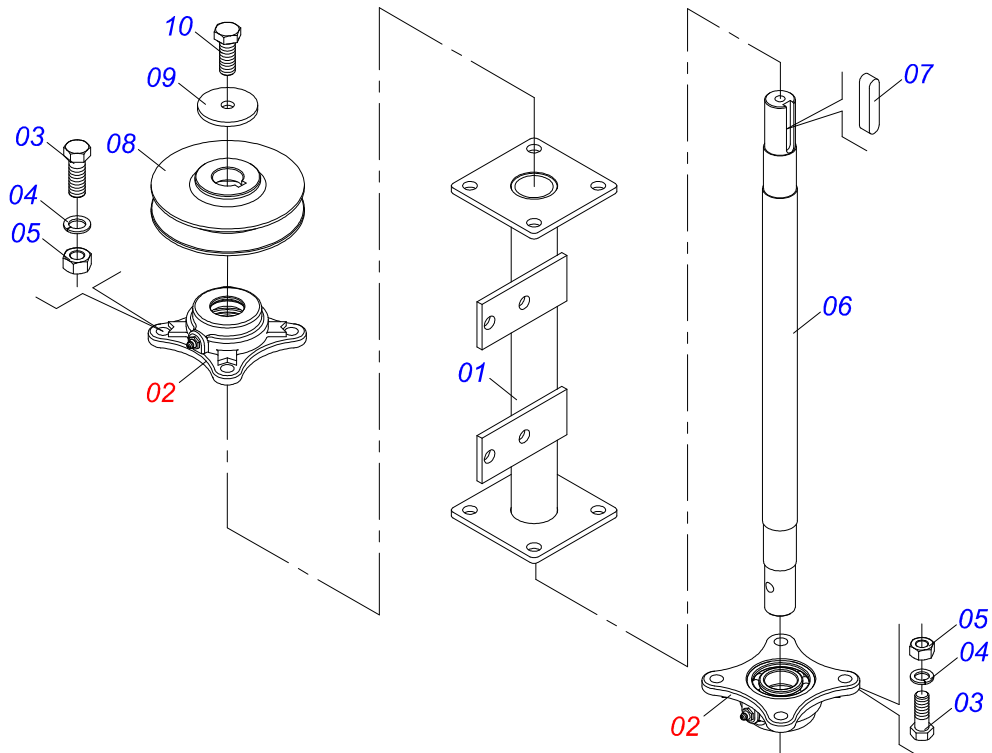
BELT TENSIONER ASSY



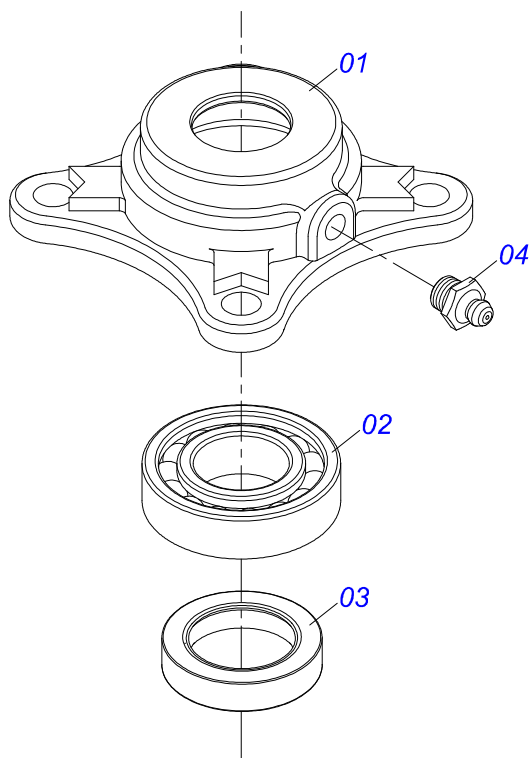
Item	Code	Description	QT
01	0501066100	SUPPORT	01
02	0501065968	1C X 8.3 PULLEY TENSIONER	01
03	0503010013	5/8" NUT	02
04	0511012362	TIGHTENER AXLE PULLEY	01
05	0501019288	WASHER SPACER	02
06	0502011366	REEL 1C 8.3" X 1.6" PULLEY	01
07	0503010690	6204 BALL BEARING	02
08	0521010497	0.8" X 1.1" X 1.1" SPACER	01
09	0503010014	3/4" NUT	01
10	0503010002	1800 GREASE FITTING	01
11	0501012140	FLAT WASHER	01



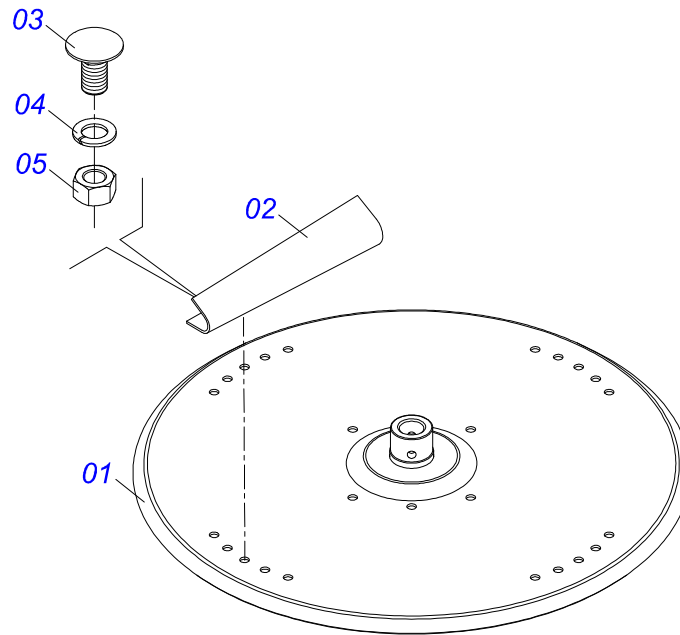
Item	Code	Description	QT
01	0501067387	DISTRIBUTOR RIGHT SUPPORT DISC	01
02	0501048000	AGRICULTURAL BEARING	02
03	0503011102	PARAFUSO 7/16 UNC X 1.1/4 C S G.5	08
04	0503011446	SPRING WASHER	08
05	0503010244	7/16" NUT	08
06	0511016489	DISTRIBUTOR AXLE CONDUCTOR DISC	01
07	0501010536	KEYWAY SQUARE	01
08	0502011361	REEL 1C 5.5" X 1.1" PULLEY	01
09	0511014052	FLAT WASHER	01
10	0503010355	7/16" X 1" BOLT	01



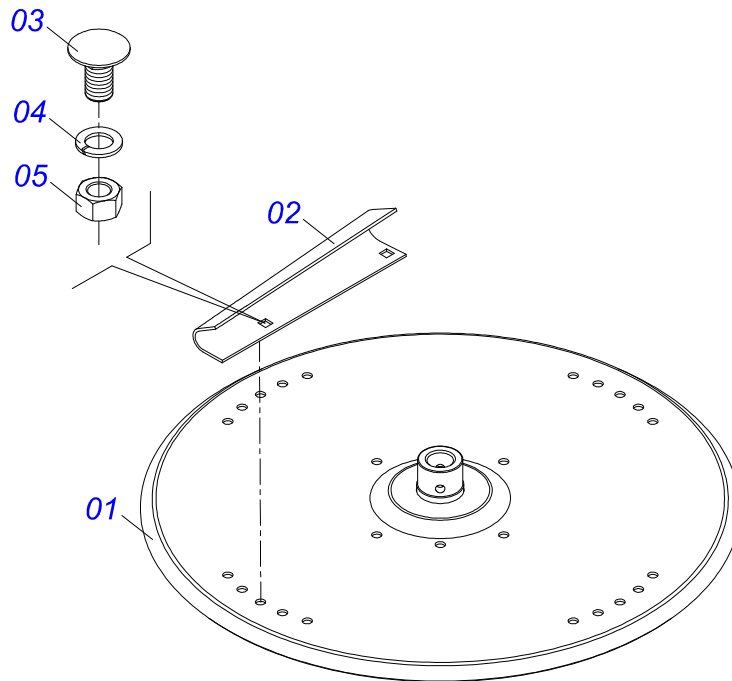
Item	Code	Description	QT
01	0501067388	DISTRIBUTOR LEFT SUPPORT DISC	01
02	0501048000	AGRICULTURAL BEARING	02
03	0503011102	PARAFUSO 7/16 UNC X 1.1/4 C S G.5	08
04	0503011446	SPRING WASHER	08
05	0503010244	7/16" NUT	08
06	0511016489	DISTRIBUTOR AXLE CONDUCTOR DISC	01
07	0501010536	KEYWAY SQUARE	01
08	0502011361	REEL 1C 5.5" X 1.1" PULLEY	01
09	0511014052	FLAT WASHER	01
10	0503010355	7/16" X 1" BOLT	01



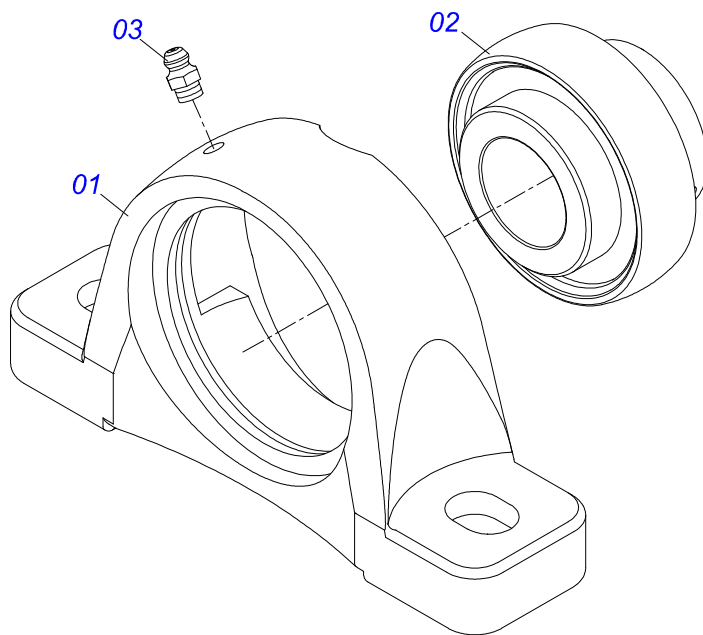
Item	Code	Description	QT
01	0502011442	AGRICULTURAL HOUSING BEARING	01
02	0503010276	6206 BALL BEARING	01
03	0503011865	SEAL	01
04	0503010002	1800 GREASE FITTING	01



Item	Code	Description	QT
01	0501069605	DISTRIBUTOR DISC	01
02	0521018637	RH FLIP	04
03	0503013029	3/8" X 3/4" BOLT	08
04	0503011443	SPRING WASHER	08
05	0503010026	3/8" NUT	08

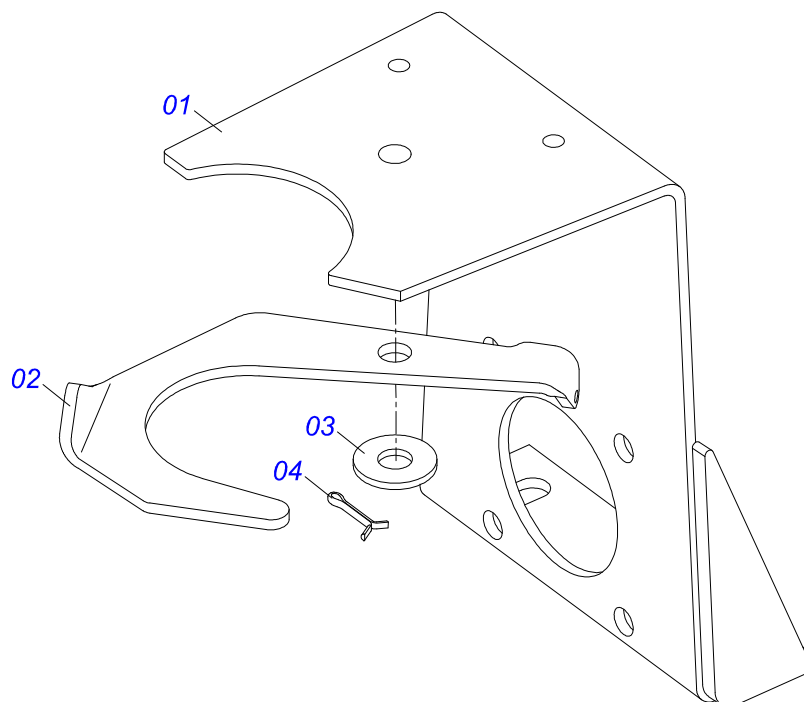


Item	Code	Description	QT
01	0501069605	DISTRIBUTOR DISC	01
02	0521018638	LH FLIP	04
03	0503013029	3/8" X 3/4" BOLT	08
04	0503011443	SPRING WASHER	08
05	0503010026	3/8" NUT	08

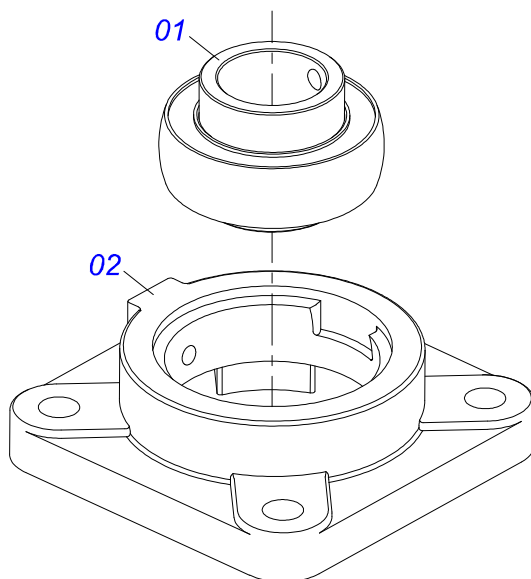


Item	Code	Description	QT
01	0502011954	AGRICULTURAL HOUSING BEARING	01
02	0503011884	BALL BEARING	01
03	0503010691	1/4" GREASE FITTING	01

CARDAN LEVER SUPPORT

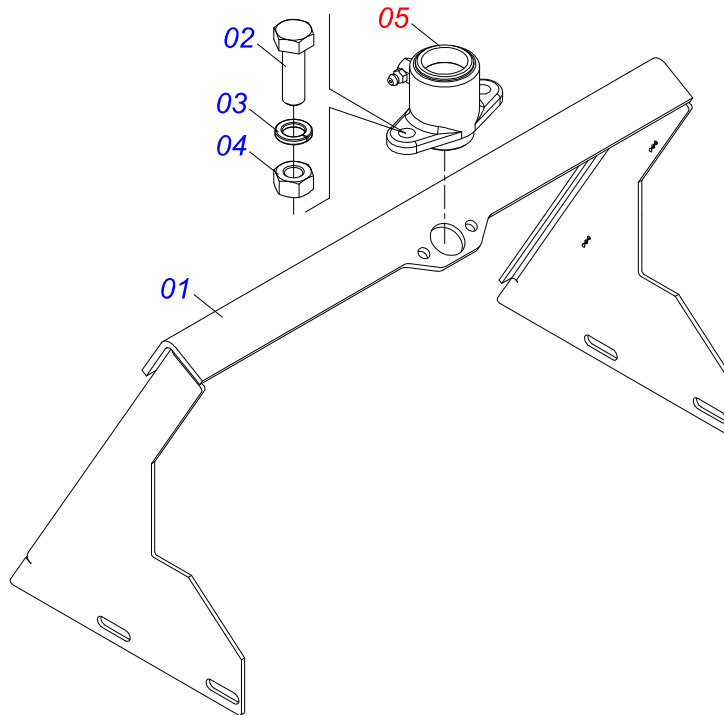


Item	Code	Description	QT
01	0501066588	CARDAN LARGE SUPPORT	01
02	0511014066	CARDAN SMALLE SUPPORT	01
03	0511017302	FLAT WASHER	01
04	0503010257	1/8" X 1" COTTERPIN	01



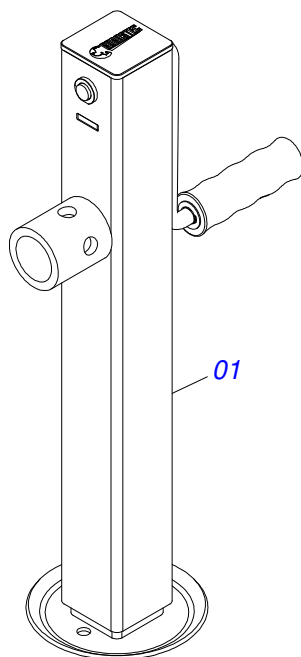
Item	Code	Description	QT
01	0503011162	BALL BEARING	01
02	0503011146	HOUSING BEARING	01

SLUICE VALVE SUPPORT



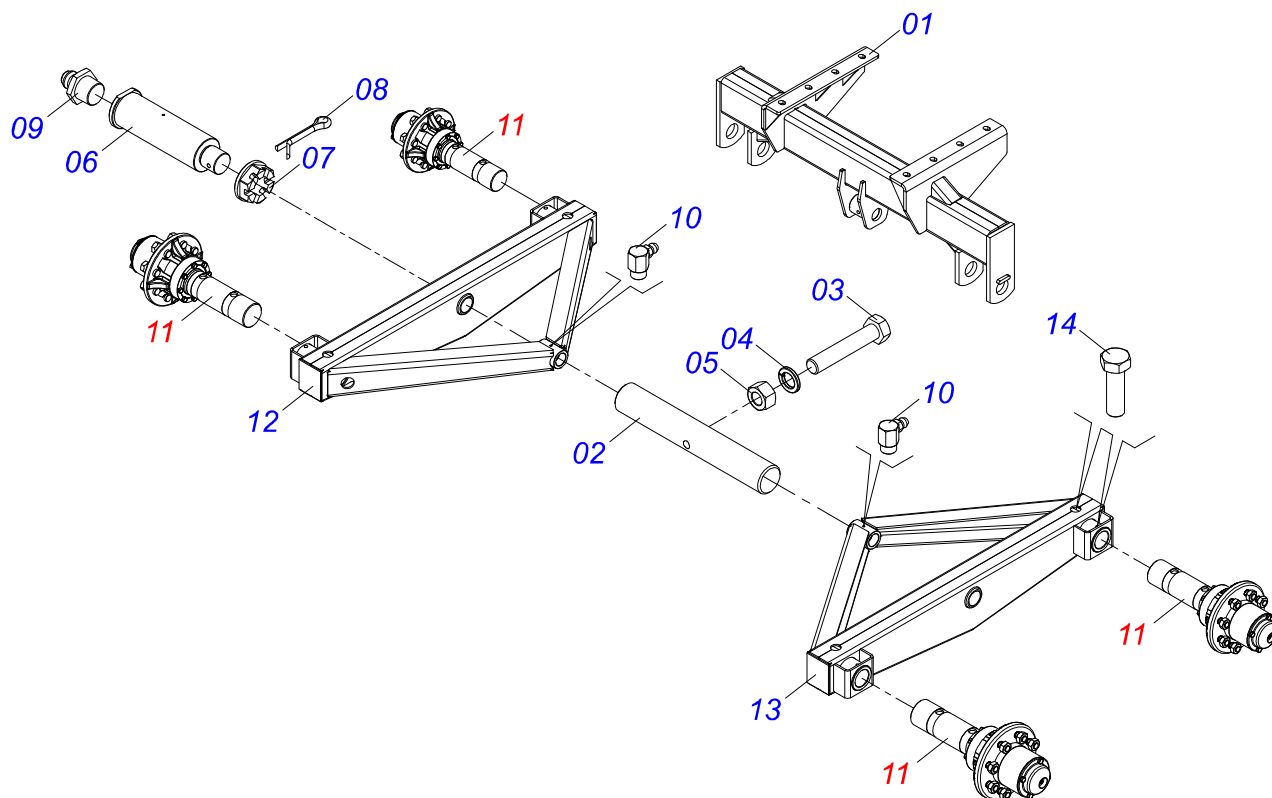
Item	Code	Description	QT
01	0501069841	SLUICE VALVE SUPPORT	01
02	0503010371	5/16" X 1" BOLT	02
03	0503011444	SPRING WASHER	02
04	0503010337	5/16" NUT	02
05	0511059094	SHAFT BEARING THREADED	01

HEADER JACK

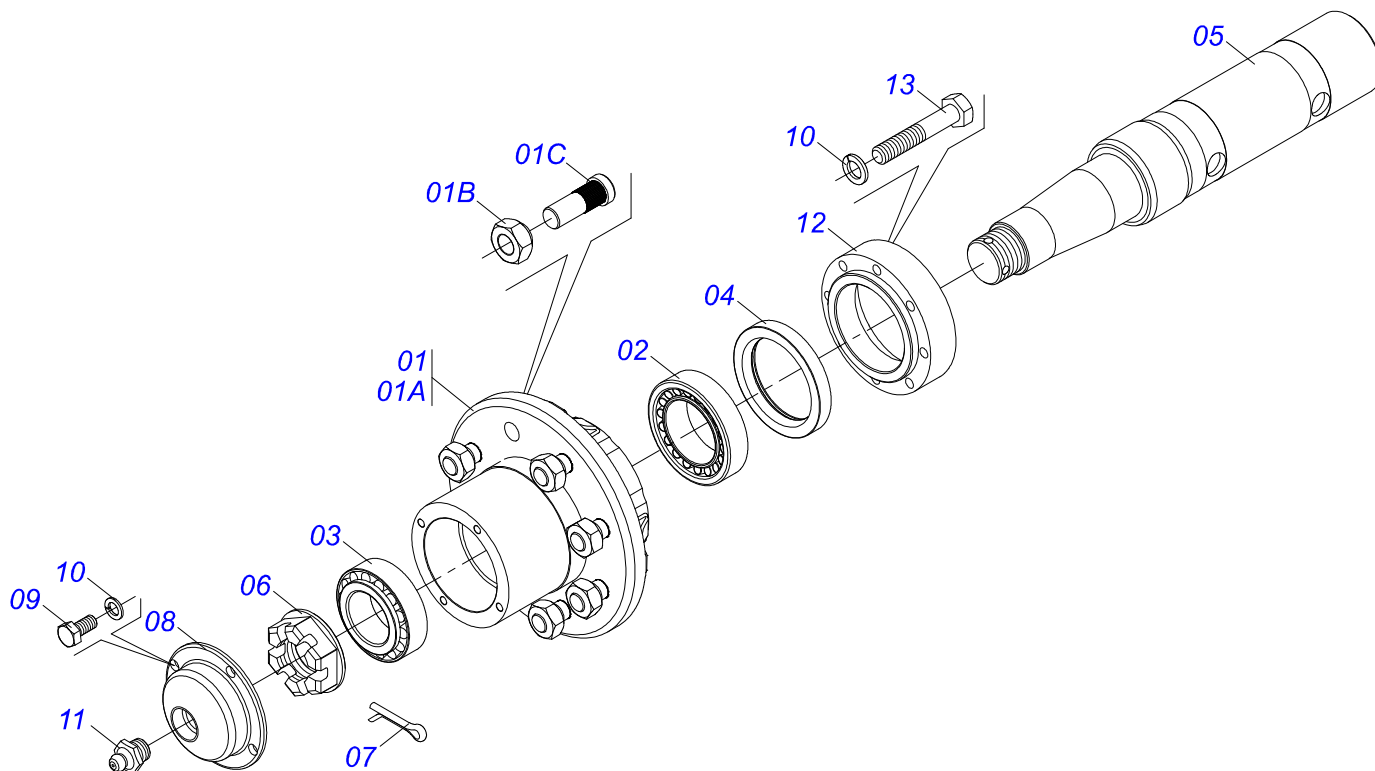


Item	Code	Description	QT
01	0503062157	HEADER JACK	01

BELL CRANK FIXER SUPPORT

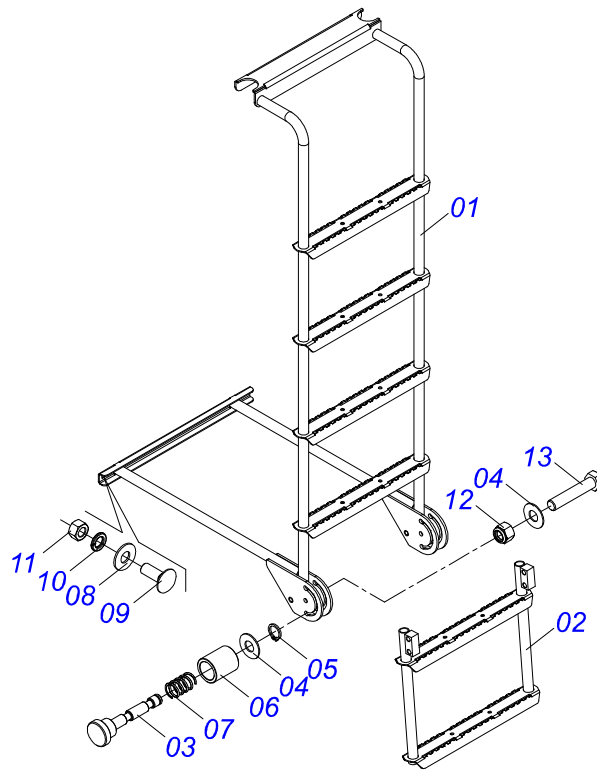


Item	Code	Description	QT
001	0511065192	BEEEL CRANK FIXER SUPPORT	01
002	0531016579	CENTRAL AXLE	01
003	0503010547	1/2" X 4" BOLT	01
004	0503011440	SPRING WASHER	01
005	0503010060	1/2" NUT	01
006	0531016580	1-1/2" UNC X8.5"PIVOT SHAFT	02
007	0501011301	1.1/2 UNC 6FPP 2.5/16 NUT	02
008	0503010010	1/4" X 2.1/2" COTTERPIN	02
009	0503010002	1800 GREASE FITTING	02
010	0503010004	1890 GREASE FITTING	02
011	0501056347	CARRYING WHEELS WITHOUT TIRE	04
012	0511066146	LEFT ROCKER ARM	01
013	0511066145	RIGHT ROCKER ARM	01
014	0503010233	5/8" X 2-1/2" BOLT	08



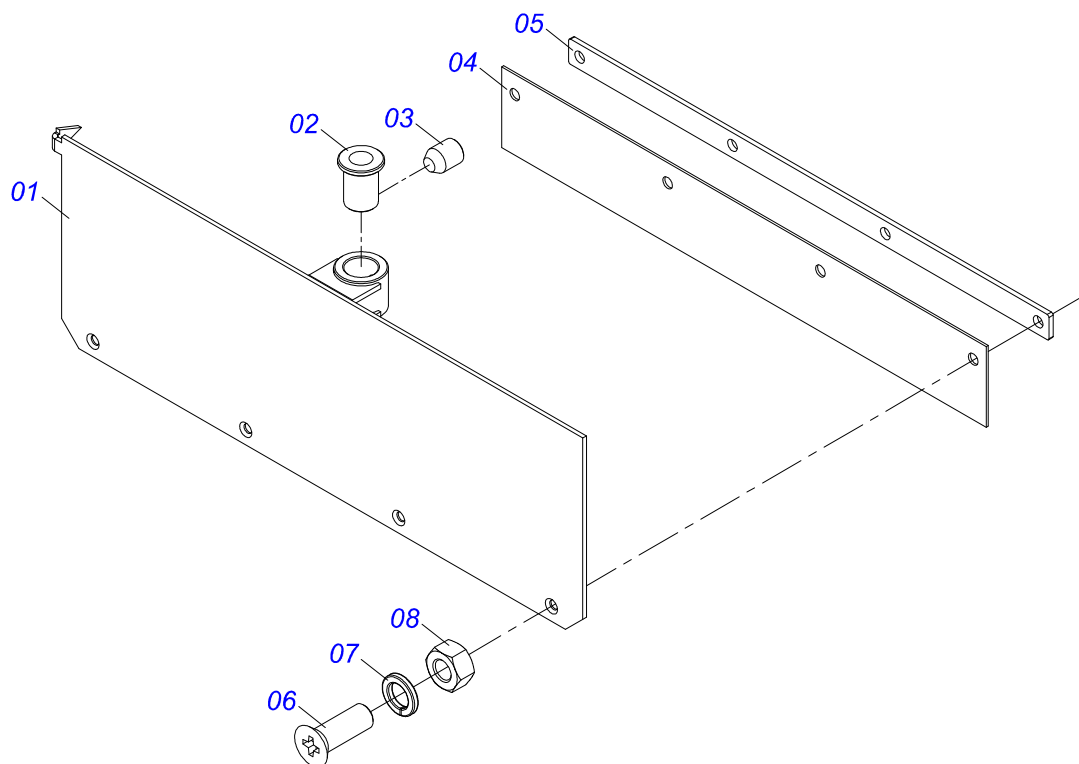
Item	Code	Description	QT
01	0501110763	CARRYING WHEEL HUB	01
01A	0502012318	CARRYING WHEEL HUB	01
01B	0503010064	5/8 UNF CONIC NUT	08
01C	0501011052	5/8" X 1-3/4" BOLT	08
02	0503013453	SKF 33011 ROLLER BEARING	01
03	0503013454	SKF 33109 ROLLER BEARING	01
04	0503010086	SEAL 0009B-B	01
05	0541015586	WHEEL AXLE	01
06	0501010630	1.1/2" CASTLE NUT	01
07	0503010523	1/4" X 2" COTTERPIN	01
08	0502020592	COVER	01
09	0503010295	5/16" X 5/8" BOLT	04
10	0503011444	SPRING WASHER	12
11	0503010002	1800 GREASE FITTING	01
12	0502012175	SEAL FLANGE	01
13	0503010397	5/16" X 1-3/4" BOLT	08

ASSY LADDER



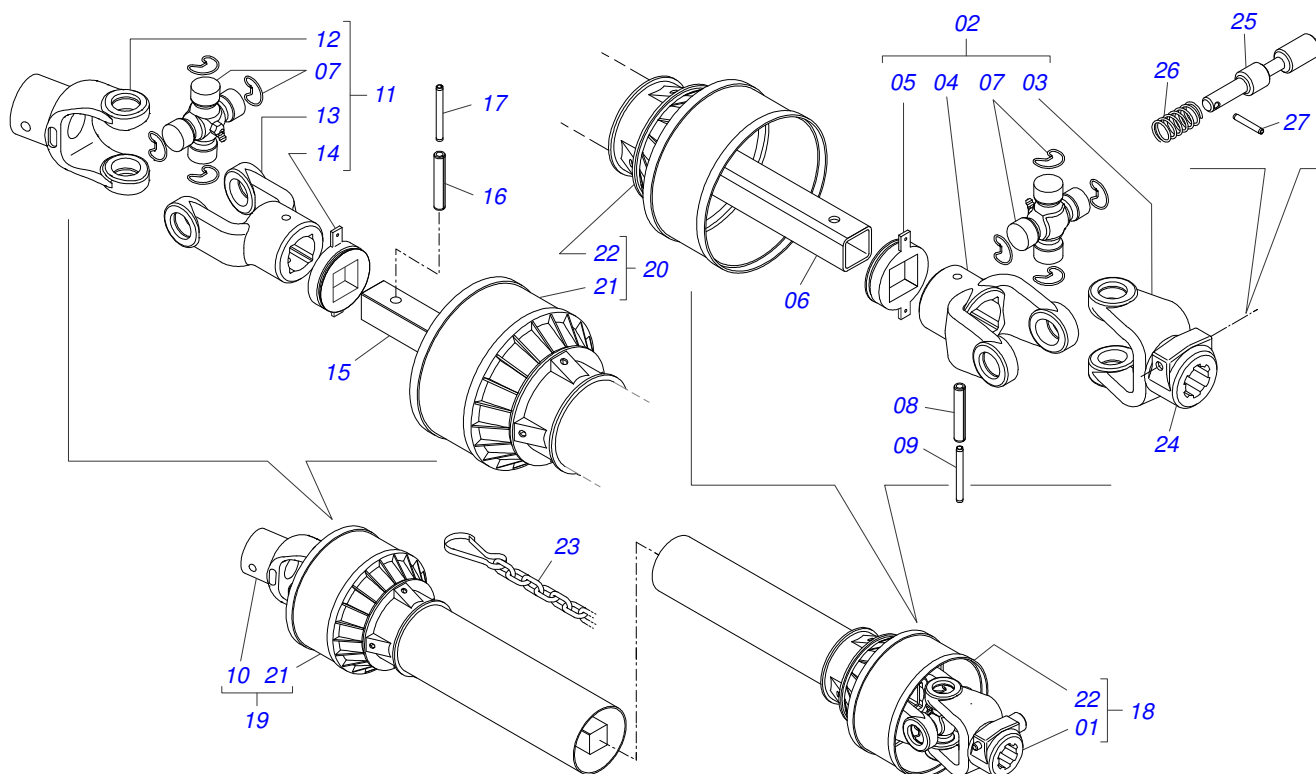
Item	Code	Description	QT
001	0521067154	LADDER	01
002	0521067130	LADDER EXTENDER	01
003	0571019930	EXTENSION LOCK AXLE	01
004	0501013519	FLAT WASHER	03
005	0503010291	501012 CLAMPING RING (FOR AXLE)	01
006	0571019931	GUIDE GLOVE	01
007	0503032035	0.7" X 1.2" X 1" COMPRESSION SPRING	01
008	0501013518	FLAT WASHER	02
009	0501011643	3/8 X 1" BOLT	02
010	0503010025	3/8 SPRING WASHER	02
011	0503010026	3/8" NUT	02
012	0503010589	1/2" UNC SELF ADJUSTING NUT	02
013	0503010734	1/2" X 2-1/2" BOLT	02

SLUICE VALVE COVER ASSY



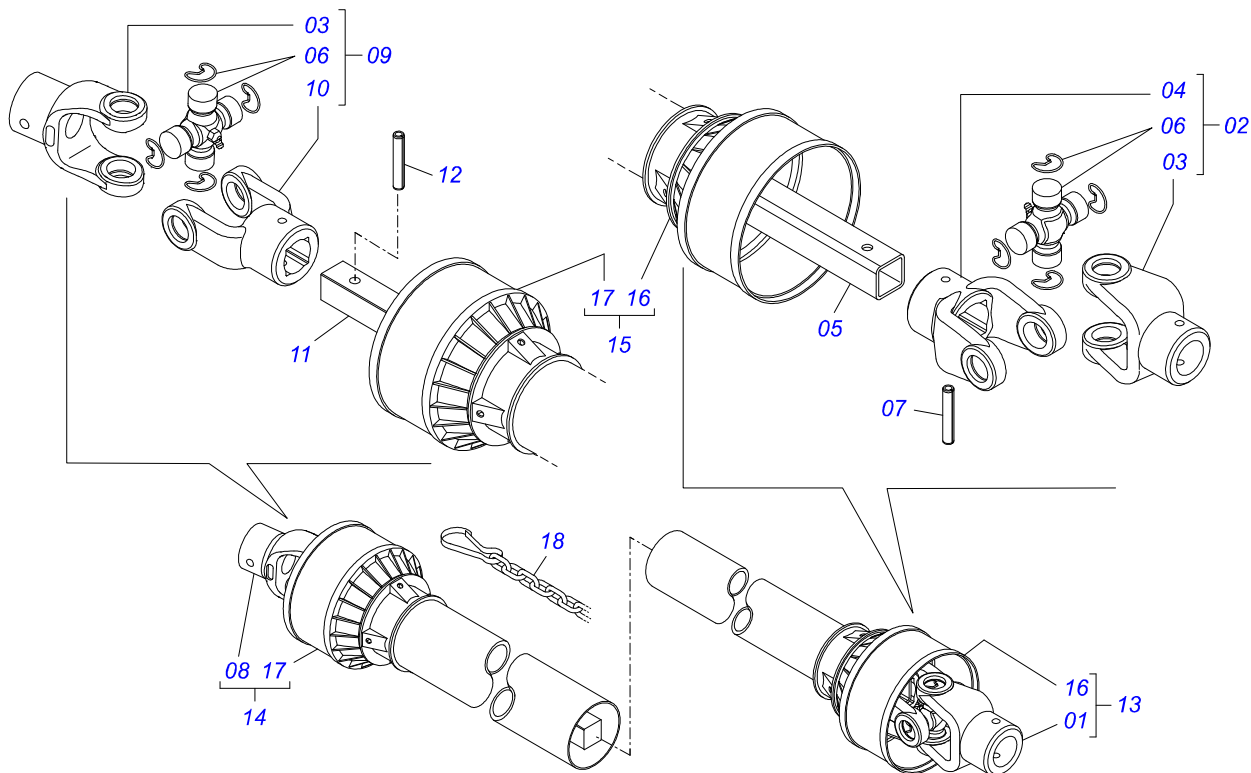
Item	Code	Description	QT
01	0501069181	SLUICE VALVE COVER	01
02	0501019831	ADJUSTING NUT	01
03	0503011148	3/8" X 1/2" BOLT	01
04	0511014562	PROTECTION SMALLER	01
05	0511016575	RUBBER COVER FIXER	01
06	0503010546	5/16" X 7/8" BOLT	04
07	0503011444	SPRING WASHER	04
08	0503010337	5/16" NUT	04

DRIVE SHAFT

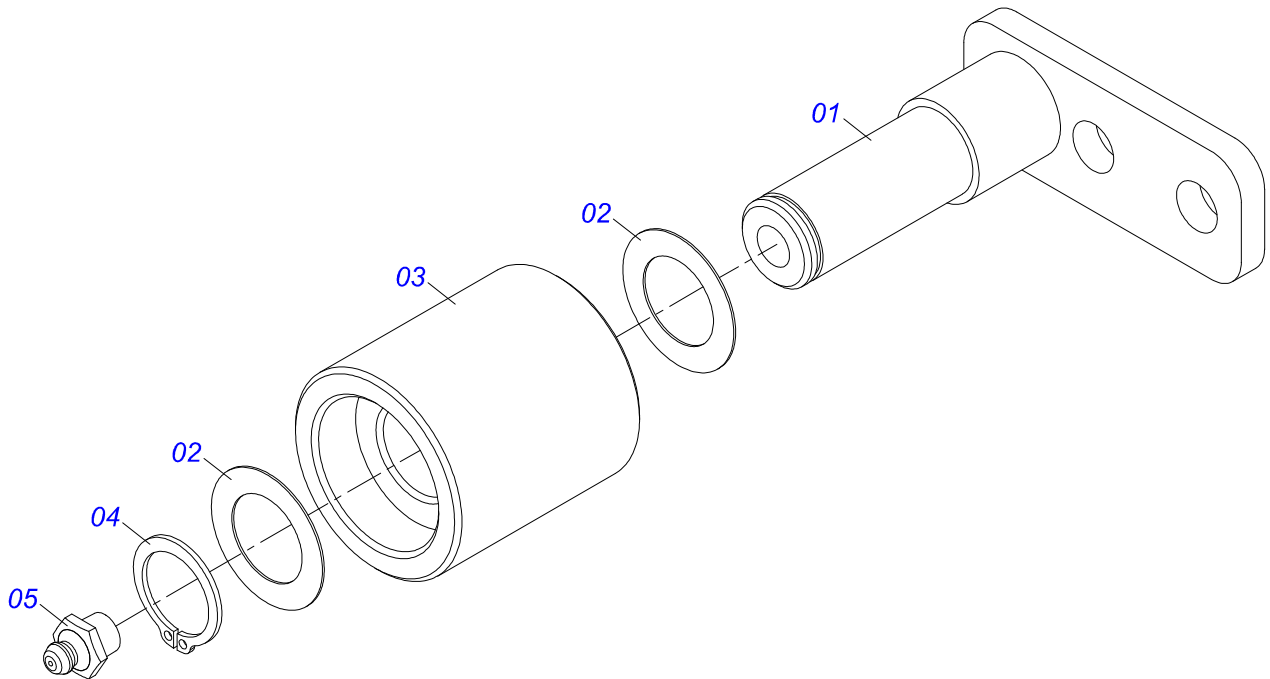


Item	Code	Description	QT
01	0501056756	UNIVERSAL JOINT	01
02	0501050265	UNIVERSAL JOINT	01
03	0502010563	1-40 STRIATED 1.3/8" TERMINAL	01
04	0502010563	1-40 STRIATED 1.3/8" TERMINAL	01
05	0503012069	ADAPTER FOR BUSHING PROTECT	01
06	0501017427	20" X 1.5" SQUARE SLEEVE	01
07	0503010836	CARDAN CROSSPIECE	01
08	0503011069	0.4" X 2.8" SPRING PIN	01
09	0503010510	0.2" X 2.6" SPRING PIN	01
10	0501056755	UNIVERSAL JOINT	01
11	0501052178	UNIVERSAL JOINT	01
12	0502011611	9-40 TERMINAL	01
13	0502010566	3-40 TERMINAL W/ SH 1.2"/1.2"	01
14	0503012070	ADAPTER FOR AXLE PROTECTION	01
15	0501017423	1.2" X 19.6" SQUARE SHAFT	01
16	0503010361	SPRING PIN	01
17	0503010756	0.2" X 2.4" SPRING PIN	01
18	0501052179	PROT/SLEEVE UNIVERSAL JOINT	01
19	0501052180	PROT/AXLE UNIVERSAL JOINT	01
20	0503012277	PROTECTION ASSY	01
21	0503012278	PROTECTION FOR UNIV JOINT SLEEVE	01
22	0503012279	PROTECTION FOR UNIV JOINT AND AXLE	01
23	0503012023	CHAIN FOR UNIV JOINT PROTECTION	02
24	0502010563	1-40 STRIATED 1.3/8" TERMINAL	01
25	0521010638	0.5" X 3.3" QUIC HITCH COUPL SHAFT	01
26	0503030518	0.5"X1.0"X 0.1" COMPRESSION SPRING	01
27	0503010838	0.1" X 0.8" SPRING PIN	01

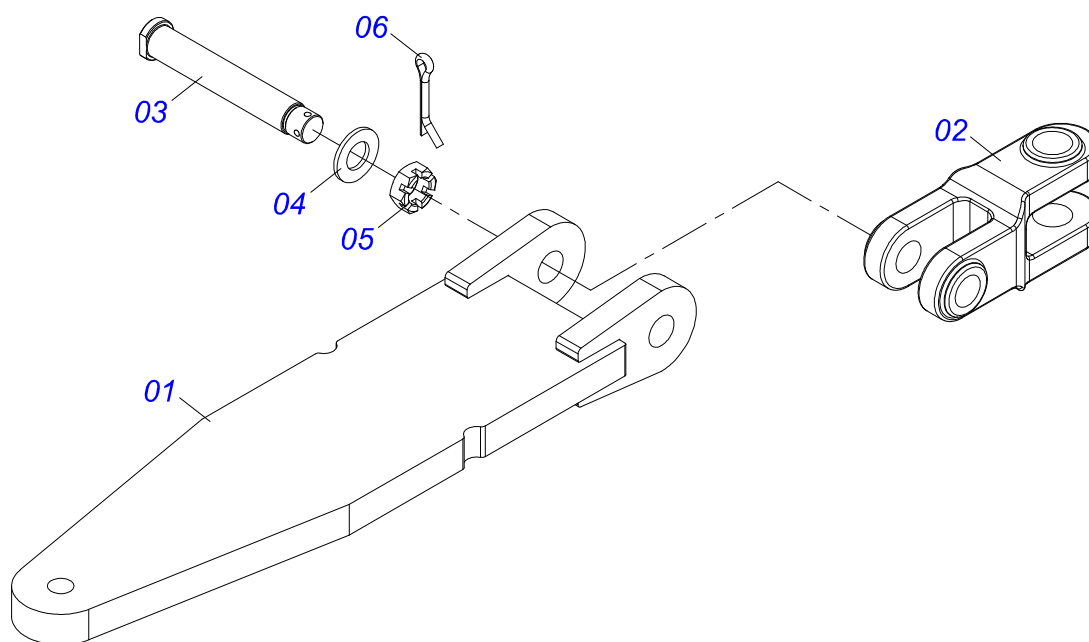
DRIVE SHAFT



Item	Code	Description	QT
01	0501052171	SLEEVE UNIVERSAL JOINT	01
02	0501051718	UNIVERSAL JOINT	01
03	0502010558	4-20 TERMINAL WITH ROLES	02
04	0502011426	2-20 TERMINAL	01
05	0521013799	0.9" X 47" SQUARE SLEEVE	01
06	0503010835	CARDAN CROSSPIECE	02
07	0503010839	03"X 0.6" SPRING PIN	01
08	0501052172	AXLE UNIVERSAL JOINT	01
09	0501051720	UNIVERSAL JOINT	01
10	0502011427	3-20 TERMINAL	01
11	0521013796	0.9" X 47" SQUARE SHAFT	01
12	0503010301	0.3" X 1.8" SPRING PIN	01
13	0501052170	PROT/SLEEVE UNIVERSAL JOINT	01
14	0501052173	PROT/AXLE UNIVERSAL JOINT	01
15	0503012274	PROTECTION ASSY	01
16	0503012275	PROTECTION FOR UNIV JOINT SLEEVE	01
17	0503012276	PROTECTION FOR UNIV JOINT AND AXLE	01
18	0503012023	CHAIN FOR UNIV JOINT PROTECTION	02

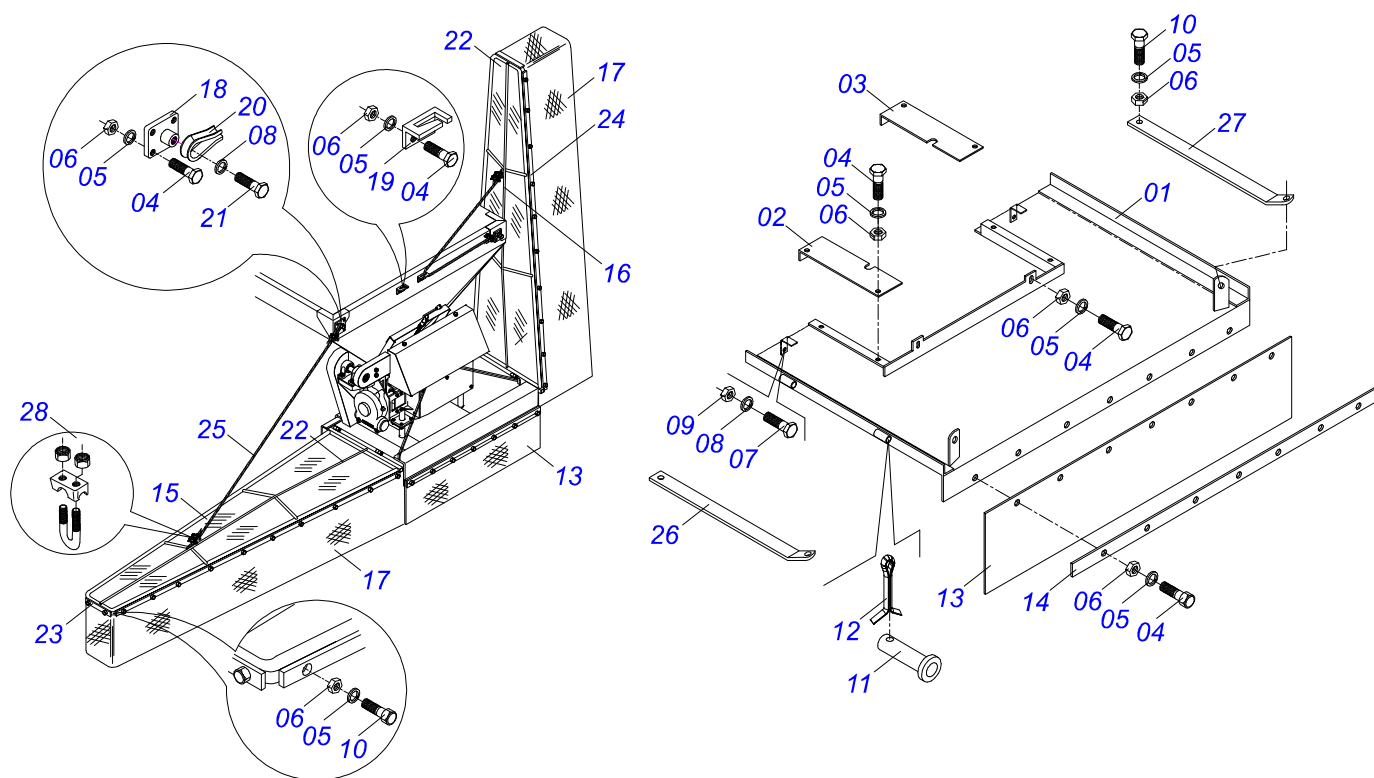


Item	Code	Description	QT
01	0501067692	BELT TENSIONER BODY	01
02	0511015098	FLAT WASHER	02
03	0511017041	TENSIONER ROLD	01
04	0503010302	501019 SEAL RING	01
05	0503010002	1800 GREASE FITTING	01

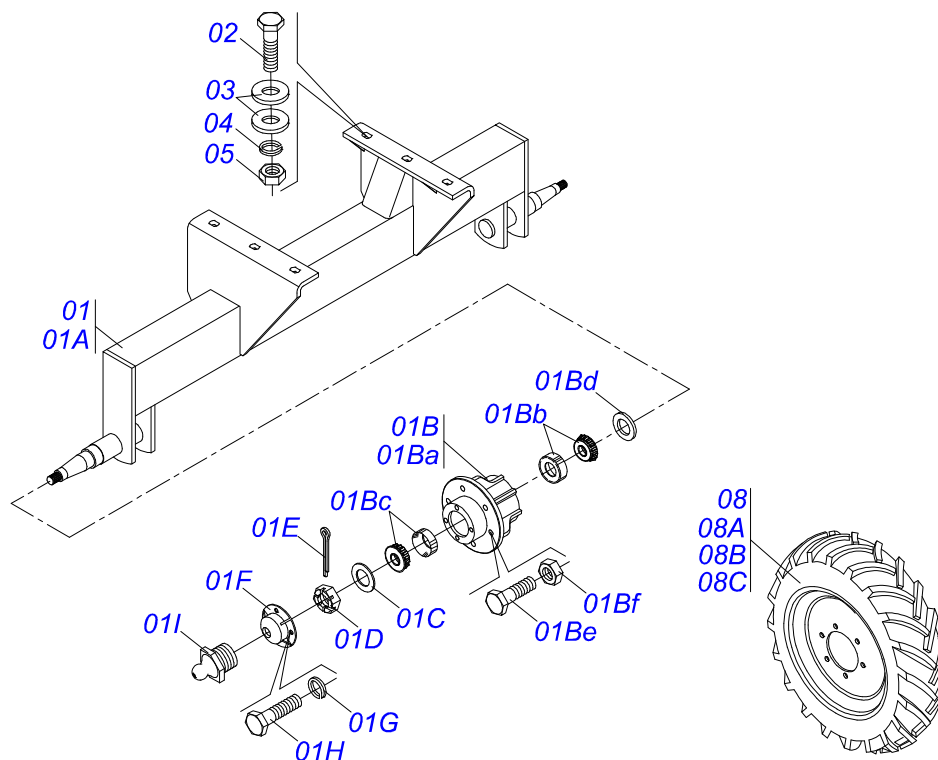


Item	Code	Description	QT
001	0511066154	SEMI COUPLING	01
002	1902040330	TRACTOR HITCH	01
003	0541014957	PIN DRAG DCA2/DCCO 10500	01
004	0501017779	FLAT WASHER	01
005	0503011052	1.1/4" X 0.77" CASTLE NUT	01
006	0503010010	1/4" X 2.1/2" COTTERPIN	01

DAMPER



Item	Code	Description	QT
01	0501067801	CENTRAL FRAME	01
02	0511017104	RIGHT COVER SIDE	01
03	0511017105	LEFT COVER SIDE	01
04	0503010237	3/8" X 1" BOLT	40
05	0503010025	3/8 SPRING WASHER	40
06	0503010026	3/8" NUT	40
07	0501010063	1/2" X 1-1/2" BOLT	02
08	0503010019	1/2" SPRING WASHER	02
09	0503010060	1/2" NUT	02
10	0503010751	C3/8" X 1.1/4" HEX BOLT G.5	04
11	0511013803	PIN	04
12	0503010131	3/16" X 1-1/2" COTTERPIN	04
13	0541010205	REAR PROTECTION	01
14	0511013804	REAR RIBBON FIXER BLANKET	01
15	0501066442	RIGHT WING	01
16	0501066443	LEFT WING	01
17	0541010110	RUBBER BLANKET	02
18	0501066515	STELL SUPPORT CABLO	02
19	0501066514	STELL GUIDE CABLO	02
20	0503011202	BRACKET	04
21	0503010834	1/2 X 1 BOLT	02
22	0511013809	SUPPORT PROTECTION	02
23	0511013806	FIXER CANVAS RIBBON	02
24	0511013793	FIXER SUPPORT CANVAS	04
25	0511013817	STELL CABLE	02
26	0511017465	ATTACHMENT BAR	01
27	0511017466	ATTACHMENT BAR	01
28	0503010165	5/16" CABLO STEEL STAPLE	08

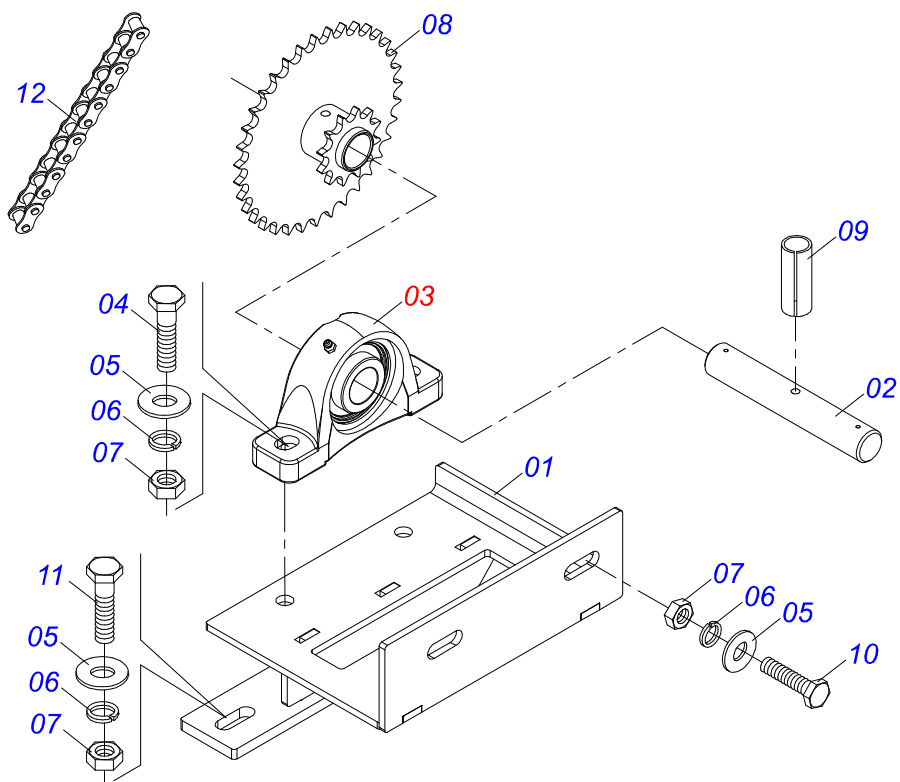


Item	Code	Description	QT
01	0511049830	BELL CRANK FIXER SUPPORT	01
01A	0501069574	CARRYING-WHEEL FIXATION SUPPORT	01
01B	0511051258	CARRYING WHEEL HUB	02
01Ba	0521062555	HUB CARRYING-WHEELS	02
01Bb	0503010006	32210 ROLLER BEARING	02
01Bc	0503010037	30207 ROLLER BEARING	02
01Bd	0503012928	SEAL	02
01Be	0501010127	9/16" X 1-7/8" LUG BOLT	12
01Bf	0503013001	9/16" CONICAL NUT	12
01C	0501016545	FLAT WASHER	02
01D	0503830009	1" X 0.9" CASTLE NUT	02
01E	0503010131	3/16" X 1-1/2" COTTERPIN	02
01F	0502020591	PROTECCION COVER	02
01G	0503011444	SPRING WASHER	08
01H	0503010295	5/16" X 5/8" BOLT	08
01I	0503010002	1800 GREASE FITTING	02
02	0503010899	5/8" X 2-1/4" BOLT	06
03	0501012140	FLAT WASHER	12
04	0503010027	SPRING WASHER	06
05	0503010013	5/8" NUT	06
06	0511051259	KIT SIGNALING	01
06A	0561019598	LANTERN BODY SUPPORT	01
06B	0501011048	3/8" X 2-1/2" BOLT	02
06C	0503010025	3/8 SPRING WASHER	02
06D	0503010026	3/8" NUT	02
06E	0503032811	FLASHLIGHT	02
06F	0503032812	1141 12V LAMP	04
06G	0503032813	67 12V 5W LAMP	02
06H	0503013224	CABLE PP	08
06I	0503015497	CABLE PP	08
06J	0503013151	ELECTRIC CONNECTION	01
06K	0521062556	SUPPORT THE TRIANGLE	01
06L	0503013849	1/4" UNC X 3/4" BOLT	04

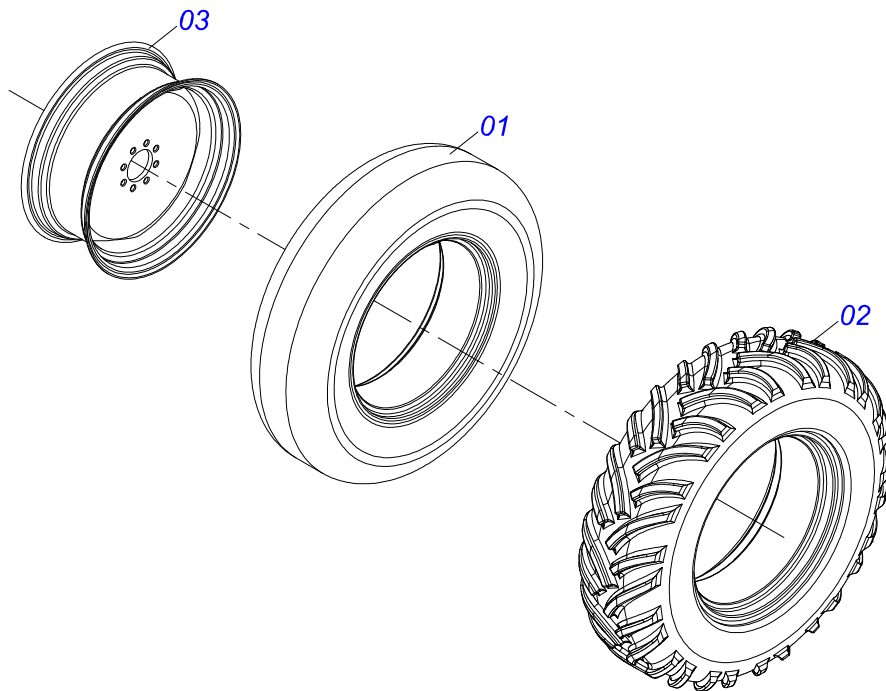
**KIT WITH BRAKE**

0909093413

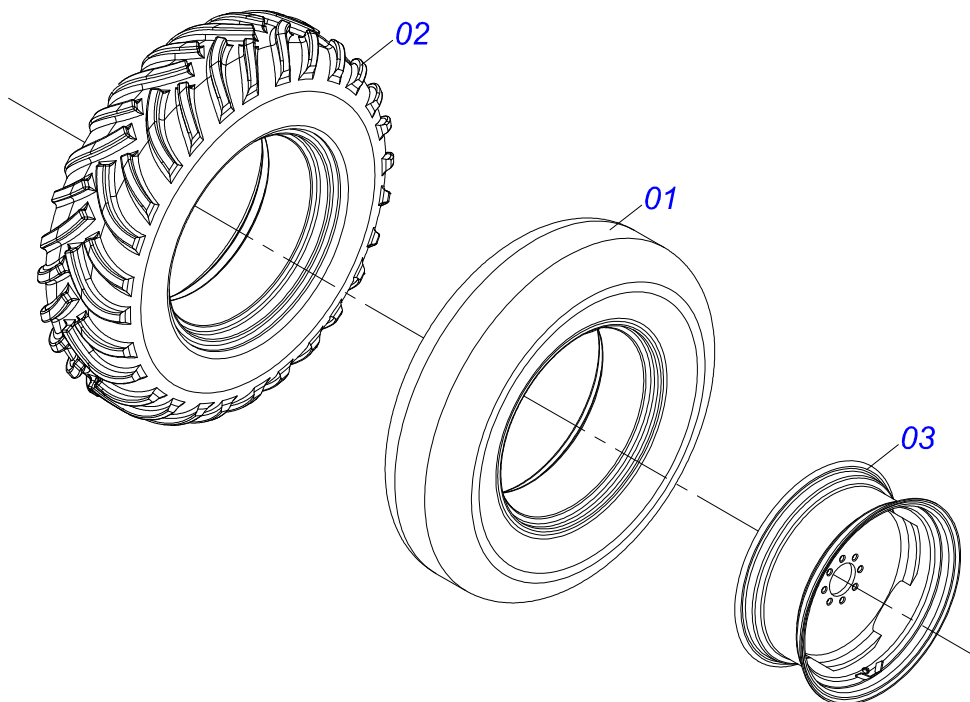
Item	Code	Description	QT
06M	0501010694	FLAT WASHER	08
06N	0503010023	SPRING WASHER	04
06O	0503010014	3/4" NUT	04
07	0511051260	BRAKE ASSY DCA	01
07A	0503061994	RIGHT BRAKE ASSY DCA	01
07B	0503061995	BRAKE ASSEMBLY LEFT DCA	01
07C	0561019596	PLATE LOCK BRAKE	02
07D	0501011179	7/16" X 1" BOLT	08
07E	0503010180	7/16" SPRING WASHER	08
07F	0503013494	NUT 7/16	08
07G	0561019597	BLOCK FLOW DIVIDER	01
07H	0503012776	1/8" NF NIPPLE	04
07I	0541011066	3/4" UNF X 43.5 NIPPLE	01
07J	0501081408	HOSE ASSY 1/4 "	02
07K	0501080780	HOSE ASSY 3/8 " TC-TM	01
07L	0501013115	RING OF 27	02
08	0503061969	CON WHEEL TIRE	02
08A	0511064944	WHEEL CR 30635/2-L15 4181569	02
08B	0503011469	RIB TIRE 12L	02
08C	0503010860	CAMARA AR 11L 15	02



Item	Code	Description	QT
01	0511066460	SUPER REDUCTION	01
02	0531010272	REDUCTION AXLE SUPER	01
03	0511041213	AGRICULTURAL BEARING	02
04	0503011082	C1/2" X 1.3/4" BOLT	04
05	0511017302	FLAT WASHER	08
06	0503010019	1/2" SPRING WASHER	08
07	0503010060	1/2" NUT	08
08	0511062364	REDUCTION GEAR SUPER	01
09	0503011855	0.2" X 1.8" SPRING PIN	01
10	0503010395	1/2" X 1-1/4" BOLT	02
11	0503010920	1/2" X 1.1/2" BOLT	02
12	0503012942	50-1 CHAIN X 46 LINK + REDUCTION	01



Item	Code	Description	QT
001	0503013040	0.5" X 1" VALVE STEM	01
002	0503013039	0.5" X 1" -10 CANVAS TIRE	01
003	0511063924	DCCO 10500 WHEEL	01



Item	Code	Description	QT
001	0503013040	0.5" X 1" VALVE STEM	01
002	0503013039	0.5" X 1" -10 CANVAS TIRE	01
003	0511063924	DCCO 10500 WHEEL	01



MARCHESAN IMPLEMENTOS E MÁQUINAS AGRÍCOLAS TATU S.A.

AV. Marchesan, 1979 - Post office box, 131 - CEP 15994-900 - Matão - SP - Brazil

Phone +55 16.3382-8282

(FAX Parts) + 55 16.3382. 8297 - (Export) + 55 16.3382.1003

e.mail: tatu@marchesan.com.br www.marchesan.com.br

Technical Publications: Elaboration

JOÃO VIRGINIO ROCHA

Technical Publications: Revision

ALESSANDRA PATRICIA KAWAHARA CARRILI

Contact Catálogo:

E-mail = jgaspari@marchesan.com.br

**ORIGINAL PARTS
TATU**

