

# PARTS CATALOGUE



## CHASER BIN

**Code:**

0501091489

**Product:**

DCA2 7500 MC



**Series:**

S-0598

**Revision:**

00

**Date Revision:**

FEVEREIRO/2021



# PRODUCTS

Code	Description
0109090019	DCA2 7500 MC S-0598
0109090122	DCA2 7500 MC C/ DIRECIONADOR S-0598
0109090060	DCA2 7500 MC C/ABAFADOR S-0598
0109090250	DCA2 7500 MC C/ABAFADOR C/RODA S/PN S-0598
0109090111	DCA2 7500 MC C/ABAFADOR S/RED S-598
0109090204	DCA2 7500 MC C/ABAFADOR/SUPER RED S-0598
0109090075	DCA2 7500 MC C/ENGATE ROTULA S-0598
0109090151	DCA2 7500 MC C/FREIO S-0598
0109090136	DCA2 7500 MC C/PNEU 7,50 X 16 S0598
0109090138	DCA2 7500 MC C/RODA S/PNEUS S-0598
0109090033	DCA2 7500 MC EI S-0598
0109090332	DCA2 7500 MC EI C/DIRECIONADOR S-0598
0109090050	DCA2 7500 MC ESTREITO S-0803
0109090063	DCA2 7500 MC ESTREITO C/DIREC S-803
0109090327	DCA2 7500 MC PNEU RA28 S-0598
0109090026	DCA2 7500 S/CAB/RODADO S-0598

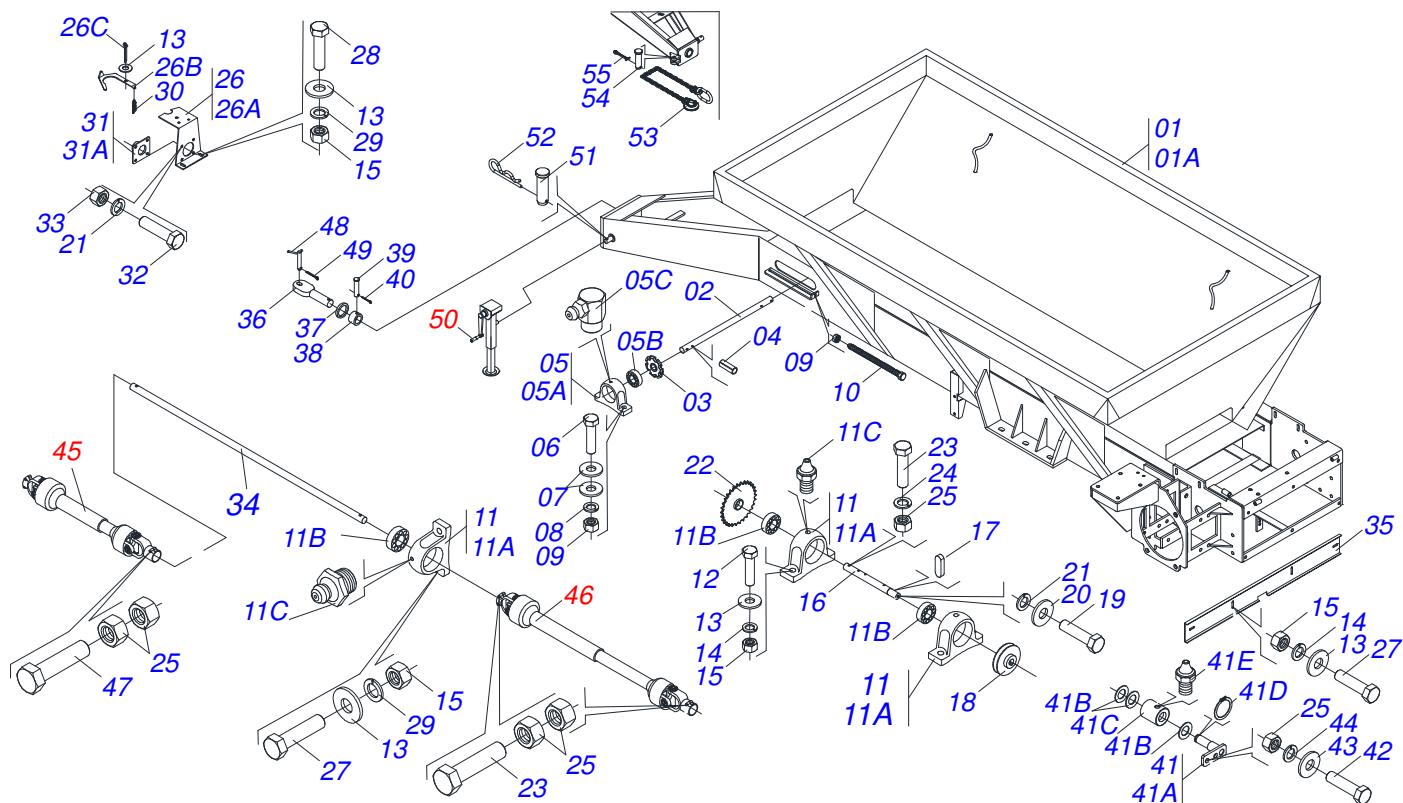
## ATTENTION: IMPORTANT

Marchesan S.A. reserves the right to improve and / or modify the technical features of its products, without obligation to do the same with those products already sold and without prior knowledge of the dealer or the consumer.



# INDEX

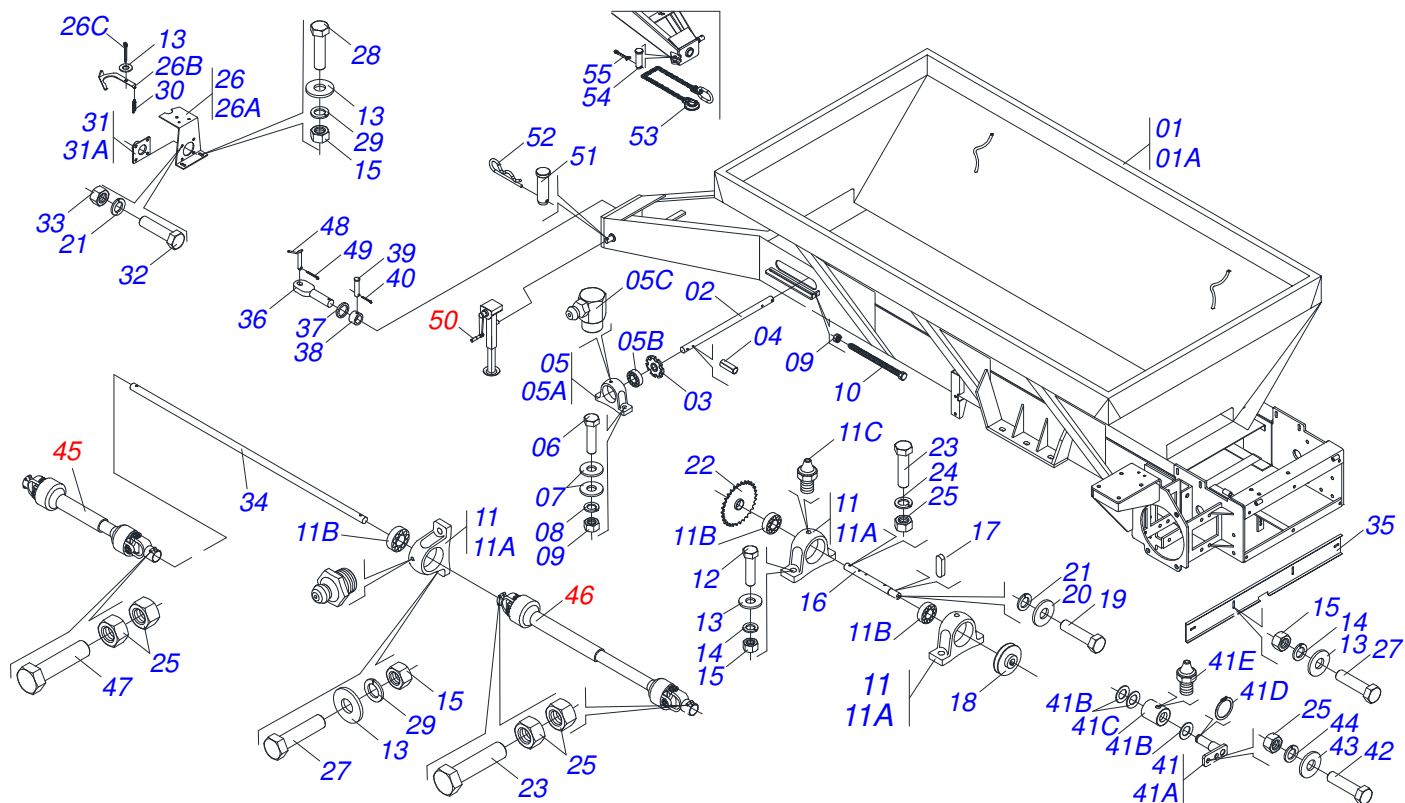
0909093409	FRONT	.....	1
0909093610	FRONT - NARROW	.....	2
0909093408	BACK	.....	3
0909093611	BACK - NARROW	.....	4
0511059305	REAR PROTECTION WITH MINOR PROTECTOR	.....	5
0501048200	DRIVE SHAFT	.....	6
0909093418	WHEELS ASSY	.....	7
0501047985	REDUCER	.....	8
0909090354	BELT TENSIONER	.....	9
0501048241	DRIVE SHAFT	.....	10
0503062157	HEADER JACK	.....	11
0909093413	KIT WITH BRAKE	.....	12
0909093414	SET SÚPER REDUCCIÓN	.....	13
0909090356	CONTROLLER	.....	14
0909090358	DAMPER	.....	15
0909093609	STEEL RUNNING MACHINE - DCA2 7500 MC	.....	16
0501044308	AGRICULTURAL BEARING ASSY	.....	17
0511048905	TRANSPORTATION MAT	.....	18



Item	Code	Description	See page	QT
01	0501051943	BUCKET ASSY		01
01A	0501069575	DCA2 7500 MC S-0598 BUCKET		01
02	0511016482	DRIVEN AXLE		02
03	0502040728	7Z GEAR		02
04	0503010361	SPRING PIN		02
05	0501044308	AGRICULTURAL BEARING ASSY	17	02
05A	0502011050	AGRICULTURAL HOUSING BEARING		04
05B	0503011163	1108/UCR BEARING ASSY		04
05C	0503010004	1890 GREASE FITTING		05
06	0503010899	5/8" X 2-1/4" BOLT		04
07	0501012140	FLAT WASHER		08
08	0503011445	SPRING WASHER		04
09	0503010013	5/8" NUT		06
10	0501067853	ROD STABILIZER		02
11	0511041213	AGRICULTURAL BEARING		03
11A	0502011954	AGRICULTURAL HOUSING BEARING		03
11B	0503011884	BALL BEARING		03
11C	0503010691	1/4" GREASE FITTING		03
12	0503010740	BOLT 1/2 UNC X 2 CS G.5 ZN		06
13	0511017302	FLAT WASHER		11
14	0503011440	SPRING WASHER		06
15	0503010060	1/2" NUT		10
16	0521011063	TRANSMISSION AXLE		01
17	0501010536	KEYWAY SQUARE		01
18	0502011361	REEL 1C 5.5" X 1.1" PULLEY		01
19	0503010355	7/16" X 1" BOLT		01
20	0511014052	FLAT WASHER		01
21	0503011446	SPRING WASHER		09
22	0501069020	35Z GEAR		01
23	0503011268	3/8" X 2-1/2" BOLT		03
24	0503011443	3/8" SPRING WASHER		01



Item	Code	Description	See page	QT
25	0503010026	3/8" NUT		09
26	0501056885	CARDAN LEVER SUPPORT		01
26A	0501066588	CARDAN LARGE SUPPORT		01
26B	0511014066	CARDAN SMALLE SUPPORT		01
26C	0503010257	1/8" X 1" COTTERPIN		01
27	0503010920	1/2" X 1.1/2" BOLT		04
28	0503011082	C1/2" X 1.3/4" SCREW		02
29	0503010019	1/2" SPRING WASHER		04
30	0503030198	0.6" X 2.4" X 0.1" EXTENSION SPRING		01
31	0501044306	BATH BEARING		01
31A	0503011146	HOUSING BEARING		01
32	0503011102	BOLT 7/16 UNC X 1.1/4 C S G.5 ZN		04
33	0503010244	7/16" NUT		04
34	0521012415	2220 TRANSMITTER AXLE		01
35	0501019838	BAMPER		01
36	0501069632	TRACTOR HITCH		01
36.	0511064863	TRACTOR COUPLING WITH LABEL		01
37	0501015875	FLAT WASHER		01
38	0521010681	BUSHING COUPLING BODY		01
39	0521010639	COUPLING SHAFT		01
40	0503010571	1/4" X 1.1/2 COTTERPIN		01
41	0501050829	CHAIN TENSIONER		01
41A	0501067692	BELT TENSIONER BODY		01
41B	0511015098	FLAT WASHER		03
41C	0511017041	TENSIONER ROLD		01
41D	0503010302	501019 SEAL RING		01
41E	0503010002	1800 GREASE FITTING		01
42	0503010237	3/8" X 1" BOLT		22
43	0501010984	FLAT WASHER		20
44	0503010025	3/8" SPRING WASHER		49
45	0501048241	DRIVE SHAFT	10	01
46	0501048200	DRIVE SHAFT	6	01
47	0503010765	3/8" X 3" BOLT		01
48	0501069080	COUPLING SHAFT		01
49	0503010534	3/8 X 2-1/2 COTTERPIN		01
50	0511041259	DRAWBAR JACK ASSY		01
51	0521010549	COUPLING SHAFT		01
52	0503030168	HAIR PIN		01
53	0503013150	1300 X 3/8 CHAIN		01
54	0581011220	COUPLING SHAFT		01
55	0503010131	3/16" X 1-1/2" COTTERPIN		01

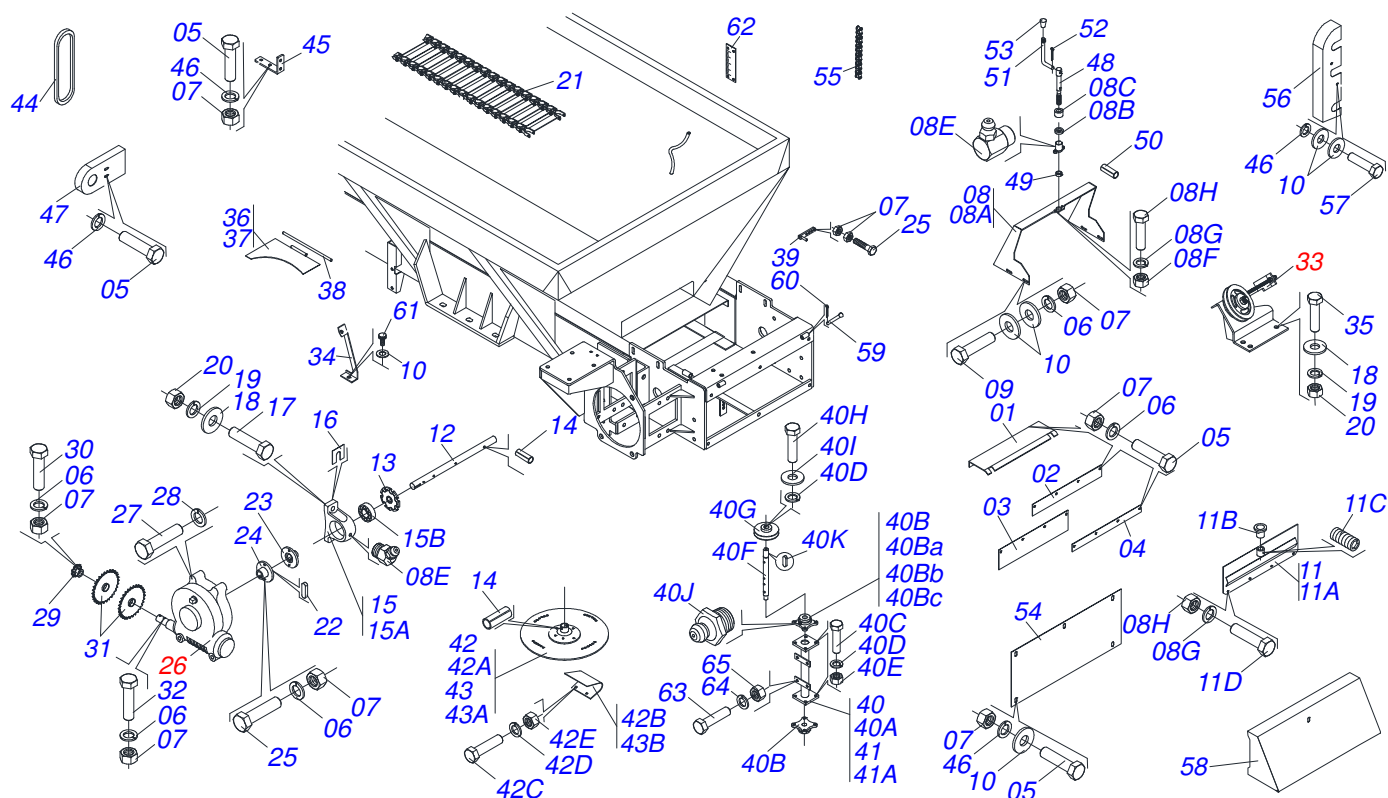


Item	Code	Description	See page	QT
01	0501054893	BUCKET SEMI MOUNTED		01
01A	0511065020	FRAME WITH NARROW BUCKET		01
02	0511016482	DRIVEN AXLE		02
03	0502040728	7Z GEAR		02
04	0503010361	SPRING PIN		02
05	0501044308	AGRICULTURAL BEARING ASSY	17	02
05A	0502011050	AGRICULTURAL HOUSING BEARING		04
05B	0503011163	1108/UCR BEARING ASSY		04
05C	0503010004	1890 GREASE FITTING		05
06	0503010899	5/8" X 2-1/4" BOLT		04
07	0501012140	FLAT WASHER		08
08	0503011445	SPRING WASHER		04
09	0503010013	5/8" NUT		06
10	0501067853	ROD STABILIZER		02
11	0511041213	AGRICULTURAL BEARING		03
11A	0502011954	AGRICULTURAL HOUSING BEARING		03
11B	0503011884	BALL BEARING		03
11C	0503010691	1/4" GREASE FITTING		03
12	0503010740	BOLT 1/2 UNC X 2 CS G.5 ZN		06
13	0511017302	FLAT WASHER		11
14	0503011440	SPRING WASHER		06
15	0503010060	1/2" NUT		10
16	0521011063	TRANSMISSION AXLE		01
17	0501010536	KEYWAY SQUARE		01
18	0502011361	REEL 1C 5.5" X 1.1" PULLEY		01
19	0503010355	7/16" X 1" BOLT		01
20	0511014052	FLAT WASHER		01
21	0503011446	SPRING WASHER		09
22	0501069020	35Z GEAR		01
23	0503011268	3/8" X 2-1/2" BOLT		03
24	0503011443	3/8" SPRING WASHER		01



DCA2 7500 MC  
FRONT - NARROW

Item	Code	Description	See page	QT
25	0503010026	3/8" NUT		09
26	0501056885	CARDAN LEVER SUPPORT		01
26A	0501066588	CARDAN LARGE SUPPORT		01
26B	0511014066	CARDAN SMALLE SUPPORT		01
26C	0503010257	1/8" X 1" COTTERPIN		01
27	0503010920	1/2" X 1.1/2" BOLT		04
28	0503011082	C1/2" X 1.3/4" SCREW		02
29	0503010019	1/2" SPRING WASHER		04
30	0503030198	0.6" X 2.4" X 0.1" EXTENSION SPRING		01
31	0501044306	BATH BEARING		01
31A	0503011146	HOUSING BEARING		01
32	0503011102	BOLT 7/16 UNC X 1.1/4 C S G.5 ZN		04
33	0503010244	7/16" NUT		04
34	0521012415	2220 TRANSMITTER AXLE		01
35	0501019838	BAMPER		01
36	0501069632	TRACTOR HITCH		01
36.	0511064863	TRACTOR COUPLING WITH LABEL		01
37	0501015875	FLAT WASHER		01
38	0521010681	BUSHING COUPLING BODY		01
39	0521010639	COUPLING SHAFT		01
40	0503010571	1/4" X 1.1/2 COTTERPIN		01
41	0501050829	CHAIN TENSIONER		01
41A	0501067692	BELT TENSIONER BODY		01
41B	0511015098	FLAT WASHER		03
41C	0511017041	TENSIONER ROLD		01
41D	0503010302	501019 SEAL RING		01
41E	0503010002	1800 GREASE FITTING		01
42	0503010237	3/8" X 1" BOLT		22
43	0501010984	FLAT WASHER		20
44	0503010025	3/8" SPRING WASHER		49
45	0501048241	DRIVE SHAFT	10	01
46	0501048200	DRIVE SHAFT	6	01
47	0503010765	3/8" X 3" BOLT		01
48	0501069080	COUPLING SHAFT		01
49	0503010534	3/8 X 2-1/2 COTTERPIN		01
50	0503062157	HEADER JACK	11	01
51	0521010549	COUPLING SHAFT		01
52	0503030168	HAIR PIN		01
53	0503013150	1300 X 3/8 CHAIN		01
54	0581011220	COUPLING SHAFT		01
55	0503010131	3/16" X 1-1/2" COTTERPIN		01



Item	Code	Description	See page	QT
01	0501067379	MAT REAR PROTECTION		01
02	0511014562	PROTECTION SMALLER		02
03	0511011866	PROTECTION LARGER		01
04	0511016575	RUBBER COVER FIXER		03
05	0503010237	3/8" X 1" BOLT		20
06	0503011443	3/8" SPRING WASHER		35
07	0503010026	3/8" NUT		58
08	0501054846	SLUICE VALVE SUPPORT		01
08A	0501069841	SLUICE VALVE SUPPORT		01
08B	0502010581	ROD BEARING		01
08C	0521010457	SLEEVE		01
08D	0521010458	SLEEVE		01
08E	0503010004	1890 GREASE FITTING		03
08F	0503010358	5/16" X 5/8" BOLT		02
08G	0503011444	SPRING WASHER		06
08H	0503010337	5/16" NUT		06
09	0503010751	C3/8" X 1.1/4" HEX BOLT G.5		04
10	0501010984	FLAT WASHER		15
11	0501054847	SLUICE VALVE COVER ASSY		01
11A	0501069181	SLUICE VALVE COVER		01
11B	0501019831	ADJUSTING NUT		01
11C	0503011148	3/8" X 1/2" BOLT		01
11D	0503010546	5/16" X 7/8" BOLT		04
12	0511016481	MOTOR SHAFT		01
13	0502040728	7Z GEAR		04
14	0503010361	SPRING PIN		06
15	0501044308	AGRICULTURAL BEARING ASSY	17	02
15A	0502011050	AGRICULTURAL HOUSING BEARING		02
15B	0503011163	1108/UCR BEARING ASSY		02
16	0501010794	HIDR CHOCK REGULATOR		04
17	0503010740	BOLT 1/2 UNC X 2 CS G.5 ZN		04

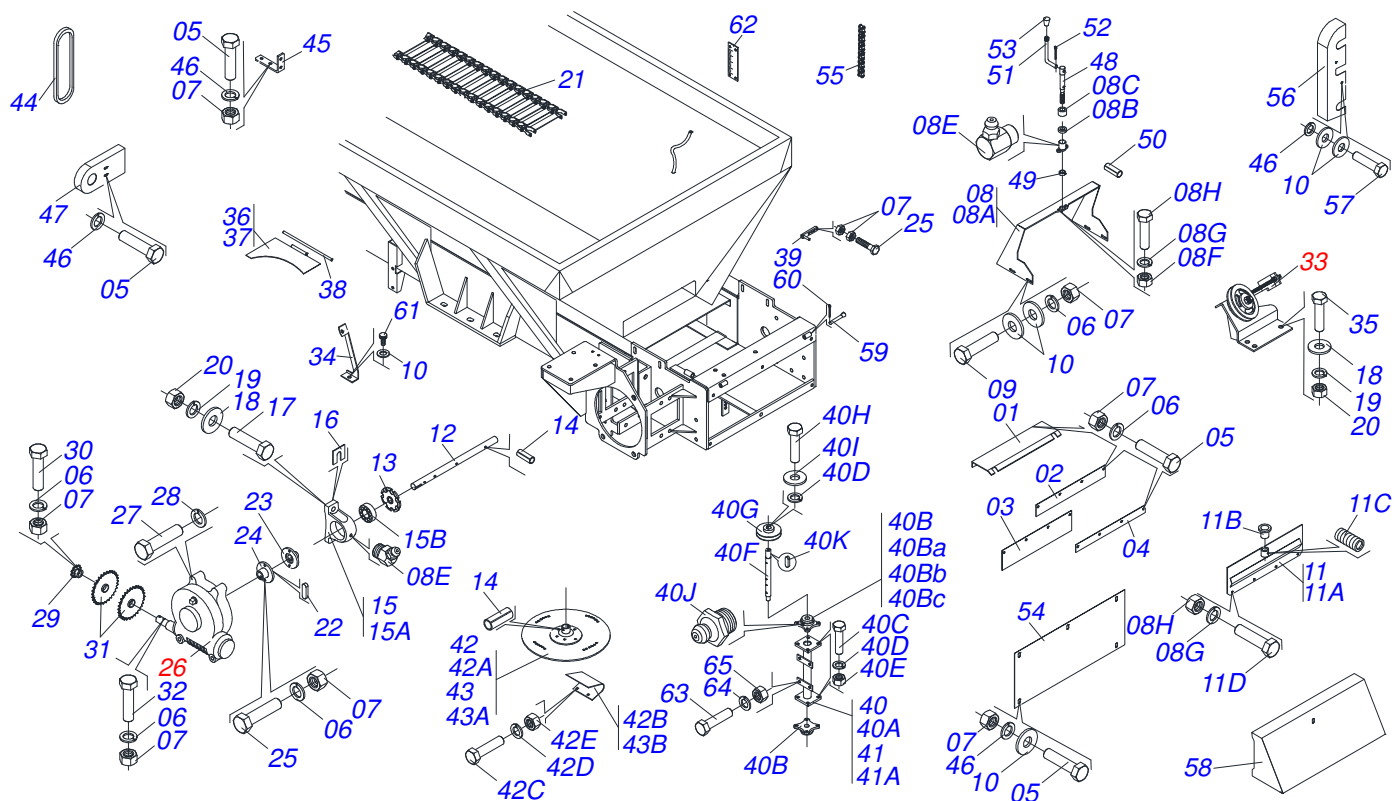




Item	Code	Description	See page	QT
18	0511017302	FLAT WASHER		11
19	0503011440	SPRING WASHER		11
20	0503010060	1/2" NUT		11
21	0511067382	DRIVE THE FERTILIZER TRANSPORT		01
22	0501010540	KEYWAY SQUARE		02
23	0511016540	MAT COUPLING FLANGE		01
24	0511016541	REDUCTION COUPLING FLANGE		01
25	0503010849	3/8" X 1-1/2" BOLT		03
26	0501047985	REDUCER	8	01
27	0503011167	M16 X 2 X 30 BOLT		04
28	0503011445	SPRING WASHER		04
29	0501069017	12Z GEAR		01
30	0503011268	3/8" X 2-1/2" BOLT		06
31	0501069020	35Z GEAR		02
32	0503011268	3/8" X 2-1/2" BOLT		01
33	0501046802	BELT TENSIONER ASSY		01
34	0511060909	PROTECTION REAR SUPPORT FIXER		01
35	0503010920	1/2" X 1.1/2" BOLT		03
36	0501067203	RIGHT FLOW DIVIDING		01
37	0501067361	LEFT FLOW DIVIDING		01
38	0511016530	TENSIONER OPEN		01
39	0501067368	DIVISOR REGULATOR OPEN		01
40	0501051782	RIGHT BEARING SUPPORT DISC		01
40A	0501067387	DISTRIBUTOR RIGHT SUPPORT DISC		01
40B	0501048000	AGRICULTURAL BEARING		04
40Ba	0502011442	AGRICULTURAL HOUSING BEARING		04
40Bb	0503010276	6206 BALL BEARING		04
40Bc	0503011865	SEAL		04
40C	0503011102	BOLT 7/16 UNC X 1.1/4 C S G.5 ZN		24
40D	0503011446	SPRING WASHER		24
40E	0503010244	7/16" NUT		24
40F	0511016489	DISTRIBUTOR AXLE CONDUCTOR DISC		02
40G	0502011361	REEL 1C 5.5" X 1.1" PULLEY		02
40H	0503010355	7/16" X 1" BOLT		01
40I	0511014052	FLAT WASHER		03
40J	0503010002	1800 GREASE FITTING		11
40K	0501010536	KEYWAY SQUARE		01
41	0501051783	LEFT BEARING SUPPORT DISC		01
41A	0501067388	DISTRIBUTOR LEFT SUPPORT DISC		01
42	0501051972	DISTRIBUTOR RIGHT DISC ASSY		01
42A	0501069605	DISTRIBUTOR DISC		01
42B	0521018637	RH FLIP		04
42C	0503013029	3/8" X 3/4" BOLT		16
43	0501051973	DISTRIBUTOR LEFT DISC ASSY		01
43A	0521018638	LH FLIP		04
44	0503010154	C-128 BELT		01
45	0501069225	BELT PROTECTION FIXER		01
46	0503010025	3/8" SPRING WASHER		14
47	0521011062	BELT PROTECTION SIDE		01
48	0561014861	REGULATOR		01
49	0511013015	SLEEVE		01
50	0503010561	SPRING PIN		01
51	0521011107	CRANK BODY		01
52	0503010257	1/8" X 1" COTTERPIN		01
53	0503030878	LEVER CRANK		01
54	0501019460	REAR PROTECTION		01
55	0503013003	50-1 CHAIN X 79 LINK + REDUCTION + MENDING		01
56	0501069179	CARRY-WHEEL CHAIN PROTECTION CAP		01
57	0503010237	3/8" X 1" BOLT		02



Item	Code	Description	See page	QT
58	0501069840	REAR COVER PROTECTION		01
59	0501017574	0.3" X 2.7" AXLE		02
60	0503010140	1/8" X 3/4" COTTERPIN		02
61	0503010386	CABLE		02
62	0503030751	REGULATOR PLATE		01
63	0503010920	1/2" X 1.1/2" BOLT		04
64	0503010019	1/2" SPRING WASHER		04
65	0503010060	1/2" NUT		04



Item	Code	Description	See page	QT
01	0501067379	MAT REAR PROTECTION		01
02	0511059305	REAR PROTECTION WITH MINOR PROTECTOR	5	02
03	0511011866	PROTECTION LARGER		01
04	0511016575	RUBBER COVER FIXER		03
05	0503010237	3/8" X 1" BOLT		20
06	0503011443	3/8" SPRING WASHER		35
07	0503010026	3/8" NUT		58
08	0501054846	SLUICE VALVE SUPPORT		01
08A	0501069841	SLUICE VALVE SUPPORT		01
08B	0502010581	ROD BEARING		01
08C	0521010457	SLEEVE		01
08D	0521010458	SLEEVE		01
08E	0503010004	1890 GREASE FITTING		03
08F	0503010358	5/16" X 5/8" BOLT		02
08G	0503011444	SPRING WASHER		06
08H	0503010337	5/16" NUT		06
09	0503010751	C3/8" X 1.1/4" HEX BOLT G.5		04
10	0501010984	FLAT WASHER		15
11	0501054847	SLUICE VALVE COVER ASSY		01
11A	0501069181	SLUICE VALVE COVER		01
11B	0501019831	ADJUSTING NUT		01
11C	0503011148	3/8" X 1/2" BOLT		01
11D	0503010546	5/16" X 7/8" BOLT		04
12	0511016481	MOTOR SHAFT		01
13	0502040728	7Z GEAR		04
14	0503010361	SPRING PIN		06
15	0501044308	AGRICULTURAL BEARING ASSY	17	02
15A	0502011050	AGRICULTURAL HOUSING BEARING		02
15B	0503011163	1108/UCR BEARING ASSY		02
16	0501010794	HIDR CHOCK REGULATOR		04
17	0503010740	BOLT 1/2 UNC X 2 CS G.5 ZN		04



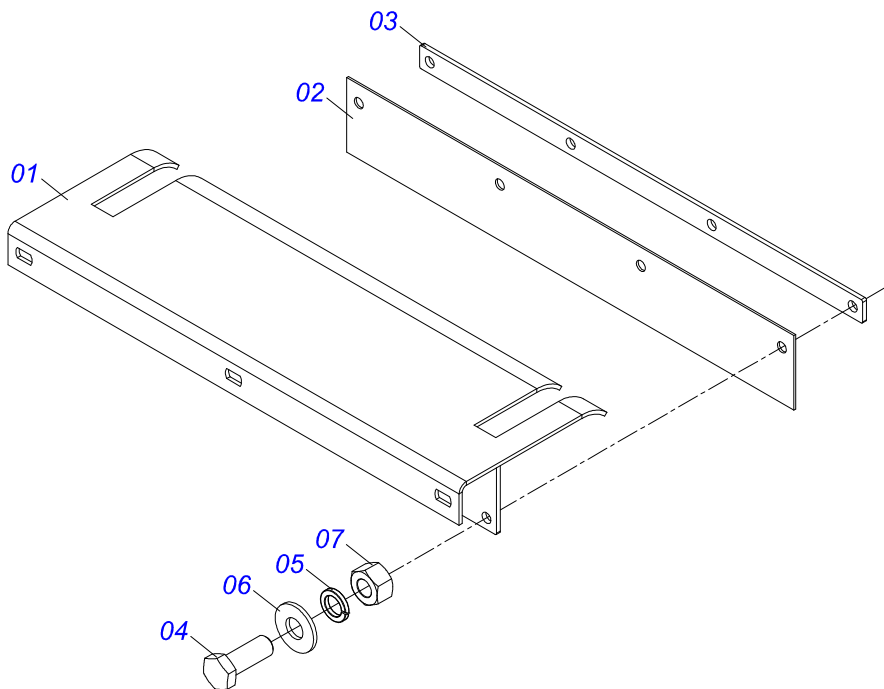
DCA2 7500 MC  
BACK - NARROW

Item	Code	Description	See page	QT
18	0511017302	FLAT WASHER		11
19	0503011440	SPRING WASHER		11
20	0503010060	1/2" NUT		11
21	0501067378	DRIVE THE FERTILIZER TRANSPORT		01
22	0501010540	KEYWAY SQUARE		02
23	0511016540	MAT COUPLING FLANGE		01
24	0511016541	REDUCTION COUPLING FLANGE		01
25	0503010849	3/8" X 1-1/2" BOLT		03
26	0501047985	REDUCER	8	01
27	0503011167	M16 X 2 X 30 BOLT		04
28	0503011445	SPRING WASHER		04
29	0501069017	12Z GEAR		01
30	0503011268	3/8" X 2-1/2" BOLT		06
31	0501069020	35Z GEAR		02
32	0503011268	3/8" X 2-1/2" BOLT		01
33	0501046802	BELT TENSIONER ASSY		01
34	0511060909	PROTECTION REAR SUPPORT FIXER		01
35	0503010920	1/2" X 1.1/2" BOLT		03
36	0501067203	RIGHT FLOW DIVIDING		01
37	0501067361	LEFT FLOW DIVIDING		01
38	0511016530	TENSIONER OPEN		01
39	0501067368	DIVISOR REGULATOR OPEN		01
40	0501051782	RIGHT BEARING SUPPORT DISC		01
40A	0501067387	DISTRIBUTOR RIGHT SUPPORT DISC		01
40B	0501048000	AGRICULTURAL BEARING		04
40Ba	0502011442	AGRICULTURAL HOUSING BEARING		04
40Bb	0503010276	6206 BALL BEARING		04
40Bc	0503011865	SEAL		04
40C	0503011102	BOLT 7/16 UNC X 1.1/4 C S G.5 ZN		24
40D	0503011446	SPRING WASHER		24
40E	0503010244	7/16" NUT		24
40F	0511016489	DISTRIBUTOR AXLE CONDUCTOR DISC		02
40G	0502011361	REEL 1C 5.5" X 1.1" PULLEY		02
40H	0503010355	7/16" X 1" BOLT		01
40I	0511014052	FLAT WASHER		03
40J	0503010002	1800 GREASE FITTING		11
40K	0501010536	KEYWAY SQUARE		01
41	0501051783	LEFT BEARING SUPPORT DISC		01
41A	0501067388	DISTRIBUTOR LEFT SUPPORT DISC		01
42	0501051972	DISTRIBUTOR RIGHT DISC ASSY		01
42A	0501069605	DISTRIBUTOR DISC		01
42B	0521018638	LH FLIP		04
42C	0503013029	3/8" X 3/4" BOLT		08
42D	0503011443	3/8" SPRING WASHER		08
42E	0503010026	3/8" NUT		08
43	0501051973	DISTRIBUTOR LEFT DISC ASSY		01
43A	0501069605	DISTRIBUTOR DISC		01
43B	0521018637	RH FLIP		04
44	0503010154	C-128 BELT		01
45	0501069225	BELT PROTECTION FIXER		01
46	0503010025	3/8" SPRING WASHER		14
47	0521011062	BELT PROTECTION SIDE		01
48	0561014861	REGULATOR		01
49	0511013015	SLEEVE		01
50	0503010561	SPRING PIN		01
51	0521011107	CRANK BODY		01
52	0503010257	1/8" X 1" COTTERPIN		01
53	0503030878	LEVER CRANK		01
54	0501019460	REAR PROTECTION		01

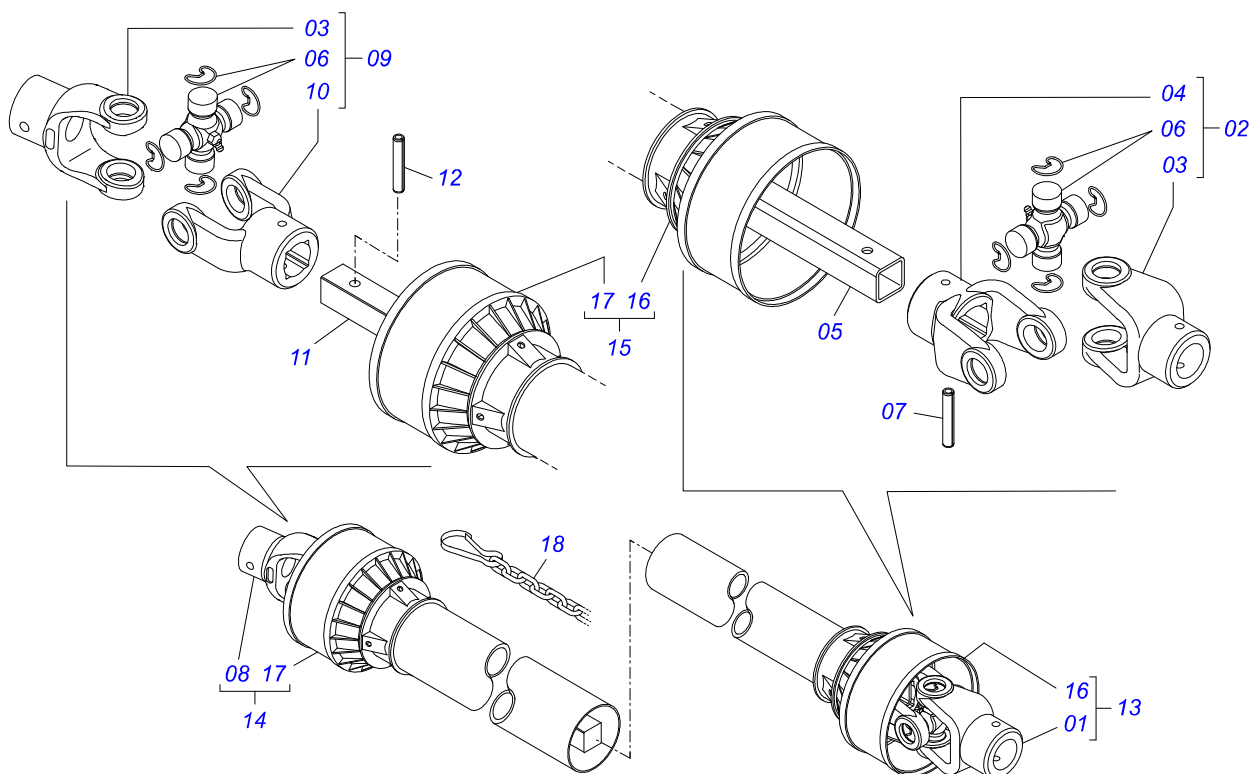


**DCA2 7500 MC**  
**BACK - NARROW**

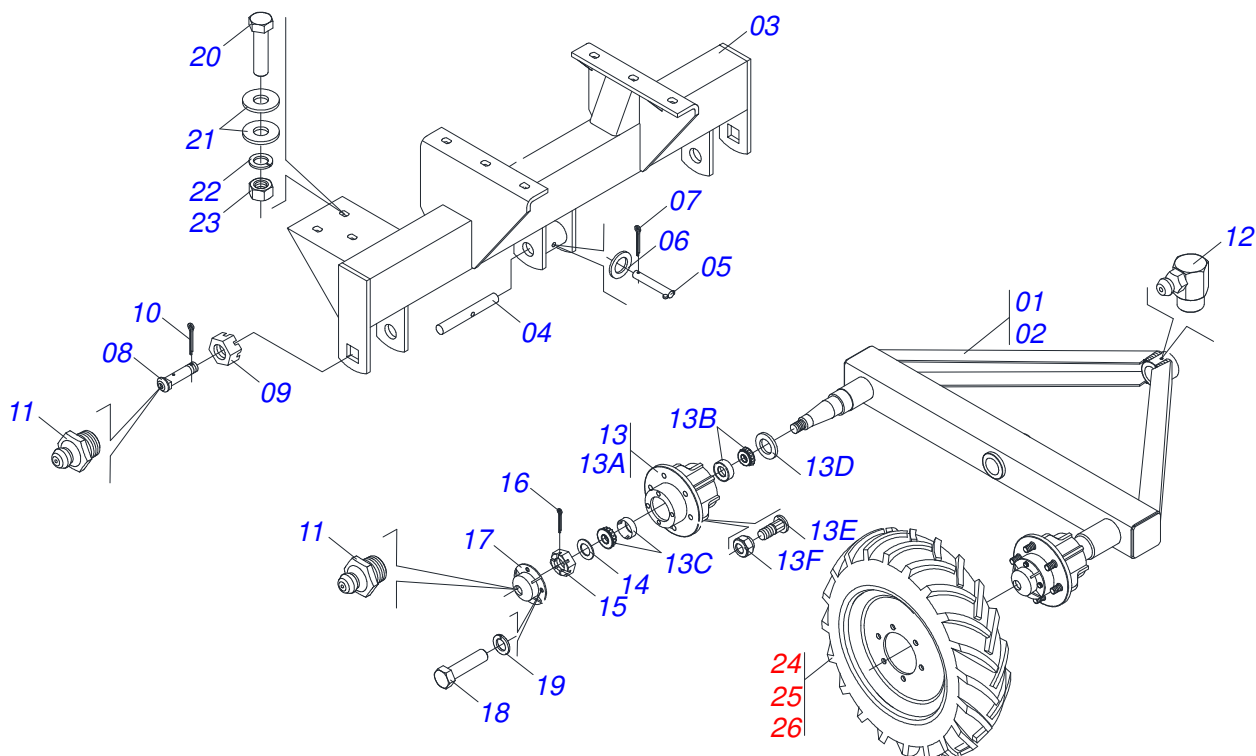
Item	Code	Description	See page	QT
55	0503013003	50-1 CHAIN X 79 LINK + REDUCTION + MENDING		01
56	0501069179	CARRY-WHEEL CHAIN PROTECTION CAP		01
57	0503010237	3/8" X 1" BOLT		02
58	0501069840	REAR COVER PROTECTION		01
59	0501017574	0.3" X 2.7" AXLE		02
60	0503010140	1/8" X 3/4" COTTERPIN		02
61	0503010386	CABLE		02
62	0503030751	REGULATOR PLATE		01
63	0503010920	1/2" X 1.1/2" BOLT		04
64	0503010019	1/2" SPRING WASHER		04
65	0503010060	1/2" NUT		04



Item	Code	Description	See page	QT
01	0501067379	MAT REAR PROTECTION		01
02	0511014562	PROTECTION SMALLER		01
03	0511016575	RUBBER COVER FIXER		01
04	0503010237	3/8" X 1" BOLT		04
05	0503011443	3/8" SPRING WASHER		04
06	0501010984	FLAT WASHER		04
07	0503010026	3/8" NUT		04



Item	Code	Description	See page	QT
01	0501052171	SLEEVE UNIVERSAL JOINT		01
02	0501051718	UNIVERSAL JOINT		01
03	0502010558	4-20 TERMINAL WITH ROLES		02
04	0502011426	2-20 TERMINAL		01
05	0521013799	0.9" X 47" SQUARE SLEEVE		01
06	0503010835	CARDAN CROSSPIECE		02
07	0503010839	03"X 0.6" SPRING PIN		01
08	0501052172	AXLE UNIVERSAL JOINT		01
09	0501051720	UNIVERSAL JOINT		01
10	0502011427	3-20 TERMINAL		01
11	0521013796	0.9" X 47" SQUARE SHAFT		01
12	0503010301	0.3" X 1.8" SPRING PIN		01
13	0501052170	PROT/SLEEVE UNIVERSAL JOINT		01
14	0501052173	PROT/AXLE UNIVERSAL JOINT		01
15	0503012274	PROTECTION ASSY		01
16	0503012275	PROTECTION FOR UNIV JOINT SLEEVE		01
17	0503012276	PROTECTION FOR UNIV JOINT AND AXLE		01
18	0503012023	CHAIN FOR PROTECTION		02



Item	Code	Description	See page	QT
00	0501048785	BELL CRANK FIXATION SUPPORT ASSY		01
01	0501069577	RIGHT ROCKER ARM		01
02	0501069183	LEFT ROCKER ARM		01
03	0501069579	BELL CRANK FIXATION SUPPORT		01
04	0521012427	1.5" X 11.4" COUPLING SHAFT		01
05	0521010641	COUPLING SHAFT		01
06	0511017302	FLAT WASHER		02
07	0503010257	1/8" X 1" COTTERPIN		01
08	0521012431	1-1/2" 7.6 PIVOT SHAFT		02
09	0501011301	1.1/2 UNC 6FPP 2.5/16 NUT		02
10	0503010010	1/4" X 2.1/2" COTTERPIN		02
11	0503010002	1800 GREASE FITTING		06
12	0503010004	1890 GREASE FITTING		02
13	0501051142	CARRYING WHEEL HUB		04
13A	0502011121	CARRYING WHEEL HUB		04
13B	0503010006	32210 ROLLER BEARING		04
13C	0503010037	30207 ROLLER BEARING		04
13D	0503012928	SEAL		01
13E	0501010127	9/16" X 1-7/8" LUG BOLT		24
13F	0503010035	9/16" CONIC NUT		24
14	0511017480	FLAT WASHER		04
15	0503030009	1" CASTLE NUT		04
16	0503010018	5/32 X 1-1/2 COTTERPIN		04
17	0502020591	PROTECCION COVER		04
18	0503010178	5/16" X 7/8" BOLT		16
19	0503011444	SPRING WASHER		16
20	0503010899	5/8" X 2-1/4" BOLT		06
21	0501012140	FLAT WASHER		12
22	0503010027	5/8" SPRING WASHER		06
23	0503010013	5/8" NUT		06
24	0503060181	WHEEL AND TIRE		04

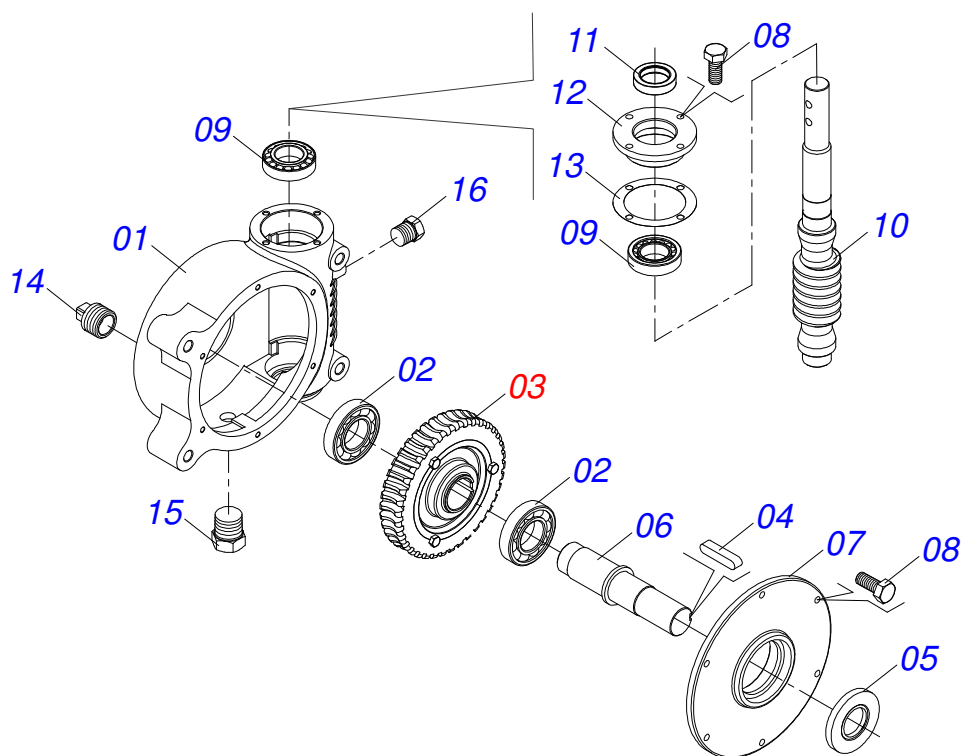




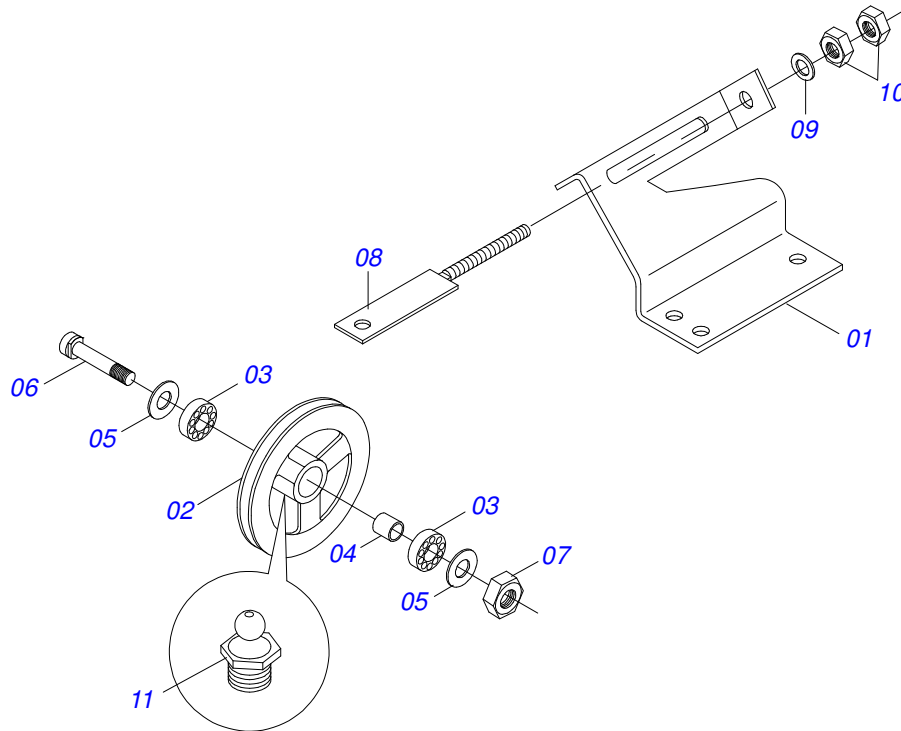
**DCA2 7500 MC**  
**WHEELS ASSY**

Page 7  
0909093418

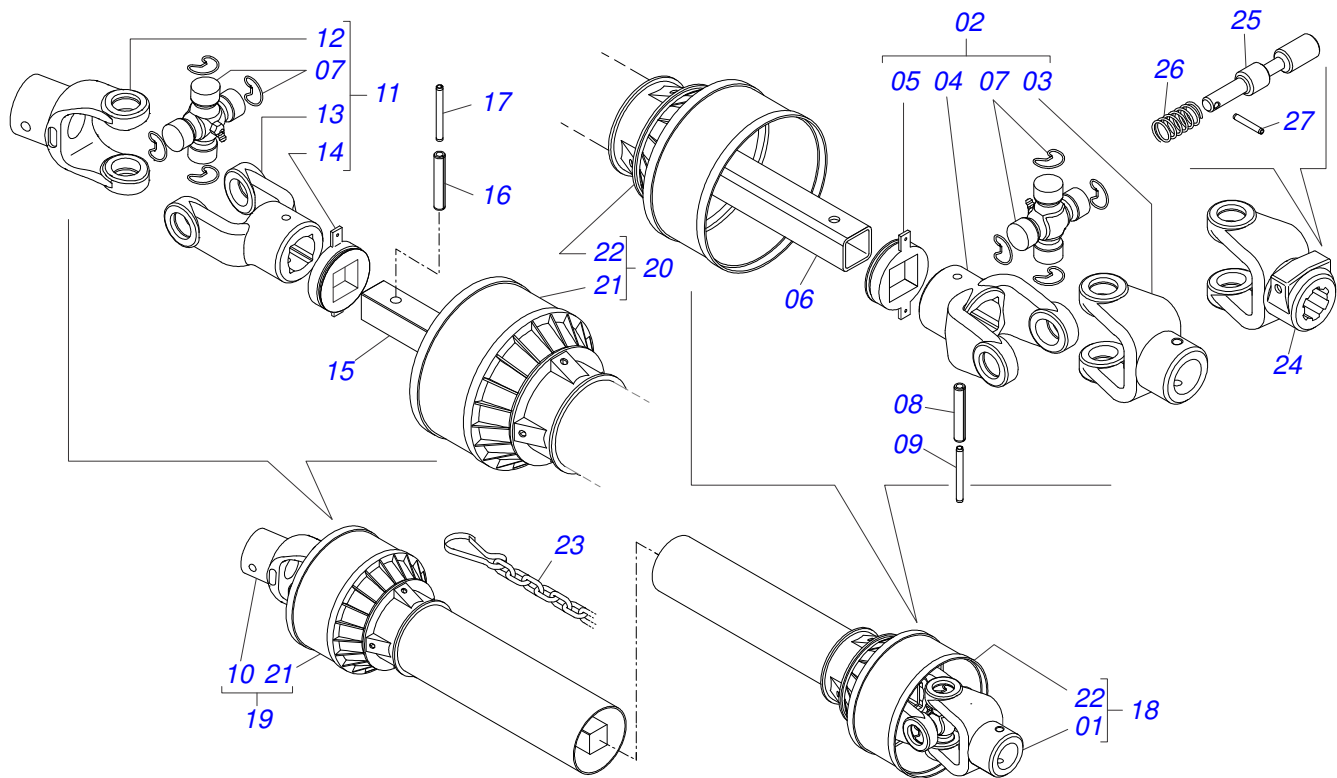
<b>Item</b>	<b>Code</b>	<b>Description</b>	<b>See page</b>	<b>QT</b>
25	0503061969	CON WHEEL TIRE		04
26	0511059647	WHEEL AND TIRE ASSY		04



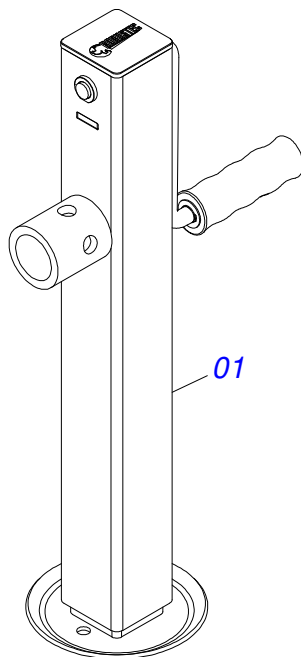
Item	Code	Description	See page	QT
01	0502011456	REDUCTION BOX		01
02	0503011095	6208 BALL BEARING		02
03	0501051774	38Z CROWN		01
04	0503011304	1/2" X 2.4" KEYWAY SQUARE		01
05	0503010818	02675-BRG SEAL		01
06	0521010996	AXLE		01
07	0502020556	LARGER COVER		01
08	0503010240	5/16" X 3/4" BOLT		10
09	0503010016	BEARING LM		02
10	0521010997	SCREW THEAD		01
11	0503011171	00912-BRG SEAL		01
12	0502011457	SMALLER COVER		01
13	0503030981	102 X 75,5 X 0,10 JOINT		01
14	0521011023	PLUG		01
15	0503031604	1/2" BSP PLUG		01
16	0503010856	OIL PLUG		01



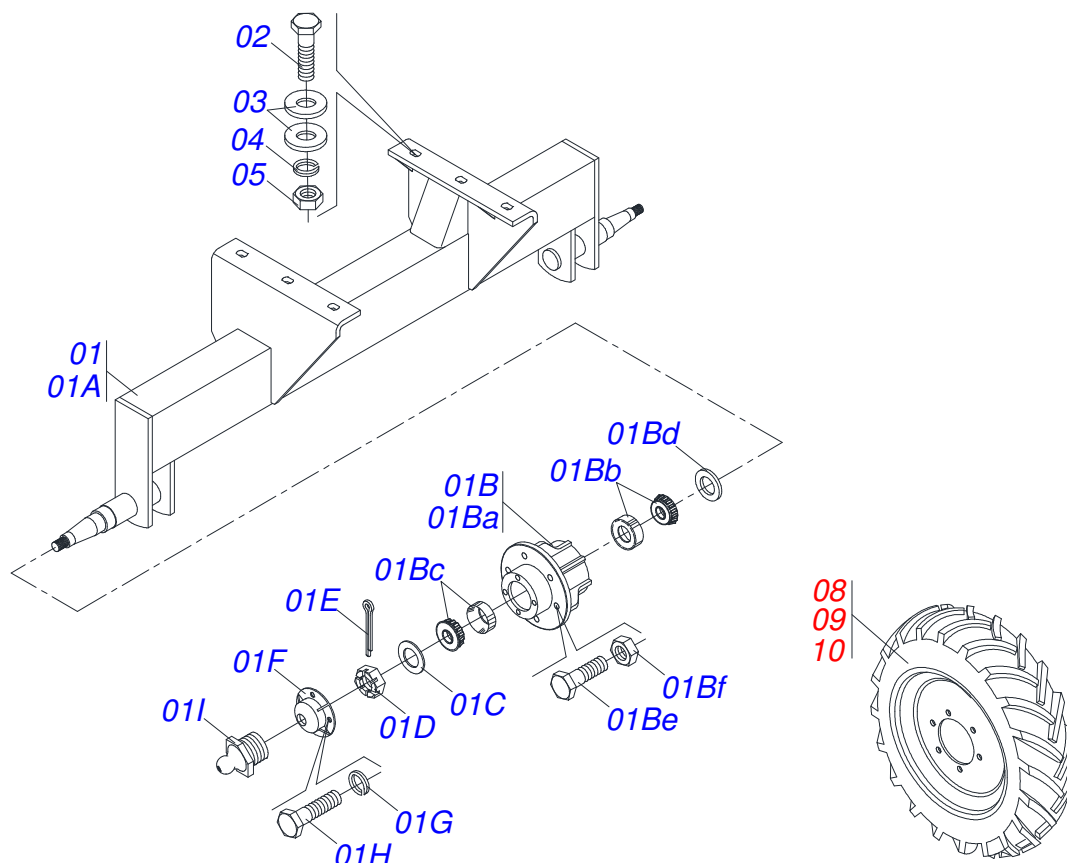
Item	Code	Description	See page	QT
00	0501046802	BELT TENSIONER ASSY		01
01	0501066100	SUPPORT		01
02	0502011366	REEL 1C 8.3" X 1.6" PULLEY		01
03	0503010690	6204 BALL BEARING		02
04	0521010497	0.8" X 1.1" X 1.1" SPACER		01
05	0501019288	WASHER SPACER		02
06	0511012362	TIGHTENER AXLE PULLEY		01
07	0503010014	3/4" NUT		01
08	0501065968	1C X 8.3 PULLEY TENSIONER		01
09	0501012140	FLAT WASHER		01
10	0503010013	5/8" NUT		02
11	0503010002	1800 GREASE FITTING		01



Item	Code	Description	See page	QT
01	0501052176	SLEEVE UNIVERSAL JOINT	01	01
02	0501050265	UNIVERSAL JOINT	01	01
03	0501050333	1-40 TERMINAL WITH HITCH	01	01
04	0502010565	2-40 TERMINAL W/ SH 1.5"/1.5"	01	01
05	0503012069	ADAPTER FOR BUSHING PROTECT	01	01
06	0521013800	16" X 1.4" SQUARE SLEEVE	01	01
07	0503010836	CARDAN CROSSPIECE	02	01
08	0503011069	0.4" X 2.8" SPRING PIN	01	01
09	0503010510	0.2" X 2.6" SPRING PIN	01	01
10	0501052177	AXLE UNIVERSAL JOINT	01	01
11	0501052178	UNIVERSAL JOINT	01	01
12	0502011611	9-40 TERMINAL	01	01
13	0502010566	3-40 TERMINAL WITH SH 1.2"/1.2"	01	01
14	0503012070	ADAPTER FOR AXLE PROTECTION	01	01
15	0521013801	1.2" X 15.7" SQUARE SHAFT	01	01
16	0503010361	SPRING PIN	01	01
17	0503010756	0.2" X 2.4" SPRING PIN	01	01
18	0501052179	PROT/SLEEVE UNIVERSAL JOINT	01	01
19	0501052180	PROT/AXLE UNIVERSAL JOINT	01	01
20	0503012277	PROTECTION ASSY	01	01
21	0503012279	PROTECTION FOR UNIV JOINT AND AXLE	01	01
22	0503012278	PROTECTION FOR UNIV JOINT SLEEVE	01	01
23	0503012023	CHAIN FOR PROTECTION	02	01
24	0502010563	1-40 STRIATED 1.3/8" TERMINAL	01	01
25	0521010638	0.5" X 3.3" QUIC HITCH COUPL SHAFT	01	01
26	0503030518	0.5"X1.0"X 0.1" COMPRESSION SPRING	01	01
27	0503010838	0.1" X 0.8" SPRING PIN	01	01



Item	Code	Description	See page	QT
01	0503062157	HEADER JACK	11	01



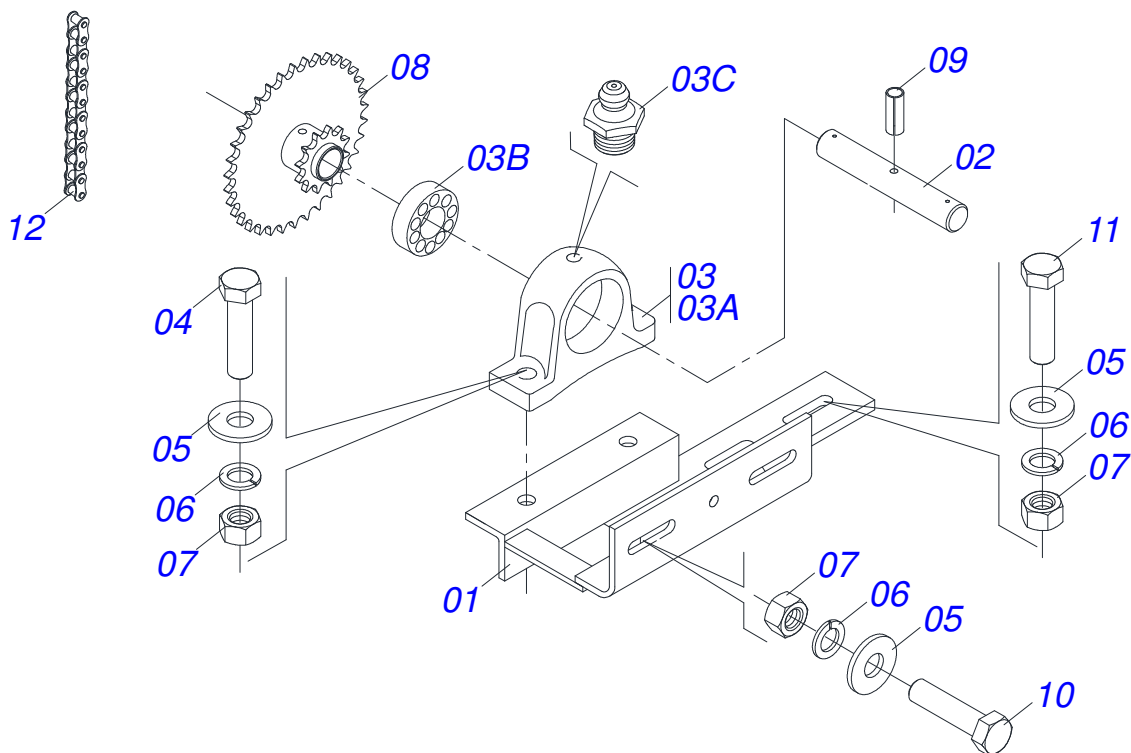
Item	Code	Description	See page	QT
01	0511049830	BELL CRANK FIXER SUPPORT		01
01A	0501069574	CARRYING-WHEEL FIXATION SUPPORT		01
01B	0511051258	CARRYING WHEEL HUB		02
01Ba	0521062555	HUB CARRYING-WHEELS		02
01Bb	0503010006	32210 ROLLER BEARING		02
01Bc	0503010037	30207 ROLLER BEARING		02
01Bd	0503012928	SEAL		02
01Be	0501010127	9/16" X 1-7/8" LUG BOLT		12
01Bf	0503013001	9/16" CONICAL NUT		12
01C	0501016545	FLAT WASHER		02
01D	0503830009	1" X 0.9" CASTLE NUT		02
01E	0503010131	3/16" X 1-1/2" COTTERPIN		02
01F	0502020591	PROTECCION COVER		02
01G	0503011444	SPRING WASHER		08
01H	0503010295	SCREW 5/16 UNC X 5/8 CS G.2 ZN		08
01I	0503010002	1800 GREASE FITTING		02
02	0503010899	5/8" X 2-1/4" BOLT		06
03	0501012140	FLAT WASHER		12
04	0503010027	5/8" SPRING WASHER		06
05	0503010013	5/8" NUT		06
06	0511051259	KIT SIGNALING		01
06A	0561019598	LANTERN BODY SUPPORT		01
06B	0501011048	3/8" X 2-1/2" BOLT		02
06C	0503010025	3/8" SPRING WASHER		02
06D	0503010026	3/8" NUT		02
06E	0503032811	FLASHLIGHT		02
06F	0503032812	1141 12V LAMP		04
06G	0503032813	67 12V 5W LAMP		02
06H	0503013224	CABLE PP		08
06I	0503015497	CABLE PP		08
06J	0503013151	ELECTRIC CONNECTION		01



**DCA2 7500 MC**  
**KIT WITH BRAKE**

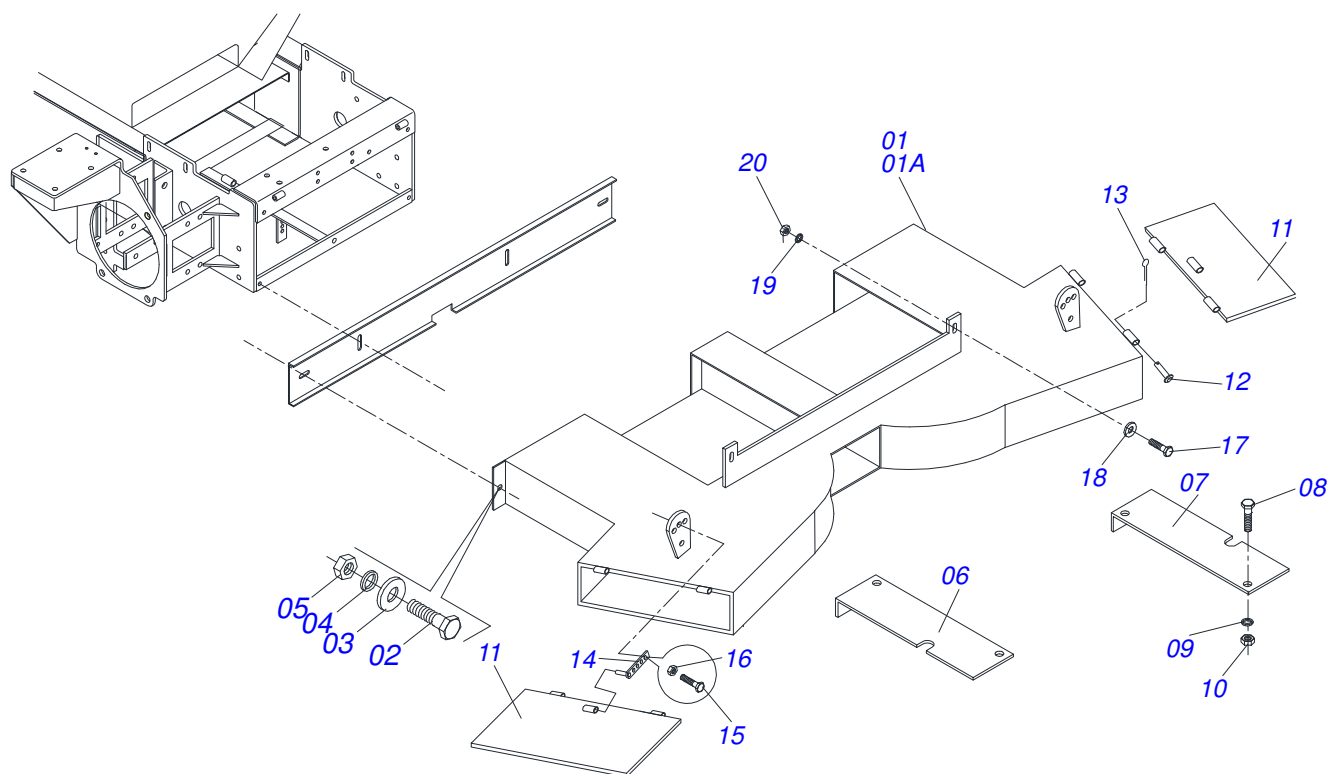
Page 12  
0909093413

Item	Code	Description	See page	QT
06K	0521062556	SUPPORT THE TRIANGLE		01
06L	0503013849	1/4" UNC X 3/4" BOLT		04
06M	0501010694	8.5 X 18 X 1.5 FLAT WASHER		08
06N	0503010023	3/4" SPRING WASHER		04
06O	0503010014	3/4" NUT		04
07	0511051260	BRAKE ASSY DCA		01
07A	0503061994	RIGHT BRAKE ASSY DCA		01
07B	0503061995	BRAKE ASSEMBLY LEFT DCA		01
07C	0561019596	PLATE LOCK BRAKE		02
07D	0501011179	7/16" X 1" BOLT		08
07E	0503010180	7/16" SPRING WASHER		08
07F	0503013494	NUT 7/16		08
07G	0561019597	BLOCK FLOW DIVIDER		01
07H	0503012776	1/8" NF NIPPLE		04
07I	0541011066	3/4" UNF X 43.5 NIPPLE		01
07J	0501081408	HOSE ASSY 1/4 "		02
07K	0501080780	HOSE ASSY 3/8 " TC-TM		01
07L	0501013115	RING OF 27		02
08	0503061969	CON WHEEL TIRE		02
09	0503060181	WHEEL AND TIRE		02
10	0511059647	WHEEL AND TIRE ASSY		02

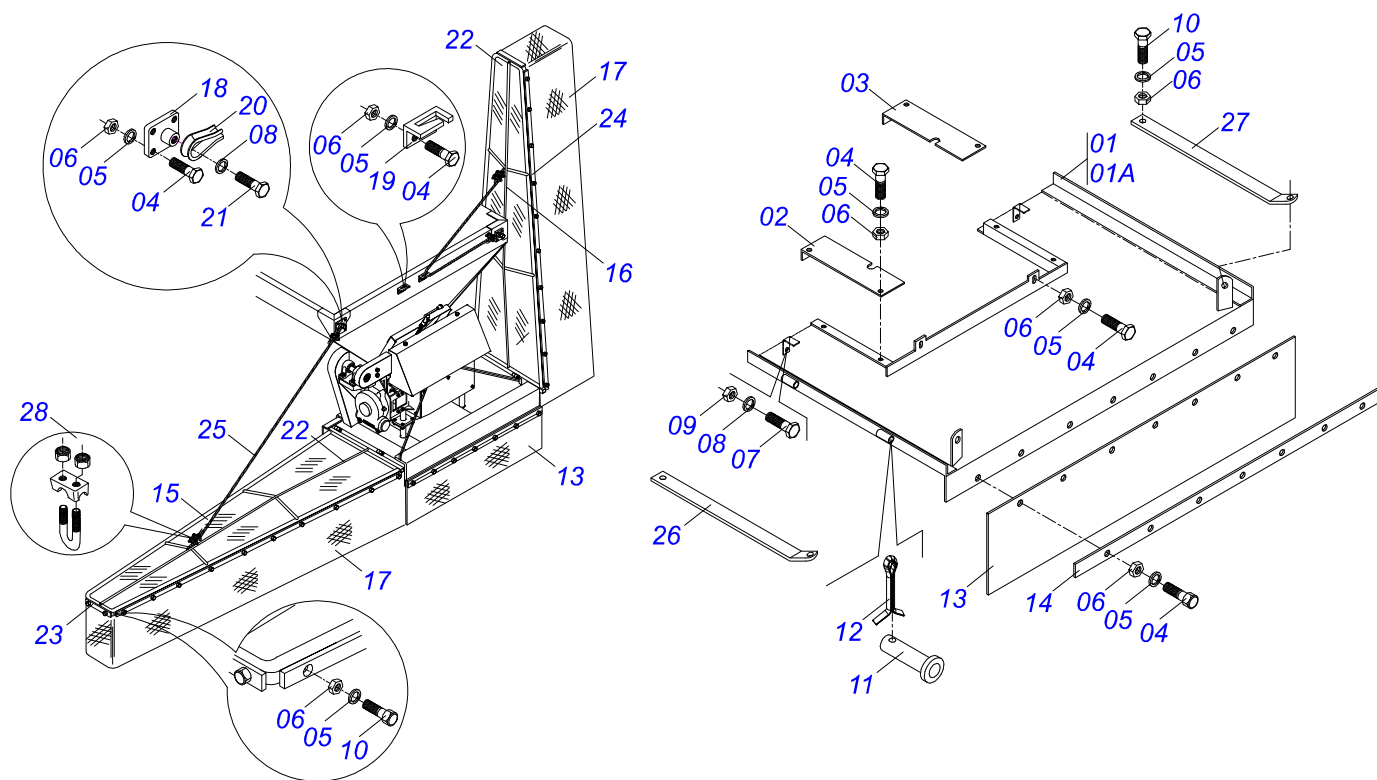


Item	Code	Description	See page	QT
01	0511062360	REDUCTION SUPER		01
02	0531010272	REDUCTION AXLE SUPER		01
03	0511041213	AGRICULTURAL BEARING		02
03A	0502011954	AGRICULTURAL HOUSING BEARING		02
03B	0503011884	BALL BEARING		02
03C	0503010691	1/4" GREASE FITTING		02
04	0503011082	C1/2" X 1.3/4" SCREW		04
05	0511017302	FLAT WASHER		08
06	0503010019	1/2" SPRING WASHER		08
07	0503010060	1/2" NUT		08
08	0511062364	REDUCTION GEAR SUPER		01
09	0503011855	0.2" X 1.8" SPRING PIN		01
10	0503010395	1/2" X 1-1/4" BOLT		02
11	0503010920	1/2" X 1.1/2" BOLT		02
12	0503012942	50-1 CHAIN X 46 LINK + REDUCTION		01

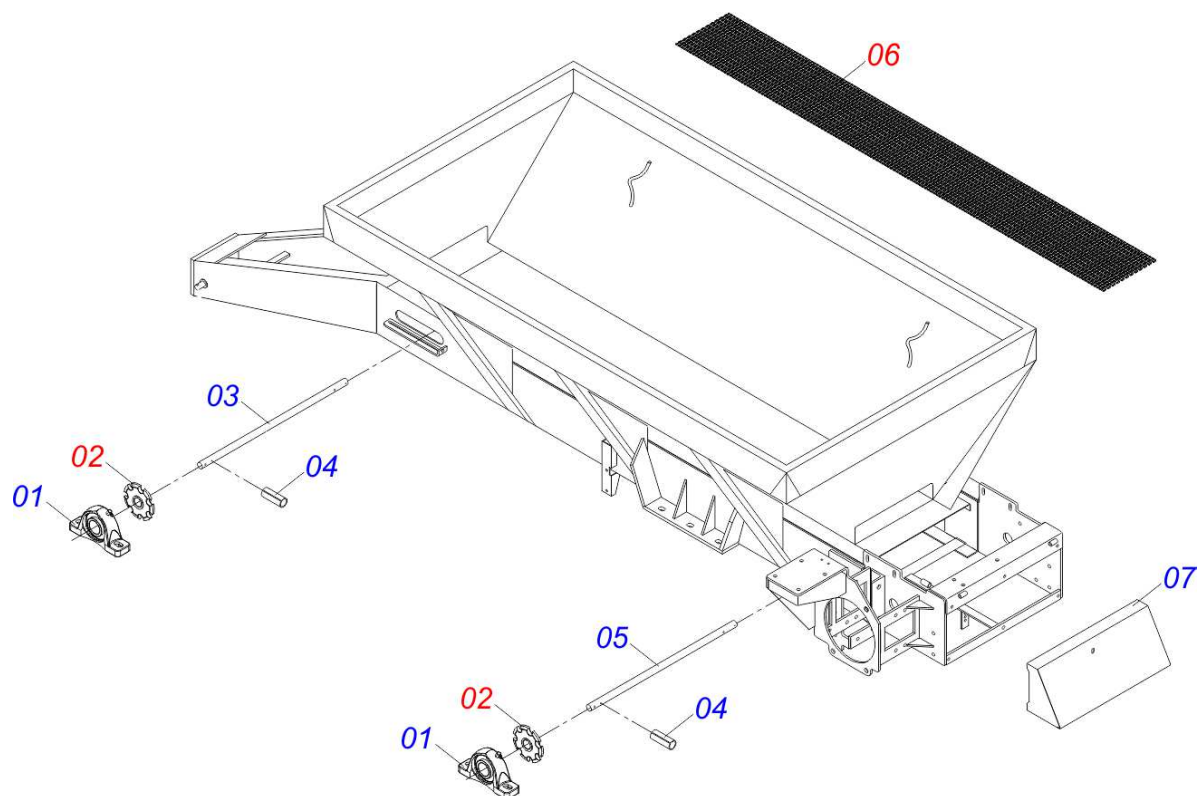




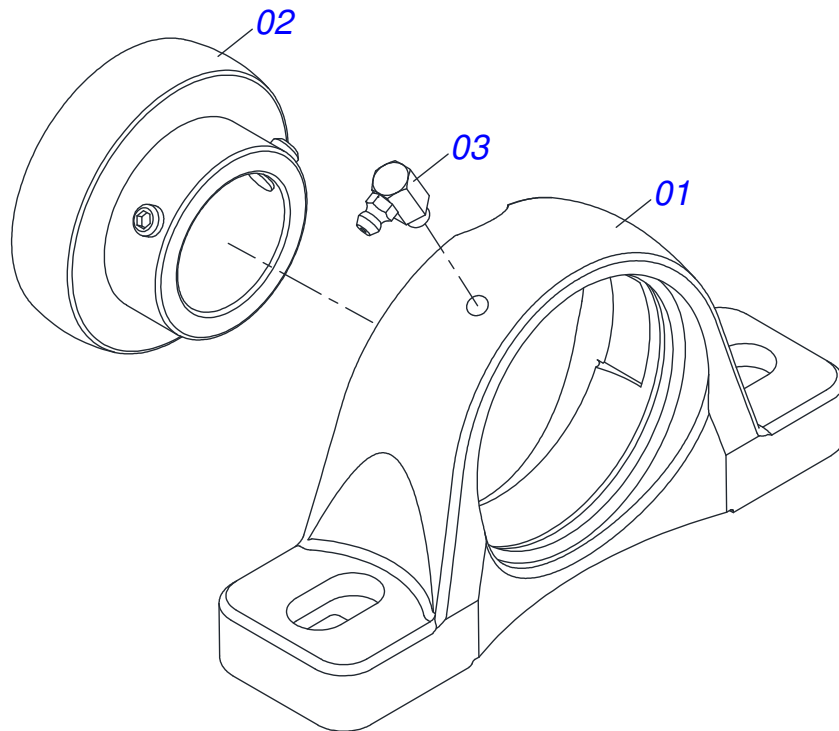
Item	Code	Description	See page	QT
01	0501046997	CONTROLLER ASSY		01
01A	0501067807	CONTROLLER DCA2 MC		01
02	0503010395	1/2" X 1-1/4" BOLT		02
03	0511017302	FLAT WASHER		02
04	0503010019	1/2" SPRING WASHER		02
05	0503010060	1/2" NUT		02
06	0511017104	RIGHT COVER SIDE		01
07	0511017105	LEFT COVER SIDE		01
08	0503010256	3/8" X 3/4" BOLT		04
09	0503010025	3/8" SPRING WASHER		04
10	0503010026	3/8" NUT		04
11	0501067632	DEFLECTOR		02
12	0501017574	0.3" X 2.7" AXLE		04
13	0503010257	1/8" X 1" COTTERPIN		04
14	0501067368	DIVISOR REGULATOR OPEN		02
15	0503010751	C3/8" X 1.1/4" HEX BOLT G.5		02
16	0503010026	3/8" NUT		02
17	0501010080	3/8" BOLT		02
18	0501011517	FLAT WASHER		02
19	0503010025	3/8" SPRING WASHER		02
20	0503010026	3/8" NUT		02



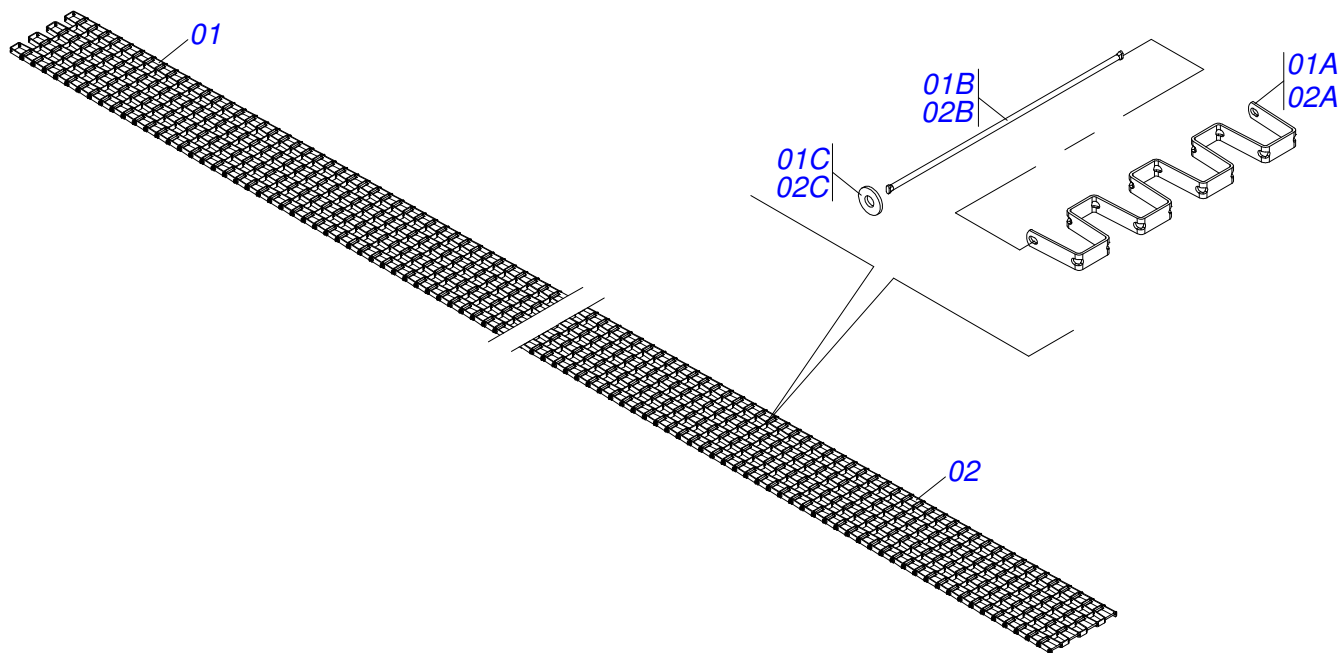
Item	Code	Description	See page	QT
01	0501047695	DAMPER ASSY		01
01A	0501067801	CENTRAL FRAME		01
02	0511017104	RIGHT COVER SIDE		01
03	0511017105	LEFT COVER SIDE		01
04	0503010237	3/8" X 1" BOLT		67
05	0503010025	3/8" SPRING WASHER		71
06	0503010026	3/8" NUT		71
07	0501010063	1/2" X 1-1/2" BOLT		02
08	0503010019	1/2" SPRING WASHER		04
09	0503010060	1/2" NUT		02
10	0503010751	C3/8" X 1.1/4" HEX BOLT G.5		04
11	0511013803	PIN		04
12	0503010131	3/16" X 1-1/2" COTTERPIN		04
13	0511013810	REAR PROTECTION		01
14	0511013804	REAR RIBBON FIXER BLANKET		01
15	0501066442	RIGHT WING		01
16	0501066443	LEFT WING		01
17	0511013808	BLANKET RUBBER		02
18	0501066515	STELL SUPPORT CABLO		02
19	0501066514	STELL GUIDE CABLO		02
20	0503011202	BRACKET		04
21	0503010834	1/2 X 1 BOLT		02
22	0511013809	SUPPORT PROTECTION		02
23	0511013806	FIXER CANVAS RIBBON		02
24	0511013793	FIXER SUPPORT CANVAS		04
25	0511013817	STELL CABLE		02
26	0511017465	ATTACHMENT BAR		01
27	0511017466	ATTACHMENT BAR		01
28	0503010165	5/16" CABLO STEEL STAPLE		08



Item	Code	Description	See page	QT
01	0501044308	AGRICULTURAL BEARING ASSY	17	02
02	0502040728	7Z GEAR		02
03	0511016482	DRIVEN AXLE		01
04	0503010361	SPRING PIN		02
05	0511018406	MOTOR AXLE		01
06	0511048904	DRIVE THE TRANSPORT		01
07	0501068211	MAT INOX REAR PROTECTION		01



Item	Code	Description	See page	QT
01	0502011050	AGRICULTURAL HOUSING BEARING		01
02	0503011163	1108/UCR BEARING ASSY		01
03	0503010004	1890 GREASE FITTING		01



Item	Code	Description	See page	QT
01	0511050052	MAT SEGMENT		06
01A	0561016633	TRANSPORT MAT BODY		35
01B	0561016632	AXIS UNION MAT		35
01C	0503015148	WASHER		70
02	0511050053	MAT SEGMENT		01
02A	0561016633	TRANSPORT MAT BODY		16
02B	0561016632	AXIS UNION MAT		16
02C	0503015148	WASHER		32





[www.marchesan.com.br](http://www.marchesan.com.br)



**Technical Publications | Elaboration and Revision**  
JOÃO VIRGINIO ROCHA