

# PARTS CATALOG

## FRONT LOADER

PD MF 4292-4 SHT/BT TC-ZF/CA  
S-0510

Code: 0501091486



Series: S-0510

Review: SETEMBRO/15

ORIGINAL PARTS  
TATU

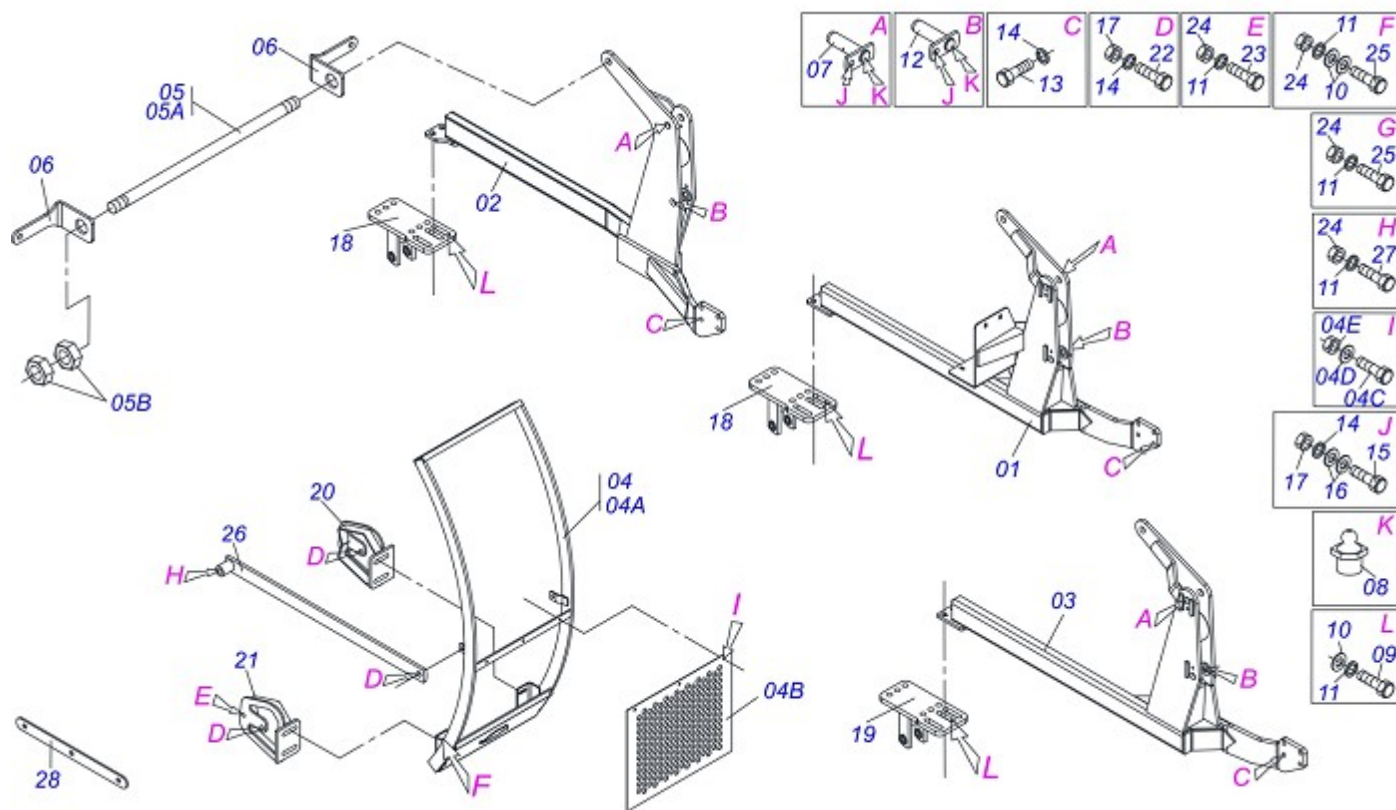


# INDEX

0909090754	CHASSI PD MF 4292-4 S-0510	.....	1
0909090756	SUPT.MOVEL MF 4292-4 BT/SHT S-0510	.....	2
0909090758	CIRC.HIDR. MF 4292-4 BT S-0510	.....	3
0909090759	CIRC.HIDR. 4292-4 SHT TC-ZF/CA S-0510	.....	4
0909090760	CIL.HIDR.44,45X85,7X1010X400 DIR/ESQ.	.....	5

**ATTENTION: IMPORTANT**

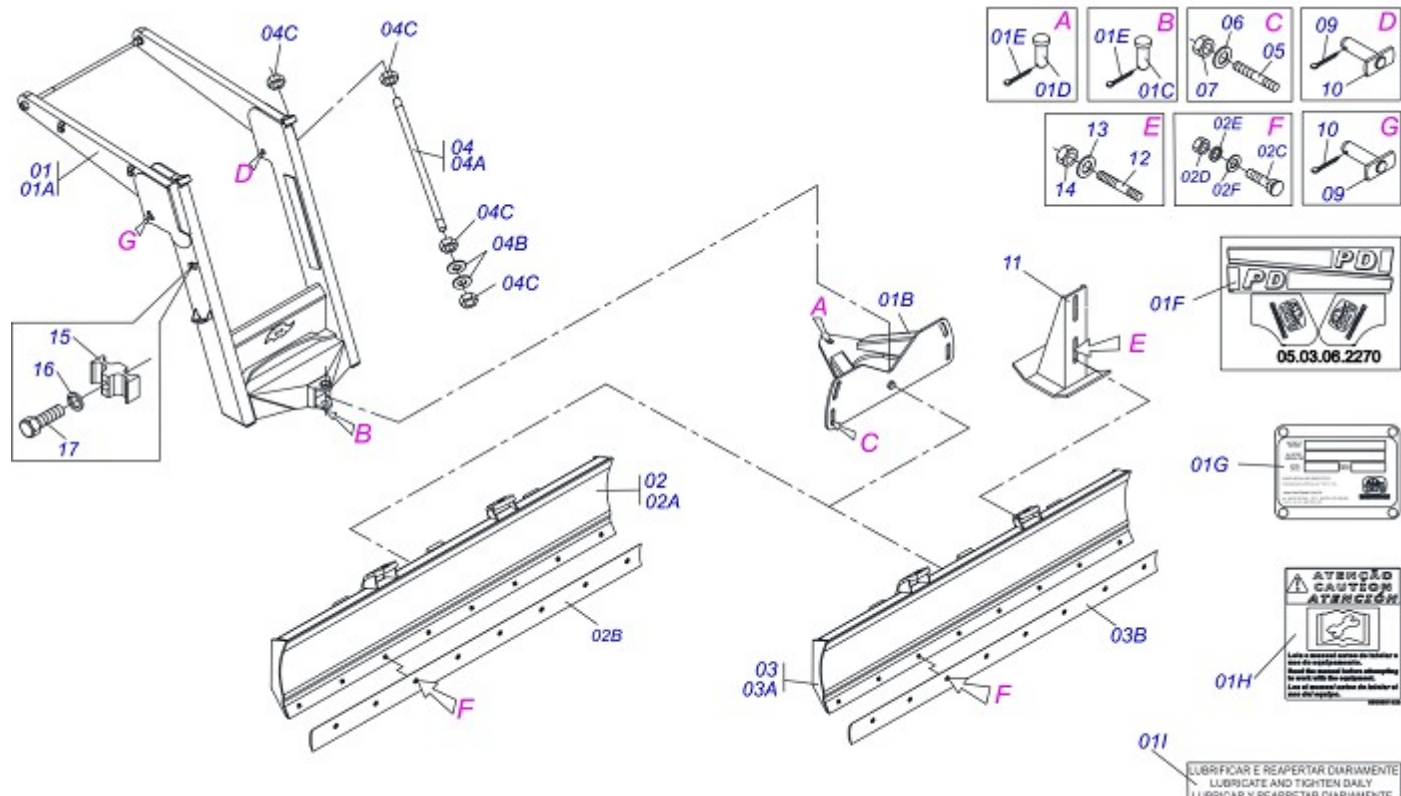
MARCHESAN RESERVES THE RIGHT AT ANY TIME TO MAKE IMPROVEMENTS IN THE DESIGN, MATERIAL OR SPECIFICATIONS OF MACHINERY, EQUIPMENT OR PARTS WITHOUT THEREBY BECOMING LIABLE TO MAKE SIMILAR CHANGES IN MACHINERY, EQUIPMENT OR PARTS PREVIOUSLY SOLD.



Item	Code	Description	QT
01	0521061634		01
02	0521061635		01
03	0521061636		01
04	0511049956	MOBILE SUPPORT GUIDE ASSY	01
04A	0521062696		01
04B	0501017431	FRONT PROTECTION	01
04C	0503010751	3/8" X 1.1/4" HEX BOLT G.5	03
04D	0501010984	FLAT WASHER	03
04E	0503010026	3/8" NUT	03
05	0511043351	1.1/4" X 40" ROD	01
05A	0541015018		01
05B	0501010087	1.1/4" UNC NUT	04
06	0561010051		02
07	0501063751	1.5" X 5.5" PIVOT SHAFT	02
08	0503010002		02
09	0503010962	PARAFUSO 5/8 UNC X 1.1/4 CS	04
10	0501012140	FLAT WASHER	08
11	0503010027		10
12	0501063960	37,2 X 130 PIVOT SHAFT LOCK	02
13	0503013390	3/4" UNC BOLT	12
14	0503010023		10
15	0501010500	3/4" X 3" BOLT	04
16	0501010322		08
17	0503010014		06
18	0511069461		01
19	0511069462		01
20	0521061644		01
21	0521061643		01
22	0503011322	M20 X 2" BOLT	02
23	0501010100	5/8" X 2" BOLT	02
24	0503010013		06
25	0503010233	5/8" X 2-1/2" BOLT	04
26	0521063340		02



Item	Code	Description	QT
27	0503016110	LONG FEERTILIZER ROW SUPPORT	02
28	0561016347		02

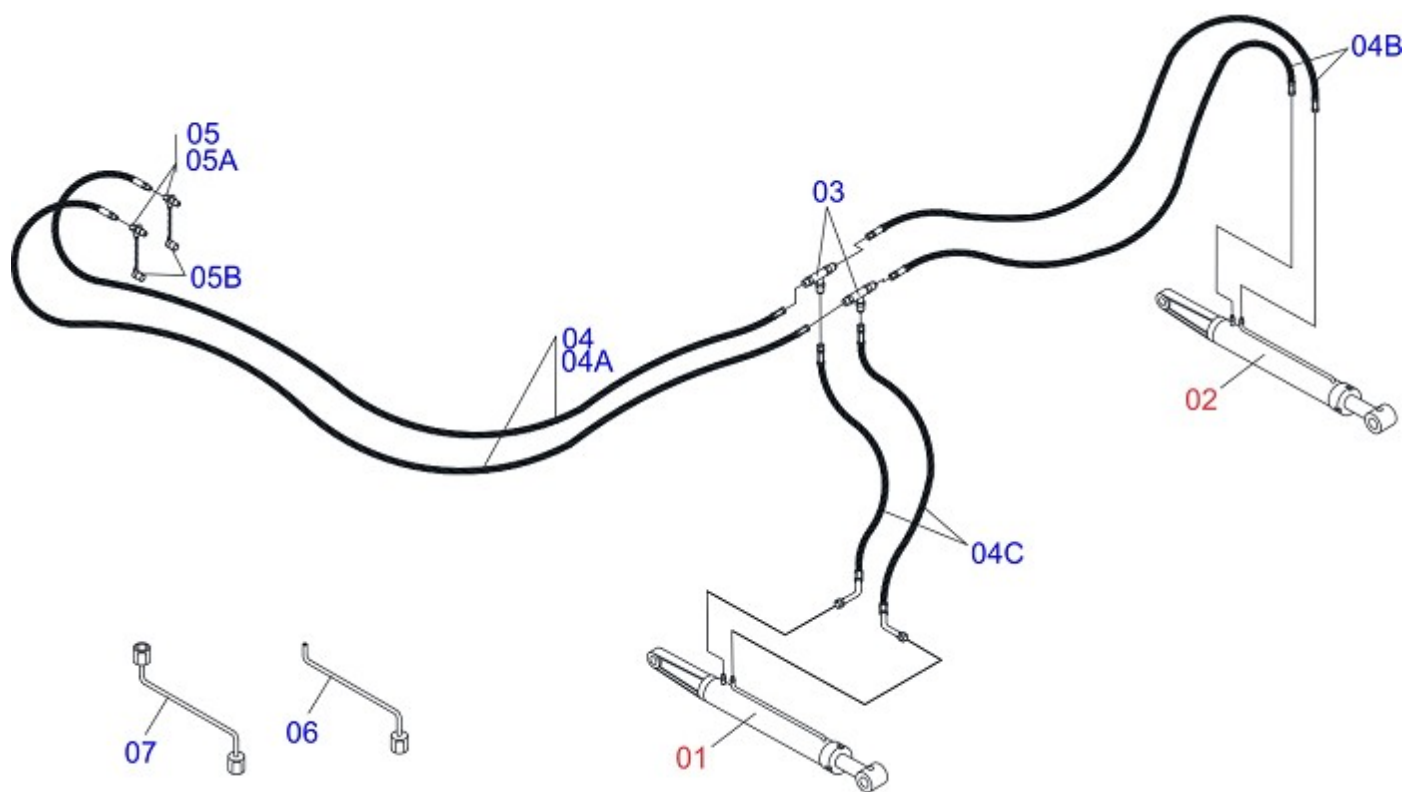


Item	Code	Description	QT
00	0909090756	SUPT.MOVEL MF 4292-4 BT/SHT S-0510	01
01	0511049953		01
01A	0521062701		01
01B	0501062637	5/8" REGULATOR SUPPORT	01
01C	0521010618	1.4" X 8.6" COUPLING SHAFT	01
01D	0521010612	1.4" X 3.5" COUPLING SHAFT	01
01E	0503010010	1/4" X 2.1/2" COTTERPIN	02
01F	0503062270	SET LABEL ADHESIVE	01
01G	0503034003		01
01H	0503031428	ADHESIVE LABEL ATTENTION	01
01I	0503031827	ADHESIVE LABEL	01
02	0501047708	2400 BLADE SUPPORT	01
02A	0501067999	2390 BLADE SUPPORT	01
02B	0622360016	94.5" SCRAPER REVERSIBLE	01
02C	0501012240	5/8" X 2-1/2" BOLT	08
02D	0503010013		08
02E	0503010027		08
02F	0501012140	FLAT WASHER	08
03	0501047710	2600MM BLADE SUPPORT ASSY	01
03A	0501068001	2590MM BLADE SUPPORT ASSY	01
03B	0622360011	2600 SCRAPER REVERSIBLE	01
04	0501041427	1.1/4" NC X 1540 ROD	02
04A	0501014250	1.1/4" X 1540 ROD	02
04B	0502012180	CONICAL SPRING WASHER	04
04C	0501010087	1.1/4" UNC NUT	08
05	0561016755	PRISONER 1 UNC X 1 UNC X 76 ZN	04
06	0501010574	FLAT WASHER	04
07	0501010059		04
08	0521063354	COUPLING SHAFT	01
09	0521063358		01
10	0503010534	PASADOR ABIERTO 3/8 X 2.1/2	02
11	0501063411	ESTABILIZER BRACKET	02
12	0561016756	3/4 UNC X 3/4 UNC X 56 PRISONER	04

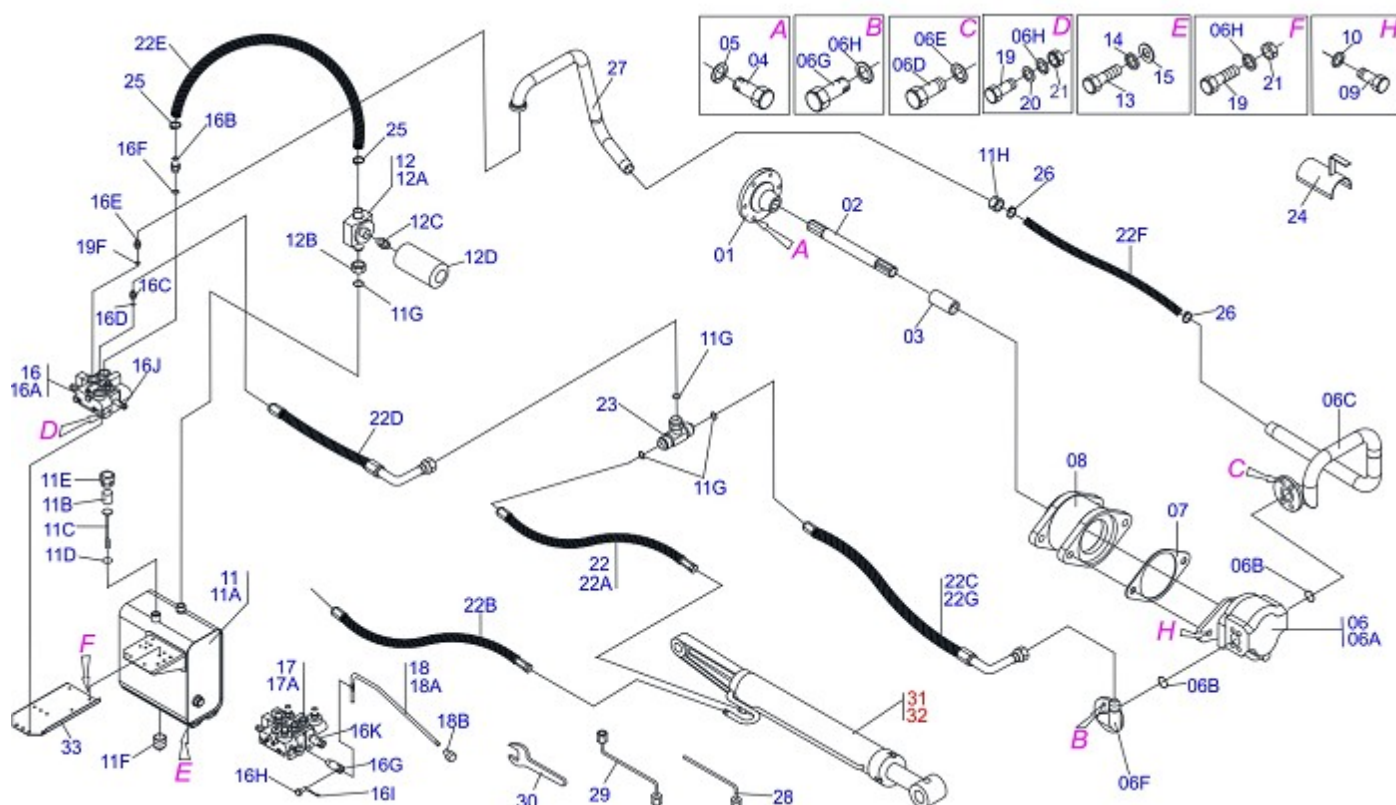


Item	Code	Description	QT
13	0501010322		04
14	0503010014		04
15	0502012702	UPPER CLAMP BODY 7/16	03
16	0503012555	7/16" X 2" BOLT	03
17	0503010180	7/16" SPRING WASHER	03





Item	Code	Description	QT
00	0909090758	CIRC.HIDR. MF 4292-4 BT S-0510	01
01	0501046992	HYDRAULIC CYLINDER	01
02	0501046993	HYDRAULIC CYLINDER	01
03	0503013493	T CONNECTION MALE	02
04	0501059946		01
04A	0501080076	1/2" X 2500 TR-TM HOSE ASSY	02
04B	0501080014		02
04C	0501080267		02
05	0501053834	QUICK CONECTION (MALE) 1/2NPT	02
05A	0503011627	QUICK CONNECTION (MALE) AGR 1/2 NPT	02
05B	0503011882	QUICK CONNECTION COVER	02
06	0501061617	1" WRENCH CYLINDRICAL HEX	01
07	0501068213	5/8" WRENCH DOUBLE	01

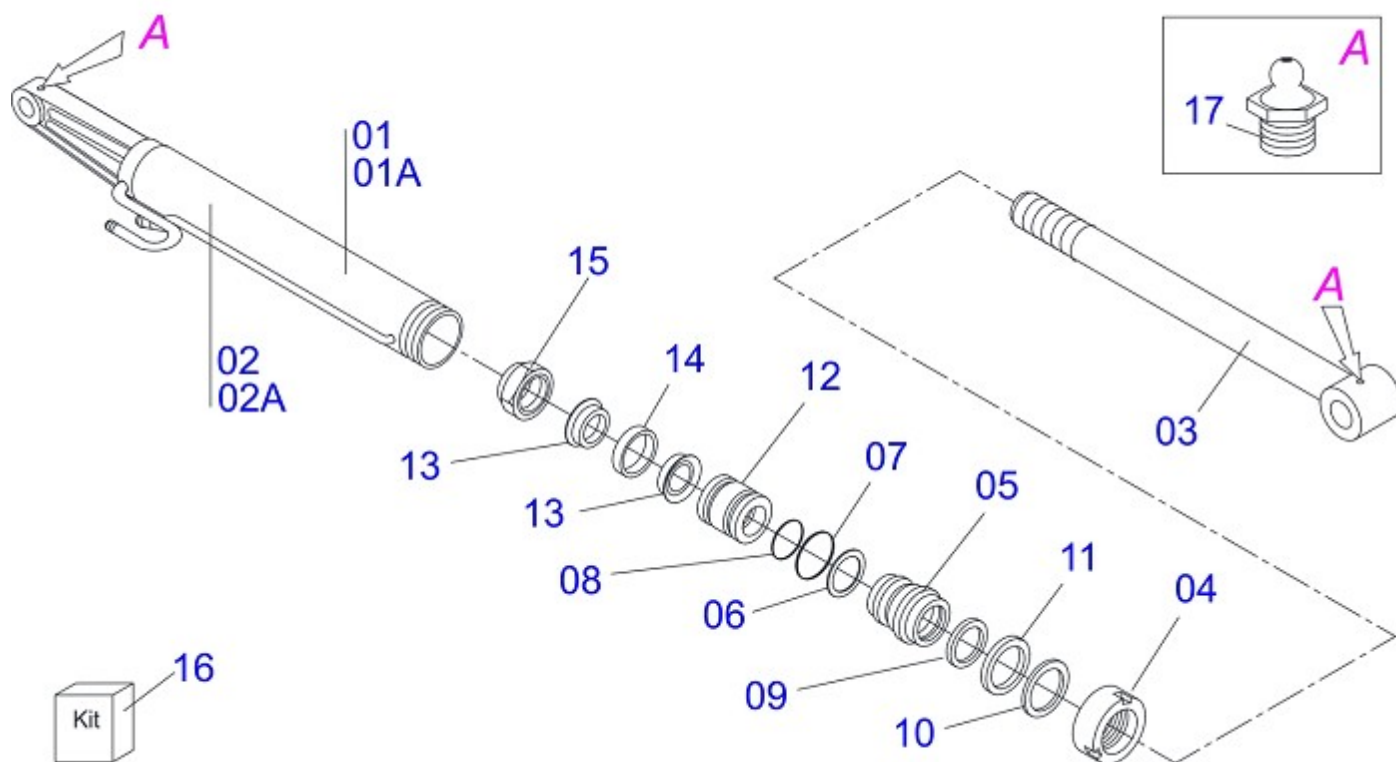


Item	Code	Description	ZF / CA
01	0501067327	FLANGE COUPLING	01 01
02	0503030838	1-1/8" X 2.4" SLEEVE	00 01
02.	0501059981		01 00
03	0503030838	1-1/8" X 2.4" SLEEVE	01 01
04	0503011313	M8 X 2" BOLT	06 06
05	0503010180	7/16" SPRING WASHER	06 06
06	0501059935		01 01
06A	0503061770	PUMP WITH TUBE	01 01
06B	0503010173	2-220 N 3006-9B O-RING	02 02
06C	0521061552		01 01
06D	0503010355	7/16" X 1" BOLT	04 04
06E	0503011446		04 04
06F	0501069661	PUMP PRESSURE TUBE	01 01
06G	0503010134	3/8" X 1" BOLT	04 04
06H	0503010025		10 10
07	0561016191		01 01
08	0511069926		01 01
09	0503010752		02 02
10	0503010019		02 02
11	0501047575	RESERVOIR OIL ASSY	01 01
11A	0501068685	RESERVOIR OIL	01 01
11B	0503030044	FILTERING ELEMENT	01 01
11C	0501060975	OIL GAGE	01 01
11D	0503010185	2-221 N 3006-9B O-RING	01 01
11E	0502020472	TANK COVER BODY	01 01
11F	0503031604	1/2" BSP PLUG	01 01
11G	0503010046	2-216 N 3006-9B O-RING	05 05
11H	0501016309	2" 1X 2.5/16" NUT	01 01
12	0501041108	RETURNING FILTER ASSY	01 01
12A	0502050002	RETURNING FILTER HEAD	01 01
12B	0501010594	1" NUT HEX	01 01
12C	0501010595	1" NF NIPPLE	01 01
12D	0503010183	RETURNING FILTER	01 01





Item	Code	Description	ZF / CA
13	0501010161	1/2" X 1-1/4" BOLT	04 04
14	0503010019		04 04
15	0511017302		04 04
16	0501040871	1/2" COMMAND SIMPLE ASSY	01 01
16A	0503060080	1/2" COMMAND SIMPLE	01 01
16B	0501010591	HOSE NIPPLE	01 01
16C	0501010589	1-1/16 NIPPLE	01 01
16D	0503011109	2-119 N 3006-9B O'RING	02 02
16E	0501010590	7/8" HEX NIPPLE	02 02
16F	0503010045	2-116 N 3006-9B O'RING	02 02
16G	0503030347	UPPER LEVER ASSY (SAUER DANFOSS)	01 01
16H	0521010533	0.3" X 1" COUPLING SHAFT	01 01
16I	0503010140		01 01
16J	0503030387	PLUG	02 02
16K	0503030388	PLUG N-005	01 01
17	0501059952		01 01
17A	0503060016	1/2"DOUBLE COMMAND	01 01
18	0501048023	CONTROL VALVE	02 02
18A	0511060695	CONTROL VALVE	02 02
18B	0503030878	LEVER CRANK	02 02
19	0501010080	3/8" X 1-1/2" BOLT	06 06
20	0501010984	FLAT WASHER	06 06
21	0503010026	3/8" NUT	06 06
22	0501059945		01 01
22A	0501081384		02 02
22B	0501080022	1/2" X 43" TR-TR HOSE ASSY	02 02
22C	0501080062		02 02
22D	0501081077	3/4" X 3100 TC-TC HOSE ASSY	01 01
22E	0501010610	1" X 800 AB-AB HOSE	01 01
22F	0551012897		01 01
22G	0501080825	1/2" X 1100 TR-TC HOSE	02 02
23	0503013493	T CONNECTION MALE	02 02
24	0511064563	HOSE PROTECTION	01 01
25	0503010184	1-1/4" TO 1-1/2" CLAMP	02 02
26	0503010243	1-1/2" TO 2" CLAMP	02 02
27	0521061677		01 01
28	0501061617	1" WRENCH CYLINDRICAL HEX	01 01
29	0501068213	5/8" WRENCH DOUBLE	01 01
30	0511010153	2-5/16" FIXED WRENCH	01 01
31	0501046992	HYDRAULIC CYLINDER	01 01
32	0501046993	HYDRAULIC CYLINDER	01 01
33	0561016462		01 01



Item	Code	Description	QT
00	0909090760	CIL.HIDR.44,45X85,7X1010X400 DIR/ESQ.	01
01	0501046992	HYDRAULIC CYLINDER	01
01A	0501046993	HYDRAULIC CYLINDER	01
02	0501068207	LEFT 85,72 X 855 CYLINDER CASE	01
02A	0501068206	RIGHT 85,72 X 855 CYLINDER CASE	01
03	0501068208	44,45 X 670 TURNBUCKLE	01
04	0502010993	DETACHABLE COVER	01
05	0502010781	RING SUPPORT	01
06	0503010761	D-1750 SCRAPER RING	01
07	0503010990	GASKET	01
08	0503010949	W2-2000-500 PK RING G.E	01
09	0503011060	8-336 BACK-UP RING	01
10	0503010979	GASKET	01
11	0503010042	2-214 N 3006-9B O'RING	01
12	0502010843	1.8" X 3.4" PISTON	01
13	0503010170	GASKET	02
14	0503010948	W4-3346-590 PK RING G.E	01
15	0503010063	1" SELF-ALIGNING NUT	01
16	0503030387	PLUG	02
17	0503010002	PLUG	02





**MARCHESAN**

**MARCHESAN IMPLEMENTOS E MÁQUINAS AGRÍCOLAS TATU S.A.**

AV. Marchesan, 1979 - Post office box, 131 - CEP 15994-900 - Matão - SP - Brazil

Phone +55 16.3382-8282

(FAX Parts) + 55 16.3382. 8297 - (Export) + 55 16.3382.1003

e.mail: [tatu@marchesan.com.br](mailto:tatu@marchesan.com.br)    [www.marchesan.com.br](http://www.marchesan.com.br)

*Drafting and Illustration = GASPARI  
e.mail = [jgaspari@marchesan.com.br](mailto:jgaspari@marchesan.com.br)*

**ORIGINAL PARTS  
TATU**



**MARCHESAN**