

PARTS CATALOG

ROTARY CUTTERS

RC2 2600 LSL/02 RODAS S-0506

Code: 0501091485



Series: S-0506

Review: SETEMBRO/15

ORIGINAL PARTS
TATU

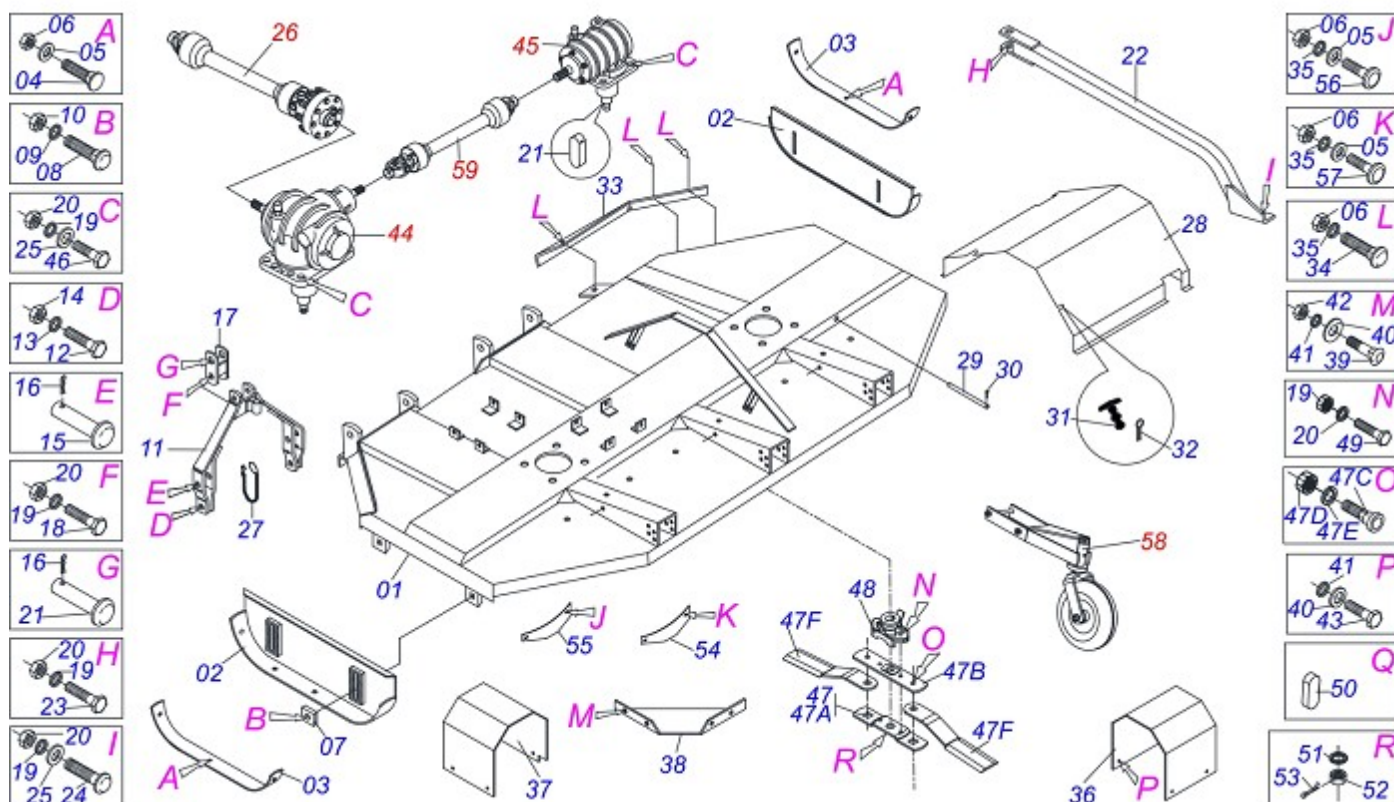


INDEX

0909090752	CHASSI RC2 2600 LSL-02 RODAS	1
0501047684		2
0501044496		3
0501045426		4
0909090712	CARDAN 60 X 900 T1/T6 C/P 0501047948 (STU)	5
0501049150	90 KGM FRICTION	6
0501045888	DRIVE SHAFT	7
0511047301		8
0501043642	RUBBER WHEEL ASSY RC 3100	9
0909091430	(SHEET METAL SUPPORT)SPARE	10

ATTENTION: **IMPORTANT**

MARCHESAN RESERVES THE RIGHT AT ANY TIME TO MAKE IMPROVEMENTS IN THE DESIGN, MATERIAL OR SPECIFICATIONS OF MACHINERY, EQUIPMENT OR PARTS WITHOUT THEREBY BECOMING LIABLE TO MAKE SIMILAR CHANGES IN MACHINERY, EQUIPMENT OR PARTS PREVIOUSLY SOLD.

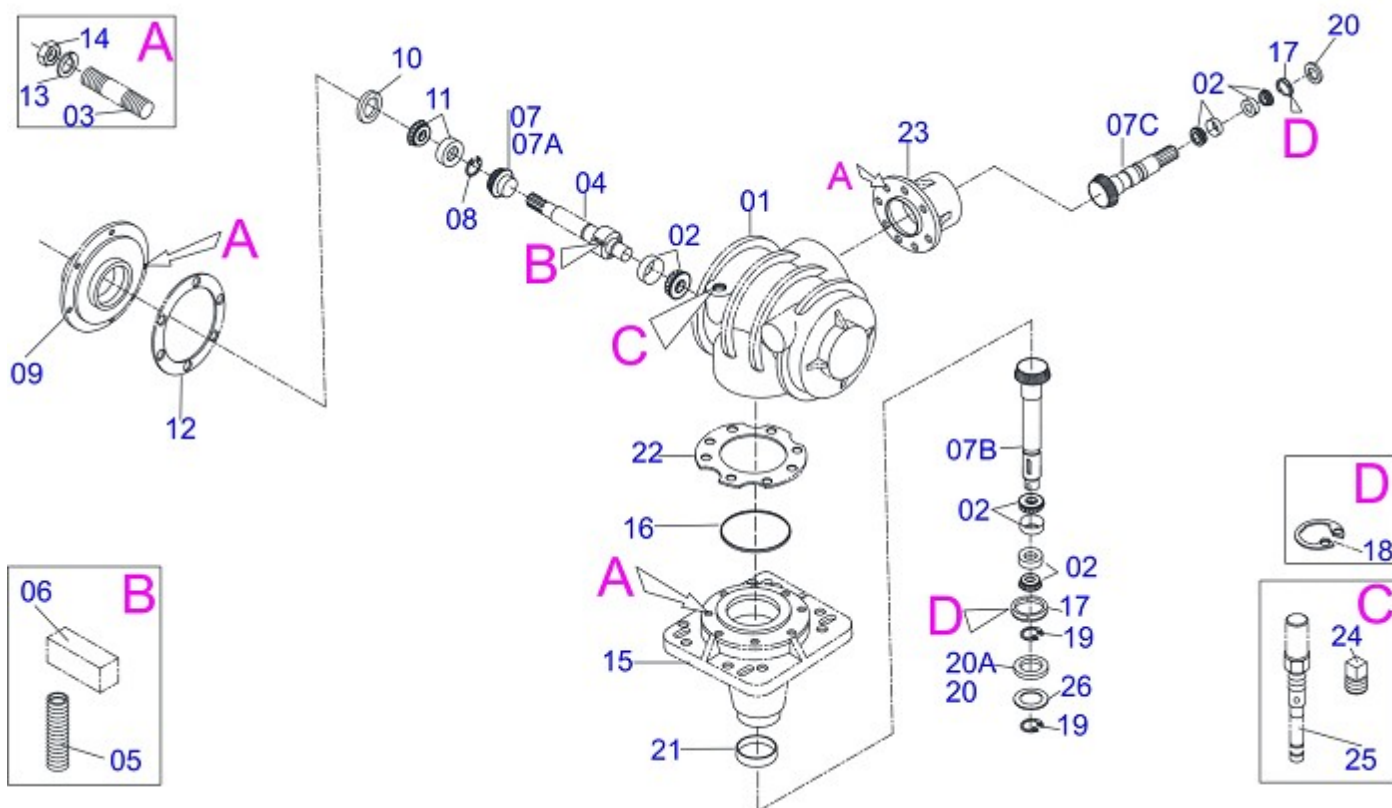


Item	Code	Description	QT
01	0511067785		01
02	0511064760		02
03	0531019436		02
04	0503012956		06
05	0511017302	ARANDELA PLANA 13.5 X 32.5 X 3.00	09
06	0503010020		12
07	0502010083		04
08	0501014177		04
09	0503010027		04
10	0503010013	TUERCA 5/8" UNC	04
11	0501066446		01
12	0501010171		02
13	0503010012		02
14	0501010059		02
15	0521010596		02
16	0503031035		03
17	0501066445		01
18	0503011198		01
19	0503010023	ARANDELA PRESION 3/4"	15
20	0503010014	TUERCA 3/4" UNC	15
21	0521010578		01
22	0501067540		01
23	0501010216		01
24	0501017305		01
25	0501010322		09
26	0501045426		01
27	0503011981		01
28	0511063510		01
29	0521011670		01
30	0503010131		02
31	0503011333		02
32	0503010523	PASADOR ABIERTO 1/4" X 2"	02
33	0501067827		01

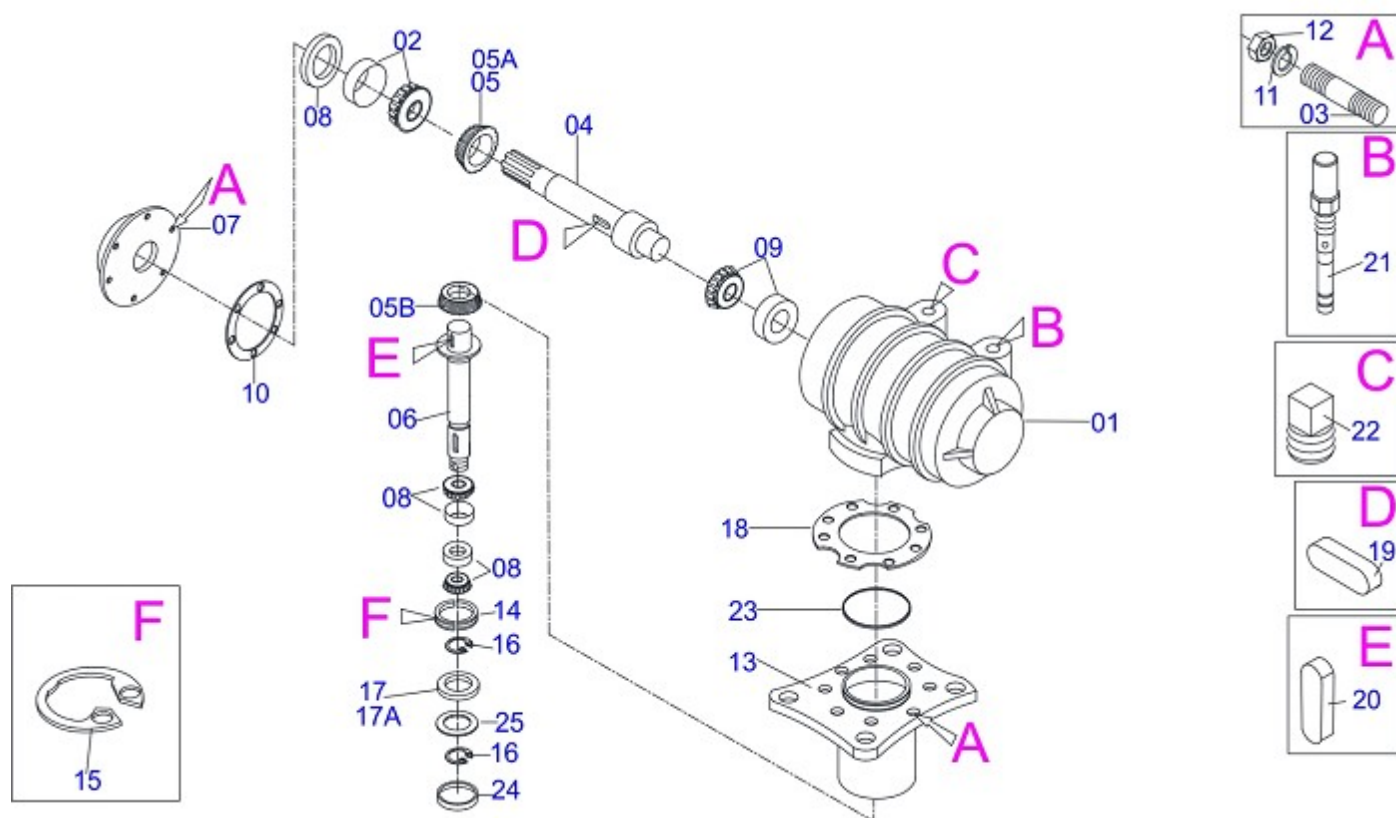


RC2 2600 LSL/02 RODAS S-0506
CHASSI RC2 2600 LSL-02 RODAS

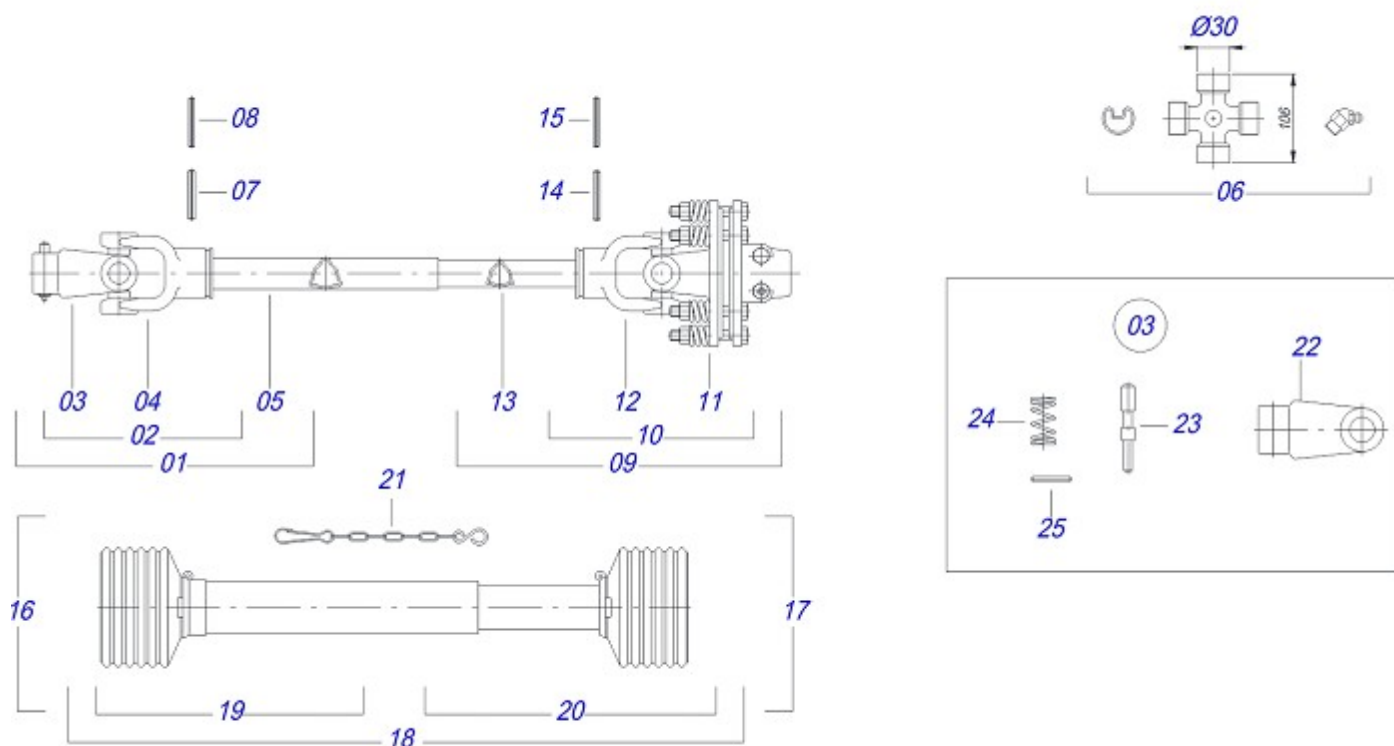
Item	Code	Description	QT
34	0501011600		03
35	0503011440		06
36	0531017842		01
37	0531017843		01
38	0531017928		01
39	0501011643		04
40	0501010984		12
41	0503010025		12
42	0503010026		04
43	0503010256		08
44	0501047684		01
45	0501044496		01
46	0501010216		08
47	0501056326		02
47A	0561017368		02
47B	0561017308		02
47C	0511019000		04
47D	0503010812		04
47E	0503011447		04
47F	0622400057		04
48	0502012453		02
49	0503010901	TORNILLO 3/4"UNC X3.1/2"	04
50	0501010536		04
51	0501017779		02
52	0503011052		02
53	0503010067		02
54	0511019205		01
55	0511019204		01
56	0501010243		01
57	0501011600		02
58	0511047301		02
59	0501045888	DRIVE SHAFT	01



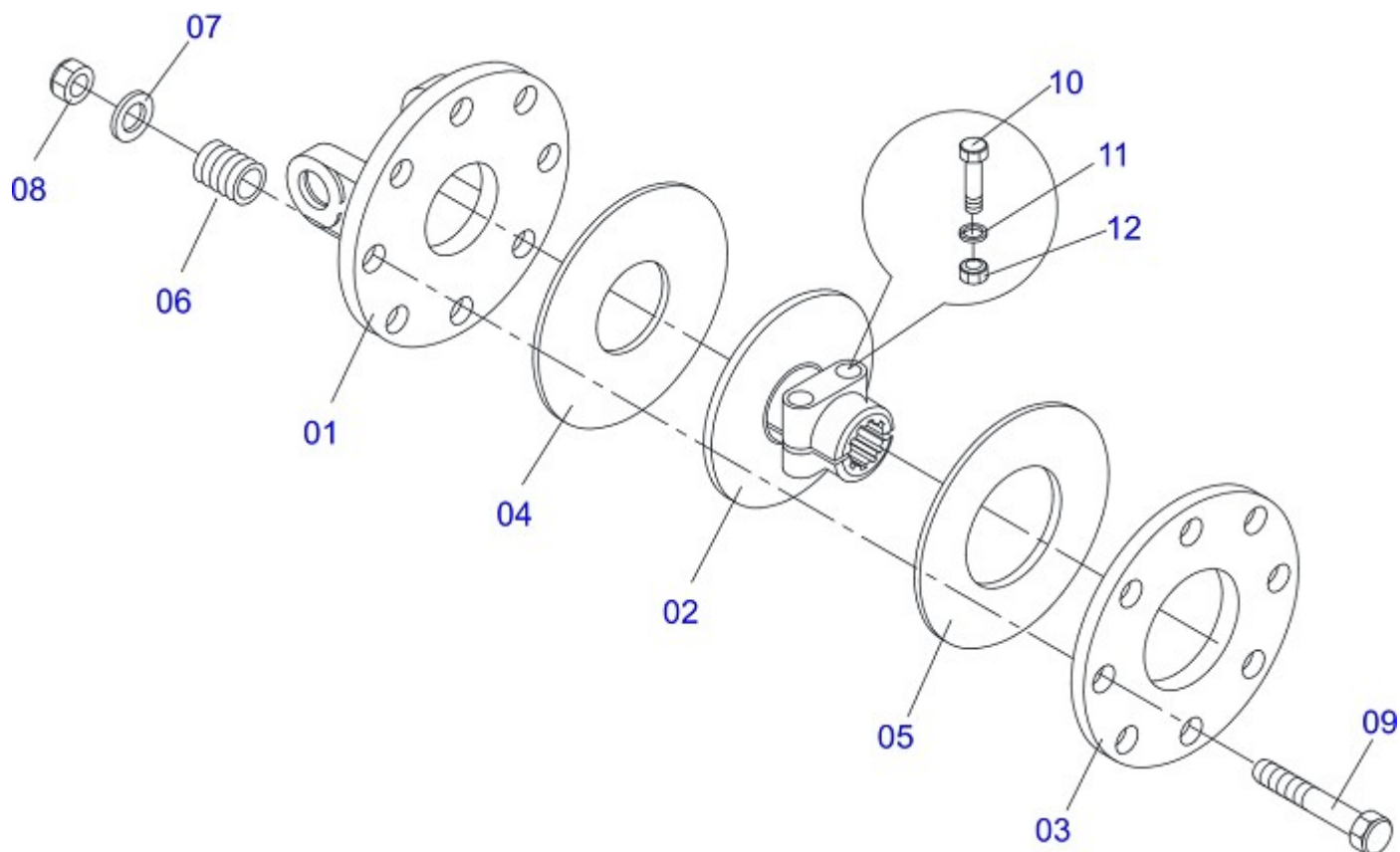
Item	Code	Description	
00	0501047684		01
01	0502011171	MULTIPLIER BOX	01
02	0503010006	32210 ROLLER BEARING	05
03	0503030084	1/2" X 1/2" X 2.0" PRISONER	22
04	0503050051	UPPER AXLE	01
05	0503030051	0.2" X 1" X 0.1" COMPRESSION SPRING	06
06	0511013556	RATCHET CLICK	03
07	0503060216	CROWN PINION SET	01
07A	0503050050	24Z CONICAL GEAR	01
07B	0503050049	PINION CONICAL 13Z	01
07C	0503050045	PINION CONICAL 13Z	01
08	0503010217	501040 CLAMPING RING (FOR AXLE)	01
09	0502010981	LARGER COVER	01
10	0503011171	00912-BRG SEAL	01
11	0503010037	30207 ROLLER BEARING	01
12	0503030784	8.5" X 6.7" X 0.01" JOINT	03
13	0503010019	ARANDELA PRESIÓN 1/2"	22
14	0503010028	1/2" NUT	22
15	0502011392	HOUSING LOWER	01
16	0503010286	2-355 N 3006-9B O'RING	01
17	0511010142	LOCK RING	02
18	0503010396	501060 CLAMPING RING (FOR AXLE)	02
19	0503011190	502090 CLAMPING RING (FOR AXLE)	02
20	0503011047	5089 SEAL	02
20A	0503011201	5089 SEAL WITH HOLE	01
21	0511017752	LOWER DUST CLOAK	01
22	0503030785	7.9" X 5.9" X 0.008" JOINT	06
23	0502011997	SIDE BOX	01
24	0501110185	OIL LARGER LEVEL INDICATOR	01
25	0503010123	1/2" BSPT PLUG	01
26	0521018064	FLAT WASHER	01



Item	Code	Description	
00	0501044496		01
01	0502010983	RIGHT MULTIPLIER BOX	01
02	0503010037	30207 ROLLER BEARING	01
03	0503030084	1/2" X 1/2" X 2.0" PRISONER	14
04	0503050068	UPPER AXLE	01
05	0503060249	CONICAL GEAR SET FOR DOUBLE DISTRIBUTOR	01
05A	0503030113	15Z RIGHT CONICAL GEAR	01
05B	0503031811	15Z LEFT CONICAL GEAR	01
06	0503050048	AXLE LOWER	01
07	0502010986	SMALLER COVER	01
08	0503011171	00912-BRG SEAL	01
09	0503010006	32210 ROLLER BEARING	03
10	0503030783	7.1" X 5.3" X 0.008" JOINT	03
11	0503010019	ARANDELA PRESIÓN 1/2"	14
12	0503010028	1/2" NUT	14
13	0502011392	HOUSING LOWER	01
14	0511010142	LOCK RING	01
15	0503010396	501060 CLAMPING RING (FOR AXLE)	01
16	0503011190	502090 CLAMPING RING (FOR AXLE)	02
17	0503011047	5089 SEAL	01
17A	0503011201	5089 SEAL WITH HOLE	01
18	0503030785	7.9" X 5.9" X 0.008" JOINT	03
19	0501010536		02
20	0501012993	0.4" X 1.1" KEYWAY SQUARE	02
21	0501110186	OIL SMALLER LEVEL INDICATOR	01
22	0503010123	1/2" BSPT PLUG	02
23	0503010286	2-355 N 3006-9B O'RING	01
24	0511017752	LOWER DUST CLOAK	01
25	0521018064	FLAT WASHER	01



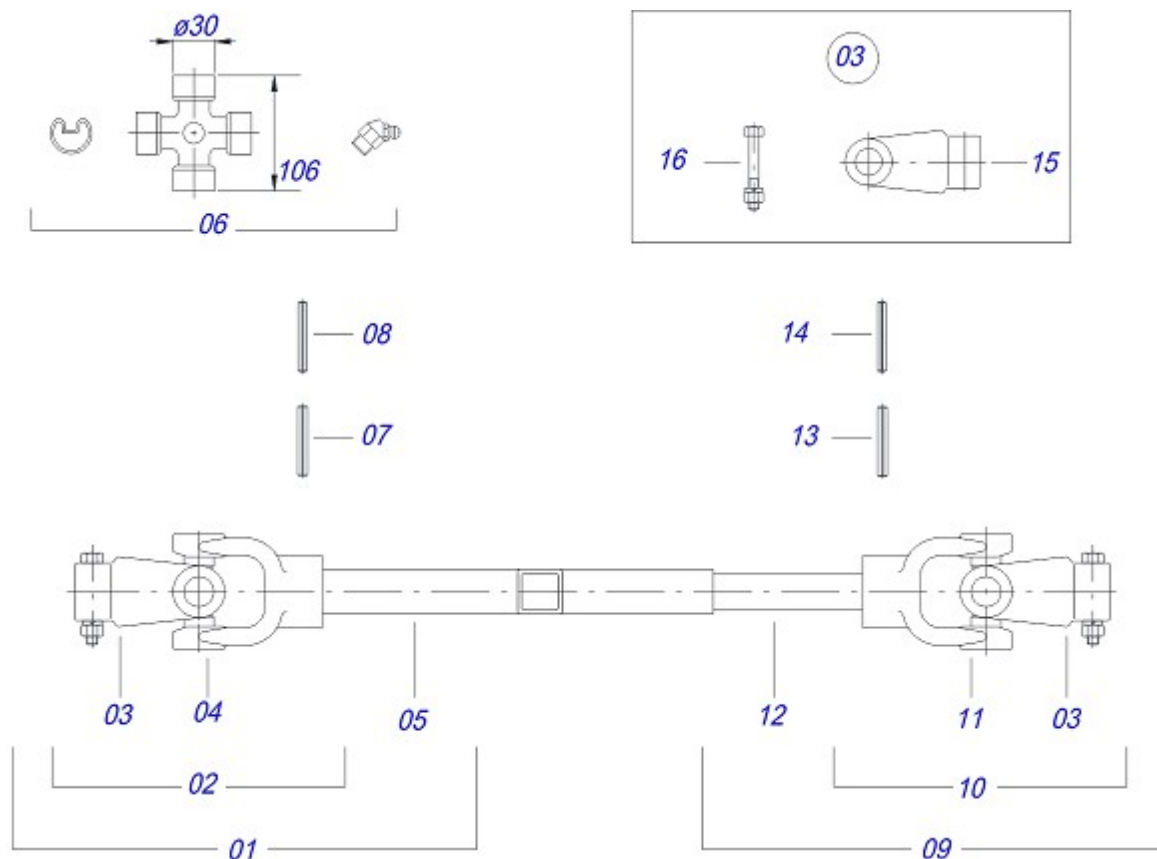
Item	Code	Description	
01	0501052523	UNIVERSAL JOINT WITH SLEEVE	01
02	0501052524	UNIVERSAL JOINT	01
03	0503012609	2.1" X 2.0" X 35" TRIAN FEMALE TUB	01
04	0503010843	0.4" X 3.3" ELASTIC PIN	01
05	0503011878	0.2" X 3.3" ELASTIC PIN	01
06	0503012075	PROTECTION FOR UNIV JOINT AND SLEEV	01
07	0501052550	T10-20 TERMINAL WITH SCREW	01
07a	0502010886	10-20 TERMINAL	01
07b	0503011148	3/8" X 1/2" BOLT	01
08	0503012610	1.8" X 1.7" X 35" TRIAN MALE TUB	01
09	0503011069	0.4" X 2.8" ELASTIC PIN	01
10	0503011805	0.2" X 2.8" ELASTIC SPRING PIN	01
11	0501052554	UNIVERSAL JOINT WITH SHAFT/PROT	01
12	0503012600	T3-60/CI52 TERMINAL	01
13	0503010837	CARDAN CROSSPIECE	01
14	0501052553	UNIVERSAL JOINT WITH CROSS/SHAFT	01
15	0503012076	PROTECTION FOR UNIV JOINT AND AXLE	01
16	0503012023	CHAIN FOR UNIV JOINT PROTECTION	02
17	0501049150	90 KGM FRICTION	01



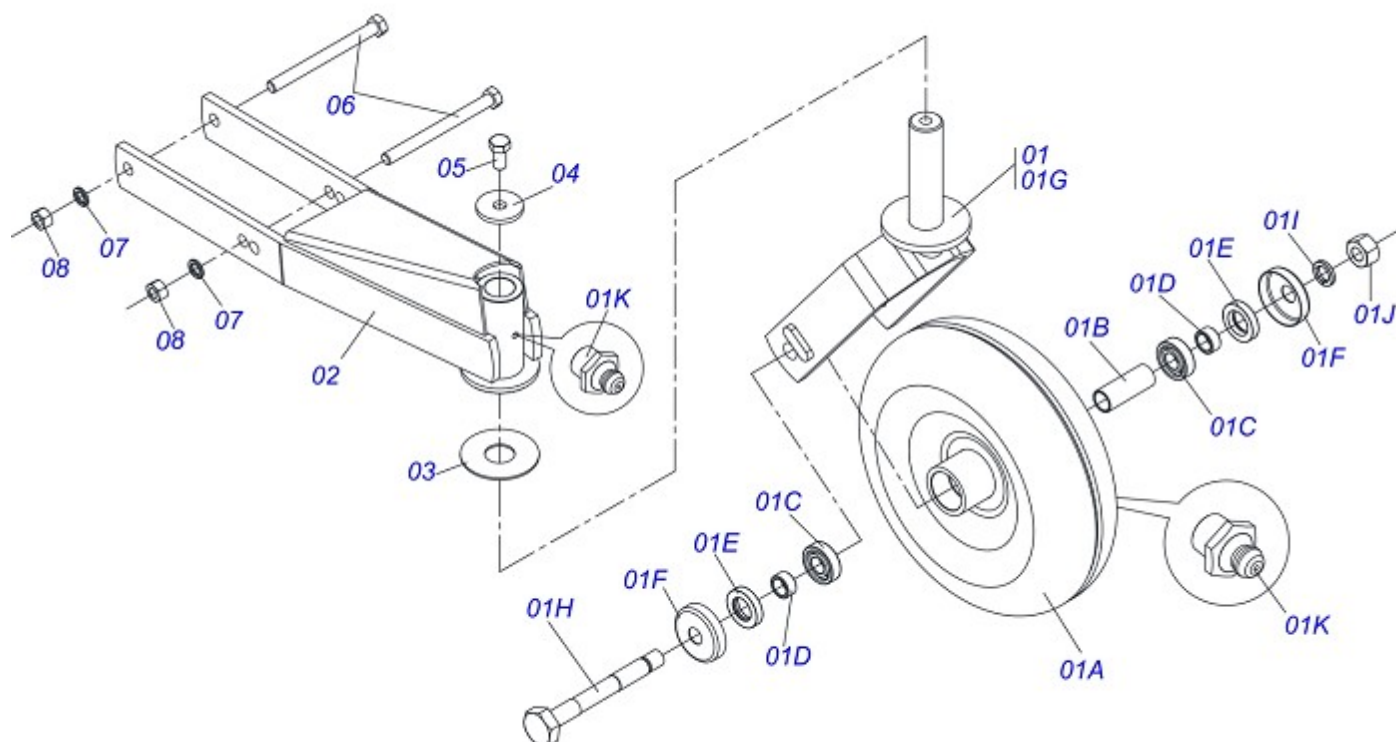
Item	Code	Description	
01	0503031588	FRONT FLANGE	01
02	0503011869	CENTRAL FLANGE	01
03	0503011870	REAR FLANGE	01
04	0503031474	INNER FRICTION DISC	01
05	0503031478	OUTER FRICTION DISC	01
06	0503030630	1.02"X1.3"X0.2" COMPRESSION SPRING	08
07	0511017302	ARANDELA PLANA 13.5 X 32.5 X 3.00	08
08	0503011336	1/2" HEX SELF ADJUSTING NUT	08
09	0503010752	1/2" X 3-1/2" BOLT	08
10	0503010741	1/2" X 2-3/4" BOLT	02
11	0503010019	ARANDELA PRESIÓN 1/2"	02
12	0503010060	TUERCA 1/2" UNC	02

DRIVE SHAFT

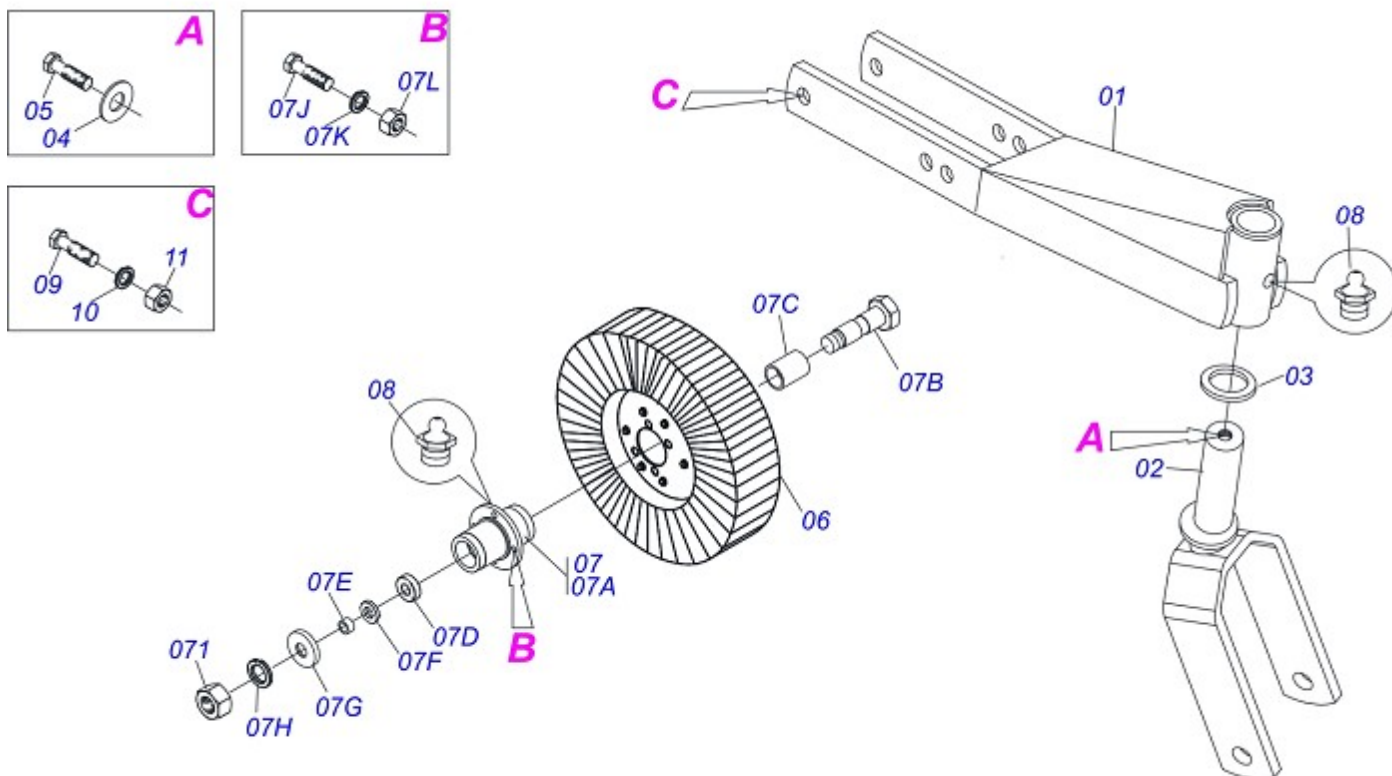
0501045888



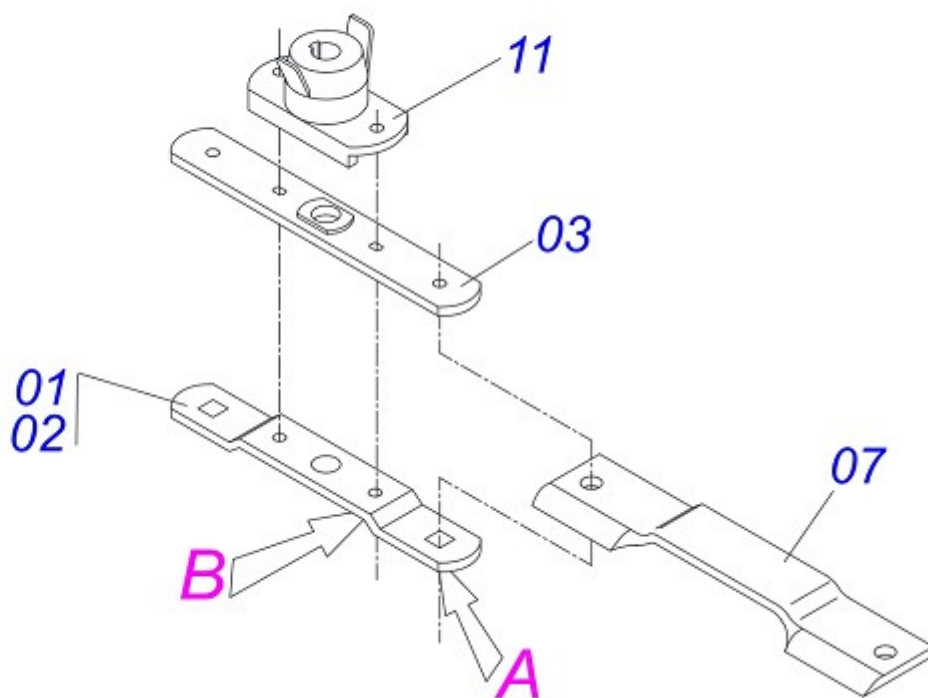
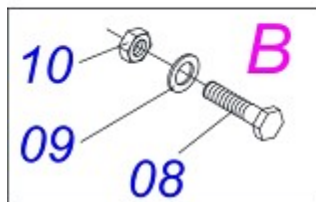
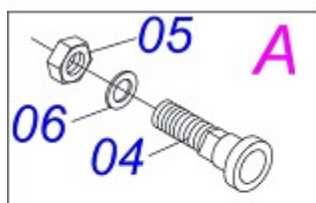
Item	Code	Description	
00	0501045888	DRIVE SHAFT	01
01	0501050873	UNIVERSAL JOINT WITH SLEEVE	01
02	0501050390	UNIVERSAL JOINT	01
03	0501052516	T6-60 TERMINAL WITH SCREW	02
04	0502010570	2-60 TERMINAL W/ SH 1.8"/1.8"	01
05	0511017082	12" X 1.5" SQUARE SLEEVE	01
06	0503010837	CARDAN CROSSPIECE	02
07	0503010843	0.4" X 3.3" ELASTIC PIN	01
08	0503011878	0.2" X 3.3" ELASTIC PIN	01
09	0501050874	UNIVERSAL JOINT WITH SHAFT	01
10	0501050388	UNIVERSAL JOINT	01
11	0502010571	3-60 TERMINAL W/ SH 1.43"/1.43"	01
12	0511017083	1.4" X 12" SQUARE SHAFT	01
13	0503011069	0.4" X 2.8" ELASTIC PIN	01
14	0503011805	0.2" X 2.8" ELASTIC SPRING PIN	01
15	0502010830	6-60 STRIATED 1.3/8" TERMINAL	01
16	0501047759	1/2" X 3-1/2" BOLT ASSY	02



Item	Code	Description	
01	0501058460	CARRYING WHEELS FORK	01
01A	0501063309	13.8" X 4.33" WHEEL ASSY	01
01B	0521010460	0.9" X 1.1" X 2.9" SLEEVE	01
01C	0503010269		02
01D	0521010487	SPACER WASHER	02
01E	0503010268	00262-B SEAL	02
01F	0511014254	DOOR HOSE	02
01G	0501065266	WHELL FORK	01
01H	0501017143	WHEEL AXLE	01
01I	0503010023	ARANDELA PRESION 3/4"	01
01J	0503010014	TUERCA 3/4" UNC	01
01K	0503010002	GRASERA 1800	02
02	0501069375	WHEEL SUPPORT	01
03	0511013239	FLAT WASHER	01
04	0511010721	FLAT WASHER	01
05	0503010962	PARAFUSO 5/8 UNC X 1.1/4 CS	01
06	0503010795	5/8" X 7" BOLT	02
07	0503010027		02
08	0503010013	TUERCA 5/8" UNC	02



Item	Code	Description	
01	0501043642	RUBBER WHEEL ASSY RC 3100	01
01A	0501069375	WHEEL SUPPORT	01
02	0501065266	WHELL FORK	01
03	0511013239	FLAT WASHER	01
04	0511010721	FLAT WASHER	01
05	0503010962	PARAFUSO 5/8 UNC X 1.1/4 CS	01
06	0501050433	TIRE WHELL	01
07	0501051587	WHEELS BOX ASSY	01
07A	0502011286	WHEELS BOX ASSY	01
07B	0501017143	WHEEL AXLE	01
07C	0521010460	0.9" X 1.1" X 2.9" SLEEVE	01
07D	0503010269		02
07E	0521010487	SPACER WASHER	02
07F	0503010689	SEAL 00763-BR	02
07G	0511011001	DUST CLOAK	01
07H	0503010023	ARANDELA PRESION 3/4"	01
07I	0503010014	TUERCA 3/4" UNC	04
07J	0501010080	3/8" X 1-1/2" BOLT	04
07K	0503010025		04
07L	0503010026		02
08	0503010002	GRASERA 1800	01
09	0503010795	5/8" X 7" BOLT	02
10	0503010027		02
11	0503010013	TUERCA 5/8" UNC	02



Item	Code	Description	QT
01	0501056326		01
02	0561017368		01
03	0561017308		01
04	0511819000	FASTERNER ROCADORES	02
05	0503010812		02
06	0503011447		02
07	0622400057		02
08	0503010901	TORNILLO 3/4"UNC X3.1/2"	02
09	0503010023	ARANDELA PRESION 3/4"	02
10	0503010014	TUERCA 3/4" UNC	02



MARCHESAN

MARCHESAN IMPLEMENTOS E MÁQUINAS AGRÍCOLAS TATU S.A.

AV. Marchesan, 1979 - Post office box, 131 - CEP 15994-900 - Matão - SP - Brazil

Phone +55 16.3382-8282

(FAX Parts) + 55 16.3382. 8297 - (Export) + 55 16.3382.1003

e.mail: tatu@marchesan.com.br www.marchesan.com.br

*Drafting and Illustration = GASPARI
e.mail = jgaspari@marchesan.com.br*

**ORIGINAL PARTS
TATU**



MARCHESAN