

PARTS CATALOG

FRONT LOADER

JD 6415CL/6110/6125EJ SHT
BT/SHT S-0905

Code: 0501091472



Series: S-0905

Review: NOVEMBRO/15

ORIGINAL PARTS
TATU

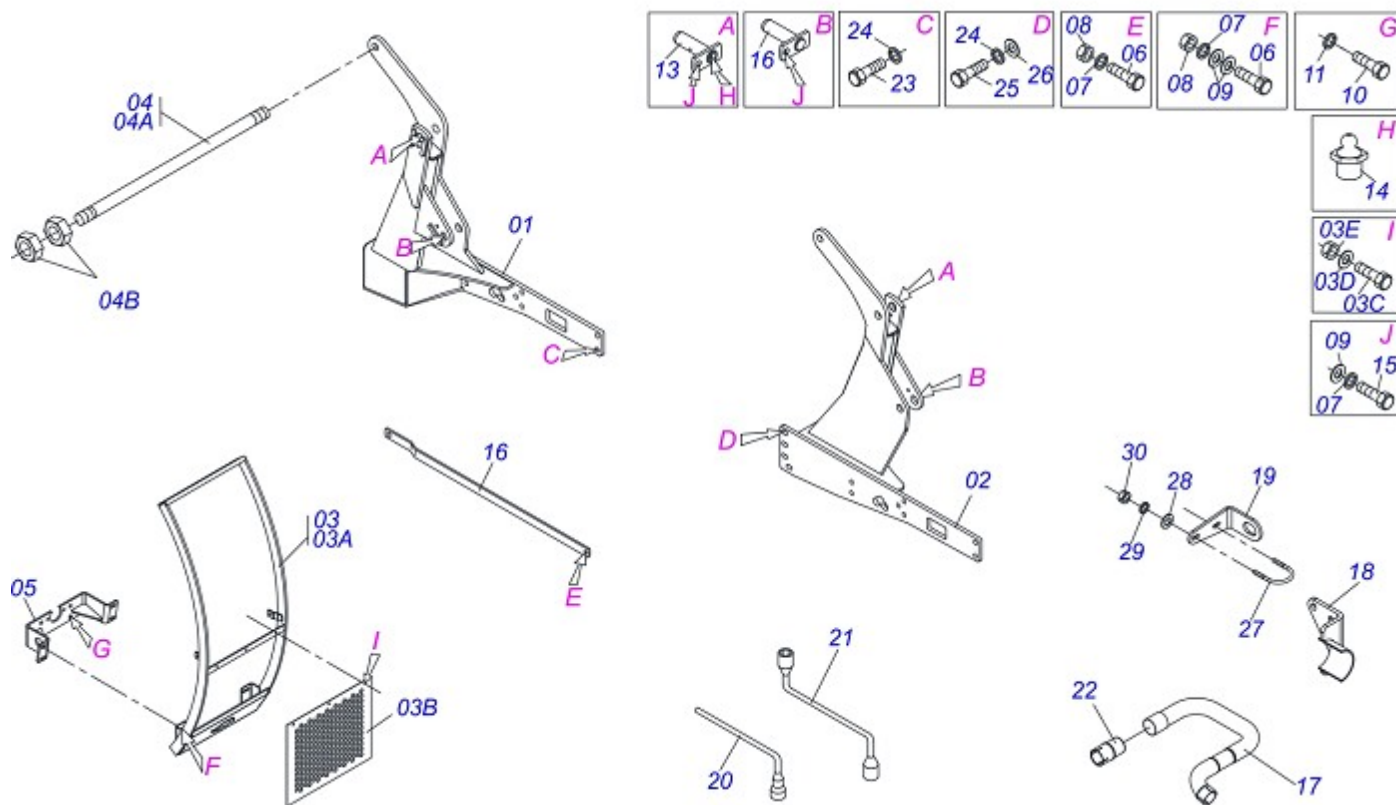


INDEX

0909090749	CHASSI JD 6415CL/6110/6125EJ SHT BT S-0905	1
0909090748	SUPT.MOVEL JD 6415CL/6110/6125EJ SHT BT S-0905	2
0909090750	CIRC.HIDR.JD 6415CL/6110/6125EJ BT S-0905	3
0909090751	CIRC.HIDR.JD 6415CL/6110/6125EJ SHT S-0905	4
0501044366	44,45 X 85,7 X 955 HYDR CYLINDER	5
0501044367	HYDRAULIC CYLINDER	6

ATTENTION: IMPORTANT

MARCHESAN RESERVES THE RIGHT AT ANY TIME TO MAKE IMPROVEMENTS IN THE DESIGN, MATERIAL OR SPECIFICATIONS OF MACHINERY, EQUIPMENT OR PARTS WITHOUT THEREBY BECOMING LIABLE TO MAKE SIMILAR CHANGES IN MACHINERY, EQUIPMENT OR PARTS PREVIOUSLY SOLD.



Item	Code	Description	QT
01	0511067195	RIGHT FRAME PD JD 6415-4 BT SC	01
02	0511067197	LEFT FRAME PD JD 6415-4 BT SC	01
03	0511049956	MOBILE SUPPORT GUIDE ASSY	01
03A	0521062696		01
03B	0501017431	FRONT PROTECTION	01
03C	0503010751		03
03D	0501010984		03
03E	0503010026	3/8" NUT	03
04	0501041849	1.1/4" NC X 910 ROD	01
04A	0501014914	1.1/4" X 910 ROD	01
04B	0501010087	1.1/4" UNC NUT	04
05	0511067204		01
06	0501010100	5/8" X 2" BOLT	08
07	0503010027	5/8" SPRING WASHER	12
08	0503010013	5/8" NUT	08
09	0501012140	FLAT WASHER	10
10	0503013111	M20 X 2.5" BOLT	04
11	0503010023	3/4" SPRING WASHER	04
12	0541019129		02
13	0501063751	1.5" X 5.5" PIVOT SHAFT	02
14	0503010002	GREASE FITTING	02
15	0503010962	PARAFUSO 5/8 UNC X 1.1/4 CS	04
16	0501063959	PIVOT SHAFT	02
17	0503032722		01
18	0521062065	FIXER SUPPLEMENT	01
19	0561011047		01
20	0501061617	1" WRENCH CYLINDRICAL HEX	01
21	0501068213	5/8" WRENCH DOUBLE	01
22	0571014730		01
23	0503013103	M20 X 3.5" BOLT	10
24	0503010023	3/4" SPRING WASHER	14
25	0503013390	3/4" UNC BOLT	08
26	0501010574	FLAT WASHER	04



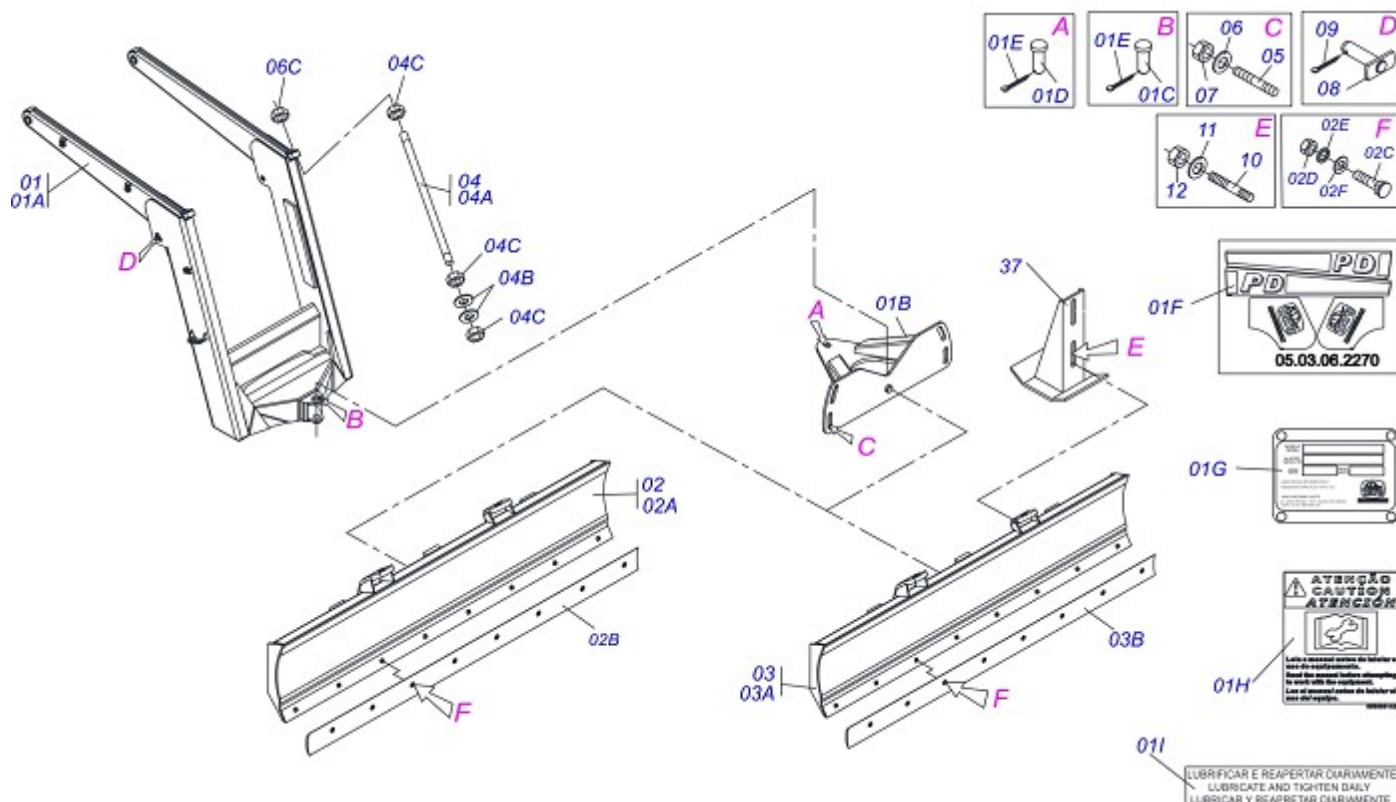
JD 6415CL/6110/6125EJ SHT BT/SHT S-0905

Page 1

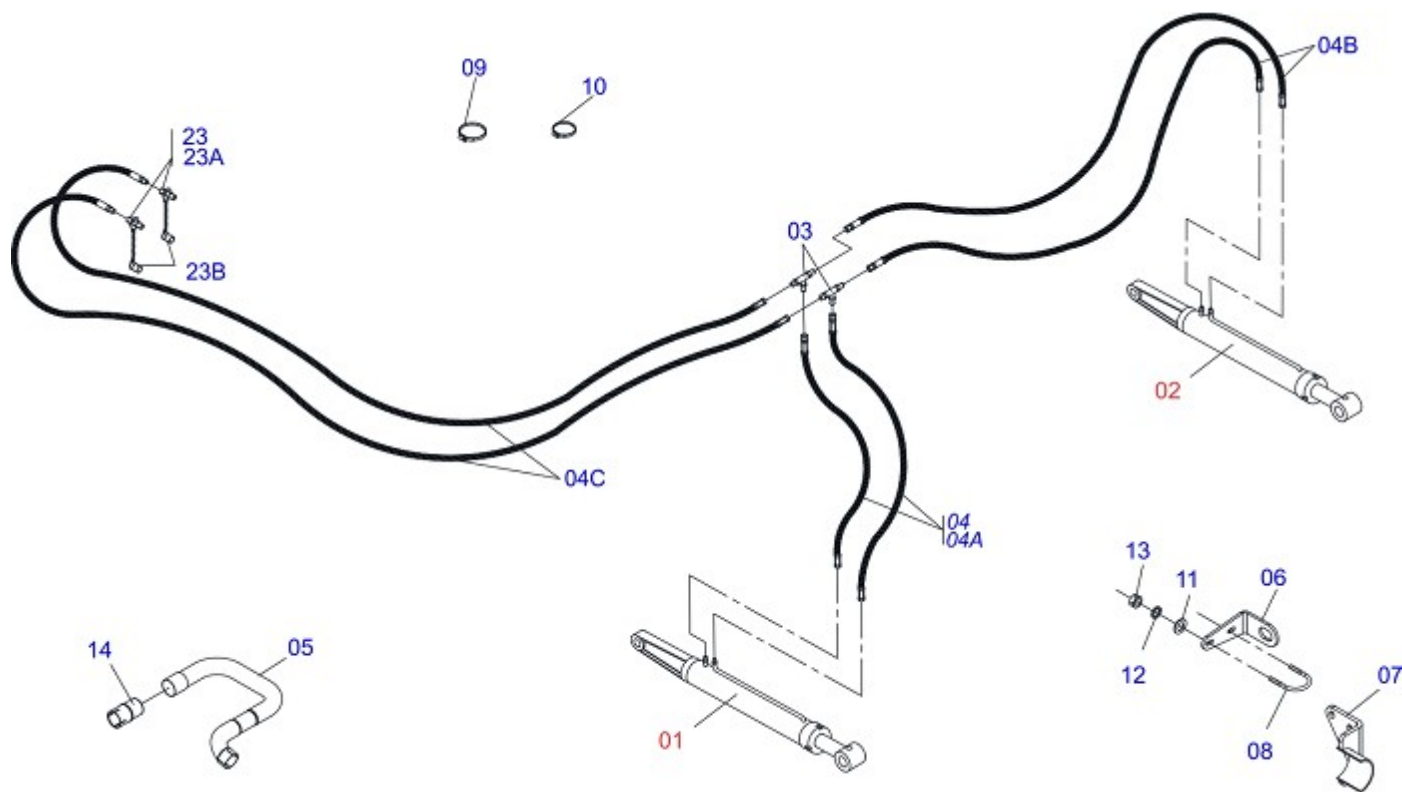
CHASSI JD 6415CL/6110/6125EJ SHT BT S-0905

0909090749

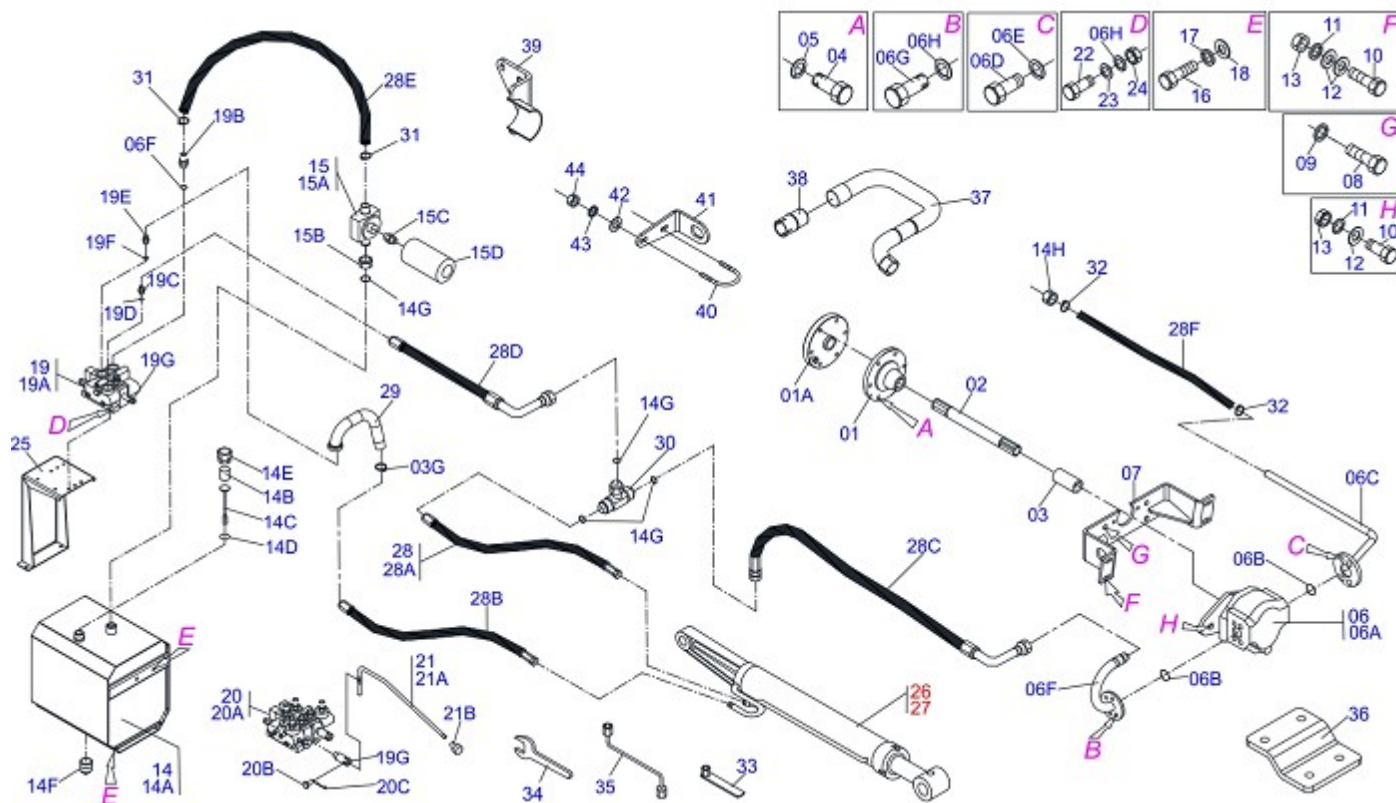
Item	Code	Description	QT
27	0561011121	CLAMP	04
28	0501010984		02
29	0503010025	3/8" SPRING WASHER	02
30	0503010026	3/8" NUT	02



Item	Code	Description	QT
00	0909090748	SUPT.MOVEL JD 6415CL/6110/6125EJ SHT BT	01
01	0521040730		01
01A	0521062944		01
01B	0501062637	5/8" REGULATOR SUPPORT	01
01C	0521010618	1.4" X 8.6" COUPLING SHAFT	01
01D	0521010612	1.4" X 3.5" COUPLING SHAFT	01
01E	0503010010	1/4" X 2.1/2" COTTERPIN	02
01F	0503062270	SET LABEL ADHESIVE	01
01G	0503034003		01
01H	0503031428	ADHESIVE LABEL ATTENTION	01
01I	0503031827	ADHESIVE LABEL	01
02	0501047708	2400 BLADE SUPPORT	01
02A	0501067999	2390 BLADE SUPPORT	01
02B	0622360016	94.5" SCRAPER REVERSIBLE	08
02C	0501012240	5/8" X 2-1/2" BOLT	08
02D	0503010013	5/8" NUT	08
02E	0503010027	5/8" SPRING WASHER	08
02F	0501012140	FLAT WASHER	08
03	0501047710	2600MM BLADE SUPPORT ASSY	01
03A	0501068001	2590MM BLADE SUPPORT ASSY	01
03B	0622360011	2600 SCRAPER REVERSIBLE	01
04	0501041427	1.1/4" NC X 1540 ROD	02
04A	0501014250	1.1/4" X 1540 ROD	02
04B	0502012180	CONICAL SPRING WASHER	04
04C	0501010087	1.1/4" UNC NUT	08
05	0561016755	PRISONER 1 UNC X 1 UNC X 76 ZN	04
06	0501010574	FLAT WASHER	04
07	0501010059	1" NUT HEX	04
08	0521063354	COUPLING SHAFT	02
09	0503010534	3/8" X 2-1/2" COTTERPIN	02
10	0561016756	3/4 UNC X 3/4 UNC X 56 PRISONER	04
11	0501010322	FLAT WASHER	04
12	0503010014	3/4" NUT	04



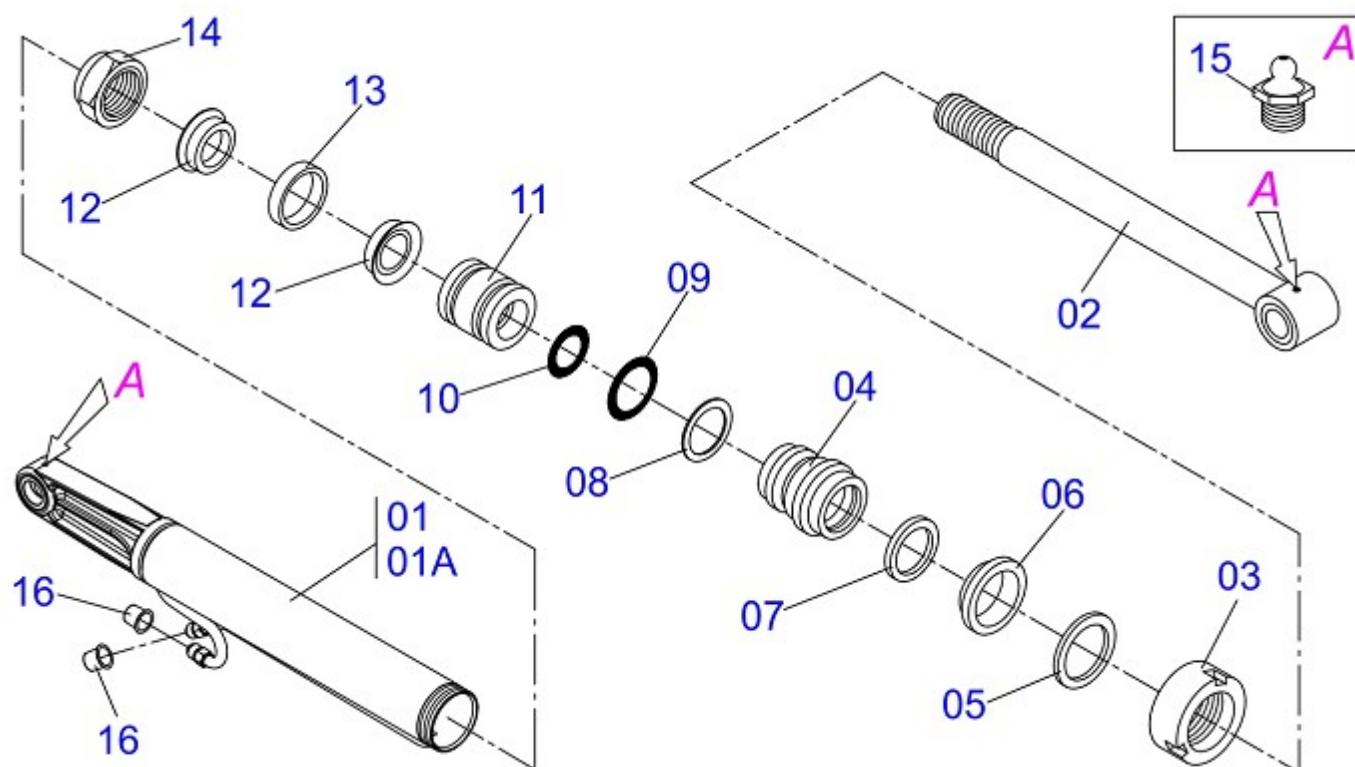
Item	Code	Description	QT
00	0909090750	CIRC.HIDR.JD 6415CL/6110/6125EJ BT S-0905	01
01	0501044366	44,45 X 85,7 X 955 HYDR CYLINDER	01
02	0501044367	HYDRAULIC CYLINDER	01
03	0501068942	"T" CONNECTION NIPPLES	02
04	0501056781		01
04A	0501080195	HOSE 1/2 X 950	02
04B	0501080168		02
04C	0501080245		02
05	0503032722		01
06	0521062065	FIXER SUPPLEMENT	01
07	0561011047		01
08	0561011121	CLAMP	04
09	0503011266	CLAMP 2.1/4" A 3" 57-76	01
10	0503010246	2" TO 2/1/2" CLAMP	02
11	0501010984		02
12	0503010025	3/8" SPRING WASHER	02
13	0503010026	3/8" NUT	02
14	0571014730		01



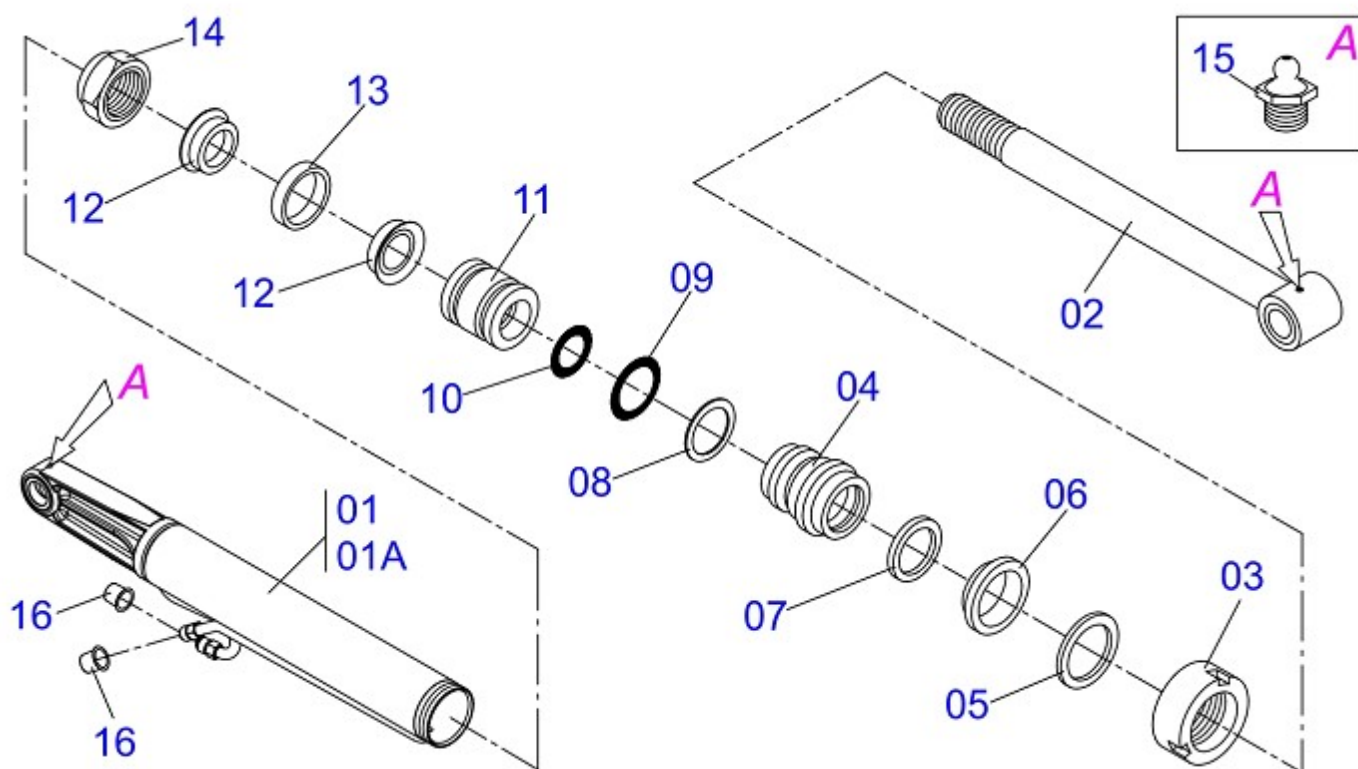
Item	Code	Description	QT
01	0501067343	COUPLING FLANGE	01
01A	0501058142		01
02	0501068929		01
03	0503030838	1-1/8" X 2.4" SLEEVE	01
04	0503010729	M10 X 1" BOLT	06
05	0503010180	7/16" SPRING WASHER	06
06	0511047590		01
06A	0503061770	PUMP WITH TUBE	01
06B	0503010173	2-220 N 3006-9B O'RING	02
06C	0521060199		01
06D	0503010355	7/16" X 1" BOLT	04
06E	0503011446		04
06F	0511067176	PUMP PRESSURE TUBE	01
06G	0503010237	3/8" X 1" BOLT	04
06H	0503011443		07
07	0511067204		01
08	0503013111	M20 X 2.5" BOLT	04
09	0503010023	3/4" SPRING WASHER	04
10	0501010100	5/8" X 2" BOLT	04
11	0503010027	5/8" SPRING WASHER	04
12	0501012140	FLAT WASHER	04
13	0503010013	5/8" NUT	04
14	0501049879	RESERVOIR OIL ASSY	01
14A	0511063248	RESERVOIR OIL	01
14B	0503030044	FILTERING ELEMENT	01
14C	0501060975	OIL GAGE	01
14D	0503010185	2-221 N 3006-9B O'RING	01
14E	0502020472	TANK COVER BODY	01
14F	0503031604	1/2" BSP PLUG	01
14G	0503010046	2-216 N 3006-9B O'RING	01
14H	0501016309	2" 1X 2.5/16" NUT	01
15	0501041108	RETURNING FILTER ASSY	01
15A	0502050002	RETURNING FILTER HEAD	01



Item	Code	Description	QT
15B	0501010594	1" NUT HEX	01
15C	0501010595	1" NF NIPPLE	01
15D	0503010183	RETURNING FILTER	01
16	0501010161	1/2" X 1-1/4" BOLT	04
17	0503010019	1/2" SPRING WASHER	04
18	0511017302	FLAT WASHER	04
19	0501040871	1/2" COMMAND SIMPLE ASSY	01
19A	0503060080	1/2" COMMAND SIMPLE	01
19B	0501010591	HOSE NIPPLE	01
19C	0501010589	1-1/16 NIPPLE	01
19D	0503010602	2-211 N 3006-9B O'RING	02
19E	0501010590	7/8" HEX NIPPLE	02
19F	0503010045	2-116 N 3006-9B O'RING	02
19G	0503030347	UPPER LEVER ASSY (SAUER DANFOSS)	01
20	0501059952		01
20A	0503060016	1/2"DOUBLE COMMAND	01
20B	0521010533	0.3" X 1" COUPLING SHAFT	02
20C	0503010140		02
21	0501047446	CONTROL VALVE (P/COM 1/2 PCA)	02
21A	0501068681	1/2" CONTROL VALVE	02
21B	0503030878	LEVER CRANK	02
22	0501010080	3/8" X 1-1/2" BOLT	03
23	0501010984		03
24	0503010026	3/8" NUT	03
25	0561011046		01
26	0501044366	44,45 X 85,7 X 955 HYDR CYLINDER	01
27	0501044367	HYDRAULIC CYLINDER	01
28	0501058701		01
28A	0501080195	HOSE 1/2 X 950	02
28B	0501080037		02
28C	0501080060	HOSE 1500 MM	02
28D	0501081338		01
28E	0501019999	1" X 43.3" HOSE ASSY	01
28F	0501019222	HOSE 1.1/4" X 1450 AB-AB	01
29	0511067802		01
30	0501068942	"T" CONNECTION NIPPLES	02
31	0503010184	1-1/4" TO 1-1/2" CLAMP	02
32	0503010243	1-1/2" TO 2" CLAMP	02
33	0501061617	1" WRENCH CYLINDRICAL HEX	01
34	0511010153	2-5/16" FIXED WRENCH	01
35	0501068213	5/8" WRENCH DOUBLE	01
36	0561017912		01
37	0503032722		01
38	0571014730		01
39	0521062065	FIXER SUPPLEMENT	01
40	0561011121	CLAMP	01
41	0561011047		01
42	0501010984		02
43	0503010025	3/8" SPRING WASHER	02
44	0503010026	3/8" NUT	02



Item	Code	Description	QT
01	0501044366	44,45 X 85,7 X 955 HYDR CYLINDER	01
01A	0501069000	85,7" X 483" BODY RIGHT	01
02	0501068012	44,45 X 682 TURNBUCLE	01
03	0503010993		01
04	0502010781	RING SUPPORT	01
05	0503010761	D-1750 SCRAPER RING	01
06	0503010990	GASKET	01
07	0503010949	W2-2000-500 PK RING G.E	01
08	0503011060	8-336 BACK-UP RING	01
09	0503010976	2-336 N 3006-9B O'RING	01
10	0503010042	2-214 N 3006-9B O'RING	01
11	0502010843	1.8" X 3.4" PISTON	01
12	0503010170	GASKET	02
13	0503010948	W4-3346-590 PK RING G.E	01
14	0503010063	1" SELF-ALIGNING NUT	01
15	0503010002	GREASE FITTING	02
16	0503030387	PLUG	02



Item	Code	Description	QT
01	0501044367	HYDRAULIC CYLINDER	01
01A	0501069001	85,7" X 483" BODY LEFT	01
02	0501068012	44,45 X 682 TURNBUCLE	01
03	0502010993	DETACHABLE COVER	01
04	0502010781	RING SUPPORT	01
05	0503010761	D-1750 SCRAPER RING	01
06	0503010990	GASKET	01
07	0503010949	W2-2000-500 PK RING G.E	01
08	0503011060	8-336 BACK-UP RING	01
09	0503010976	2-336 N 3006-9B O-RING	01
10	0503010042	2-214 N 3006-9B O-RING	01
11	0502010843	1.8" X 3.4" PISTON	01
12	0503010170	GASKET	02
13	0503010948	W4-3346-590 PK RING G.E	01
14	0503010063	1" SELF-ALIGNING NUT	01
15	0503010002	GREASE FITTING	02
16	0503030387	PLUG	02



MARCHESAN

MARCHESAN IMPLEMENTOS E MÁQUINAS AGRÍCOLAS TATU S.A.

AV. Marchesan, 1979 - Post office box, 131 - CEP 15994-900 - Matão - SP - Brazil

Phone +55 16.3382-8282

(FAX Parts) + 55 16.3382. 8297 - (Export) + 55 16.3382.1003

e.mail: tatu@marchesan.com.br www.marchesan.com.br

*Drafting and Illustration = GASPARI
e.mail = jgaspari@marchesan.com.br*

**ORIGINAL PARTS
TATU**



MARCHESAN