

PARTS CATALOGUE



PD - FRONT LOADER

Code:

0501091471

Product:

PD VALTRA BH 145/185-4 SHT BT CD CS SC



Series:

S-0907

Revision:

00

Date Revision:

SETEMBRO/2015



PRODUCTS

Code	Description
0106020351	PD VTR BH145A185-4GAL SHTCD S-0907
0106020403	PD VTR BH145A185-4GAL SHTCTSL S0907
0106020354	PD VTRBH145A185-4GAL SHTCDSL S-0907

ATTENTION: IMPORTANT

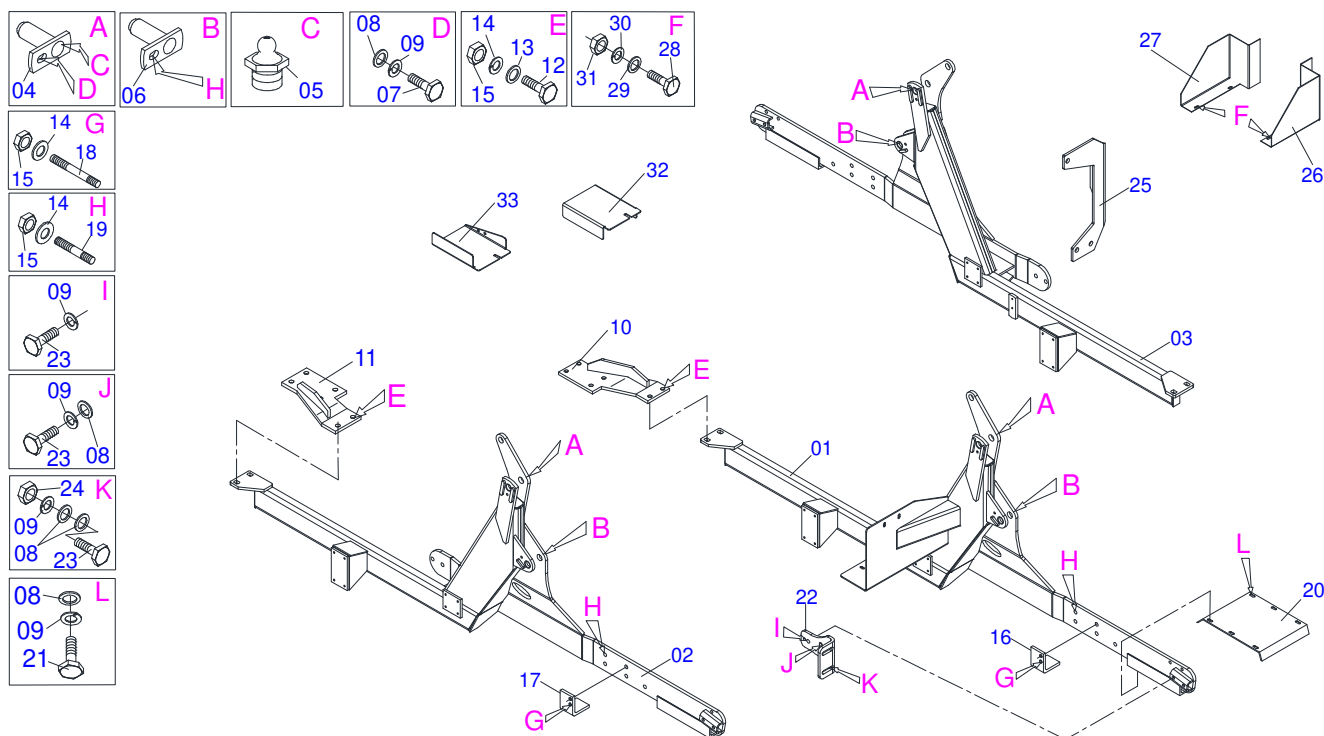
Marchesan S.A. reserves the right to improve and / or modify the technical features of its products, without obligation to do the same with those products already sold and without prior knowledge of the dealer or the consumer.



MARCHESAN

INDEX

0909090743	CHASSI VTR 145A185-4 BT/SHT-S-0907	1
0909090740		2
0909090744	CIRC.HIDR.VTR BM 145A185-4 BT/SHT-S-0907	3
0909090745	CIRC.HIDR.VTR BM 145A185-4 BT/SHT CARDAN S-0907	4
0909090747	CIRC.HIDR.VTR BM 145A185-4 BT S-0907	5
0909090746		6



Item	Code	Description	See page	QT
01	0511069058		01	01
02	0511069059		01	01
03	0511069061		01	01
04	0501063751	1.5" X 5.5" PIVOT SHAFT	02	02
05	0503010002	1800 GREASE FITTING	02	02
06	0501063959	PIVOT SHAFT	02	02
07	0503010962	5/8" X 1-1/4" BOLT	06	06
08	0501012140	FLAT WASHER	12	12
09	0503010027	5/8" SPRING WASHER	12	12
10	0501064839	RH FRAME BRACKET	01	01
11	0501064840	LH FRAME BRACKET	01	01
12	0501010500	3/4"X3"BOLT	04	04
13	0501010322	FLAT WASHER	12	12
14	0503010023	3/4" SPRING WASHER	08	08
15	0503010014	3/4" NUT	04	04
16	0511014395	FRONT AXLE BEATER	01	01
17	0511014396	FRONT AXLE BEATER	01	01
18	0511014160	3/4" X 4.52" STUD	04	04
19	0501010603	3/4" X 3.74" STUD	10	10
20	0541017381	FRAME LOCK	01	01
21	0503011267	BOLT 5/8 UNC X 1.1/2 C S G.5 ZN	06	06
22	0571010158	FIXER GUIDE MOBILE SUPPORT	02	02
23	0501010100	SCREW 5/8 UNC X 2 CS G.5 ZN	08	08
24	0503010013	5/8" NUT	04	04
25	0551017004		01	01
26	0551017064		01	01
27	0551017065		01	01
28	0503010962	5/8" X 1-1/4" BOLT	04	04
29	0501010984	FLAT WASHER	04	04
30	0503010025	3/8" SPRING WASHER	04	04
31	0503010026	3/8" NUT	04	04
32	0551017061	RIGHT TUBE TANK OIL PROTECTION	01	01



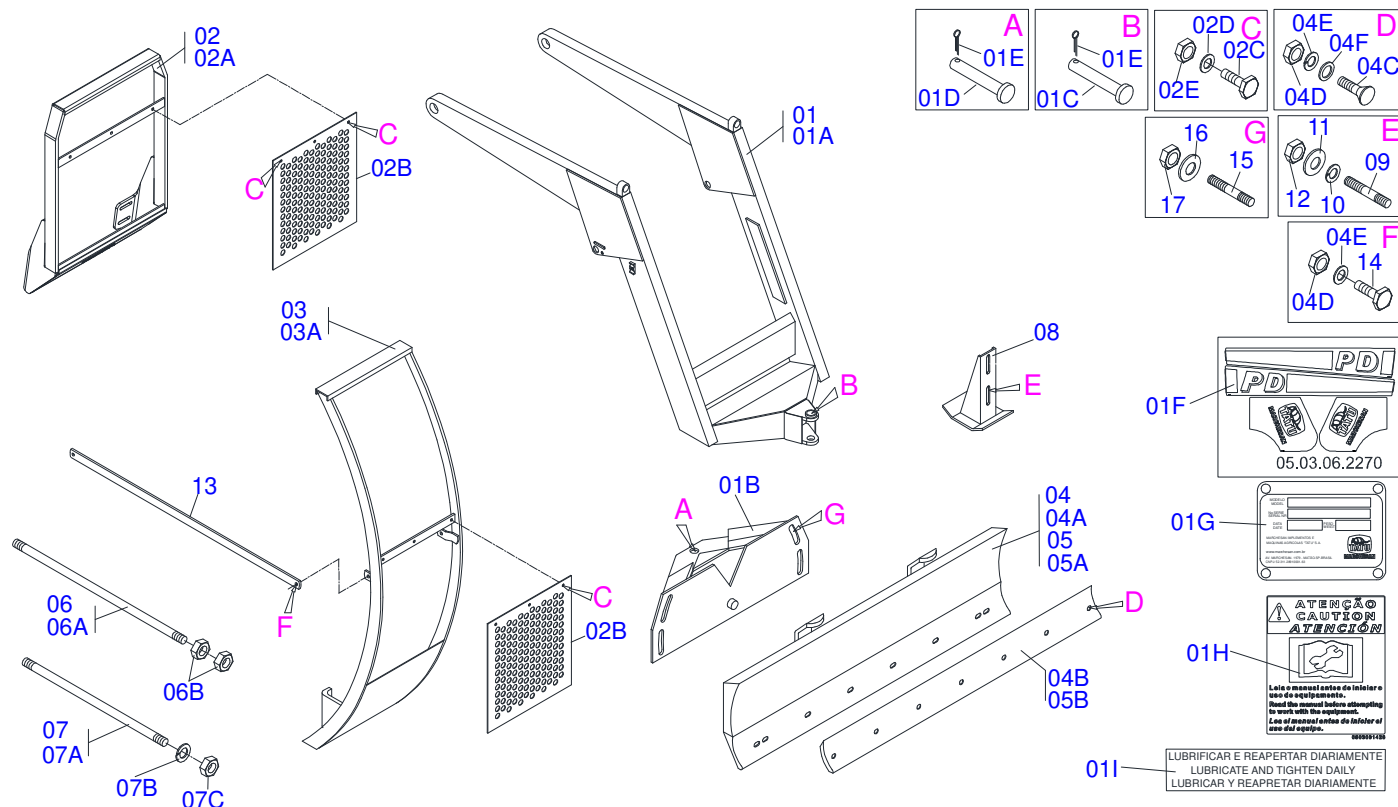
PD VALTRA BH 145/185-4 SHT BT CD CS SC

Page 1

CHASSI VTR 145A185-4 BT/SHT-S-0907

0909090743

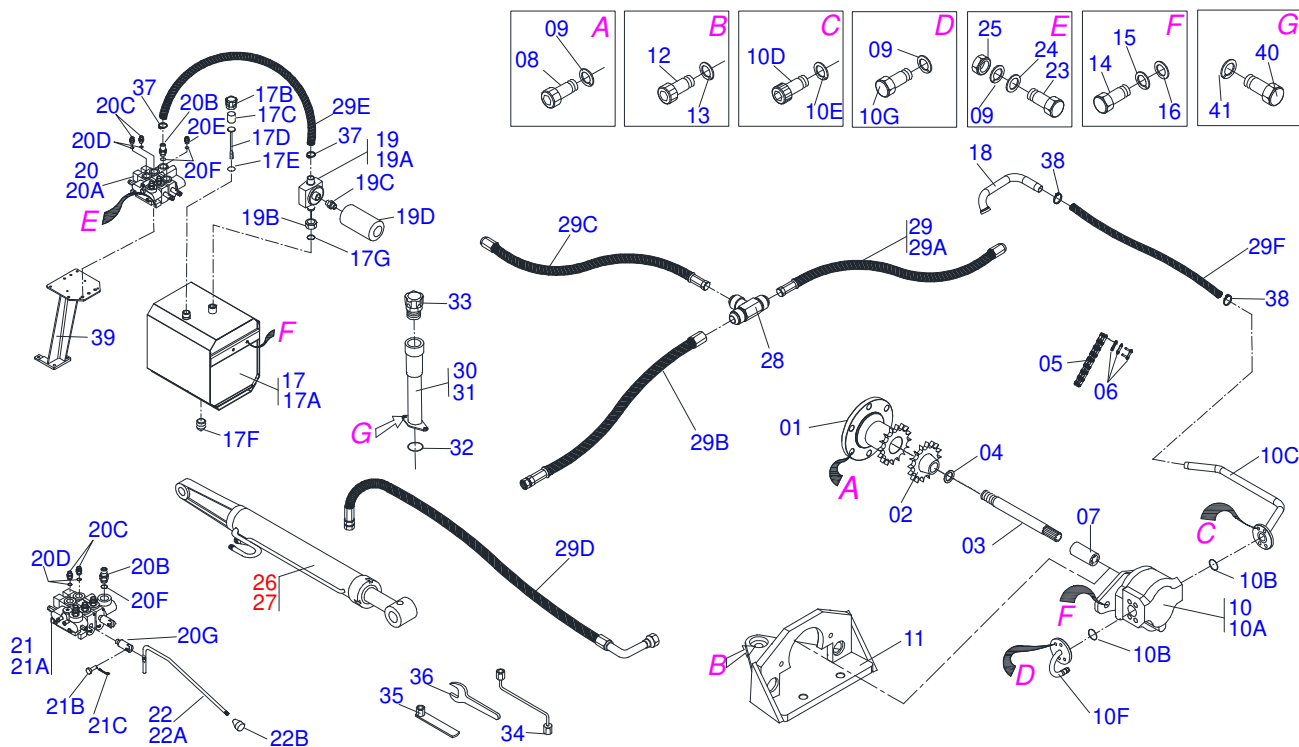
Item	Code	Description	See page	QT
33	0551017062	LEFT TUBE TANK OIL PROTECTION		01



Item	Code	Description	See page	QT
00	0909090740		2	01
01	0511046192	MOBILE SUPPORT GUIDE ASSY		01
01A	0521063345			01
01B	0501062637	5/8" REGULATOR SUPPORT		01
01C	0521010618	1.4" X 8.6" COUPLING SHAFT		01
01D	0521010612	1.4" X 3.5" COUPLING SHAFT		01
01E	0503010010	1/4" X 2.1/2" COTTERPIN		02
01F	0503062270	SET LABEL ADHESIVE		01
01G	0503034003	SERIAL NUMBER TAG 61 X 118		01
01H	0503031428	READ MANUAL DECAL		01
01I	0503031827	LUBRICATE AND RETIGHTEN DAILY DECAL		01
02	0511046439	MOBILE SUPPORT GUIDE ASSY		01
02A	0511069391	MOBILE SUPPORT GUIDE ASSY		01
02B	0501014687	FRONT PROTECTION		01
02C	0503010751	C3/8" X 1.1/4" HEX BOLT G.5		03
02D	0501010984	FLAT WASHER		03
02E	0503010026	3/8" NUT		03
03	0501049367	FULL HIGH TAB - VTR1380-4S		01
03A	0511061956	MOBILE SUPPORT GUIDE ASSY		01
03B	0501014687	FRONT PROTECTION		01
04	0501047708	2400 BLADE SUPPORT		01
04A	0501067999	2390 BLADE SUPPORT		01
04B	0622360016	94.5" SCRAPER REVERSIBLE		01
04C	0501012240	5/8" X 2-1/2" BOLT		08
04D	0503010013	5/8" NUT		08
04E	0503010027	5/8" SPRING WASHER		08
04F	0501012140	FLAT WASHER		08
05	0501047710	2600MM BLADE SUPPORT ASSY		01
05A	0501068001	2590MM BLADE SUPPORT ASSY		01
05B	0622360011	2600 SCRAPER REVERSIBLE		01
06	0501043212	ROD 1.1/4" NC X 3.818" ASSY		01
06A	0501014915	ROD 1.1/4" NC X 3.818"		01



Item	Code	Description	See page	QT
06B	0501010087	1.1/4" NUT		04
07	0501049588	1.1/4 NC X 1640 ROD		02
07A	0521018624	1.1/4 X 1640 ROD		02
07B	0502012180	CONICAL SPRING WASHER		04
07C	0501010087	1.1/4" NUT		08
08	0501063411	ESTABILIZER BRACKET		02
09	0561016756	3/4 UNC X 3/4 UNC X 56 PRISONER		04
10	0503010023	3/4" SPRING WASHER		04
11	0501010322	FLAT WASHER		04
12	0503010014	3/4" NUT		04
13	0541019767	FRENCH HAND		02
14	0501010100	SCREW 5/8 UNC X 2 CS G.5 ZN		02
15	0561016755	PRISONER 1 UNC X 1 UNC X 76 ZN		04
16	0501010574	FLAT WASHER		04
17	0501010059	1.5/8 NUT		04

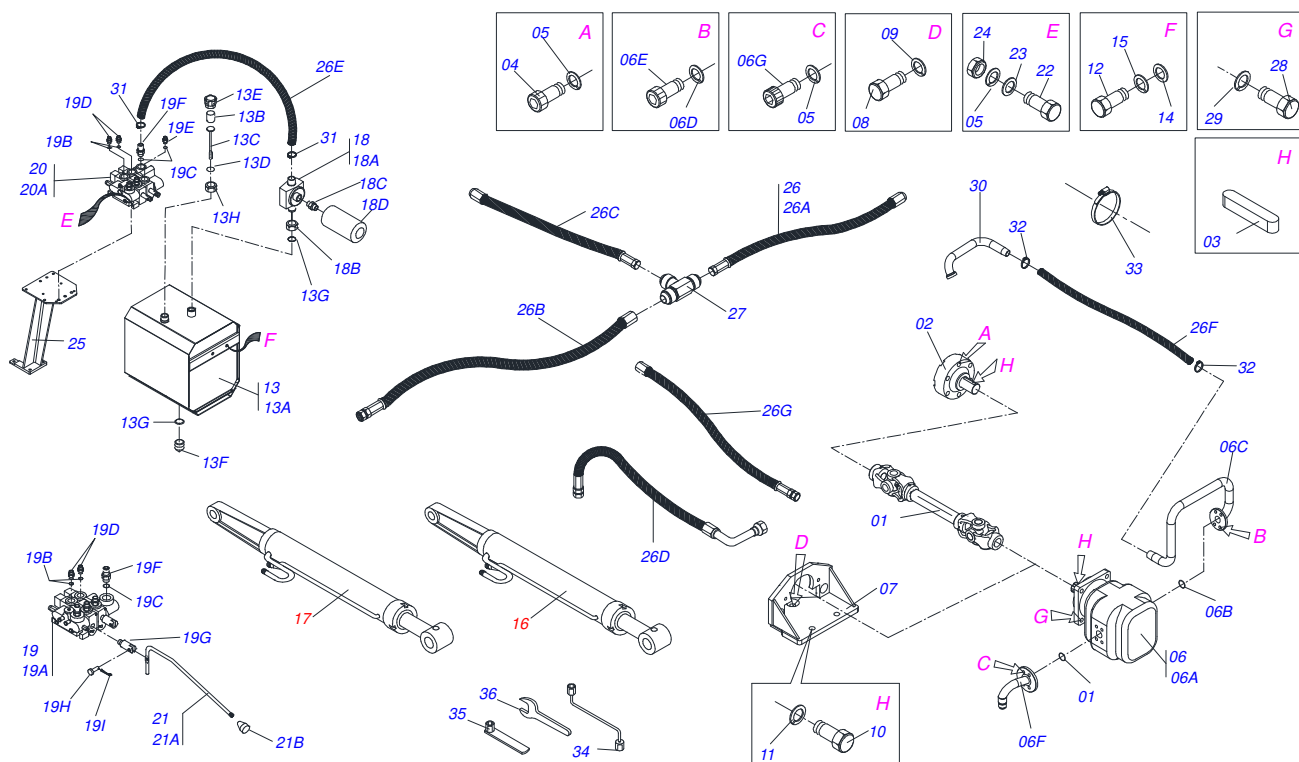


Item	Code	Description	See page	CS	CD
01	0502040772			01	01
02	0503050075	GEAR 16Z		01	01
03	0511069084			01	01
04	0501010890	FLANGE WASHER		01	01
05	0503010455	50-2 CHAIN X 15 LINK + MENDING		01	01
06	0503010560	AMENDMENT WITH LOCK		01	01
07	0503030838	1-1/8" X 2.4" SLEEVE		01	01
08	0503011313	M 8 X 1,25 X 50 BOLT		06	06
09	0503010025	3/8" SPRING WASHER		12	12
10	0511046194			01	01
10A	0503061770	PUMP WITH TUBE		01	01
10B	0503010173	2-220 N 3006-9B O'RING		02	02
10C	0501061277	PUMP SUCTION TUBE		01	01
10D	0503010355	7/16" X 1" BOLT		04	04
10E	0503010180	7/16" SPRING WASHER		08	08
10F	0511069050			01	01
10G	0503010237	3/8" X 1" BOLT		04	04
11	0511061934	PUMP SUPPORT		01	01
12	0503011167	M16 X 2 X 30 BOLT		03	03
13	0503010027	5/8" SPRING WASHER		03	03
14	0501010161	1/2" X 1.1/4" BOLT		02	02
15	0503010019	1/2" SPRING WASHER		02	02
16	0511017302	FLAT WASHER		02	02
17	0501049879	OIL RESERVOIR		01	01
17A	0511063248	OIL RESERVOIR		01	01
17B	0502020472	FRONTAL COVER		01	01
17C	0503030044	FILTERING ELEMENT		01	01
17D	0501060975	OIL GAGE		01	01
17E	0503010185	2-221 N 3006-9B O'RING		01	01
17F	0503031604	1/2" BSP PLUG		01	01
17G	0503010046	2-216 N 3006-9B O'RING		01	01
18	0501063383	TANK OUTER TUBE		01	01



PD VALTRA BH 145/185-4 SHT BT CD CS SC
CIRC.HIDR.VTR BM 145A185-4 BT/SHT-S-0907

Item	Code	Description	See page	CS	CD
19	0501041108	RETURNING FILTER ASSY		01	01
19A	0502050002	RETURNING FILTER HEAD		01	01
19B	0501010595	1" NF NIPPLE		01	01
19C	0501010595	1" NF NIPPLE		01	01
19D	0503010183	RETURNING FILTER		01	01
20	0501040871	1/2" COMMAND SIMPLE ASSY		01	00
20A	0503060080	1/2" COMMAND SIMPLE		01	00
20B	0501010591	HOSE NIPPLE		01	01
20C	0501010589	R. 1.1/16UN SEXT 1.1/4 X 52 NIPPLE		01	01
20D	0503010602	2-211 N 3006-9B O'RING		02	02
20E	0501010590	NIPPLE		02	04
20F	0503010045	O'RING		02	04
20G	0503030347	UPPER LEVER ASSY (SAUER DANFOSS)		01	02
21	0501059952	DOBLE COMMAND 1/2 HIDROV/DANFOSS ASSY		00	01
21A	0503060016	1/2"DOUBLE COMMAND		00	01
21B	0521010533	0.3" X 1" COUPLING SHAFT		00	02
21C	0503010140	1/8" X 3/4" COTTERPIN		00	02
22	0501047446	CONTROL VALVE (P/COM 1/2 PCA)		02	02
22A	0501068681	1/2" CONTROL VALVE		02	02
22B	0503030878	LEVER CRANK		02	02
23	0501010080	3/8" BOLT		02	02
24	0501010984	FLAT WASHER		02	02
25	0503010026	3/8" NUT		02	02
26	0511046144			01	01
27	0511046145			01	01
28	0503013493	T CONNECTION MALE		02	02
29	0501057943			01	01
29A	0501080185	HOSE 1/2 X 4000 TR-TM		02	02
29B	0501080021	1/2 X 1300 TR-TR HOSE ASSY		04	04
29C	0501080062	1/2 X 2000 TR-TC HOSE		02	02
29D	0501080255			01	01
29E	0551013650	1" X 1300 AB-AB HOSE ASSY		01	01
29F	0511016008	1.1/4 X 2200 AB- AB HOSE		01	01
29G	0501080120	1/2" X 400 TR-TR HOSE		01	01
30	0511051802			01	01
31	0501063350	TANK COVER EXTENSION		01	01
32	0503010141	2-226 N 3006-9B O'RING		01	01
33	0502020549	TANK COVER		01	01
34	0501068213	5/8" WRENCH DOUBLE		01	01
35	0501061617	1" GANG BOLT WRENCH		01	01
36	0511010153	2-5/16" FIXED WRENCH		01	01
37	0503010184	CLAMP		02	02
38	0503010243	CLAMP		02	02
39	0521061623	SUPPORT CONTROL VALVE		01	01
40	0503015106	5/16 UNF X 3/4 C S G.5 ZN BOLT		02	02
41	0503010179	5/16" ZN SPRING WASHER		02	02



Item	Code	Description	See page	CS CD
01	0521040135			01 01
02	0521016647	FLANGE COUPLING		01 01
03	0503031031	1/4" KEYWAY SQUARE		02 02
04	0503011313	M 8 X 1,25 X 50 BOLT		06 06
05	0503010025	3/8" SPRING WASHER		10 10
06	0511046336			01 01
06A	0503062013	H40 PUMP SHAFT 1 CHV		01 01
06B	0503010173	2-220 N 3006-9B O'RING		02 02
06C	0511069226			01 01
06D	0503010180	7/16" SPRING WASHER		04 04
06E	0503010355	7/16" X 1" BOLT		04 04
06F	0511069050			01 01
06G	0503010237	3/8" X 1" BOLT		04 04
07	0511069225			01 01
08	0503011167	M16 X 2 X 30 BOLT		03 03
09	0503010027	5/8" SPRING WASHER		03 03
10	0503013378	M16 X 2 X 50 BOLT		02 02
11	0503010019	1/2" SPRING WASHER		02 02
12	0501010161	1/2" X 1.1/4" BOLT		04 04
13	0501049879	OIL RESERVOIR		01 01
13A	0511063248	OIL RESERVOIR		01 01
13B	0503030044	FILTERING ELEMENT		01 01
13C	0501060975	OIL GAGE		01 01
13D	0503010185	2-221 N 3006-9B O'RING		01 01
13E	0502020472	FRONTAL COVER		01 01
13F	0503031604	1/2" BSP PLUG		01 01
13G	0503010046	2-216 N 3006-9B O'RING		01 01
13H	0501016309	2" 1X 2.5/16" NUT		01 01
14	0511017302	FLAT WASHER		04 04
15	0503010019	1/2" SPRING WASHER		04 04
16	0511046144			01 01
17	0511046145			01 01

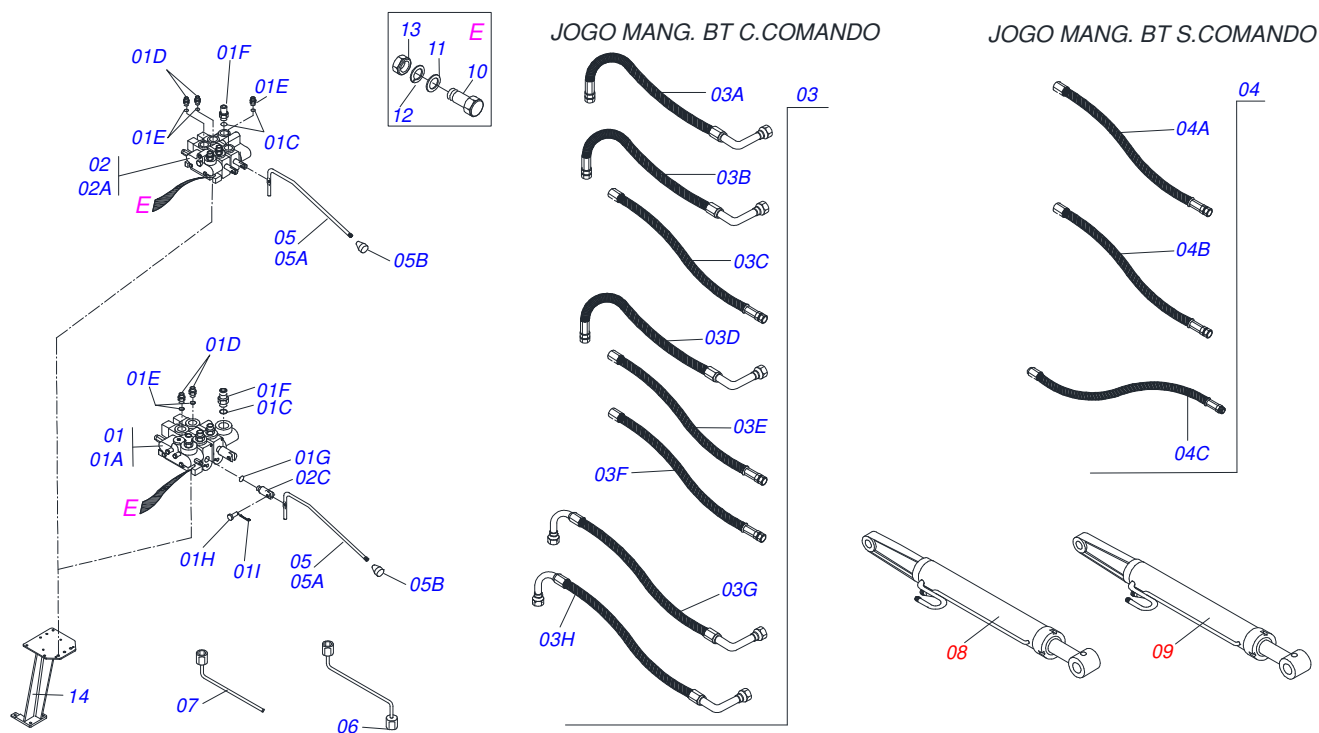


PD VALTRA BH 145/185-4 SHT BT CD CS SC
CIRC.HIDR.VTR BM 145A185-4 BT/SHT CARDAN S-0907

Page 4

0909090745

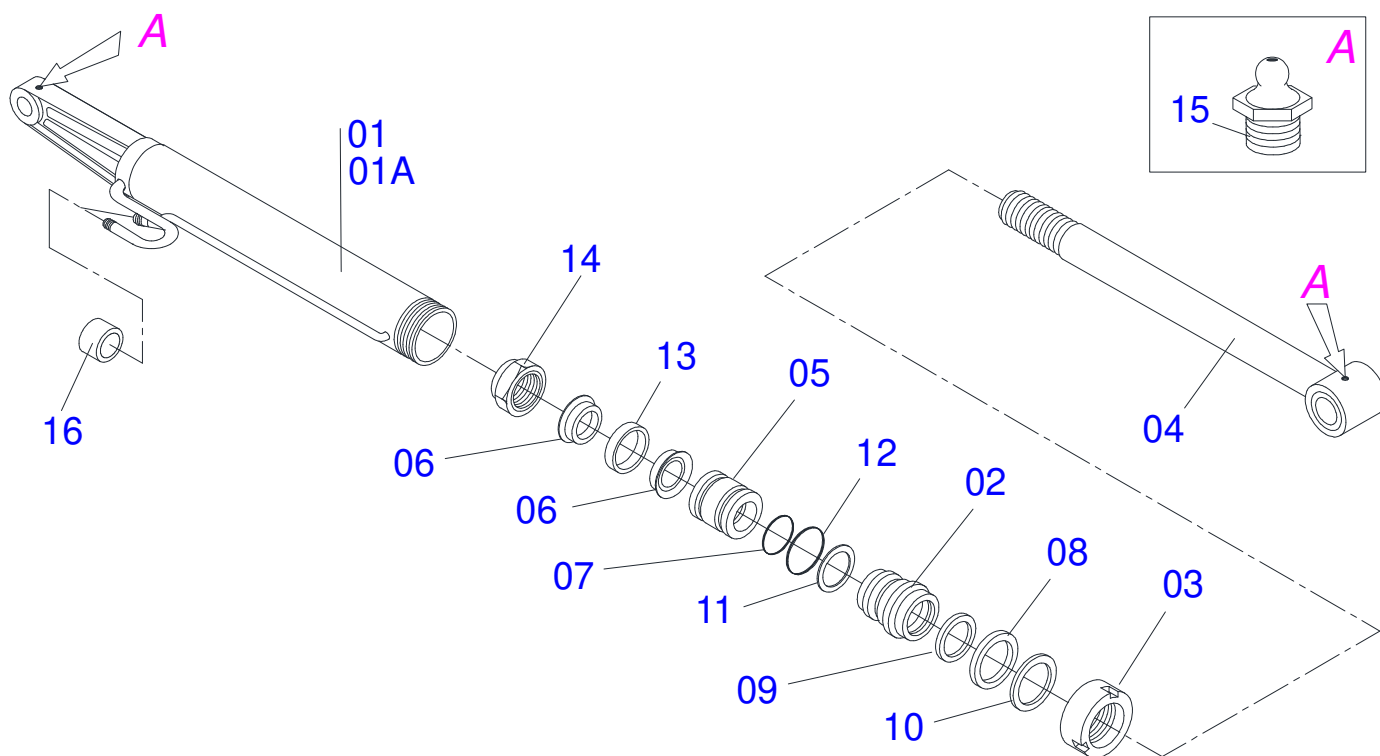
Item	Code	Description	See page	CS	CD
18	0501041108	RETURNING FILTER ASSY		01	01
18A	0502050002	RETURNING FILTER HEAD		01	01
18B	0501010594	1" NUT		01	01
18C	0501010595	1" NF NIPPLE		01	01
18D	0503010183	RETURNING FILTER		01	01
19	0501040871	1/2" COMMAND SIMPLE ASSY		01	00
19A	0503060080	1/2" COMMAND SIMPLE		01	00
19B	0503010045	O'RING		02	04
19C	0503010602	2-211 N 3006-9B O'RING		02	02
19D	0501010590	NIPPLE		02	04
19E	0501010589	R. 1.1/16UN SEXT 1.1/4 X 52 NIPPLE		01	01
19F	0501010591	HOSE NIPPLE		01	01
19G	0503030347	UPPER LEVER ASSY (SAUER DANFOSS)		01	02
19H	0501010593	0.3" X 1" X 1/2" X 1.1 PIN		01	
19I	0503010140	1/8" X 3/4" COTTERPIN		01	04
20	0501059952	DOBLE COMMAND 1/2 HIDROV/DANFOSS ASSY		00	01
20A	0503060016	1/2"DOUBLE COMMAND		00	01
20B	0521010533	0.3" X 1" COUPLING SHAFT		00	02
21	0501047446	CONTROL VALVE (P/COM 1/2 PCA)		02	02
21A	0501068681	1/2" CONTROL VALVE		02	02
21B	0503030878	LEVER CRANK		02	02
22	0501010080	3/8" BOLT		02	02
23	0501010984	FLAT WASHER		02	02
24	0503010026	3/8" NUT		02	02
25	0521061623	SUPPORT CONTROL VALVE		01	01
26	0501057943			01	01
26A	0501080185	HOSE 1/2 X 4000 TR-TM		02	02
26B	0501080021	1/2 X 1300 TR-TR HOSE ASSY		04	04
26C	0501080062	1/2 X 2000 TR-TC HOSE		02	02
26D	0501080255			01	01
26E	0551013650	1" X 1300 AB-AB HOSE ASSY		01	01
26F	0511016008	1.1/4 X 2200 AB- AB HOSE		01	01
26G	0501080120	1/2" X 400 TR-TR HOSE		01	01
27	0503013493	T CONNECTION MALE		02	02
28	0503014746	M10 X 1,5 X 40 BOLT		04	04
29	0503010180	7/16" SPRING WASHER		04	04
30	0501063383	TANK OUTER TUBE		01	01
31	0503010184	CLAMP		02	02
32	0503010243	CLAMP		06	06
33	0503010246	CLAMP		01	01
34	0501068213	5/8" WRENCH DOUBLE		01	01
35	0501061617	1" GANG BOLT WRENCH		01	01
36	0511010153	2-5/16" FIXED WRENCH		01	01



Item	Code	Description	See page	QT
01	0501041627	1/2" DOUBLE COMMAND		01
01A	0503060016	1/2"DOUBLE COMMAND		01
01B	0511010111	7/8" NIPPLE		04
01C	0503010045	O'RING		04
01C.	0503010045	O'RING		02
01D	0501010589	R. 1.1/16UN SEXT 1.1/4 X 52 NIPPLE		01
01D.	0501010589	R. 1.1/16UN SEXT 1.1/4 X 52 NIPPLE		01
01E	0503011109	2-119 N 3006-9B O'RING		01
01E.	0503011109	2-119 N 3006-9B O'RING		02
01F	0501010591	HOSE NIPPLE		01
01F.	0501010591	HOSE NIPPLE		01
01G	0503011109	2-119 N 3006-9B O'RING		01
01H	0521010533	0.3" X 1" COUPLING SHAFT		02
01H.	0521010533	0.3" X 1" COUPLING SHAFT		01
01I	0503010140	1/8" X 3/4" COTTERPIN		02
01I.	0503010140	1/8" X 3/4" COTTERPIN		01
02	0501040871	1/2" COMMAND SIMPLE ASSY		01
02A	0503060080	1/2" COMMAND SIMPLE		01
02B	0501010590	NIPPLE		02
02C	0503030347	UPPER LEVER ASSY (SAUER DANFOSS)		01
03	0501058082			01
03A	0501081300	HOSE ASSY		01
03B	0501081299	HOSE 1/2 X 300 TR-TC		01
03C	0501080120	1/2" X 400 TR-TR HOSE		01
03D	0501080093	1/2 X 1300 HOSE TR-TC		02
03E	0501080021	1/2 X 1300 TR-TR HOSE ASSY		02
03F	0501080346	1/2" X 2000 TR-TR HOSE ASSY		02
03G	0501080896			02
03H	0501080041			01
04	0501057873			01
04A	0501080021	1/2 X 1300 TR-TR HOSE ASSY		02
04B	0501080346	1/2" X 2000 TR-TR HOSE ASSY		02



Item	Code	Description	See page	QT
04C	0501080223	1/2" X 106" TR-TM HOSE ASSY		02
05	0501047446	CONTROL VALVE (P/COM 1/2 PCA)		01
05A	0501068681	1/2" CONTROL VALVE		01
05B	0503030878	LEVER CRANK		01
06	0501068213	5/8" WRENCH DOUBLE		01
07	0501061617	1" GANG BOLT WRENCH		01
08	0511046144			01
09	0511046145			01
10	0501010080	3/8" BOLT		03
11	0501010984	FLAT WASHER		03
12	0503010025	3/8" SPRING WASHER		03
13	0503010026	3/8" NUT		03
14	0521061623	SUPPORT CONTROL VALVE		01



Item	Code	Description	See page	QT
00	0511046145			01
00.	0511046144			01
01	0511068883			01
01A	0511068884			01
02	0502010778	2" X 4.2" RING SUPPORT		01
03	0502010017	4" HEAD		01
04	0511068874			01
05	0502010992	2.0" X 4.0" PISTON		01
06	0503010043	PACKING 3750-3250		02
07	0503010345	2-218 N 3006-9B O'RING		01
08	0503011061	8-342 BACK-UP RING		01
09	0503010338	2-342 N 3006-9B O'RING		01
10	0503010952	W2-2250-500 RING		01
11	0503010039	D-2000 SCRAPER RING		01
12	0503010991	1870-2000-375-B GASKET		01
13	0503010994	W2-4000-500 PK RING G.E		01
14	0503010817	1.1/4" SELF LOCKING NUT		01
15	0503010002	1800 GREASE FITTING		02
16	0503030387	PLUG		02



www.marchesan.com.br



Technical Publications | Elaboration and Revision
ALESSANDRA PATRICIA KAWAHARA CARRILI