

**PD - FRONT LOADER**

## PD VALTRA BM 110/125.I-4 SHT GBA/GAL

**Code:** 0501091470  
**Series:** S-0907  
**Revision:** 00  
**Date Revision:** SETEMBRO/2015

# PARTS CATALOGUE



**MARCHESAN**



# PRODUCTS

<b>Code</b>	<b>Description</b>
0106020388	PD VTR BM 110/125I-4 SHTCD GAL S907
0106020355	PD VTR BM 110/125I-4 SHTCD GBA S907
0106020374	PD VTR BM 110/125I-4 SHTCS GBA S907
0106020365	PD VTR BM110/125I-4 SHTCDGB GBAS907
0106020366	PD VTR BM110/125I-4SHTCDL GBA S907

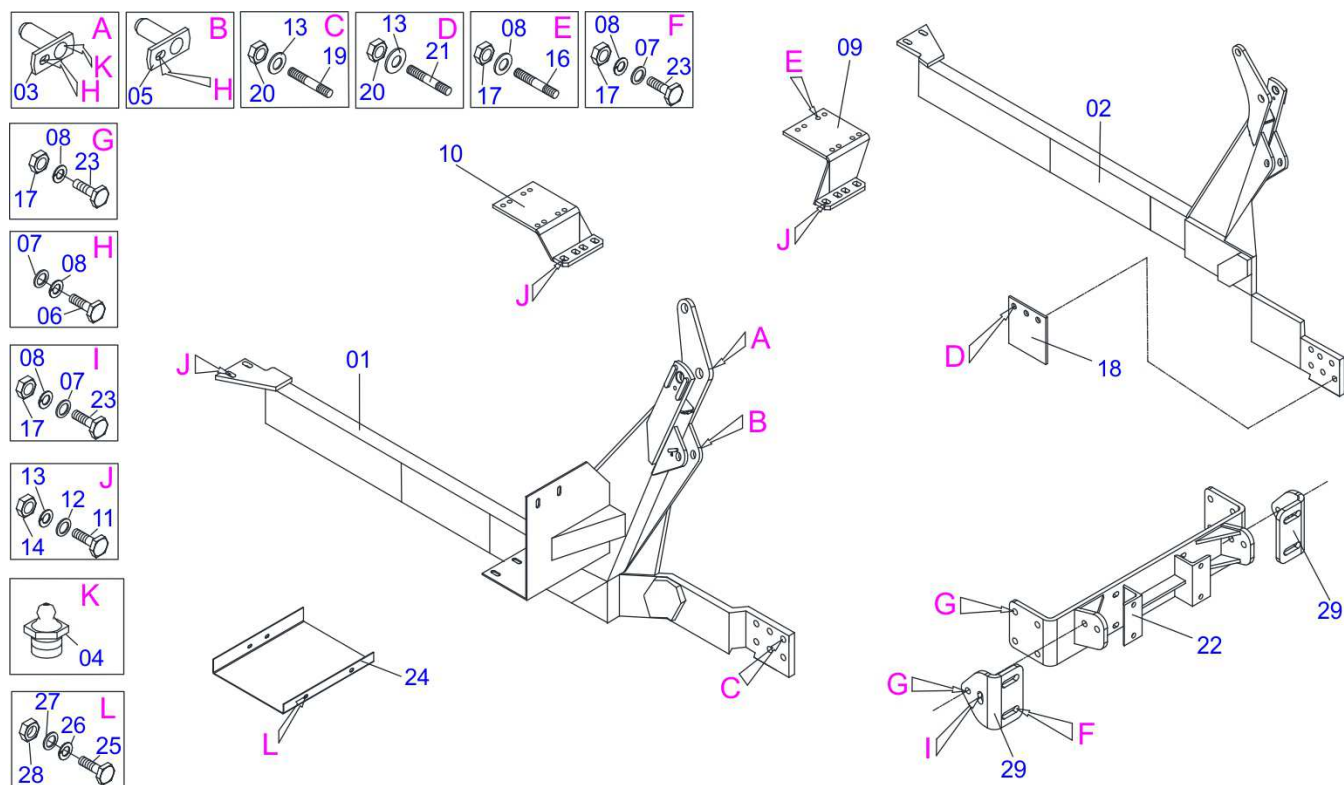
## **ATTENTION: IMPORTANT**

Marchesan S.A. reserves the right to improve and/or modify the technical features of its products, without obligation to do the same with those products already sold and without prior knowledge of the dealer or the customer. The photos are only illustrative.

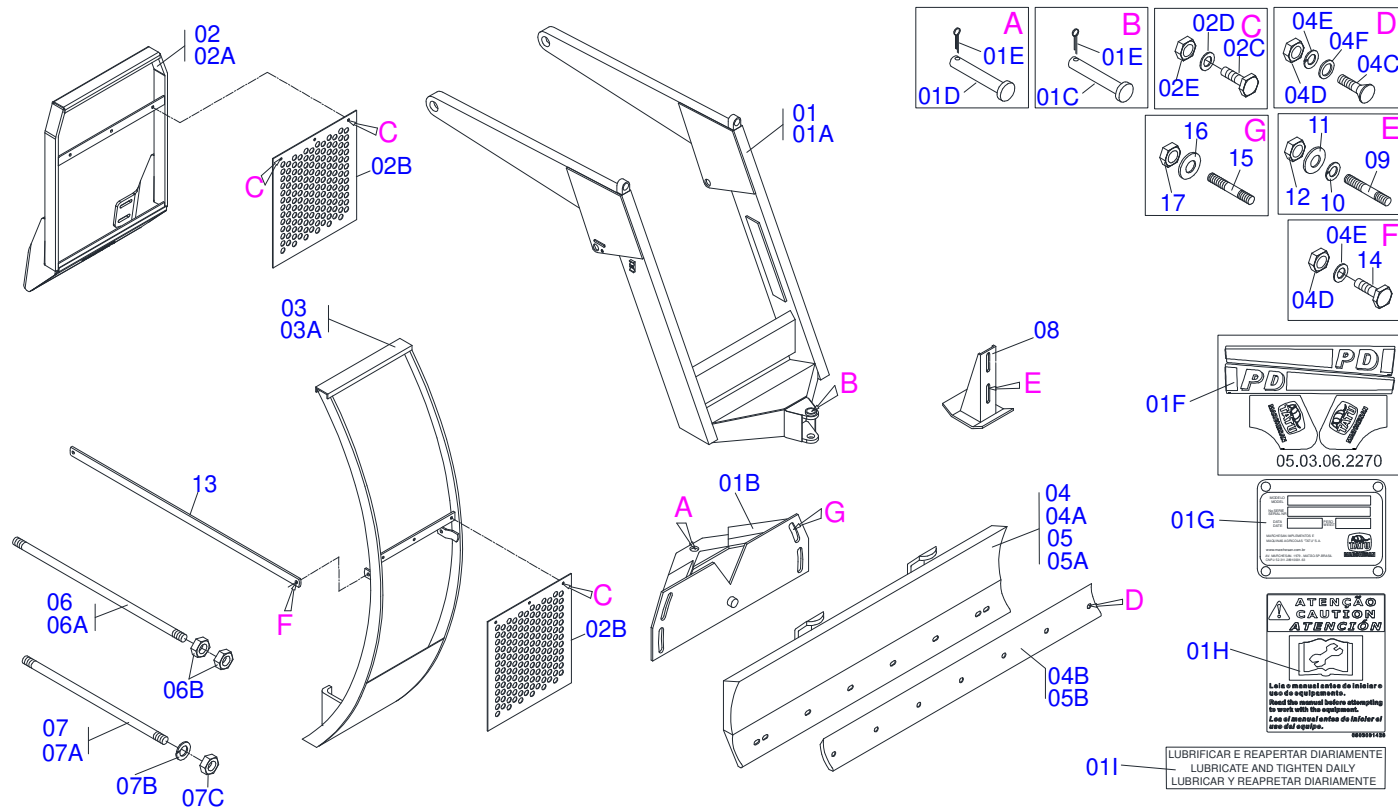


# INDEX

0909090741	FRAME ASSY	.....	1
0909090740	MOBILE SUPPORT GUIDE	.....	2
0511046192	MOBILE SUPPORT GUIDE ASSY	.....	3
0511046439	MOBILE SUPPORT GUIDE ASSY	.....	4
0501049367	ASSY HIGH MOBILE SUPPORT GUIDE	.....	5
0501047708	2400 BLADE SUPPORT	.....	6
0501047710	2600MM BLADE SUPPORT ASSY	.....	7
0501043212	ROD 1.1/4" NC X 3.818" ASSY	.....	8
0501049588	1.1/4 NC X 1640 ROD	.....	9
0909090742	HYDRAULIC CIRCUIT	.....	10
0501057991	PUMP WITH TUBE	.....	11
0501059952	DOBLE COMMAND 1/2 HIDROV/DANFOSS ASSY	.....	12
0501047446	STARTER COMPLETE CONTROL	.....	13
0501041108	RETURNING FILTER ASSY	.....	14
0501047807	OIL RESERVOIR ASSY	.....	15
0511046385	50,8 X 101,6 X 1150 HYDRAULIC CYLINDER	.....	16
0511046386	50,8 X 101,6 HYDRAULIC CYLINDER	.....	17



Item	Code	Description	See page	QT
01	0511069253	RIGHT FRAME	01	01
02	0511069255	LEFT FRAME	01	01
03	0501063751	1.5" X 5.5" PIVOT SHAFT	02	02
04	0503010002	1800 GREASE FITTING	02	02
05	0501063959	PIVOT SHAFT	02	02
06	0503010962	5/8" X 1-1/4" BOLT	06	06
07	0501012140	FLAT WASHER	06	06
08	0503010027	5/8" SPRING WASHER	06	06
09	0501063145	RH FRAME BRACKET	01	01
10	0501063146	LH FRAME BRACKET	01	01
11	0501010500	3/4"X3"BOLT	04	04
12	0501010322	FLAT WASHER	12	12
13	0503010023	3/4" SPRING WASHER	08	08
14	0503010014	3/4" HEX NUT	04	04
16	0501011426	5/8" X 5/8" X 9.45" STUD	08	08
17	0503010013	5/8" NUT	08	08
18	0531014070	BEATER BM VTR	02	02
19	0511014680	3/4" UNF X 85 STUD	06	06
20	0503010335	3/4"NUT	12	12
21	0501010603	3/4" X 3.74" STUD	06	06
22	0511069316	FRONTAL SUPPORT	01	01
23	0501010100	SCREW 5/8 UNC X 2 CS G.5 ZN	16	16
24	0531013185	SUPPORT HOSE PROTECTION	01	01
25	0501010080	3/8" BOLT	04	04
26	0503010025	3/8" SPRING WASHER	04	04
27	0501010984	FLAT WASHER 10,50 X 27 X 3,00	04	04
28	0503010026	3/8" NUT	04	04
29	0571014003	FASTENING BRACKET OF THE HIGH GUIDE	02	02



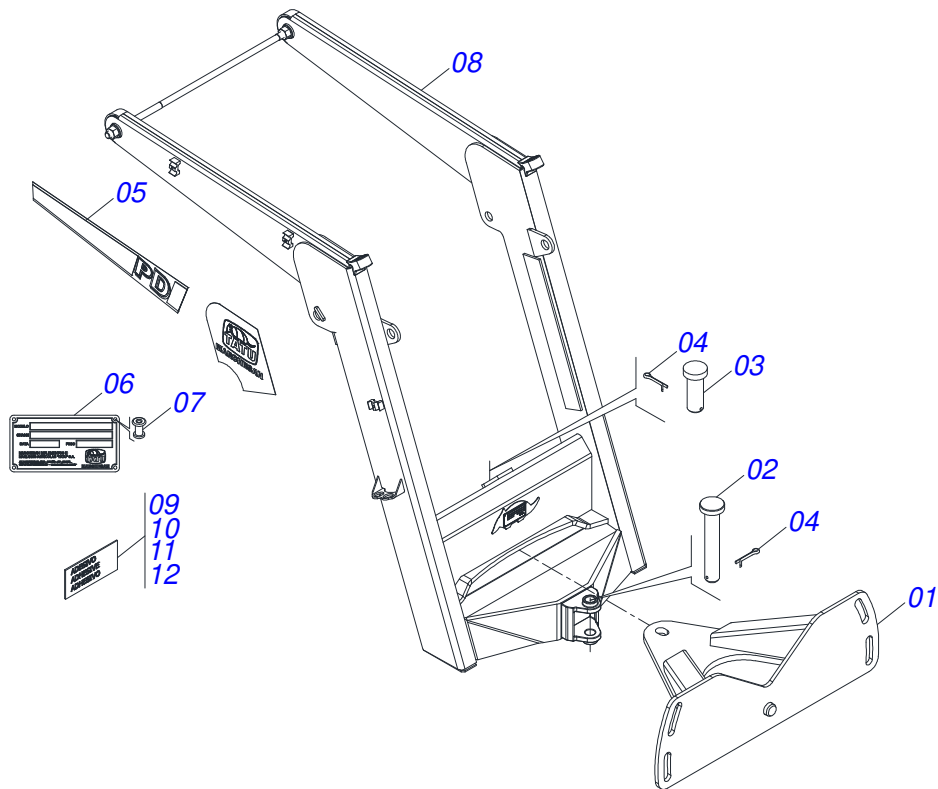
Item	Code	Description	See page	QT
01	0511046192	MOBILE SUPPORT GUIDE ASSY	3	01
01A	0521063345	MOBILE SUPPORT		01
01B	0501062637	5/8" REGULATOR SUPPORT		01
01C	0521010618	1.4" X 8.6" COUPLING SHAFT		01
01D	0521010612	1.4" X 3.5" COUPLING SHAFT		01
01E	0503010010	1/4" X 2.1/2" COTTERPIN		02
01F	0503062270	SET LABEL ADHESIVE		01
01G	0503034003	SERIAL NUMBER TAG 61 X 118		01
01H	0503031428	READ MANUAL DECAL		01
01I	0503031827	LUBRICATE AND RETIGHTEN DAILY DECAL		01
02	0511046439	MOBILE SUPPORT GUIDE ASSY	4	01
02A	0511069391	MOBILE SUPPORT GUIDE ASSY		01
02B	0501014687	FRONT PROTECTION		01
02C	0503010751	C3/8" X 1.1/4" HEX BOLT G.5		03
02D	0501010984	FLAT WASHER 10,50 X 27 X 3,00		03
02E	0503010026	3/8" NUT		03
03	0501049367	ASSY HIGH MOBILE SUPPORT GUIDE	5	01
03A	0511061956	MOBILE SUPPORT GUIDE ASSY		01
03B	0501014687	FRONT PROTECTION		01
04	0501047708	2400 BLADE SUPPORT	6	01
04A	0501067999	2390 BLADE SUPPORT		01
04B	0622360016	94.5" SCRAPER REVERSIBLE		01
04C	0501012240	BOLT		08
04D	0503010013	5/8" NUT		08
04E	0503010027	5/8" SPRING WASHER		08
04F	0501012140	FLAT WASHER		08
05	0501047710	2600MM BLADE SUPPORT ASSY	7	01
05A	0501068001	2590MM BLADE SUPPORT ASSY		01
05B	0622360011	2600 SCRAPER REVERSIBLE		01
06	0501043212	ROD 1.1/4" NC X 3.818" ASSY	8	01
06A	0501014915	ROD 1.1/4" NC X 3.818"		01



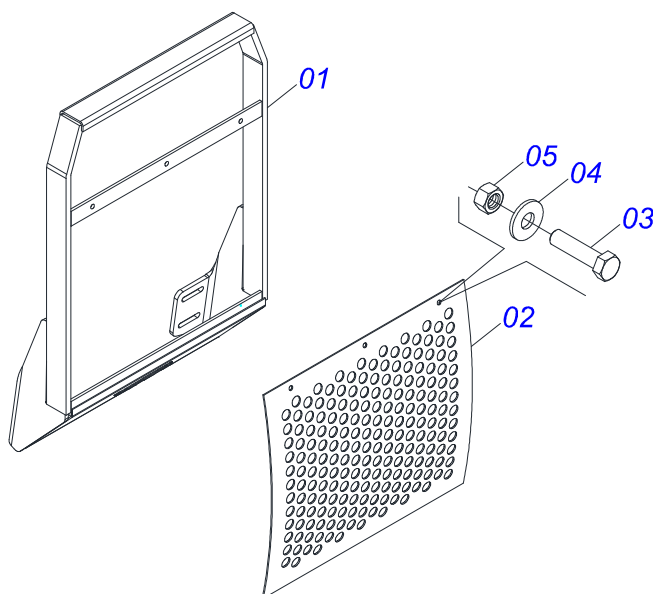
MOBILE SUPPORT GUIDE

0909090740

Item	Code	Description	See page	QT
06B	0501010087	1.1/4" NUT		04
07	0501049588	1.1/4 NC X 1640 ROD	9	02
07A	0521018624	1.1/4 X 1640 ROD		02
07B	0502012180	CONICAL SPRING WASHER		04
07C	0501010087	1.1/4" NUT		08
08	0501063411	ESTABILIZER BRACKET		02
09	0561016756	3/4 UNC X 3/4 UNC X 56 PRISONER		04
10	0503010023	3/4" SPRING WASHER		04
11	0501010322	FLAT WASHER		04
12	0503010014	3/4" HEX NUT		04
13	0541019767	FRENCH HAND		02
14	0501010100	SCREW 5/8 UNC X 2 CS G.5 ZN		02
15	0561016755	PRISONER 1 UNC X 1 UNC X 76 ZN		04
16	0501010574	FLAT WASHER		04
17	0501010059	1.5/8 NUT		04

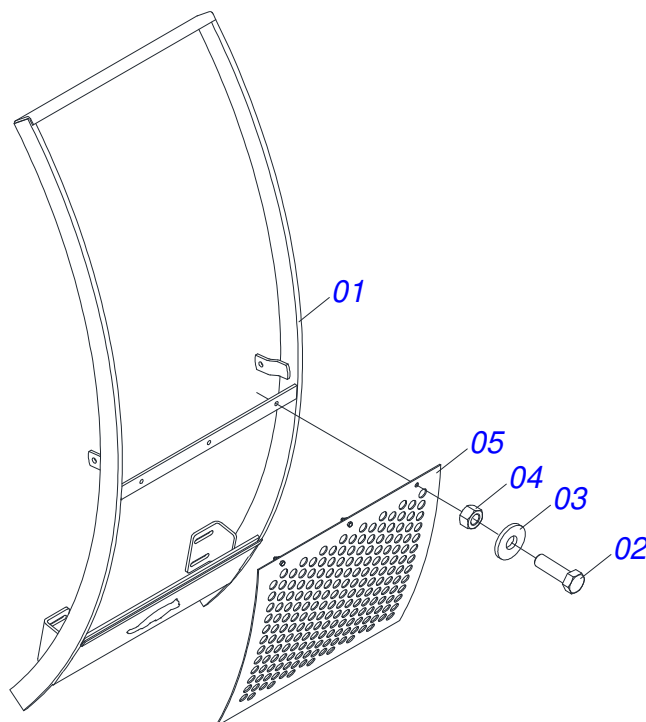


Item	Code	Description	See page	QT
01	0501062637	5/8" REGULATOR SUPPORT		01
02	0521010618	1.4" X 8.6" COUPLING SHAFT		01
03	0521010612	1.4" X 3.5" COUPLING SHAFT		01
04	0503010010	1/4" X 2.1/2" COTTERPIN		02
05	0503062270	SET LABEL ADHESIVE		01
06	0503034003	SERIAL NUMBER TAG 61 X 118		01
07	0503010001	3.2 X 5.5 RIVET		04
08	0521063345	MOBILE SUPPORT		01
09	0503031428	READ MANUAL DECAL		01
10	0503031827	LUBRICATE AND RETIGHTEN DAILY DECAL		01
11	0503034078	LIFTING POINTS DECAL		03
12	0503031087	ADHESIVE LABEL		01

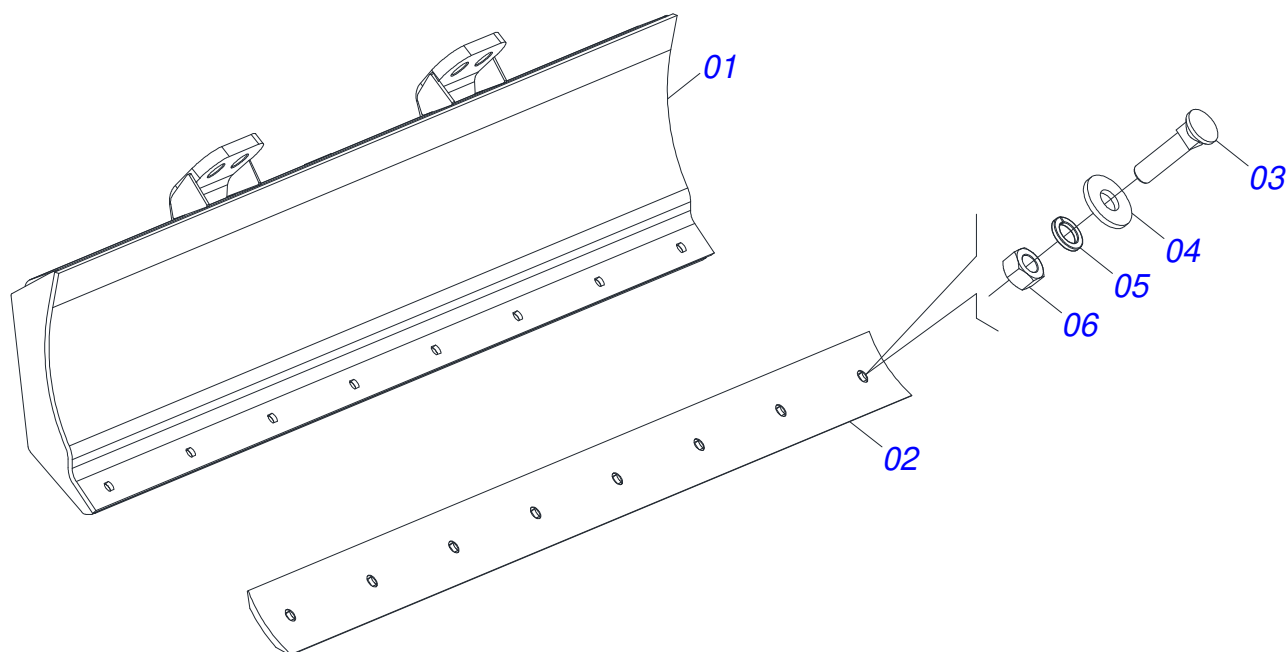


Item	Code	Description	See page	QT
01	0511069391	MOBILE SUPPORT GUIDE ASSY		01
02	0501014687	FRONT PROTECTION		01
03	0503010751	C3/8" X 1.1/4" HEX BOLT G.5		03
04	0501010984	FLAT WASHER 10,50 X 27 X 3,00		03
05	0503010026	3/8" NUT		03

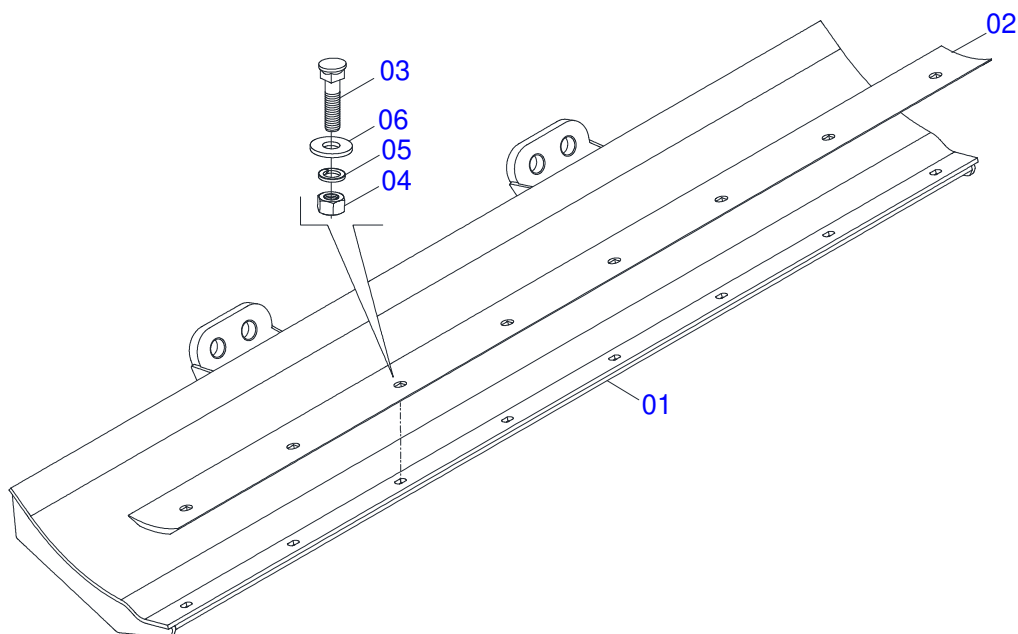




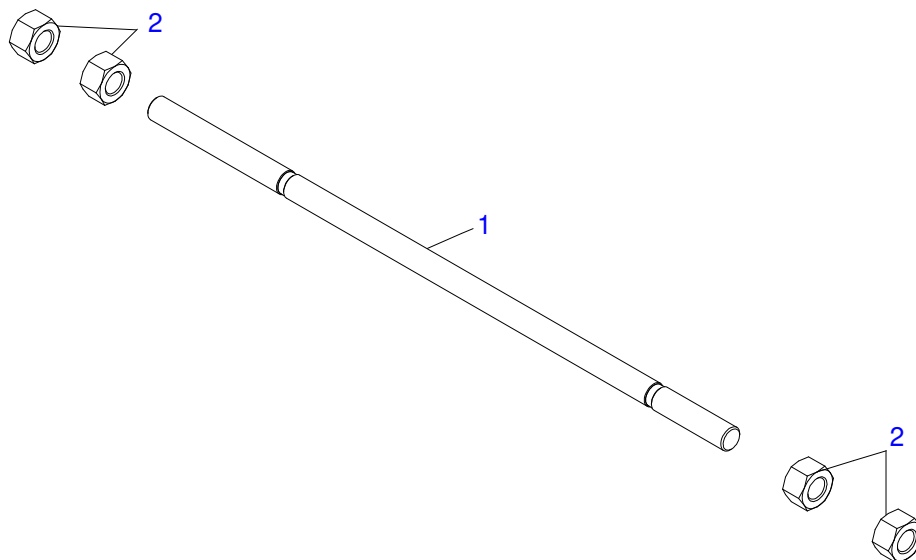
Item	Code	Description	See page	QT
01	0511061956	MOBILE SUPPORT GUIDE ASSY		01
02	0503010751	C3/8" X 1.1/4" HEX BOLT G.5		03
03	0501010984	FLAT WASHER 10,50 X 27 X 3,00		03
04	0503010026	3/8" NUT		03
05	0501014687	FRONT PROTECTION		01



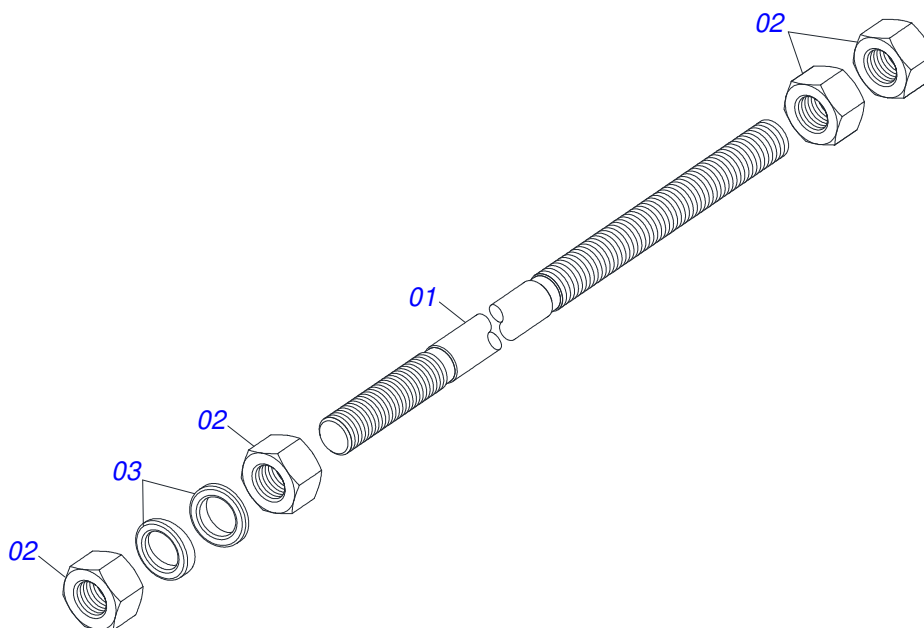
Item	Code	Description	See page	QT
01	0501067999	2390 BLADE SUPPORT		01
02	0622360016	94.5" SCRAPER REVERSIBLE		01
03	0501012240	BOLT		08
04	0501012140	FLAT WASHER		08
05	0503011445	SPRING WASHER		08
06	0503010013	5/8" NUT		08



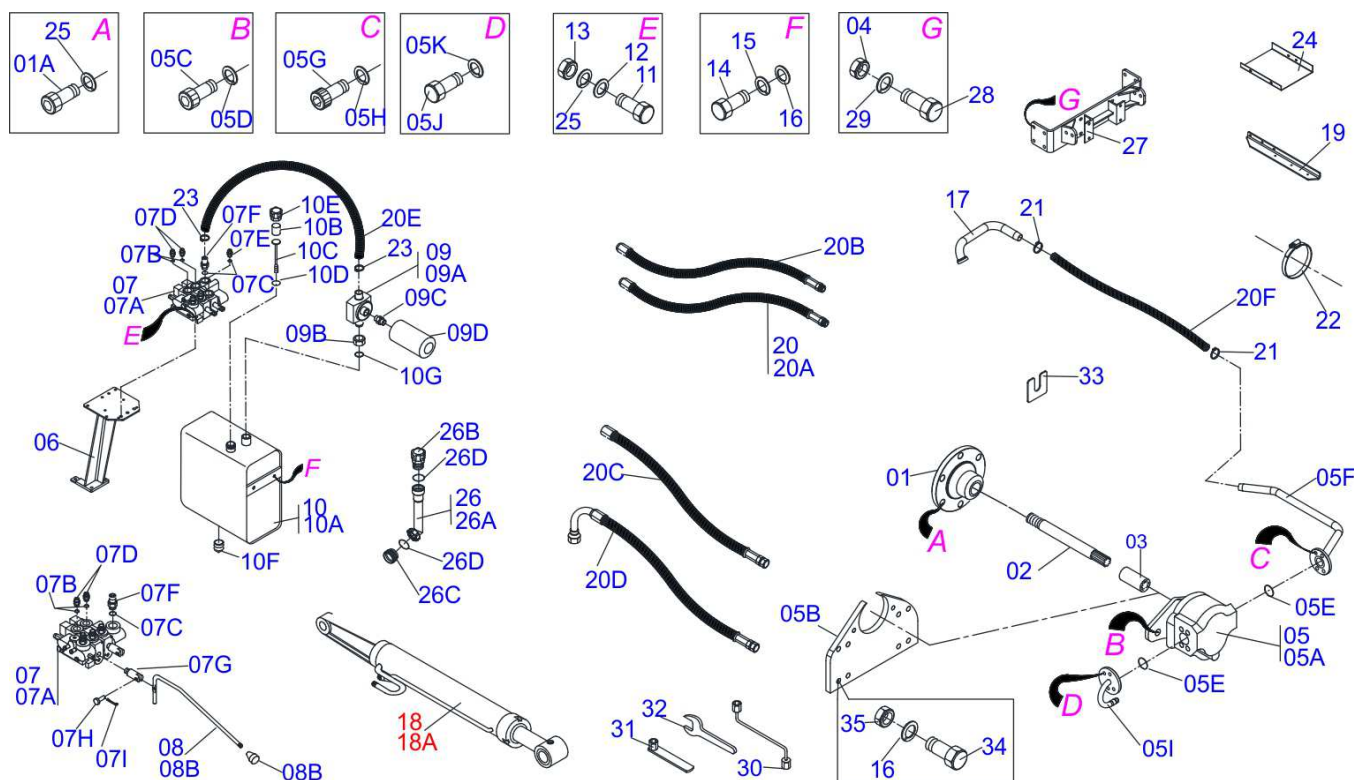
Item	Code	Description	See page	QT
01	0501068001	2590MM BLADE SUPPORT ASSY		01
02	0622360011	2600 SCRAPER REVERSIBLE		01
03	0501012240	BOLT		08
04	0503010013	5/8" NUT		08
05	0503010027	5/8" SPRING WASHER		08
06	0501010301	FLAT WASHER		08



Item	Code	Description	See page	QT
01	0501014915	ROD 1.1/4" NC X 3.818"		01
02	0501010087	1.1/4" NUT		04



Item	Code	Description	See page	QT
01	0521018624	1.1/4 X 1640 ROD		01
02	0501010087	1.1/4" NUT		04
03	0502012180	CONICAL SPRING WASHER		02



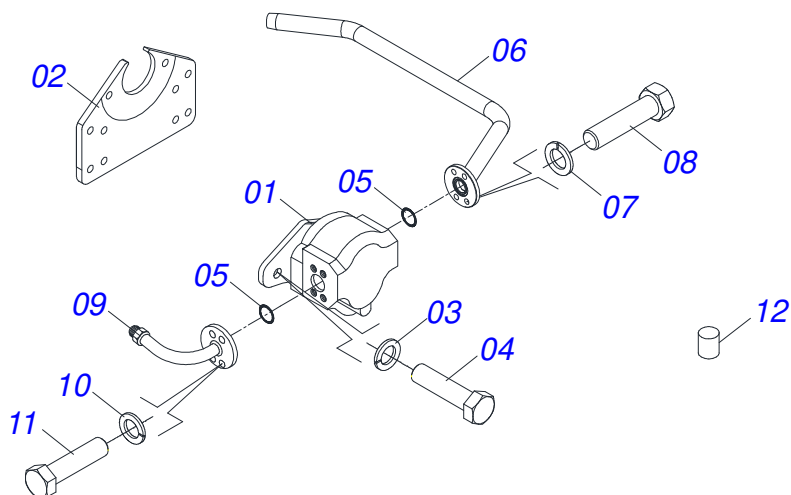
Item	Code	Description	See page	QT
01	0501067327	COUPLING FLANGE		01
01A	0503011313	M 8 X 1,25 X 50 BOLT		06
02	0501068927	565 X 1.1/8 STRIATED X 1.1/8-30G AXLE		01
03	0503030838	1-1/8" X 2.4" SLEEVE		01
04	0503010013	5/8" NUT		08
05	0501057991	PUMP WITH TUBE	11	01
05A	0503060045	40L 1/2" PUMP		01
05B	0501014609	PUMP SUPPORT		01
05C	0501010063	1/2" X 1-1/2" BOLT		02
05D	0503010019	1/2" SPRING WASHER		02
05E	0503010173	2-220 N 3006-9B O'RING		02
05F	0511069374	PUMP SUCTION TUBE		01
05G	0503010355	7/16" X 1" BOLT		04
05H	0503010180	7/16" SPRING WASHER		04
05I	0511067176	PUMP PRESSURE TUBE		01
05J	0503010237	3/8" X 1" BOLT		04
05K	0503010025	3/8" SPRING WASHER		07
06	0521061623	SUPPORT CONTROL VALVE		01
07	0501059952	DOBLE COMMAND 1/2 HIDROV/DANFOSS ASSY	12	01
07A	0503060016	1/2"DOUBLE COMMAND		01
07B	0503010045	O'RING		04
07C	0503011109	2-119 N 3006-9B O'RING		02
07D	0501010590	NIPPLE		04
07E	0501010589	R. 1.1/16UN SEXT 1.1/4 X 52 NIPPLE		01
07F	0501010591	HOSE NIPPLE		01
07G	0503030387	PLUG		04
07H	0521010533	0.3" X 1" COUPLING SHAFT		02
07I	0503010140	1/8" X 3/4" COTTERPIN		02
08	0501047446	STARTER COMPLETE CONTROL	13	02
08A	0501068681	1/2" CONTROL VALVE		01
08B	0503030878	LEVER CRANK		01



## HYDRAULIC CIRCUIT

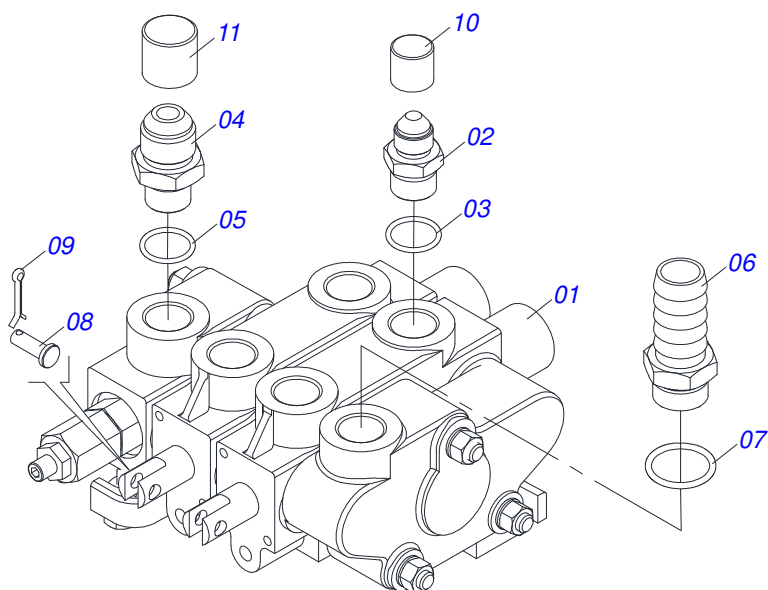
0909090742

Item	Code	Description	See page	QT
09	0501041108	RETURNING FILTER ASSY	14	01
09A	0502050002	RETURNING FILTER HEAD		01
09B	0501010594	1" NUT		01
09C	0501010595	1" NF NIPPLE FITTING		01
09D	0503010183	RETURNING FILTER		01
10	0501047807	OIL RESERVOIR ASSY	15	01
10A	0501068880	OIL RESERVOIR		01
10B	0503030044	FILTERING ELEMENT		01
10C	0501060975	OIL GAGE		01
10D	0503010185	2-221 N 3006-9B O'RING		01
10E	0502020472	FRONTAL COVER		01
10F	0503031604	1/2" BSP PLUG		01
10G	0503010046	2-216 N 3006-9B O'RING		01
11	0501010080	3/8" BOLT		03
12	0501010984	FLAT WASHER 10,50 X 27 X 3,00		03
13	0503010026	3/8" NUT		03
14	0501010161	1/2" X 1.1/4" BOLT		04
15	0511017302	FLAT WASHER 13,50 X 32,50 X 3,0 ZN		04
16	0503010019	1/2" SPRING WASHER		08
17	0511069110	TANK OUTER TUBE		01
18	0511046385	50,8 X 101,6 X 1150 HYDRAULIC CYLINDER	16	01
18A	0511046386	50,8 X 101,6 HYDRAULIC CYLINDER	17	01
19	0561019292	SUPPORT FIXER BOX OF TOOLS		01
20	0501057989	KIT HOSE		01
20A	0501080014	1/2 X 1000 TR-TR HOSE		04
20B	0501080322	1/2 X 1850 HOSE		02
20C	0501080185	HOSE 1/2 X 4000 TR-TM		02
20D	0501081514	3/4 X 4400 TR-TR HOSE ASSY		01
20E	0551013650	1" X 1300 AB-AB HOSE ASSY		01
20F	0501014649	1.1/4 X 2000 AB-AB HOSE ASSY		01
21	0503010246	CLAMP		01
22	0503010243	CLAMP		03
23	0503010184	CLAMP		02
24	0531013185	SUPPORT HOSE PROTECTION		01
25	0503010025	3/8" SPRING WASHER		03
26	0501057990	TANK MOUTH EXTENSION		01
26A	0511069317	PROLONGER		01
26B	0502020549	TANK COVER		01
26C	0511011777	EXTENDER		01
26D	0503010141	2-226 N 3006-9B O'RING		02
27	0511069316	FRONTAL SUPPORT		01
28	0501010100	SCREW 5/8 UNC X 2 CS G.5 ZN		08
29	0503010027	5/8" SPRING WASHER		08
30	0501068213	5/8" WRENCH DOUBLE		01
31	0501061617	1" GANG BOLT WRENCH		01
32	0511010153	2-5/16" FIXED WRENCH		01
33	0501010794	HIDR CHOCK REGULATOR		20
34	0503010905	1/2" X 2-1/4" BOLT		04
35	0503010060	1/2 UNC G.5 ZN HEX NUT		04

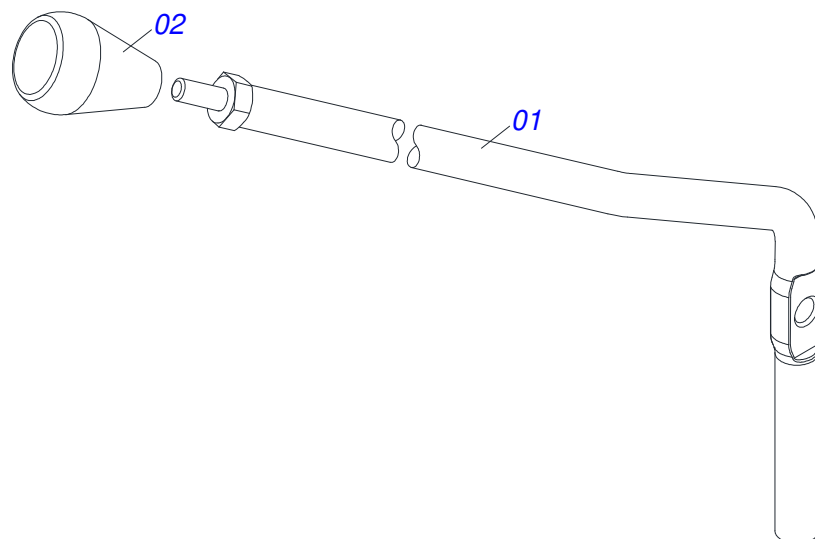


Item	Code	Description	See page	QT
01	0503061770	PUMP WITH TUBE		01
02	0501014609	PUMP SUPPORT		01
03	0503010019	1/2" SPRING WASHER		02
04	0501010063	1/2" X 1-1/2" BOLT		02
05	0503010173	2-220 N 3006-9B O'RING		02
06	0511069374	PUMP SUCTION TUBE		01
07	0503010180	7/16" SPRING WASHER		04
08	0503010355	7/16" X 1" BOLT		04
09	0511067176	PUMP PRESSURE TUBE		01
10	0503010025	3/8" SPRING WASHER		04
11	0503011087	3/8" X 1" BOLT		04
12	0503030388	PLUG N-005		01

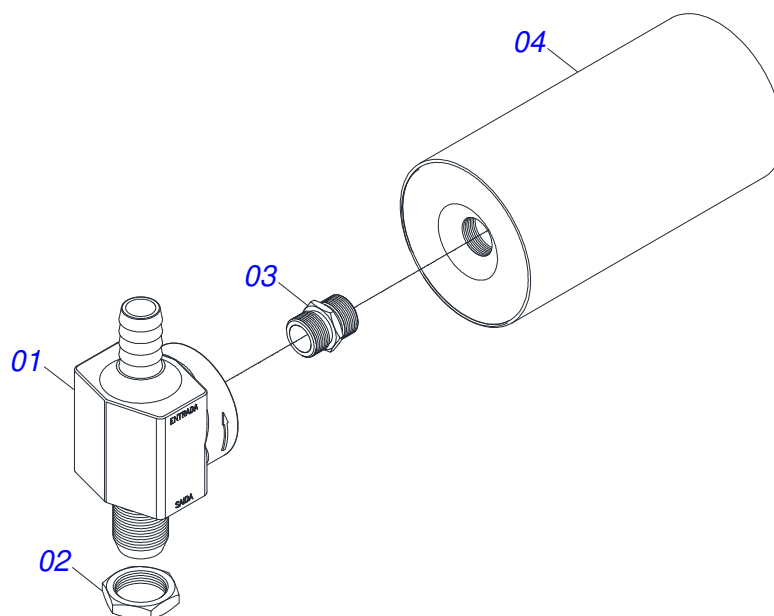




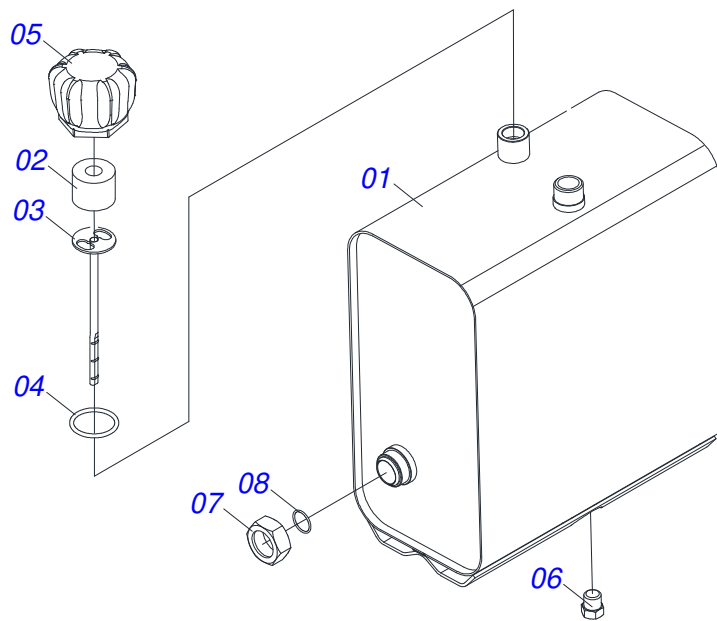
Item	Code	Description	See page	QT
01	0503060016	1/2"DOUBLE COMMAND		01
02	0501010590	NIPPLE		04
03	0503010045	O'RING		04
04	0501010589	R. 1.1/16UN SEXT 1.1/4 X 52 NIPPLE		01
05	0503011109	2-119 N 3006-9B O'RING		01
06	0501010591	HOSE NIPPLE		01
07	0503011109	2-119 N 3006-9B O'RING		01
08	0521010533	0.3" X 1" COUPLING SHAFT		02
09	0503010140	1/8" X 3/4" COTTERPIN		02
10	0503030387	PLUG		04
11	0503030388	PLUG N-005		01



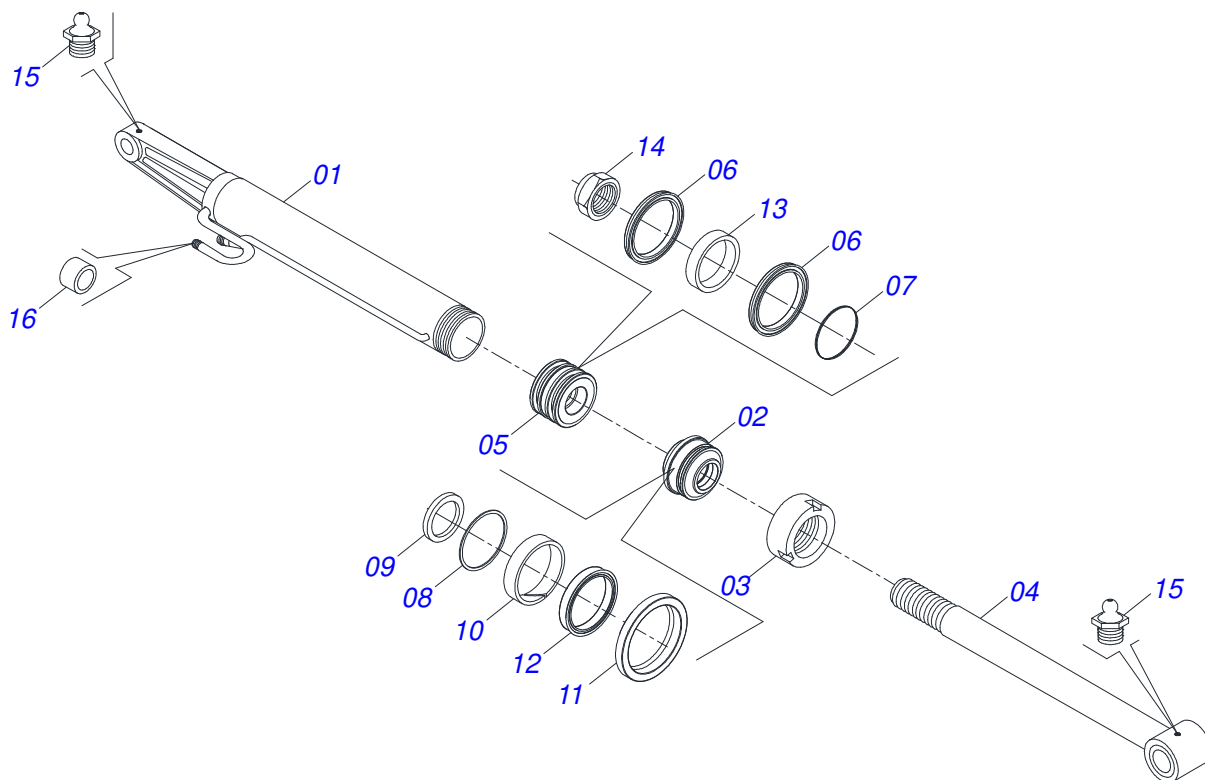
Item	Code	Description	See page	QT
01	0501047446	STARTER COMPLETE CONTROL	13	02
02	0503030878	LEVER CRANK		02



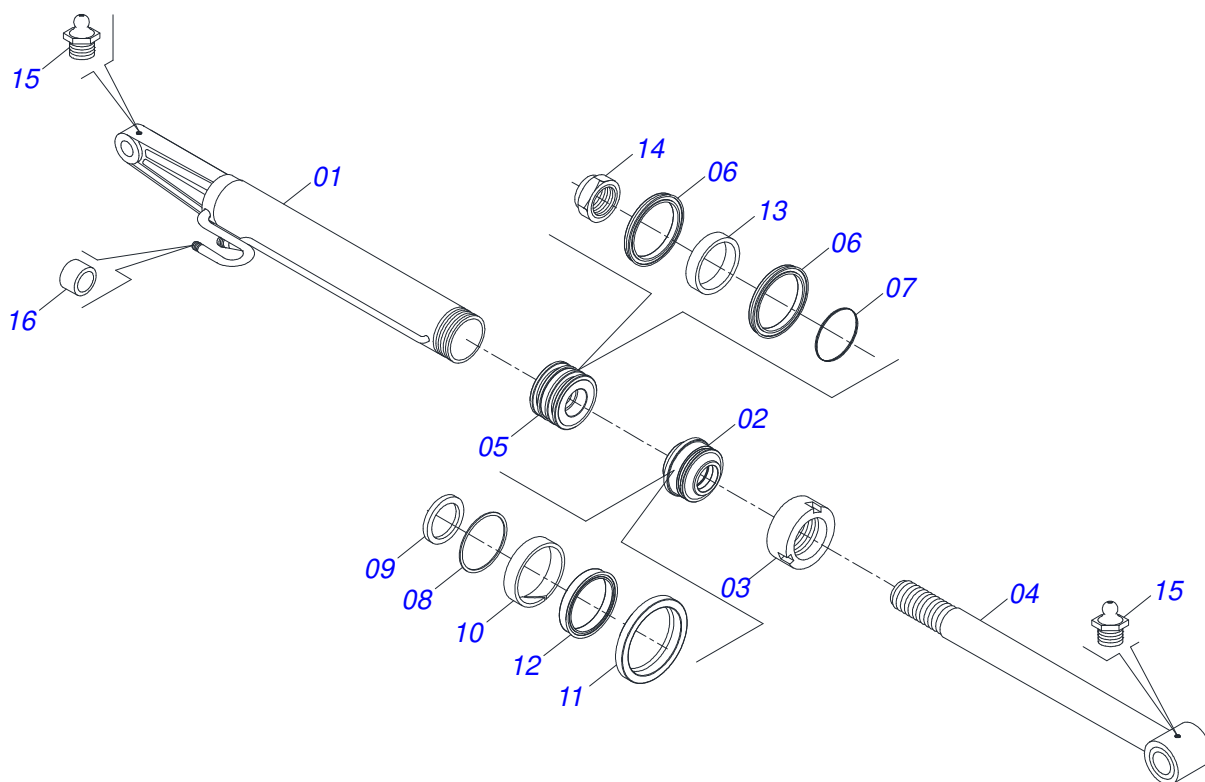
Item	Code	Description	See page	QT
01	0502050002	RETURNING FILTER HEAD		01
02	0501010594	1" NUT		01
03	0501010595	1" NF NIPPLE FITTING		01
04	0503010183	RETURNING FILTER		01



Item	Code	Description	See page	QT
01	0501068880	OIL RESERVOIR		01
02	0503030044	FILTERING ELEMENT		01
03	0501060975	OIL GAGE		01
04	0503010185	2-221 N 3006-9B O'RING		01
05	0502020472	FRONTAL COVER		01
06	0503031604	1/2" BSP PLUG		01
07	0501016309	2" 1X 2.5/16" NUT		01
08	0503010046	2-216 N 3006-9B O'RING		01

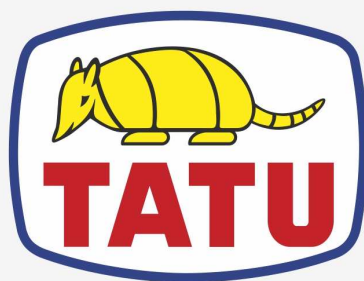


Item	Code	Description	See page
01	0511069250	RH 101,60 X 558 CYLINDER CASE	01
02	0502010778	2" X 4.2" RING SUPPORT	01
03	0502010017	4" HEAD	01
04	0511068874	TURNBUCKLE	01
05	0502010992	2.0" X 4.0" PISTON	01
06	0503010043	PACKING 3750-3250	02
07	0503010345	2-218 N 3006-9B O'RING	01
08	0503011061	8-342 BACK-UP RING	01
09	0503010338	2-342 N 3006-9B O'RING	01
10	0503010952	W2-2250-500 RING	01
11	0503010039	D-2000 SCRAPER RING	01
12	0503010991	1870-2000-375-B GASKET	01
13	0503010994	W2-4000-500 PK RING G.E	01
14	0503010817	1.1/4" SELF LOCKING NUT	01
15	0503010002	1800 GREASE FITTING	02
16	0503030387	PLUG	02
17	0501031799	HYDRAULIC CYLINDER REPAIR KIT	01



Item	Code	Description	See page
01	0511069251	CYLINDER CASE	01
02	0502010778	2" X 4.2" RING SUPPORT	01
03	0502010017	4" HEAD	01
04	0511069252	50,80 X 771,50 TURNBUCKLE	01
05	0502010992	2.0" X 4.0" PISTON	01
06	0503010043	PACKING 3750-3250	02
07	0503010345	2-218 N 3006-9B O'RING	01
08	0503011061	8-342 BACK-UP RING	01
09	0503010338	2-342 N 3006-9B O'RING	01
10	0503010952	W2-2250-500 RING	01
11	0503010039	D-2000 SCRAPER RING	01
12	0503010991	1870-2000-375-B GASKET	01
13	0503010994	W2-4000-500 PK RING G.E	01
14	0503010817	1.1/4" SELF LOCKING NUT	01
15	0503010002	1800 GREASE FITTING	02
16	0503030387	PLUG	02
17	0501031799	HYDRAULIC CYLINDER REPAIR KIT	01





**MARCHESAN**

**Technical Publications | Elaboration and Revision**

ALESSANDRA PATRICIA KAWAHARA CARRILI

[www.marchesan.com.br](http://www.marchesan.com.br)

