

OFFSET DISK HARROW

GASPCW 9017 - 23/25/29D

Code: 0501091469

Series: S-0304

Revision: 00

Date Revision: MARÇO/2014

PARTS CATALOGUE



MARCHESAN



PRODUCTS

Code	Description
0102080113	GASPCW 9017 23X32X12DMDR HDRHSC S304
0102080083	GASPCW 9017 23X34X12 DMDR HDRH S/PN
0102080078	GASPCW 9017 23X34X12DMDR S/PN S-304
0102080082	GASPCW 9017 23X34X9 DM DR HDRH S/PN
0102080077	GASPCW 9017 23X34X9 DM DR S/PN S304
0102080134	GASPCW 9017 23X36X12 DMDR S-0304
0102080085	GASPCW 9017 23X36X12 DMDR HDRH S/PN
0102080080	GASPCW 9017 23X36X12DMDR S/PN S0304
0102080084	GASPCW 9017 23X36X9 DM DR HDRH S/PN
0102080079	GASPCW 9017 23X36X9 DM DR S/PN S304
0102080128	GASPCW 9017 23X36X9 DMDR HDRH S0304
0102080166	GASPCW 9017 23X38X12 DMDR S-0304
0102080121	GASPCW 9017 25X32X12 DMDR HDRH S/PN
0102080118	GASPCW 9017 25X34X12 DMDR S-0304
0102080093	GASPCW 9017 25X34X12 DMDR HDRH S/PN
0102080122	GASPCW 9017 25X34X12DMDR HDRHSC S/PN
0102080088	GASPCW 9017 25X34X12DMDR S/PN S0304
0102080092	GASPCW 9017 25X34X9 DM DR HDRH S/PN
0102080087	GASPCW 9017 25X34X9 DM DR S/PN S304
0102080117	GASPCW 9017 25X34X9 DMDR S-0304
0102080116	GASPCW 9017 25X36X12 DMDR S-0304
0102080123	GASPCW 9017 25X36X12DMDR HDRH S/PN
0102080090	GASPCW 9017 25X36X12DMDR S/PN S0304
0102080119	GASPCW 9017 25X36X9 DM DR S-0304
0102080094	GASPCW 9017 25X36X9 DM DR HDRH S/PN
0102080124	GASPCW 9017 25X36X9 DM DR S/PN S304
0102080168	GASPCW 9017 25X38X12 DMDR S-0304
0102080130	GASPCW 9017 29X34X12 DMDR S-0304
0102080103	GASPCW 9017 29X34X12DMDR HDRH S/PN
0102080125	GASPCW 9017 29X34X12DMDR HDRHSCS/PN

ATTENTION: IMPORTANT

Marchesan S.A. reserves the right to improve and/or modify the technical features of its products, without obligation to do the same with those products already sold and without prior knowledge of the dealer or the customer. The photos are only illustrative.



PRODUCTS

0102080098	GASPCW 9017 29X34X12DMDR S/PN S0304
0102080102	GASPCW 9017 29X34X9 DM DR HDRH S/PN
0102080097	GASPCW 9017 29X34X9 DM DR S/PN S304
0102080131	GASPCW 9017 29X36X12 DMDR S-0304
0102080105	GASPCW 9017 29X36X12DMDR HDRH S/PN
0102080100	GASPCW 9017 29X36X12DMDR S/PN S0304
0102080104	GASPCW 9017 29X36X9 DM DR HDRH S/PN
0102080126	GASPCW 9017 29X36X9 DM DR S/PN S304
0102080170	GASPCW 9017 29X38X12 DMDR S-0304

ATTENTION: IMPORTANT

Marchesan S.A. reserves the right to improve and/or modify the technical features of its products, without obligation to do the same with those products already sold and without prior knowledge of the dealer or the customer. The photos are only illustrative.

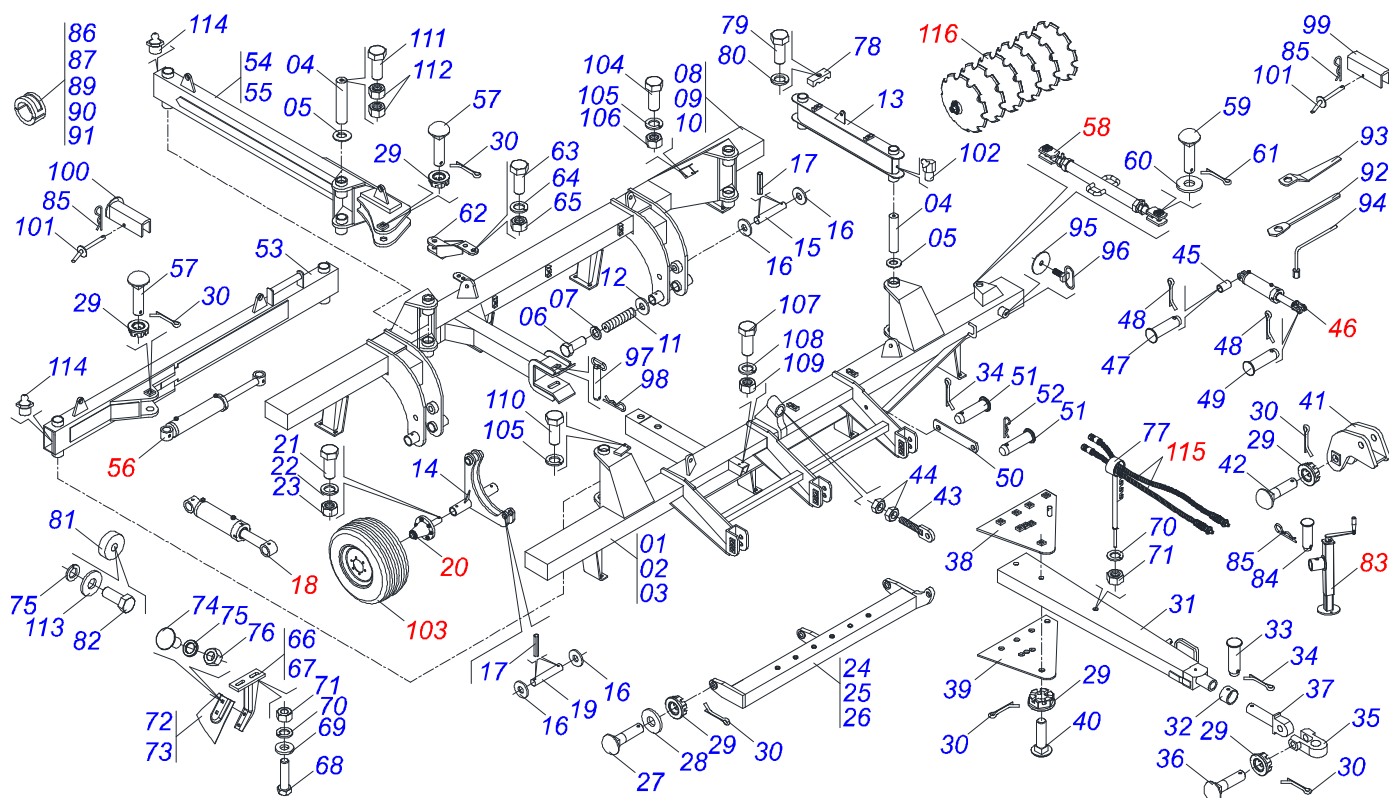


MARCHESAN

INDEX

0909091077	ASSY FRAME	1
0511041599	2 X 5 X 25,75 X 13,62 HYDRAULIC CYLINDER	2
0501055263	CARRYING-WHEELS	3
0501051885	CARRYING-WHEELS	4
0511050113	HYDRAULIC CYLINDER	5
0511058419	HYDRAULIC CYLINDER 50,80 X 101,60 X 514 X 206	6
0511050114	63,50 X 150 X 965 X 625 HYDRAULIC CYLINDER	7
0511041259	DRAWBAR JACK ASSY	8
0909090457	HYDRAULIC CIRCUIT	9
0511043139	VALVE ASSY	10
0501055695	FLOW DIVIDING VALVE ASSY	11
0501055696	DISCHARGE VALVE OFS ASSY	12
0501053834	MALE QUICK COUPLER	13
0909091078	DISC SECTION - 23/25/29D	14

ASSY FRAME



Item	Code	Description	See page	23	25	29
001	0511065652	FRAME FRONT - 23D		01	00	00
002	0511065432	FRAME FRONT - 25D		00	01	00
003	0511065520	FRAME FRONT - 29D		00	00	01
004	0541011899	2.9" X 20" COUPLING SHAFT		05	05	05
005	0511013244	FLAT WASHER		10	10	10
006	0503011250	1" X 2" BOLT		04	04	04
007	0503010012	1" SPRING WASHER		04	04	04
008	0511065653	REAR FRAME		01	00	00
009	0511065433	REAR FRAME		00	01	00
010	0511065521	REAR FRAME		00	00	01
011	0531018062	COUPLING SHAFT		02	02	02
012	0521011565	FLAT WASHER		04	04	04
013	0511065374	JOIN		01	01	01
014	0511064655	CARRYNG-WHEEL SUPPORT		02	02	02
015	0531018105	1.2" X 11.8" PIVOT SHAFT		02	02	02
016	0501017779	32 X 60 X 4.75 FLAT WASHER		08	08	08
017	0503011877	0.3" X 2.4" SPRING PIN		08	08	08
018	0511050113	HYDRAULIC CYLINDER	5	02	02	02
019	0531018101	1.2" X 6.3" PIVOT SHAFT		02	02	02
020	0501055263	CARRYING-WHEELS	3	04	04	04
020.	0501051885	CARRYING-WHEELS	4	04	04	04
021	0503010547	1/2" X 4" BOLT		04	04	04
022	0503010019	1/2" SPRING WASHER		04	04	04
023	0503010060	1/2 UNC G.5 ZN HEX NUT		04	04	04
024	0511065629	OFFSET BAR		01	00	00
025	0511064942	OFFSET BAR		00	01	00
026	0511064654	OFFSET BAR		00	00	01
027	0531018099	37,50 X 190 COUPLING SHAFT		02	02	02
028	0521011721	1.6" X 3.94" X 0.12" WASHER		03	03	03
029	0501011301	1.1/2 UNC 6FPP 2.5/16 NUT		12	12	12
030	0503010010	1/4" X 2.1/2" COTTERPIN		05	05	05



ASSY FRAME

0909091077

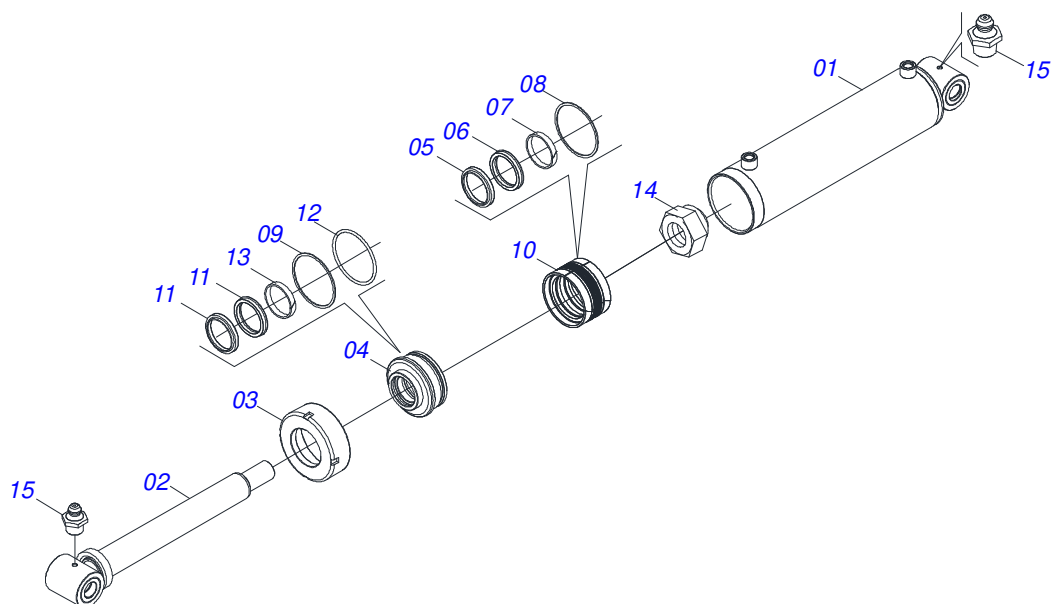
Item	Code	Description	See page	23	25	29
031	0511064669	DRAWBAR ASSY		01	01	01
032	0502040327	HITCH LOCK RING		01	01	01
033	0501011136	PINO 26 X 100 (1.1/2 X 107) GCRO		01	01	01
034	0503010571	1/4" X 1.1/2 COTTERPIN		01	01	01
035	0502040733	TRACTOR HITCH		01	01	01
036	0521012545	COUPLING SHAFT		01	01	01
037	0502040727	COUPLING SHAFT		01	01	01
038	0511064659	UPPER PLATE		01	01	01
039	0511064658	LOWER PLATE		01	01	01
040	0531019124	1.5" X 9.6" COUPLING SHAFT		06	06	06
041	0511064656	DRAWBAR PIVOT		01	01	01
042	0521012053	1.5" X 8.6" AXLE		01	01	01
043	0511064433	REGULATOR SPINDLE 1-3/4		01	01	01
044	0501010333	1.3/4" NUT		02	02	02
045	0511019920	SLEEVE 32,70 X 38,80 X 25,40		01	01	01
046	0511058419	HYDRAULIC CYLINDER 50,80 X 101,60 X 514 X 206	6	01	01	01
047	0521012538	1.2" X 3.5" COUPLING SHAFT		01	01	01
048	0503010523	1/4" X 2" SPLIT PIN		02	02	02
049	0531019171	1.25" X 7" COUPLING SHAFT		01	01	01
050	0541011205	DRAWBAR LOCK SAFETY		02	02	02
051	0521010572	0.9" X 2.9" COUPLING SHAFT		02	02	02
052	0503030012	HITCH PIN CLIP		01	01	01
053	0511065375	FRONT STABILIZER BAR		01	01	01
054	0511065630	REAR STABILIZER BAR		01	00	00
055	0511065377	REAR STABILIZER BAR		00	01	01
056	0511050114	63,50 X 150 X 965 X 625 HYDRAULIC CYLINDER	7	01	01	01
057	0531018100	37,50 X 200 COUPLING SHAFT		02	02	02
058	0501054606	TURNBUCKLE ASSY		01	01	01
059	0521012868	1.4" X 5" PIVOT SHAFT		02	02	02
060	0501010237	FLAT WASHER		02	02	02
061	0503010534	3/8 X 2-1/2 COTTERPIN		05	05	05
062	0511064810	REAR HITCH		01	01	01
063	0503011346	7/8" X 3-1/2" BOLT		02	02	02
064	0503010408	7/8" SPRING WASHER		02	02	02
065	0503010417	7/8" NUT		02	02	02
066	0511064771	FRONT SCRAPER SUPPORT		11	12	14
067	0511064772	REAR SCRAPER SUPPORT		12	13	15
068	0501010500	3/4" X 3" BOLT		46	50	58
069	0541010763	FLAT WASHER		46	50	58
070	0503010023	3/4" SPRING WASHER		46	52	60
071	0503010014	3/4" HEX NUT		46	50	58
072	0521013678	FRONT CLEANER		11	12	14
073	0521013679	REAR CLEANER		12	13	15
074	0503012195	5/8" NUT		46	50	58
075	0503010027	5/8 SPRING WASHER		46	50	58
076	0503010013	5/8 NUT		46	50	58
077	0511064470	HOSE HOLDER ASSY		01	01	01
078	0502010477	HOSE CLAMP		07	07	07
079	0503011135	BOLT		07	07	07
080	0503010180	7/16" SPRING WASHER		07	07	07
081	0521011481	FRAME BATTERY		01	01	01
082	0501010108	5/8" X 1" BOLT		01	01	01
083	0511041259	DRAWBAR JACK ASSY	8	01	01	01
084	0521010549	COUPLING SHAFT		01	01	01
085	0503030168	HITCH PIN CLIP		04	04	04
086	0511042161	2.1/2" ROD STOP ASSY		01	01	01
087	0511042162	2.1/2" ROD STOP ASSY		01	01	01
088	0511042163	2.1/2" ROD STOP ASSY		01	01	01
089	0511042164	2.1/2" ROD STOP ASSY		01	01	01



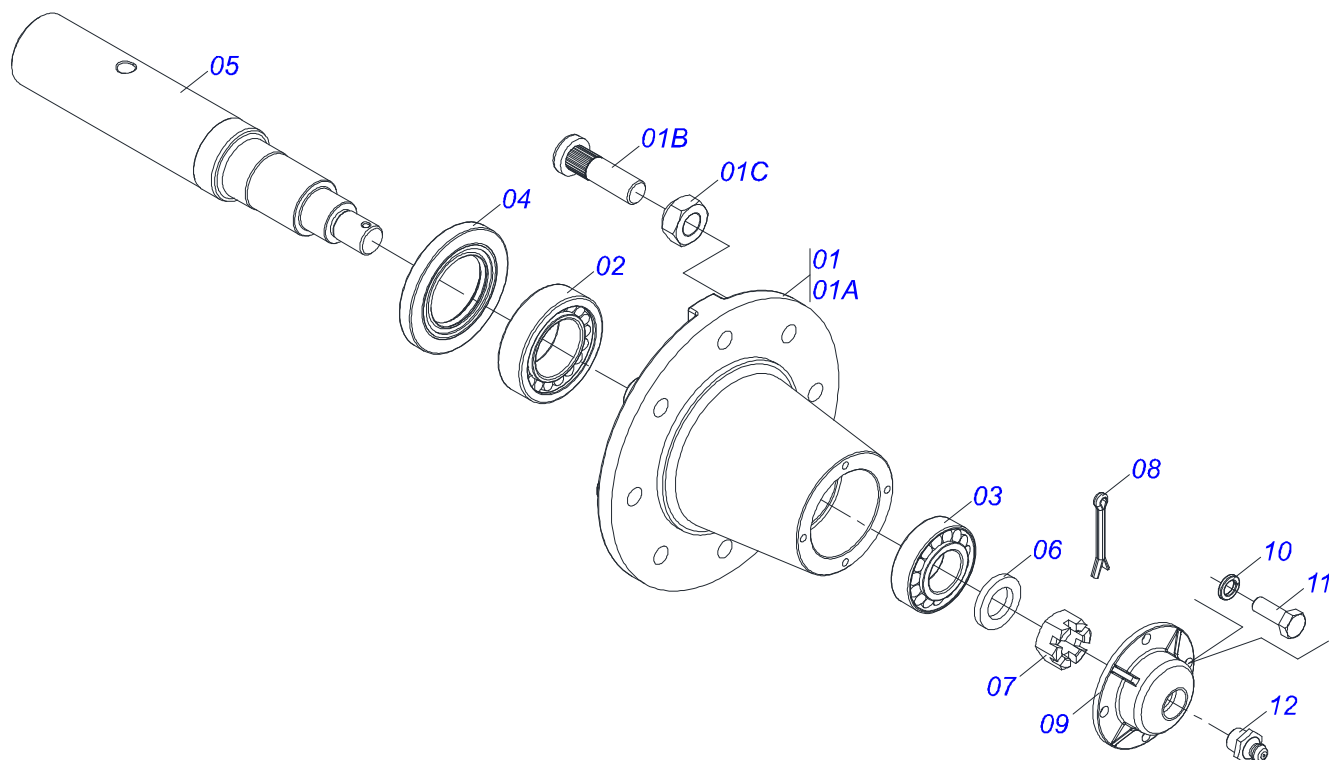
ASSY FRAME

0909091077

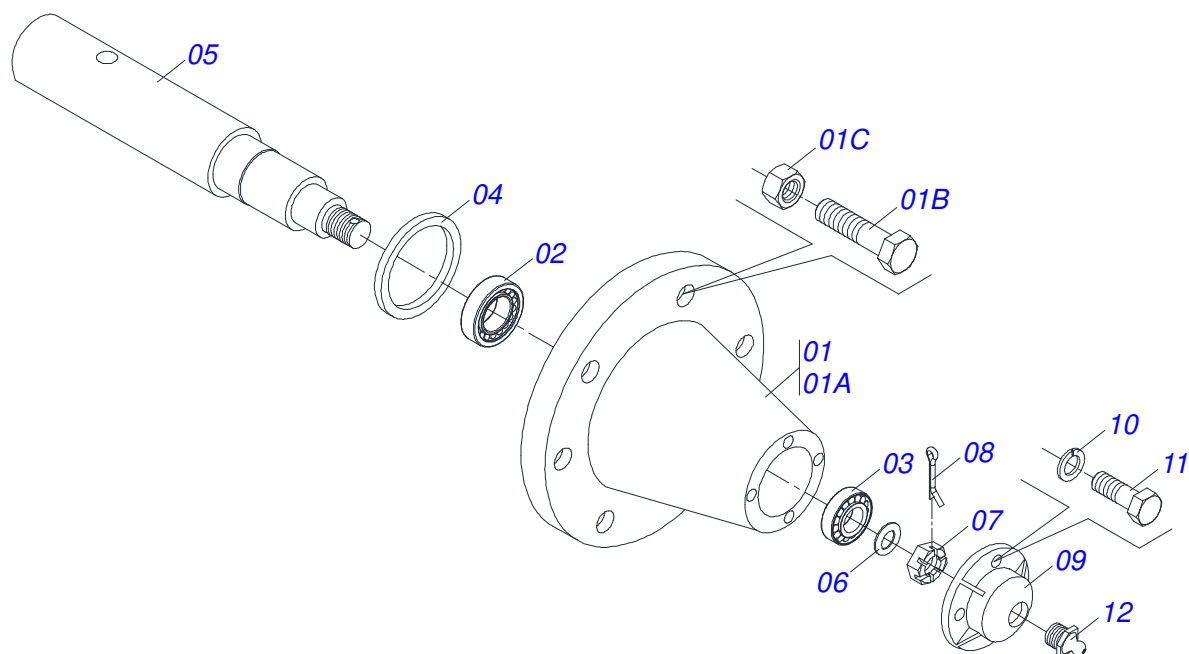
Item	Code	Description	See page	23	25	29
090	0511042165	2.1/2" ROD STOP ASSY		01	01	01
091	0511042166	2.1/2" ROD STOP ASSY		01	01	01
092	0501011432	1-1/2" AND 1-5/8 GANG BOLT WRENCH		01	01	01
093	0501061044	2-1/8" AND 2-1/2" CABLE FLAT WRENCH		02	02	02
094	0501062300	1-1/4" WRENCH CABLE CYLINDRICAL		01	01	01
095	0521011722	FLAT WASHER		01	01	01
096	0501069343	WRENCH FIXER		01	01	01
097	0501069350	230 PIVOT SHAFT WITH PULL		01	01	01
098	0503031035	HITCH PIN CLIP		01	01	01
099	0511010932	TRANSPORT LOCK		01	01	01
100	0511064985	TRANSPORT LOCK		02	02	02
101	0501068994	8,30 X 78 LOCK PIN		03	03	03
102	0503010003	1845 GREASE FITTING		03	03	03
103	0503060414	WHEEL AND TIRE		04	04	04
104	0503010373	SCREW 1/4 UNC X 2 CS G.2 ZN		02	02	02
105	0503010143	1/4" SPRING WASHER		02	02	02
106	0503010144	1/4" NUT		02	02	02
107	0503010765	3/8" X 3" BOLT		02	02	02
108	0503010025	3/8 SPRING WASHER		04	04	04
109	0503010026	3/8" NUT		02	02	02
110	0503010237	3/8" X 1" BOLT		02	02	02
111	0503012660	1" X 4" BOLT		10	10	10
112	0503013635	1" NUT		20	20	20
113	0501012140	FLAT WASHER		01	01	01
114	0503010002	1800 GREASE FITTING		01	01	01
115	0909090457	HYDRAULIC CIRCUIT	9	01	01	01
116	0909091078	DISC SECTION - 23/25/29D	14	23	25	29



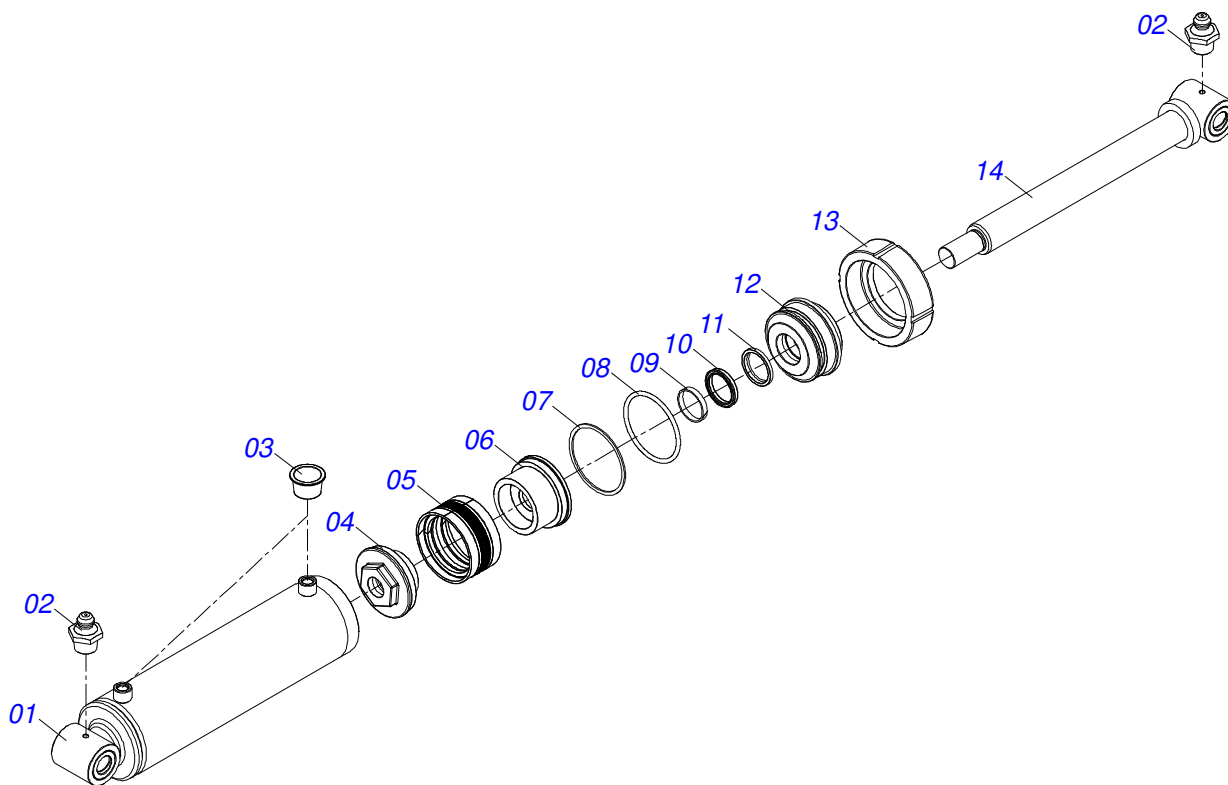
Item	Code	Description	See page	QT
00	0511041599	2 X 5 X 25,75 X 13,62 HYDRAULIC CYLINDER	2	01
01	0511064729	5" X 22" CYLINDER CASE		01
02	0511064728	2" X 23" TURNBUCLE		01
03	0502010382	5" END CAP		01
04	0502011000	2" X 5" RING SUPPORT		01
05	0503010039	D-2000 SCRAPER RING		01
06	0503010991	1870-2000-375-B GASKET		01
07	0503010952	W2-2250-500 RING		01
08	0503010351	2-425 N 3006-9B O'RING		01
09	0503011062	8-425 BACK-UP RING		01
10	0502010963	2.0" X 5.0" PISTON		01
11	0503010552	PACKING 3750-4250-625-B		02
12	0503010345	2-218 N 3006-9B O'RING		01
13	0503010974	W2-5000-500 RING		01
14	0503010817	1.1/4" SELF LOCKING NUT		01
15	0503010002	1800 GREASE FITTING		02
16	0501031961	HYDRAULIC CYLINDER REPAIR KIT		01



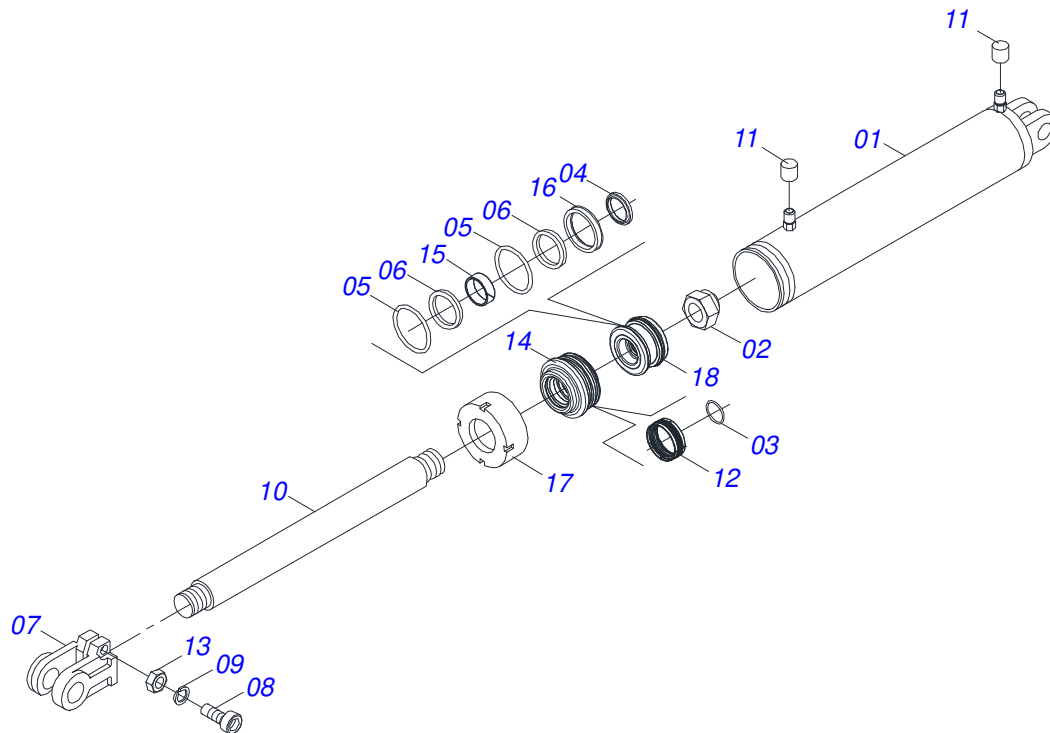
Item	Code	Description	See page	QT
01	0501110738	CARRYING WHEEL HUB	01	
01A	0502012260	TRANSPORT WHEEL BOX	01	
01B	0501010186	WHEEL SCREW 5/8UNF X 2.1/8CR	08	
01C	0503010064	5/8 UNF CONIC NUT	08	
02	0503010008	3780/3720 ROLLER BEARING	01	
03	0503014821	ROLLER BEARING	01	
04	0503013314	RETAINER 5166-GB 63,5 X 110 X 13 ARCA	01	
05	0511012494	SPINDLE	01	
06	0511012492	FLAT WASHER	01	
07	0503030009	1" CASTLE NUT	01	
08	0503010018	5/32 X 1-1/2 COTTERPIN	01	
09	0502020591	PROTECCION COVER	01	
10	0503011444	SPRING WASHER	04	
11	0503010358	5/16" X 5/8" BOLT	04	
12	0503010002	1800 GREASE FITTING	01	



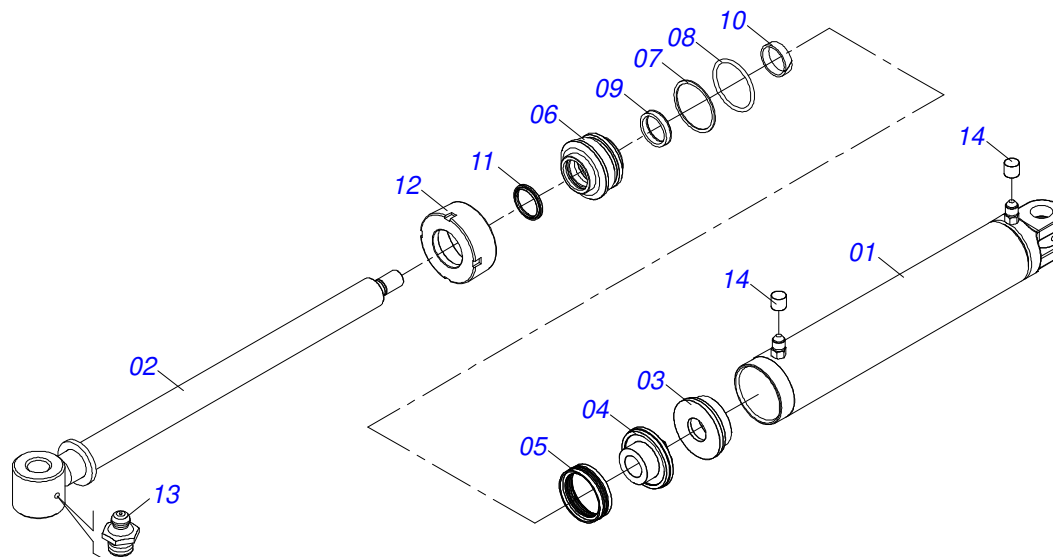
Item	Code	Description	See page	QT
01	0501110738	CARRYING WHEEL HUB		01
01A	0502012260	TRANSPORT WHEEL BOX		01
01B	0503010064	5/8 UNF CONIC NUT		08
01C	0501010186	WHEEL SCREW 5/8UNF X 2.1/8CR		08
02	0503011156	ROLAMENTO 2780/2720 IMP		01
03	0503010008	3780/3720 ROLLER BEARING		01
04	0503013314	RETAINER 5166-GB 63,5 X 110 X 13 ARCA		01
05	0511012494	SPINDLE		01
06	0511012492	FLAT WASHER		01
07	0503030009	1" CASTLE NUT		01
08	0503010018	5/32 X 1-1/2 COTTERPIN		01
09	0502020591	PROTECCION COVER		01
10	0503011444	SPRING WASHER		04
11	0503010358	5/16" X 5/8" BOLT		04
12	0503010002	1800 GREASE FITTING		01



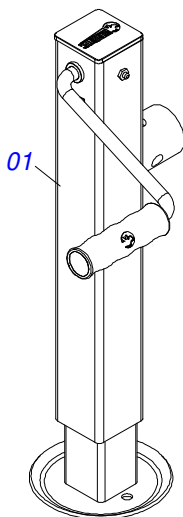
Item	Code	Description	See page	QT
01	0521061746	CYLINDER CASE		01
02	0503010002	1800 GREASE FITTING		02
03	0503030384	CON PLUG N-001		02
04	0502012645	PISTON BODY		01
05	0503015643	SEAL		01
06	0561016583	PISTON BODY		01
07	0503011062	8-425 BACK-UP RING		01
08	0503010351	2-425 N 3006-9B O'RING		01
09	0503015641	WEAR RING		00
10	0503015642	U-CUP SEALING		01
11	0503015715	SCRAPER SEALING		01
12	0502012646	RING SUPPORT		01
13	0502010382	5" END CAP		01
14	0521061684	56,98 X 590,50 TURNBUCKLE		01



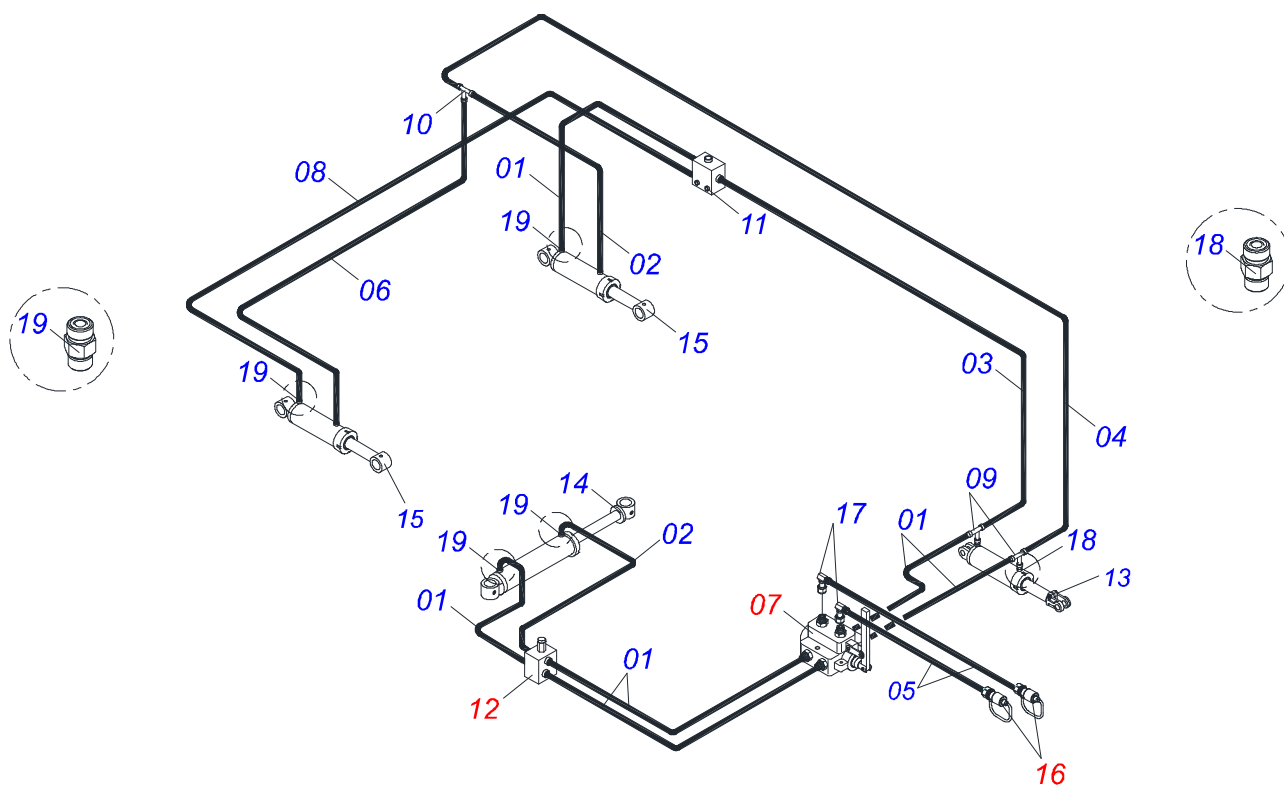
Item	Code	Description	See page	QT
01	0511061336	101,6 X 398 CYLINDER CASE		01
02	0503010817	1.1/4" SELF LOCKING NUT		01
03	0503010345	2-218 N 3006-9B O'RING		01
04	0503015636	SCRAPER SEAL		01
05	0503010338	2-342 N 3006-9B O'RING		02
06	0503011061	8-342 BACK-UP RING		02
07	0502040747	32.54 CLEVIS CLAMP		01
08	0503011094	3/8" X 2" BOLT		01
09	0503011443	3/8" SPRING WASHER		01
10	0521010422	HYDRAULIC CYLINDER TURNBUCKLE		01
11	0503030384	CON PLUG N-001		02
12	0503015633	SELEMASTER SEALING		01
13	0503010026	3/8" NUT		01
14	0581010678	50,80 X 101 RING SUPPORT		01
15	0503018025	RING GUIDE		01
16	0503018026	1870-2000-375 B GASKET		01
17	0502012822	101.60 END CAP		01
18	0502012842	50,80 X 101,60 PISTON		01
19	0511032511R	HYDRAULIC CYLINDER REPAIR KIT		01



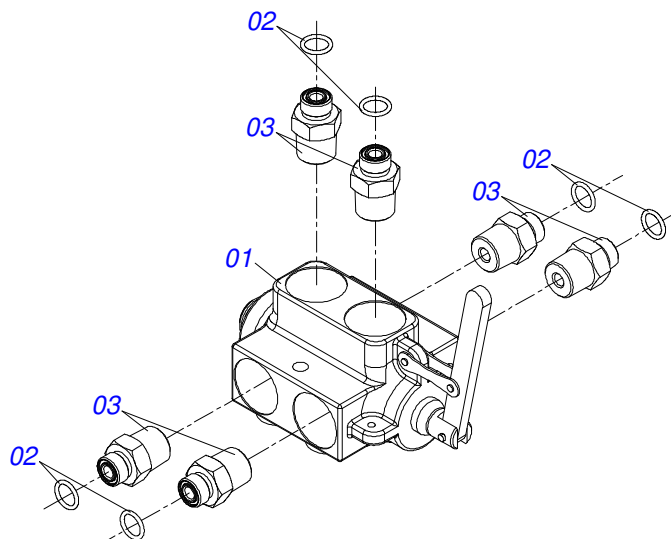
Item	Code	Description	See page	QT
01	0511065049	6" X 31" CYLINDER CASE		01
02	0511065050	2.5" X 34" TURNBUCLE		01
03	0561016818	PISTON BODY		01
04	0502012658	PISTON BODY		01
05	0503015912	SELEMASTER SEALING		01
06	0502012375	TURNBUCLE GUIDE		01
07	0503010704	2-357 N 3006-9B O'RING		01
08	0503010971	W2-2750-500 PK RING G.I		01
09	0503014960	GASKET		01
10	0503012497	RING (TEFLON)		01
11	0503010287	D-2500 SCRAPER RING		01
12	0541010615	MOVABLE COVER		01
13	0503010002	1800 GREASE FITTING		02
14	0503030384	CON PLUG N-001		02



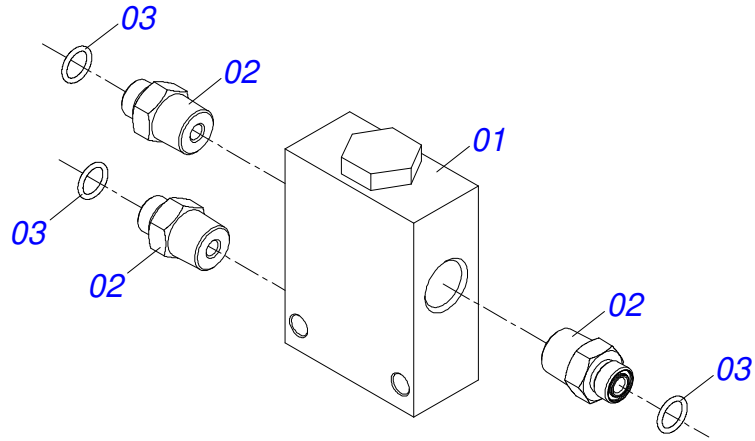
Item	Code	Description	See page	QT
01	0503062157	DRAWBAR JACK		01



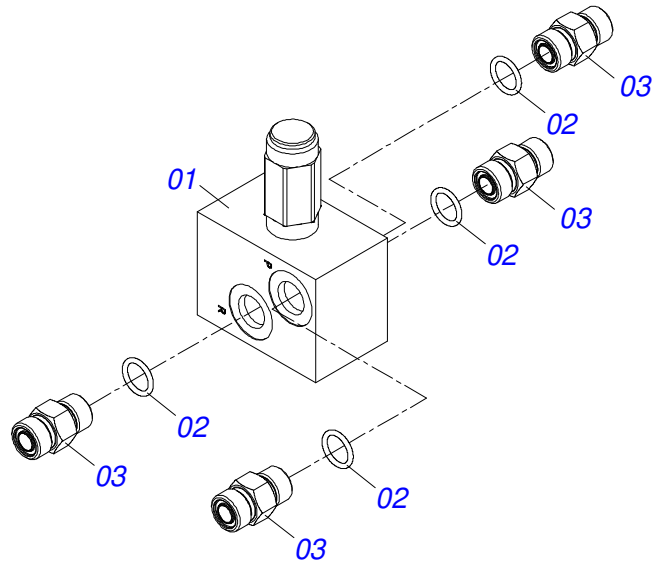
Item	Code	Description	See page	QT
01	0501080911	MANGUEIRA OFS 1/2 X 1300 TR-TR		06
02	0501080912	1/2" X 74.78" TR-TR HOSE ASSY		02
03	0501080913	MANGUERA 1/2 X 3600 TR-TR		01
04	0501080914	1/2" X 170" TR-TR HOSE ASSY		01
05	0501080915	1/2" X 180" TR-TM HOSE ASSY		02
06	0501080916	1/2" X 201.97" TR-TR HOSE ASSY		01
07	0511043139	VALVE ASSY	10	01
08	0501080918	1/2" X 212" TR-TR HOSE ASSY		01
09	0503013272	T 1/2" MALE ADAPTER ASSY		02
10	0503013273	T 1/2" MALE ADAPTER		01
11	0501055695	FLOW DIVIDING VALVE ASSY	11	01
12	0501055696	DISCHARGE VALVE OFS ASSY	12	01
13	0511058419	HYDRAULIC CYLINDER 50,80 X 101,60 X 514 X 206	6	01
14	0511050114	63,50 X 150 X 965 X 625 HYDRAULIC CYLINDER	7	01
15	0511050113	HYDRAULIC CYLINDER	5	02
16	0501053834	MALE QUICK COUPLER	13	04
17	0503013399	CONECTOR CURVED		02
18	0503032031	3/4" UNF REDUCTION NIPPLE		02
19	0503030923	3/4" UNF X 13/16UN OFS X 40 NIPPLE		06



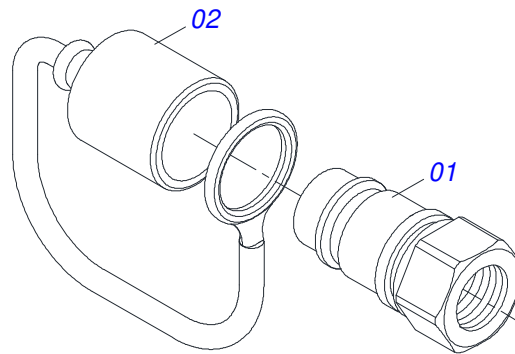
Item	Code	Description	See page	QT
01	0503013319	VALVE ASSY		01
02	0503032098	13/16" NIPPLE		06
03	0503010190	2-114 N 3006-9B O'RING		06



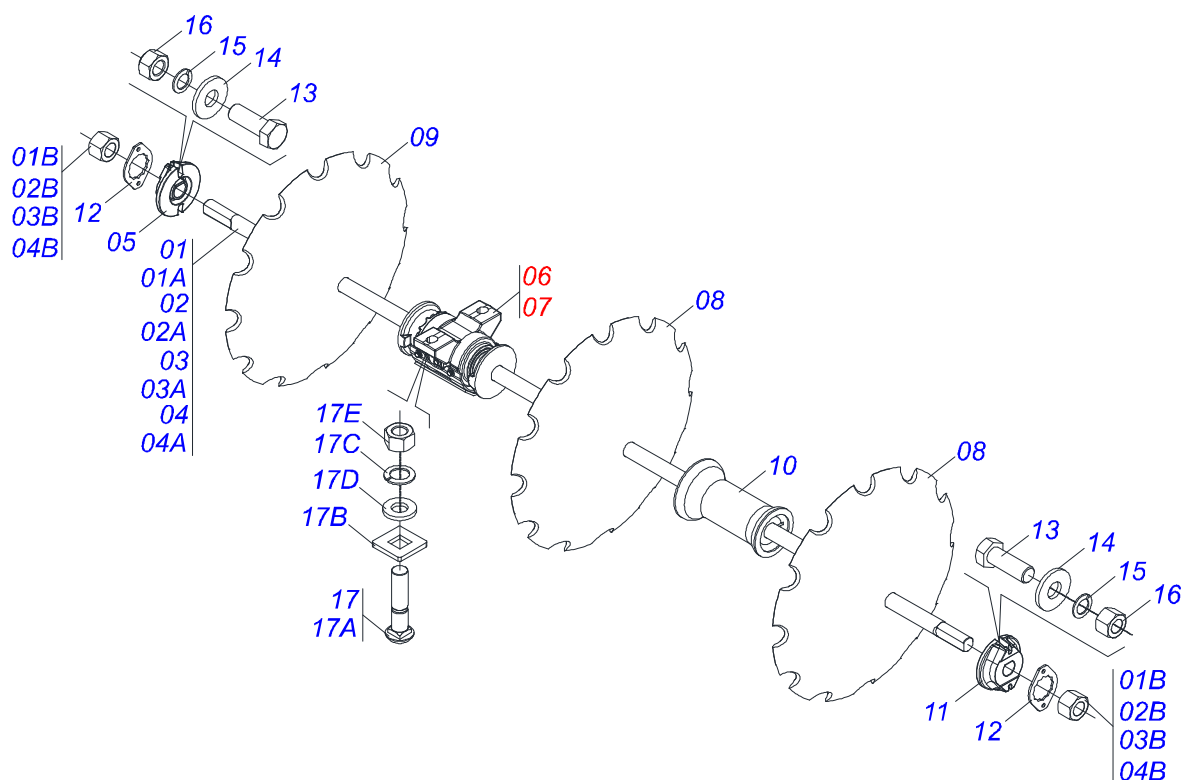
Item	Code	Description	See page	QT
01	0503012481	FLOW DIVIDING VALVE		01
02	0503030923	3/4" UNF X 13/16UN ODS X 40 NIPPLE		03
03	0503010190	2-114 N 3006-9B O'RING		03



Item	Code	Description	See page	QT
01	0503010919	DISCHARGE VALVE		01
02	0503010190	2-114 N 3006-9B O'RING		04
03	0503030923	3/4" UNF X 13/16UN OFS X 40 NIPPLE		04



Item	Code	Description	See page	QT
01	0503011627	MALE QUICK COUPLER AGR 1/2 NPT		01
02	0503011882	MALE QUICK COUPLER CAP		01



Item	Code	Description	See page	23	25	29
01	0501040690	2.1/2" X 80" AXLE WITH NUTS		01	00	03
01A	0501010357	2.1/2" X 81" AXLE		01	01	01
01B	0502040064	2.1/2" SNC X 70 99 NUT		02	02	02
02	0501040691	2-1/2" X 97" AXLE WITH NUTS		03	03	01
02A	0501010356	2-1/2" X 97" AXLE		01	01	01
02B	0502040064	2.1/2" SNC X 70 99 NUT		02	02	02
03	0501040692	2-1/2" X 115" AXLE WITH NUTS		00	01	00
03A	0501010355	2-1/2" X 115" AXLE		00	01	00
03B	0502040064	2.1/2" SNC X 70 99 NUT		00	02	00
04	0501040693	2.1/2" X 63" AXLE WITH NUTS		00	02	00
04A	0501010358	2.1/2" X 63" AXLE		00	01	00
04B	0502040064	2.1/2" SNC X 70 99 NUT		00	02	00
05	0502010593	2.1/2" EXTERNAL AXLE WASHER		04	04	06
06	0501040100	17" X 2-1/2" OIL BATH BEARING		04	04	06
07	0501040101	17" X 2-1/2" OIL BATH BEARING		04	04	06
08	0602048002	36" X 0.5" NOTCHED DISC BLADE		23	00	00
09	0602048001	36" X 0.3" 9" NOTCHED DISC BLADE		00	25	29
10	0502012220	2.1/2" X 17" SPACER		11	13	11
11	0502010592	2.1/2" INNER AXLE WASHER		04	04	06
12	0541010368	NUT LOCK		08	08	12
13	0503010232	5/8" X 1.3/4" BOLT		16	16	24
14	0501012140	FLAT WASHER		16	16	24
15	0503010027	5/8 SPRING WASHER		16	16	24
16	0503010013	5/8 NUT		16	16	24
17	0501041301	1.1/4" X 5.3/4" ASSY BOLT		16	16	24
17A	0501010954	1.1/4" X 5.3/4" BOLT		01	01	01
17B	0501010953	1-1/4" SQUARE WASHER		01	01	01
17C	0503010070	SPRING WASHER		01	01	01
17D	0531010713	FLAT WASHER		01	01	01
17E	0501010087	1.1/4" NUT		01	01	01



MARCHESAN



ANNOTATION

Lined writing area consisting of horizontal lines for text entry.





MARCHESAN

Technical Publications | Elaboration and Revision

JOSÉ DOMINGOS GASPARI

www.marchesan.com.br

