

CATÁLOGO DE PEÇAS

GRADES ARADORAS

GAPCW-STDRH - EIXO 2.1/2"

Código: 0501091467



Série: S-0304

Rev.: 00

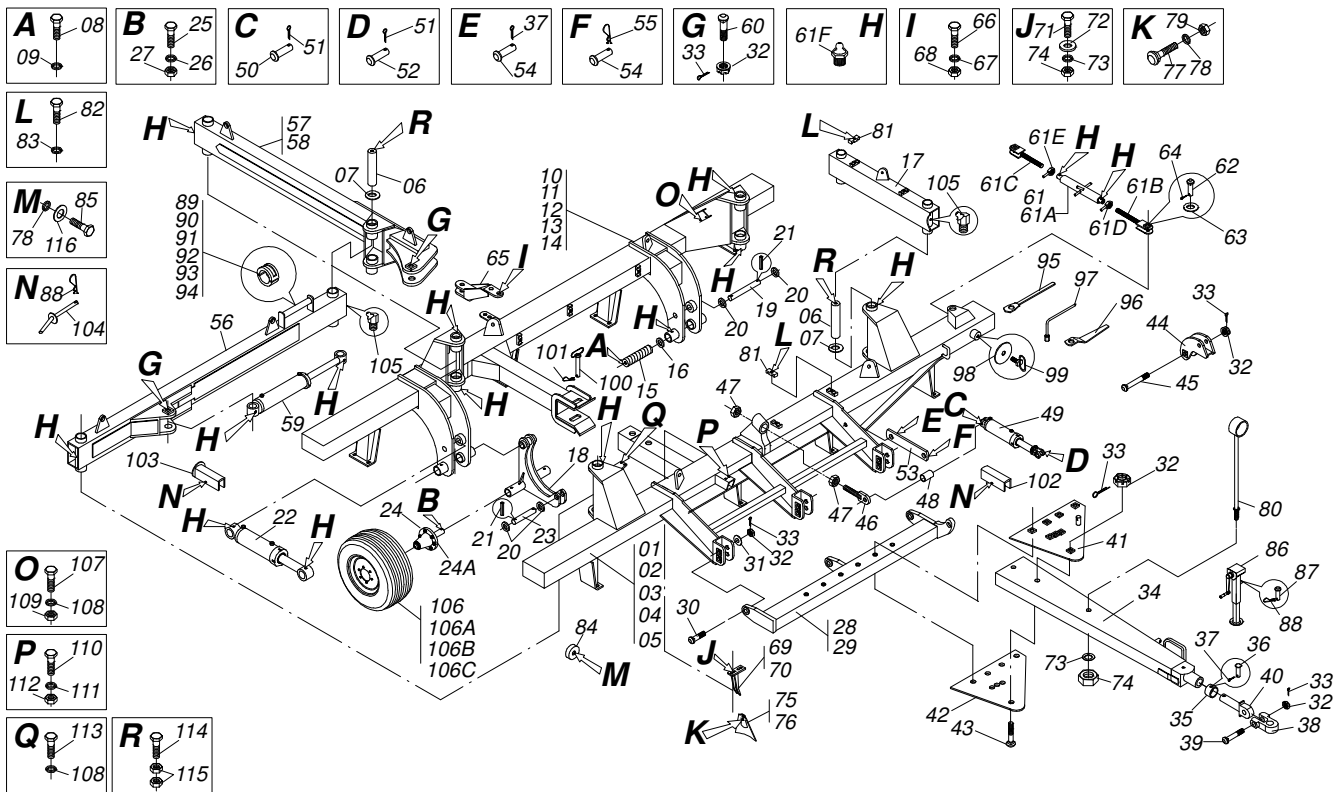
Data Rev.: MARÇO/2014

PEÇAS ORIGINAIS
TATU



INDICE

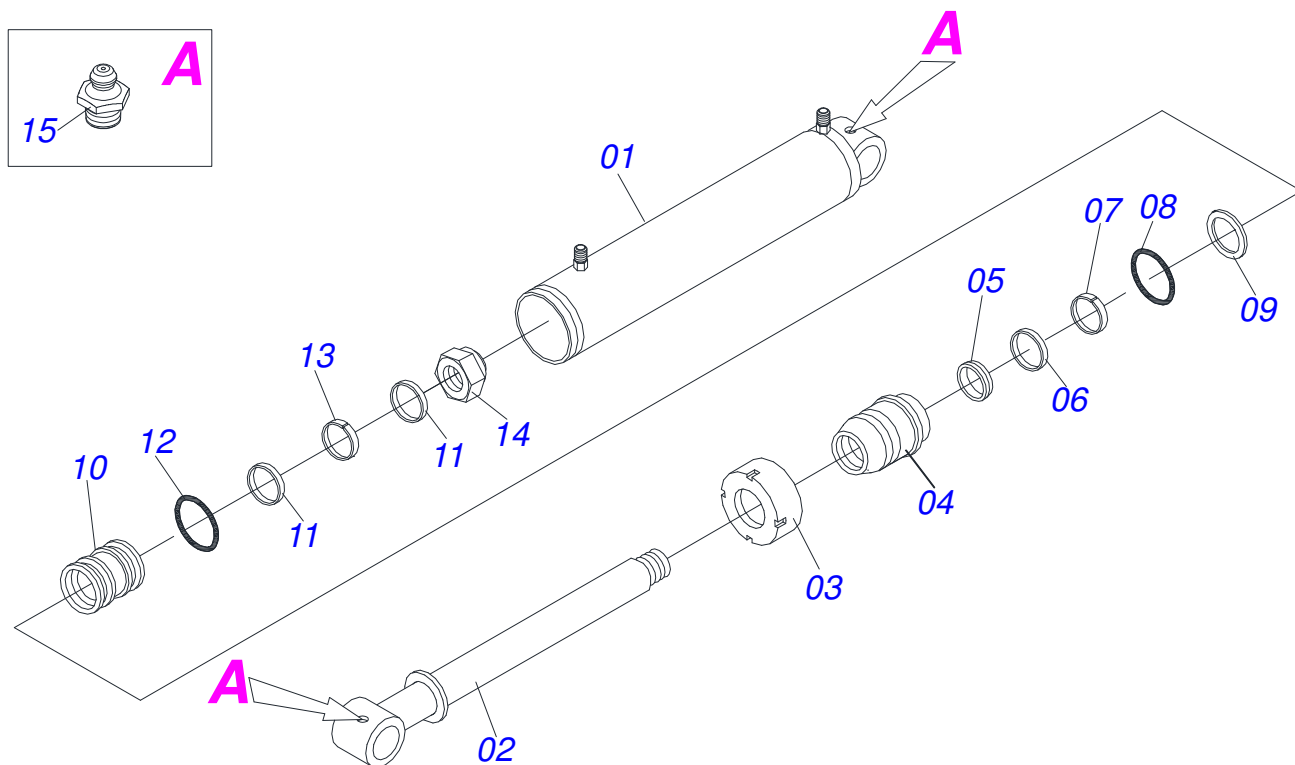
0909091071	GAPCW STDRH (S-0304)	1
0511041599	CIL H 50,8 X 127 X 654 X 346 GAPCW	2
0511041598	CIL H 44,45 X 76,2 X 515 X 203GAPCW	3
0511041600	CIL H 63,5 X 150 X 965 X 625 GASPCW	4
0501055263	RODADO S/PN C/ROL NAC GCRO 2240	5
0909091073	SEÇÃO DE DISCOS	6
0511042290	MANCAL AGR DM 330 X 2.1/2 C/PROT	7
0909090457	CIRCUITO HIDRÁULICO	8
0909091173	CIRCUITO HIDRÁULICO SÉRIE (11/04)	9



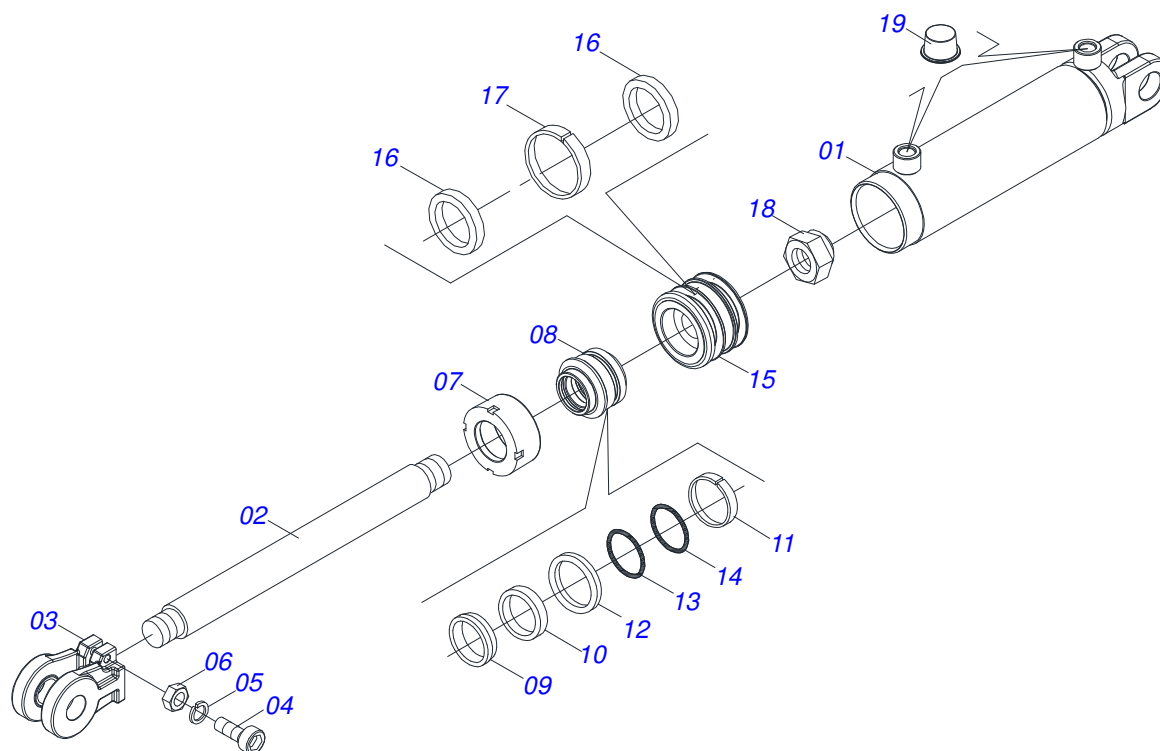
Item	Código	Descrição	31	35	39	41	45
001	0511065631	CHASSI DIANT GAPCW 31 SDTRH S-0304	01				
002	0511065442	CHASSI DIANT GAPCW 35 STDRH S-0304		01			
003	0511065443	CHASSI DIANT GAPCW 39 STDRH S-0304			01		
004	0511065748	CHASSI DIANT GAPCW 41 STDRH S-0304				01	
005	0511065461	CHASSI DIANT GAPCW 45 STDRH S-0304					01
006	0541011899	EIXO JUNCAO 74 X 508 GASPCW ZN S-0304	05	05	05	05	05
007	0511013244	ARRUELA LISA 26 X 100 X 12,50 ZN	10	10	10	10	10
008	0503011250	PARAF 1 UNC X 2 C S G.7 ZN	04	04	04	04	04
009	0503010012	ARRUELA PRESSAO 1 ZN 1K01602	04	04	04	04	04
010	0511065632	CHASSI TRAS GAPCW 31 SDTRH S-0304	01				
011	0511065444	CHASSI TRAS GAPCW 35 STDRH S-0304		01			
012	0511065445	CHASSI TRAS GAPCW 39 STDRH S-0304			01		
013	0511065749	CHASSI TRAS GAPCW 41 STDRH S-0304				01	
014	0511065462	CHASSI TRAS GAPCW 45 STDRH S-0304					01
015	0531018062	EIXO JUNCAO 408 GASPCW	02	02	02	02	02
016	0521011565	ARRUELA LISA 26,50 X 80 X 9,50 ZN	04	04	04	04	04
017	0511065374	JUNCAO EIXO 3 GAPCW 45 S-0304	01	01	01	01	01
018	0511064655	SUPT RODADO GAPCW/GASPCW	02	02	02	02	02
019	0531018105	EIXO ARTIC 31,75 X 300 GASPCW 25 ZN	02	02	02	02	02
020	0501017779	ARRUELA LISA 32 X 60 X 4,75 ZN	08	08	08	08	08
021	0503011877	PINO ELAST 701194 8 X 60	08	08	08	08	08
022	0511041599	CIL H 50,8 X 127 X 654 X 346 GAPCW	02	02	02	02	02
023	0531018101	EIXO ARTIC 31,75 X 160 GASPCW	02	02	02	02	02
024	0501055263	RODADO S/PN C/ROL NAC GCRO 2240	04	04	04	04	04
024A	0501051885	RODADO S/PNEU GAPCW/GCRO	04	04	04	04	04
025	0503010547	PARAF 1/2 UNC X 4 C S G.5 ZN	04	04	04	04	04
026	0503010019	ARRUELA PRESSAO 1/2 ZN 1K01556	04	04	04	04	04
027	0503010060	PORCA S. 1/2 UNC G.5 ZN	04	04	04	04	04
028	0511065629	BARRA ENGATE 2585 GAPCW 31	01				
029	0511064166	BARRA ENG 3685 GAPCW		01	01	01	01
030	0531018099	EIXO JUNCAO 37,50 X 190 (PESC. QUAD) GASPCW	02	02	02	02	02
031	0521011721	ARRUELA LISA 40 X 100 X3,0 GAPCW ZN	03	03	03	03	03
032	0501011301	PORCA CAST 1.1/2UNC 6FPP SEX2.5/16ZN	12	12	12	12	12

Item	Código	Descrição	31	35	39	41	45
033	0503010010	CONTRAPINO 1/4 X 2.1/2	12	12	12	12	12
034	0511064669	BARRA TRACAO GAPCW/GASPCW	01	01	01	01	01
035	0502040327	ANEL TRAVA ENG STA	01	01	01	01	01
036	0501011136	PINO 26 X 100 (1.1/2 X 107) GCRO ZN	01	01	01	01	01
037	0503010571	CONTRAPINO 1/4 X 1.1/2	02	02	02	02	02
038	0502040733	U ENG C/ FQ 76MM FR 60,3 GAPCW	01	01	01	01	01
039	0521012545	EIXO JUNCAO 38,00 X 183 PQ GASP / GASPM	01	01	01	01	01
040	0502040727	EIXO JUNCAO RH 91C	01	01	01	01	01
041	0511064659	PLACA SUP GAPCW 45	01	01	01	01	01
042	0511064658	PLACA INF GAPCW 45	01	01	01	01	01
043	0531019124	EIXO JUNCAO 37,50X245 PQ GAPCW 45 ZN	06	06	06	06	06
044	0511064656	ARTICD CAB GAPCW 45	01	01	01	01	01
045	0521012053	EIXO 37,50 X 220 PQ GCRO 2240/7010 ZN	01	01	01	01	01
046	0511064433	FUSO REGULADOR 1.3/4 GASPCW	01	01	01	01	01
047	0501010333	PORCA 1.3/4 UN 7FPP ZN	02	02	02	02	02
048	0511019920	LUVA 32,70 X 38,80 X 25,40 GCRO	01	01	01	01	01
049	0511041598	CIL H 44,45 X 76,2 X 515 X 203GAPCW	01	01	01	01	01
050	0521012538	EIXO JUNCAO 31,75 X 90 FURO 75 ZN	01	01	01	01	01
051	0503010523	CONTRAPINO 1/4 X 2 1G13201	02	02	02	02	02
052	0531019171	EIXO JUNCAO 31,75 X 177 ZN	01	01	01	01	01
053	0541011205	TRAVA SEGURANCA CABECALHO GSPCW25	02	02	02	02	02
054	0521010572	EIXO JUNCAO 25 X 75 FURO 60 ZN GNL	02	02	02	02	02
055	0503030012	CUPILHA 4 X 88	01	01	01	01	01
056	0511065375	BARRA ESTAB DIANT GAPCW S-0304	01	01	01	01	01
057	0511065630	BARRA ESTAB TRAS GAPCW 31 S-0304	01				
058	0511065377	BARRA ESTAB TRAS GAPCW 35-45 S-0304		01	01	01	01
059	0511041600	CIL H 63,5 X 150 X 965 X 625 GASPCW	01	01	01	01	01
060	0531018100	EIXO JUNCAO 37,50 X200 GASPCW 25 ZN	02	02	02	02	02
061	0501054606	EXTENSOR JUNCAO COMPL GAPCW 45	01	01	01	01	01
061A	0511064657	EXTENSOR JUNCAO GAPCW 45	01	01	01	01	01
061B	0501069333	FUSO EXTENSOR ESQ GAPCW	01	01	01	01	01
061C	0501069334	FUSO EXTENSOR DIR GAPCW	01	01	01	01	01
061D	0501069331	CONTRAPORCA 2.1/8 ESQ C/MANIP GCRO	01	01	01	01	01
061E	0501069330	CONTRAPORCA R 2.1/8 DIR C/MANIP GCRO 2240	01	01	01	01	01
061F	0503010002	GRAXEIRA 1800	30	30	30	30	30
062	0521012868	EIXO ARTIC 37,2X125 PQ PCA800 ZN	02	02	02	02	02
063	0501010237	ARRUELA LISA 41 X 56 X 4,75 ZN	02	02	02	02	02
064	0503010534	CONTRAPINO 3/8 X 2.1/2 ZN 1G13300	02	02	02	02	02
065	0511064810	ENG TRAS STD GAPCW/GASPCW	01	01	01	01	01
066	0503011346	PARAF 7/8 NC X 3.1/2 C S G.5 ZN	02	02	02	02	02
067	0503010408	ARRUELA PRESSAO 7/8 ZN	02	02	02	02	02
068	0503010417	PORCA S. 7/8 UNC (PESADA) G.5 ZN	02	02	02	02	02
069	0511064771	SUPT LIMP GAPCW/GASPCW	15	17	19	20	22
070	0511064772	SUPT LIMP TRAS GAPCW/GASPCW	16	18	20	21	23
071	0501010500	PARAF 3/4 UNC X 3 C S G.5 ZN	62	70	78	82	90
072	0541010763	ARRUELA LISA 20,50 X 42 X 6,30 ZN	62	72	78	82	90
073	0503010023	ARRUELA PRESSAO 3/4 ZN 1K01584	64	75	81	85	93
074	0503010014	PORCA S. 3/4 UNC (PESADA) G.5 ZN	93	73	79	83	91
075	0521013678	LIMPADOR DIANT GVMF 60903 3443376	15	17	19	20	22
076	0521013679	LIMPADOR TRAS GVMF 60904 3443385	16	18	20	21	23
077	0503012195	PARAF 5/8 X1.1/4NC CAPQ G.5 1K20328	62	70	78	82	90
078	0503010027	ARRUELA PRESSAO 5/8 ZN 1K01574	62	70	78	82	90
079	0503010013	PORCA S. 5/8 UNC G.5 ZN	62	70	78	82	90
080	0511064470	SUPT MANG GASPCW 25	01	01	01	01	01
081	0502010477	CORPO SUP PRESILHA	07	07	07	07	07
082	0503011135	PARAF 7/16 UNC X 1.1/2 C S G.5 ZN	07	07	07	07	07
083	0503010180	ARRUELA PRESSAO 7/16 ZN 1K01546	07	07	07	07	07
084	0521011481	BATD CHASSI GAPCW	01	01	01	01	01
085	0501010108	PARAF 5/8 UNC X 1 C S G.5 ZN	01	01	01	01	01
086	0511041259	MACACO COMPL CAB DUPLO ULTRA/COP	01	01	01	01	01
087	0521010549	EIXO JUNCAO 12,70X60 CA GT M1120 ZN	01	01	01	01	01
088	0503030168	CUPILHA 3 X 50 SDA 11/6	04	04	04	04	04

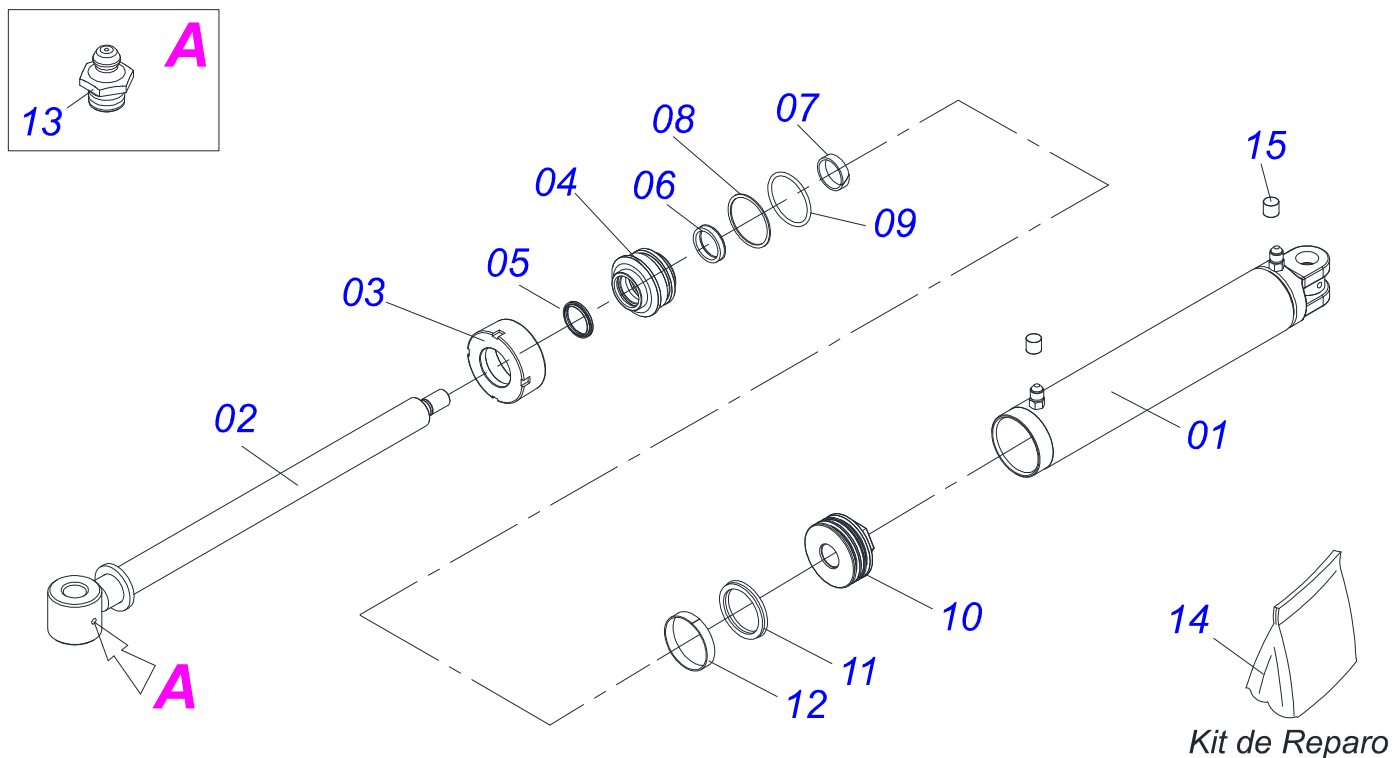
Item	Código	Descrição	31	35	39	41	45
089	0511042161	TOPADOR 2.1/2" X 25 COMPL GASPCW	01	01	01	01	01
090	0511042162	TOPADOR 2.1/2" X 30 COMPL GASPCW	01	01	01	01	01
091	0511042163	TOPADOR 2.1/2" X 35 COMPL GASPCW	01	01	01	01	01
092	0511042164	TOPADOR 2.1/2" X 40 COMPL GASPCW	01	01	01	01	01
093	0511042165	TOPADOR 2.1/2" X 50 COMPL GASPCW	01	01	01	01	01
094	0511042166	TOPADOR 2.1/2" X 61 COMPL GASPCW	01	01	01	01	01
095	0501011432	CHAVE 1.1/2 E 1.5/8 CABO CHATO	01	01	01	01	01
096	0501061044	CHAVE 2.1/8 E 2.1/2 CABO CHATO	02	02	02	02	02
097	0501061045	CHAVE 1 CABO CIL	01	01	01	01	01
098	0521011722	ARRUELA LISA 20,64 X 120 X 4,00 ZN	01	01	01	01	01
099	0501069343	FIXD CHAVES GAPCW	01	01	01	01	01
100	0501069350	EIXO ARTIC 230 C/ PUXADOR GAPCW ZN	01	01	01	01	01
101	0503031035	CUPILHA 6 X 88	01	01	01	01	01
102	0511010932	TRAVA P/TRANSP 225 X 47 GAPCW	01	01	01	01	01
103	0511064985	TRAVA P/TRANSP 370 X 54 GAPCW	02	02	02	02	02
104	0501068994	EIXO TRAVA 8,30 X 78 GTL/GTM ZN	03	03	03	03	03
105	0503010003	GRAXEIRA 1845 3/8	03	03	03	03	03
106	0503060414	RODA C/PNEU11L15 RAIADO BL-12L 8F	04	04	04	04	04
106A	0503012108	RODA 10 LB X 15 X 8F X 203 GCRO	04	04	04	04	04
106B	0503010860	CAMARA AR 11L 15	04	04	04	04	04
106C	0503011469	PNEU 11-15 RAIADO BL - 12L	04	04	04	04	04
107	0503010373	PARAF 1/4 UNC X 2 C S G.2 ZN	02	02	02	02	02
108	0503010143	ARRUELA PRESSAO 1/4 ZN 1K01518	02	02	02	02	02
109	0503010144	PORCA S. 1/4 UNC G.5 ZN	02	02	02	02	02
110	0503010765	PARAF 3/8 UNC X 3 C S G.5 ZN	02	02	02	02	02
111	0503010025	ARRUELA PRESSAO 3/8 ZN 1K01527	04	04	04	04	04
112	0503010026	PORCA S. 3/8 UNC G.5 ZN	02	02	02	02	02
113	0503010237	PARAF 3/8 UNC X 1 C S G.5 ZN	02	02	02	02	02
114	0503012660	PARAF 1 UNC X 4 CSRT G.7 ZN	10	10	10	10	10
115	0503013635	PORCA 1 NC SEXT 1.5/8 BAIX ZN	20	20	20	20	20
116	0501012140	ARRUELA LISA 16,50 X 40 X 4,00 ZN	01	01	01	01	01



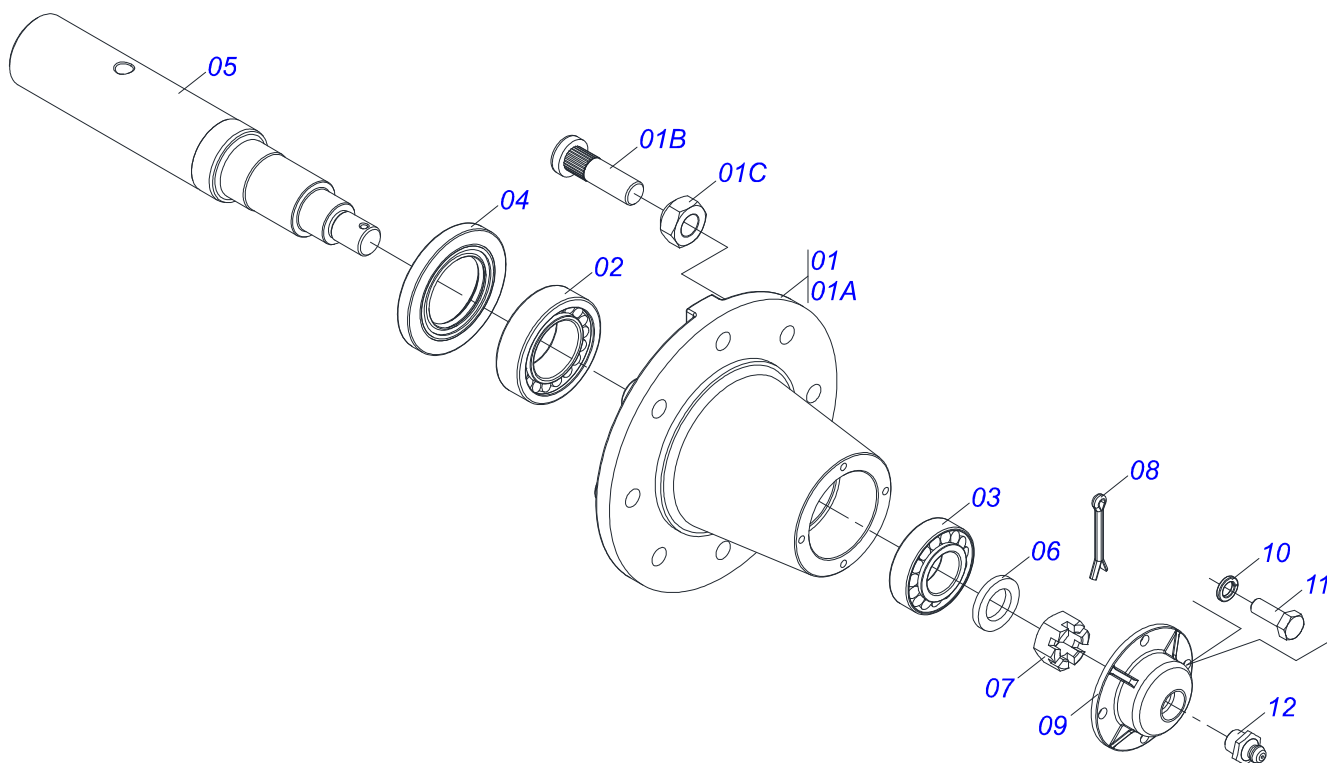
Item	Código	Descrição	QT
00	0511041599	CIL H 50,8 X 127 X 654 X 346 GAPCW	01
01	0511064729	CAMISA 127 X 551	01
02	0511064728	EXTENSOR 50,80 X 580	01
03	0502010382	TAMPA MOVEL 127	01
04	0502011000	SUPT ANEIS 50,8 X 127	01
05	0503010039	ANEL RASPD D-2000 1G24231	01
06	0503010991	GAXETA 1870-2000-375-B 1G17225	01
07	0503010952	ANEL G.I.2 X3X1/2 W2-2250-500 PK	01
08	0503010351	ANEL O RING 2-425 N 3006-9B	01
09	0503011062	ANEL BACK-UP 8-425	01
10	0502010963	EMBOLO 50,8 X 127	01
11	0503010552	GAXETA 3750-4250-625-B	02
12	0503010345	ANEL O RING 2-218 N 3006-9B 1G04609	01
13	0503010974	ANEL G.E.5 X3X1/2 W2-5000-500 PK	01
14	0503010817	PORCA S. AUTOTRAV C/NYLON 1.1/4 UNF ALTA G.5 ZN	01
15	0503010002	GRAXEIRA 1800	02
16	0501031961	JOGO REP COMPL CIL 50,8 X 127	01



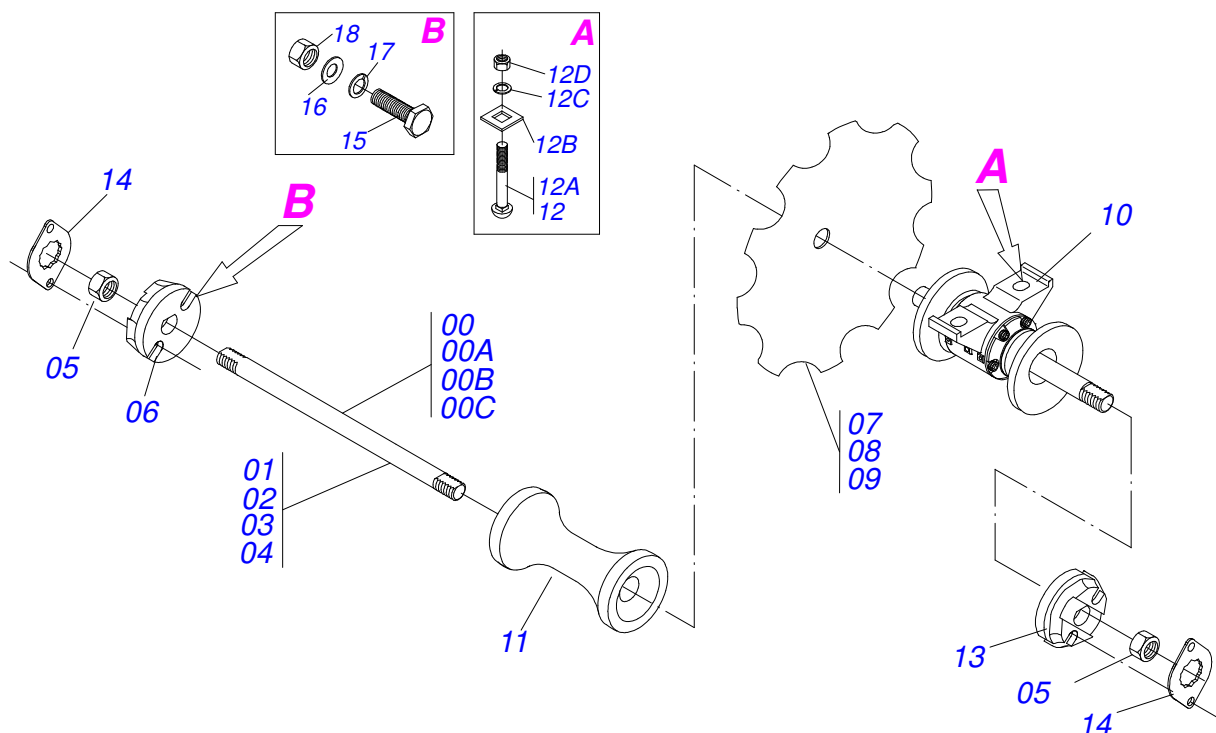
Item	Código	Descrição	QT
01	0511064734	CAMISA 76,20 X 383 GAPCW	01
02	0531019381	EXTENSOR 44,45 X 396 GAPCW	01
03	0502040747	GARFO 32,54	01
04	0503011094	PARAF 3/8 UNC X 2 C C S I 12.9	01
05	0503010025	ARRUELA PRESSAO 3/8 ZN 1K01527	01
06	0503010026	PORCA S. 3/8 UNC G.5 ZN	01
07	0502011899	TAMPA MOVEL 76,2 STA3	01
08	0502011897	SUPT ANEIS 44,45 X 76,2 STA3-RT	01
09	0503010761	ANEL RASPD D-1750	01
10	0503010990	GAXETA 1870-1750-375-B	01
11	0503010949	ANEL G.I.1.3/4X3X1/2 W2-2000-500 PK	01
12	0503011059	ANEL BACK-UP 8-334 1G31146	01
13	0503010343	ANEL O RING 2-334 N 3006-9B 1G85259	01
14	0503010345	ANEL O RING 2-218 N 3006-9B 1G04609	01
15	0502011898	EMBOLO 44,45 X 76,2	01
16	0503012768	GAXETA 3750-2250	02
17	0503010992	ANEL G.E.3 X3X1/2 W2-3000-500 PK	01
18	0503010063	PORCA S. AUTOTRAV C/NYLON 1 UNS ALTA G.5 ZN	01
19	0503030384	PLUG CON N-001	02
20	0501033655	JOGO REP COMPL CIL 44,45 X 76,2	01



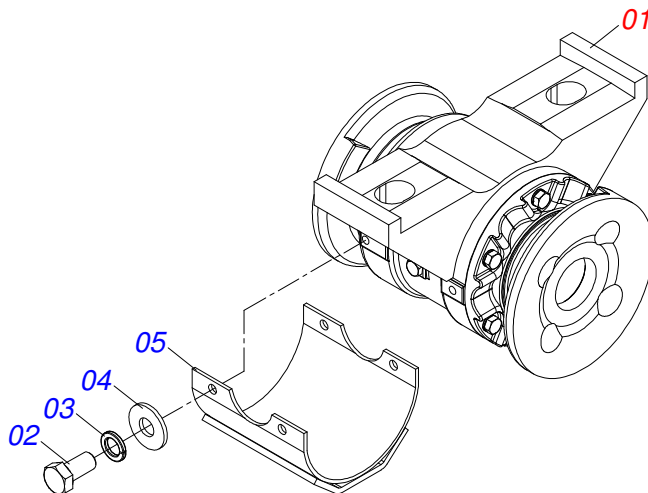
Item	Código	Descrição	QT
00	0511041600	CIL H 63,5 X 150 X 965 X 625 GASPCW	01
01	0511065049	CAMISA 150 X 785 GASPCW	01
02	0511065050	EXTENSOR 63,50 X 857 GASPCW	01
03	0541010615	TAMPA MOVEL 150 GASPCW	01
04	0502012375	GUIA HASTE CIL H 63,50 X 127	01
05	0503010287	ANEL RASPD D-2500 1G24251	01
06	0503014960	GAXETA RUE302500-Z04 BUZAK	01
07	0503012497	ANEL TEFLON CH 61000 1G06109	01
08	0503010704	ANEL O RING 2-357 N 3006-9B	01
09	0503010971	ANEL G.I.2.1/2X3X1/2 W2-2750-500 PK	01
10	0502012319	EMBOLO 150 (OE)	01
11	0503013441	GAXETA OE 150-PT0401500-T46N	02
12	0503012825	ANEL TEFLON CH 61100 1G06118	01
13	0503010002	GRAXEIRA 1800	02
14	0501034665	JOGO REP COMPL CIL 63,5 X 150	01
15	0503030384	PLUG CON N-001	02



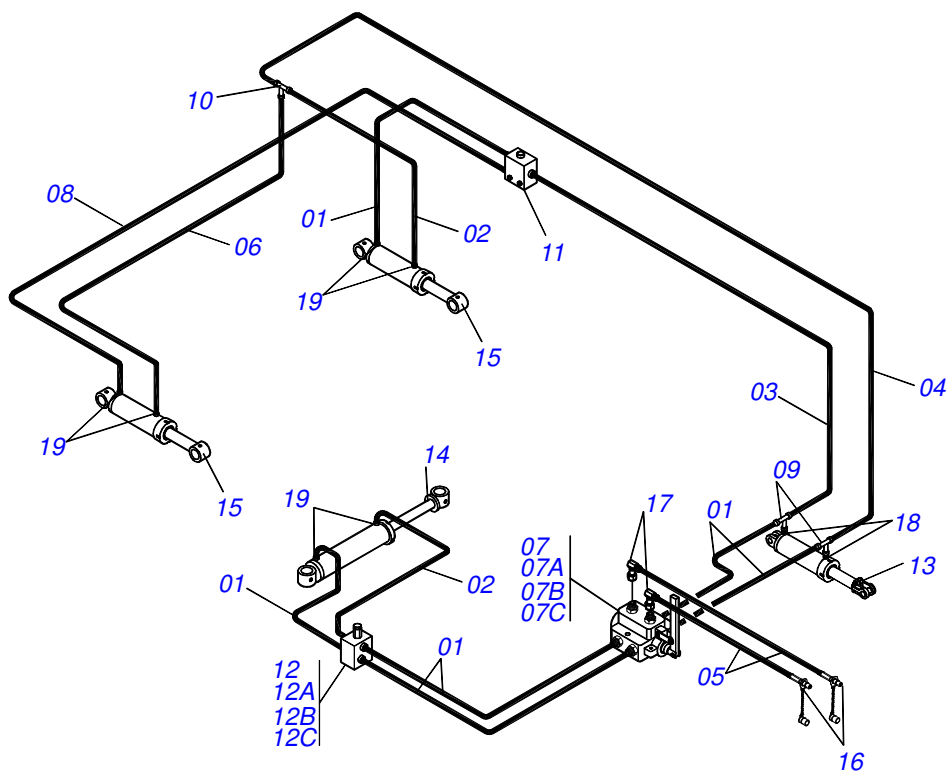
Item	Código	Descrição	QT
01	0501110738	CX RODADO TRANSP C/PARAF GCRO 2240	01
01A	0502012260	CX RODADO TRANSPORTE GCRO 2240	01
01B	0501010186	PARAF ROD 5/8UNFX2.1/8CR G.5 REC ZN	08
01C	0503010064	PORCA CONICA 5/8 NF ZN	08
02	0503010008	ROL 3780/3720	01
03	0503014821	ROL 2780/2720 NAC	01
04	0503013314	RET 5166-GB 63,5 X 110 X 13 ARCA	01
05	0511012494	PONTA EIXO	01
06	0511012492	ARRUELA LISA 28 X 46 X 6,30 ZN	01
07	0503030009	PORCA CAST 1 UNS 14FPP X 22 ZN	01
08	0503010018	CONTRAPINO 5/32 X 1.1/2	01
09	0502020591	TAMPA PROT 1G72673 PSA	01
10	0503011444	ARRUELA PRESSAO 5/16 SA	04
11	0503010358	PARAF 5/16 UNC X 7/8 C S G.5 ZN	04
12	0503010002	GRAXEIRA 1800	01



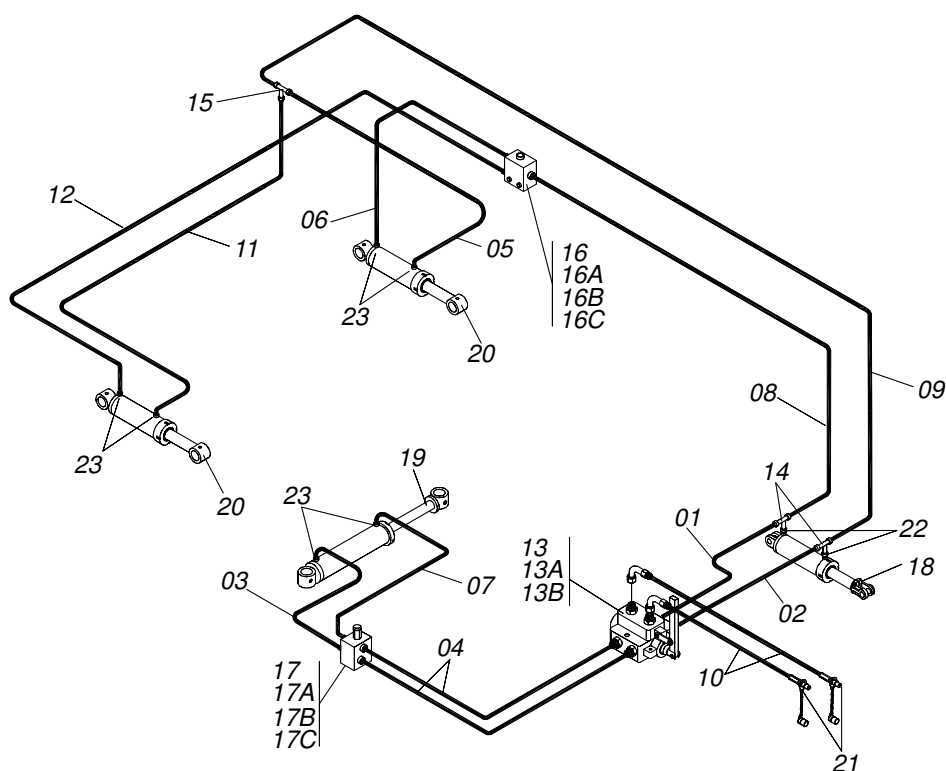
Item	Código	Descrição	31	35	39	41	45
00	0511042421	EIXO 2.1/2 X 2315 C/PORCAS GAPCW 45	01	00	03	03	03
00A	0511042422	EIXO 2.1/2 X 2670 C/PORCAS GAPCW 45	03	00	00	01	03
00B	0511042483	EIXO 2.1/2 X 1650 C/PORCAS GAPCW	00	01	00	00	00
00C	0511042484	EIXO 2.1/2 X 1985 C/PORCAS GAPCW	00	05	03	02	00
01	0541011893	EIXO 2.1/2 X 2315 GAPCW 45	01	00	03	03	03
02	0541011894	EIXO 2.1/2 X 2655 GAPCW 45	03	00	00	01	03
03	0541012128	EIXO 2.1/2 X 1650 GAPCW	00	01	00	00	00
04	0541012129	EIXO 2.1/2 X 1985 GAPCW 35 S-0304	00	05	03	02	00
05	0502040064	PORCA R2.1/2UNC 7FPP X 70 SEXT 99	08	12	12	12	12
06	0502010593	TRAVA EIXO EXT 2.1/2 GASP	04	06	06	06	06
07	0602044002	DR32X9 C115AF04FR2.9/16 10REC TATU	31	35	39	41	00
08	0602046001	DR34X9 C120AF04FR2.9/16 12R TAT/CIV	00	35	39	41	45
09	0602048001	DR36X9 C133AF04FR2.9/16 12REC TATU	00	35	39	00	45
10	0511042290	MANCAL AGR DM 330 X 2.1/2 C/PROT	08	12	12	12	12
11	0502011425	SEPD 330 X 2.1/2 GAPCW	19	17	21	23	27
12	0501041301	PARAF 1.1/4 UNC X 5.3/4 CA COMPL	16	24	24	24	24
12A	0501010954	PARAF 1.1/4 UNC X 5.3/4 C A 8.8 ZN	16	24	24	24	24
12B	0501010953	TRAVA PARAF 1.1/4	16	24	24	24	24
12C	0531010713	ARRUELA LISA 32,50X 65X 8,0 PCC2 ZN	16	24	24	24	24
12D	0501010087	PORCA 1.1/4 UNC SEXT 2 ZN	32	48	48	48	48
13	0502010592	TRAVA EIXO INT 2.1/2 GASP	04	06	06	06	06
14	0541010368	TRAVA PORCA GAP/GAPM/GAPCR ZN	08	12	12	12	12
15	0503010232	PARAF 5/8 UNC X 1.3/4 C S G.5 ZN	16	24	24	24	24
16	0501012140	ARRUELA LISA 16,50 X 40 X 4,00 ZN	16	24	24	24	24
17	0503010027	ARRUELA PRESSAO 5/8 ZN 1K01574	16	24	24	24	24
18	0503010013	PORCA S. 5/8 UNC G.5 ZN	16	24	24	24	24



Item	Código	Descrição	QT
01	0511045349	MANCAL AGR DM 330 X 2.1/2	01
02	0503010834	PARAF 1/2 UNC X 1 C S G.5 ZN	04
03	0503010019	ARRUELA PRESSAO 1/2 ZN 1K01556	04
04	0511017302	ARRUELA LISA 13,50 X 32,50 X 3,0 ZN	04
05	0521067034	CAPA PROTETORA MANCAL COM REFORÇO	01



Item	Código	Descrição	QT
01	0501080911	MANG 1/2 X 1300 TR-TR TERM OFS	06
02	0501080912	MANG 1/2 X 1900 TR-TR TERM OFS	02
03	0501080913	MANG 1/2 X 3600 TR-TR TERM OFS	01
04	0501080914	MANG 1/2 X 4300 TR-TR TERM OFS	01
05	0501080915	MANG 1/2 X 4550 TR-TM TERM OFS	02
06	0501080916	MANG 1/2 X 5130 TR-TR TERM OFS	01
07	0511043139	VALVULA SEGURANCA COMPL	01
07A	0503013319	VALVULA SEGURANCA 07255026	01
07B	0503032098	NIPLE R 3/4 NPT X R13/16UN OFS X 46	04
07C	0503011109	ANEL O RING 2-119 N 3006 9B	04
08	0501080918	MANG 1/2 X 5400 TR-TR TERM OFS	01
09	0503013272	ADAPT MACHO T 1/2 OFS PORCA GIR CEN	02
10	0503013273	ADAPT MACHO T 1/2 OFS GASPCW	01
11	0501055695	VALVULA DIVISORA FLUXO COMPL (OFS)	01
12	0501055696	VALV DESCG COMPL (OFS)	01
12A	0503010919	VALV DESCG HFB060306	01
12B	0503010190	ANEL O RING 2-114 N 3006-9B	04
12C	0503030923	NIPLE 3/4 UNF X 13/16UN OFS X 40	04
13	0511058419	CIL HIDR 50,80 X 101,60 X 514 X 206 GCRO	01
14	0511050114	CILINDRO HIDRÁULICO 63,50X150X965X625	01
15	0511050113	CIL HIDR 53,98 X 127 X 654 X 346	02
16	0501053834	MACHO ENG RAP AGR 1/2 NPT C/TAMPA	04
17	0503013399	CONECTOR CURVO 90G OFS 1/2	02
18	0503032031	NIPLE 3/4UNF X13/16UN OFS X40 C/RED	02
19	0503030923	NIPLE 3/4 UNF X 13/16UN OFS X 40	06



Item	Código	Descrição	QT
01	0501080971	MANG 1/2 X 850 TR-TC TERM OFS	01
02	0501080984	MANG 1/2 X 1000 TR-TC TERM OFS	01
03	0501080985	MANG 1/2 X 1200 TR-TC TERM OFS	01
04	0501080911	MANG 1/2 X 1300 TR-TR TERM OFS	02
05	0501080986	MANG 1/2 X 1400 TR-TC TERM OFS	01
06	0501080987	MANG 1/2 X 1500 TR-TR TERM OFS	01
07	0501080988	MANG 1/2 X 1950 TR-TC TERM OFS	01
08	0501080989	MANG 1/2 X 4000 TR-TR TERM OFS	01
09	0501080990	MANG 1/2 X 4700 TR-TR TERM OFS	01
10	0501080991	MANG 1/2 X 4800 TC-TM TERM OFS	02
11	0501080992	MANG 1/2 X 5000 TR-TC TERM OFS	01
12	0501080993	MANG 1/2 X 5200 TR-TR TERM OFS	01
13	0511043139	VALVULA SEGURANCA COMPL	01
13A	0503013319	VALVULA SEGURANCA 07255026	01
13B	0503032098	NIPLE R 3/4 NPT X R13/16UN OFS X 46	06
14	0503013272	ADAPT MACHO T 1/2 OFS PORCA GIR CEN	02
15	0503013273	ADAPT MACHO T 1/2 OFS GASPCW	01
16	0501055695	VALVULA DIVISORA FLUXO COMPL (OFS)	01
16A	0503012481	VALV DIV FLUXO 50-50 HFB030731	01
16B	0503010190	ANEL O RING 2-114 N 3006-9B	01
16C	0503030923	NIPLE 3/4 UNF X 13/16UN OFS X 40	01
17	0501055696	VALV DESCG COMPL (OFS)	01
17A	0503010919	VALV DESCG HFB060306	01
17B	0503010190	ANEL O RING 2-114 N 3006-9B	04
17C	0503030925	NIPLE 7/8 NF X 13/16 UN X 40 OFS	04
18	0511041598	CIL H 44,45 X 76,2 X 515 X 203GAPCW	01
19	0511041600	CIL H 63,5 X 150 X 965 X 625 GASPCW	01
20	0511041599	CIL H 50,8 X 127 X 654 X 346 GAPCW	02
21	0501053834	MACHO ENG RAP AGR 1/2 NPT C/TAMPA	02
22	0503032031	NIPLE 3/4UNF X13/16UN OFS X40 C/RED	02
23	0503030923	NIPLE 3/4 UNF X 13/16UN OFS X 40	06

ANOTAÇÕES

Lined area for notes with horizontal ruling lines.

PEÇAS ORIGINAIS
TATU



MARCHESAN



MARCHESAN IMPLEMENTOS E MÁQUINAS AGRÍCOLAS TATU S.A.

AV. Marchesan, 1979 - Cx. Postal, 131 - CEP 15994-900 - Matão - SP - Brasil

FONE: (16) 3382-8282

(FAX Vendas): +55 16.3382-8297 - (FAX Exportação) + 55 16.3382.1003

e.mail: tatu@marchesan.com.br Home Page: www.marchesan.com.br

Publicações Técnicas: Elaboração
ALESSANDRA PATRICIA KAWAHARA CARRILI

Contatos Catálogo:
E-mail = jgaspari@marchesan.com.br

**PEÇAS ORIGINAIS
TATU**

