

PARTS CATALOG

OFFSET DISK HARROW

GAPCW-STDRH - AXIS 2.1/2"

Code: 0501091467



Series: S-0304

Rev.: 00

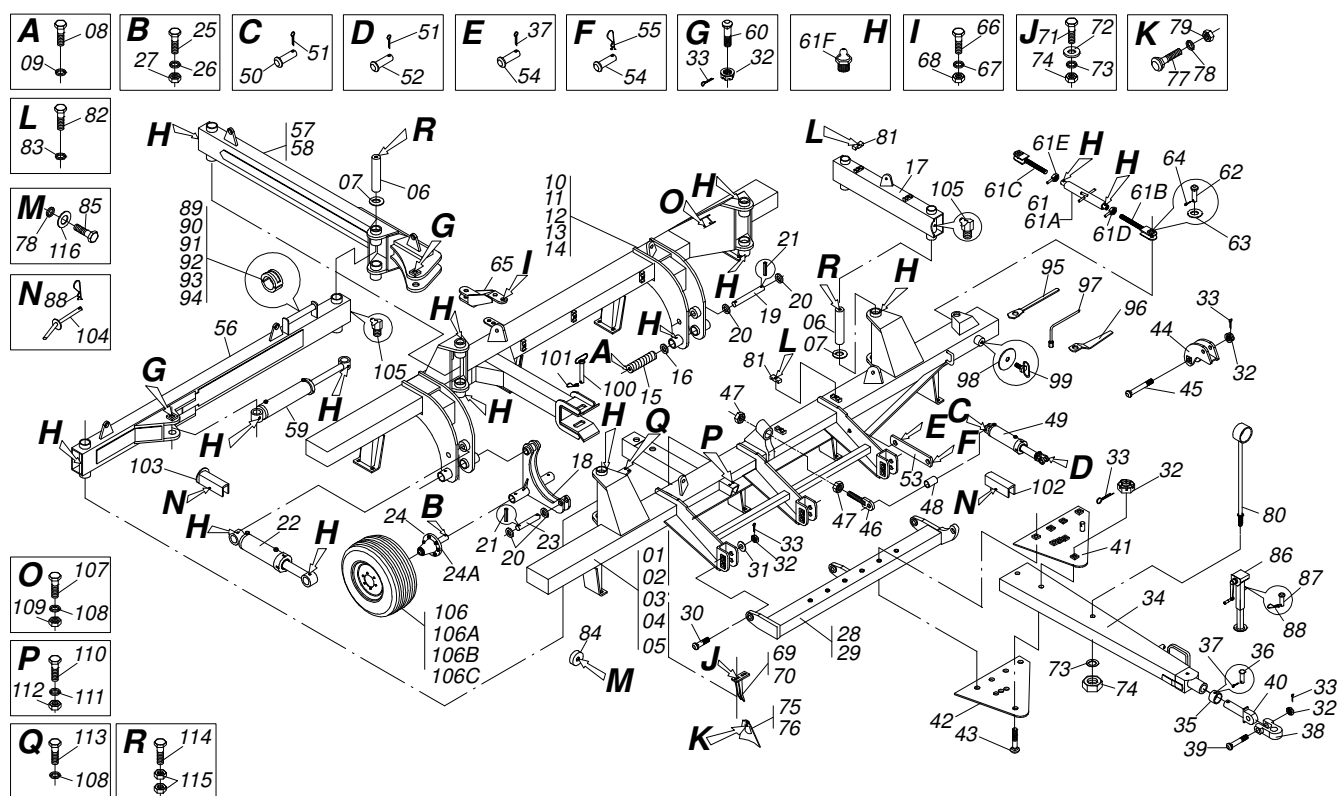
Date Rev.: MARÇO/2014

**ORIGINAL PARTS
TATU**



INDEX

0909091071	HINGE OFFSET DISK HARROWS	1
0511041599	2" X 5" X 25.75" X 13.62" HYDR CYLINDER	2
0511041598	1.75" X 3" X 20" X 8" HYDRAULIC CYLINDER	3
0511041600	2.5" X 5.9" X 38" X 24.6" HYDRAULIC CYLINDER	4
0501055263	CARRYING-WHEELS	5
0909091073	DISC SECTION	6
0511042290	13" X 2-1/2" OIL BATH BEARING	7
0909090457	HYDRAULIC CIRCUIT	8
0909091173	HYDRÁULIC CIRCUIT GASPCW 25	9



Item	Code	Description	31	35	39	41	45
001	0511065631	FRAME FRONT	01				
002	0511065442	FRAME FRONT		01			
003	0511065443	FRAME FRONT			01		
004	0511065748	FRAME FRONT				01	
005	0511065461	FRAME FRONT					01
006	0541011899	2.9" X 20" COUPLING SHAFT	05	05	05	05	05
007	0511013244	FLAT WASHER	10	10	10	10	10
008	0503011250	1" X 2" BOLT	04	04	04	04	04
009	0503010012	1" SPRING WASHER	04	04	04	04	04
010	0511065632	REAR FRAME	01				
011	0511065444	REAR FRAME		01			
012	0511065445	REAR FRAME			01		
013	0511065749	REAR FRAME				01	
014	0511065462	REAR FRAME					01
015	0531018062	COUPLING SHAFT	02	02	02	02	02
016	0521011565	FLAT WASHER	04	04	04	04	04
017	0511065374	JOIN	01	01	01	01	01
018	0511064655	CARRYNG-WHEEL SUPPORT	02	02	02	02	02
019	0531018105	1.2" X 11.8" PIVOT SHAFT	02	02	02	02	02
020	0501017779	FLAT WASHER	08	08	08	08	08
021	0503011877	0.3" X 2.4" SPRING PIN	08	08	08	08	08
022	0511041599	2" X 5" X 25.75" X 13.62" HYDR CYLINDER	02	02	02	02	02
023	0531018101	1.2" X 6.3" PIVOT SHAFT	02	02	02	02	02
024	0501055263	CARRYING-WHEELS	04	04	04	04	04
024A	0501051885	CARRYING-WHEELS	04	04	04	04	04
025	0503010547	1/2" X 4" BOLT	04	04	04	04	04
026	0503010019	1/2" SPRING WASHER	04	04	04	04	04
027	0503010060	1/2" NUT	04	04	04	04	04
028	0511065629	OFFSET BAR	01				
029	0511064166	OFFSET BAR		01	01	01	01
030	0531018099	37,50 X 190 COUPLING SHAFT	02	02	02	02	02
031	0521011721	1.6" X 3.94" X 0.12" WASHER	03	03	03	03	03
032	0501011301	1.1/2 UNC 6FPP 2.5/16 NUT	12	12	12	12	12



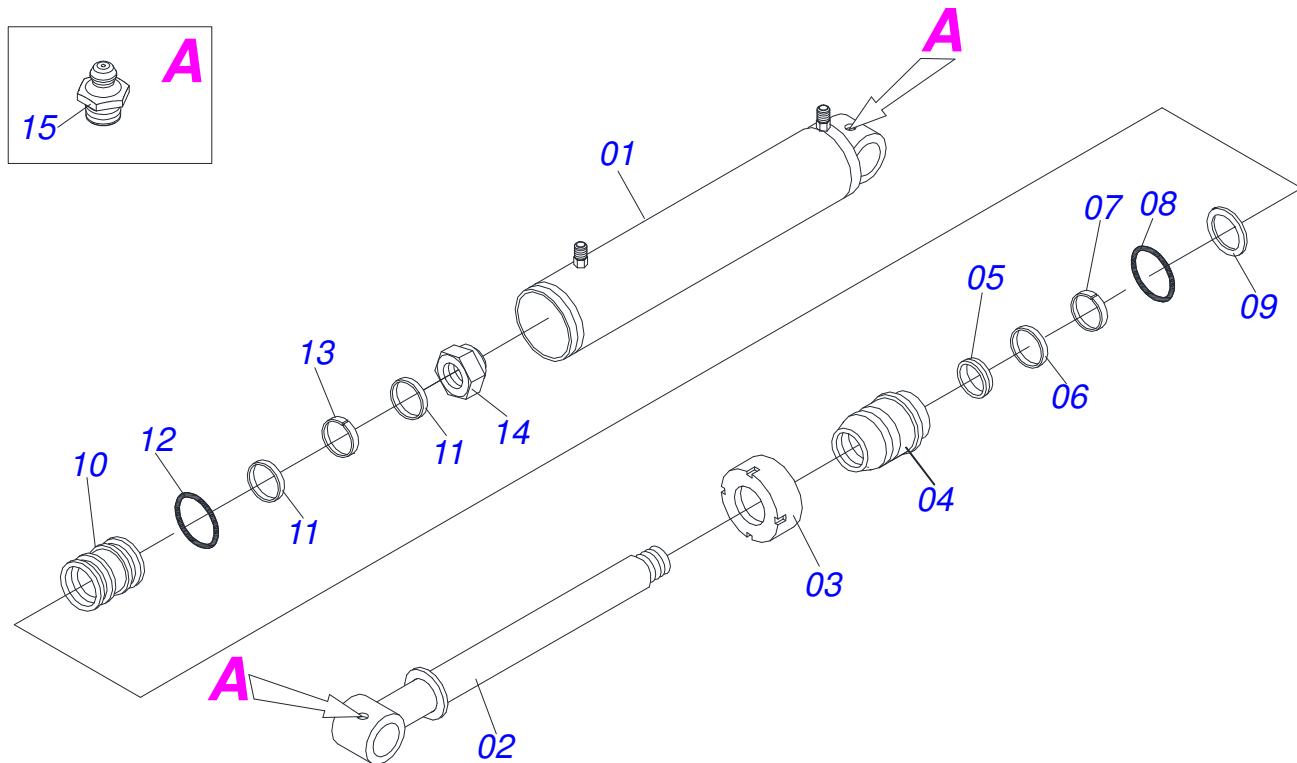
GAPCW-STDRH - AXIS 2.1/2"
HINGE OFFSET DISK HARROWS

Item	Code	Description	31	35	39	41	45
033	0503010010	1/4" X 2.1/2" COTTERPIN	12	12	12	12	12
034	0511064669	DRAWBAR ASSY	01	01	01	01	01
035	0502040327	ANEL TRAVA ENGATE	01	01	01	01	01
036	0501011136	PINO 26 X 100 (1.1/2 X 107) GCRO	01	01	01	01	01
037	0503010571	1/4" X 1.1/2 COTTERPIN	02	02	02	02	02
038	0502040733	CLEVIS	01	01	01	01	01
039	0521012545	COUPLING SHAFT	01	01	01	01	01
040	0502040727	COUPLING SHAFT	01	01	01	01	01
041	0511064659	UPPER PLATE	01	01	01	01	01
042	0511064658	LOWER PLATE	01	01	01	01	01
043	0531019124	1.5" X 9.6" COUPLING SHAFT	06	06	06	06	06
044	0511064656	DRAWBAR PIVOT	01	01	01	01	01
045	0521012053	1.5" X 8.6" AXLE	01	01	01	01	01
046	0511064433	REGULATOR SPINDLE 1-3/4	01	01	01	01	01
047	0501010333	1.3/4" NUT	02	02	02	02	02
048	0511019920	LUVA 32,7 X 38,8 X 25,40	01	01	01	01	01
049	0511041598	1.75" X 3" X 20"X 8" HYDRAULIC CYLINDER	01	01	01	01	01
050	0521012538	1.2" X 3.5" COUPLING SHAFT	01	01	01	01	01
051	0503010523	1/4" X 2" COTTERPIN	02	02	02	02	02
052	0531019171	1.25" X 7" COUPLING SHAFT	01	01	01	01	01
053	0541011205	DRAWBAR LOCK SAFETY	02	02	02	02	02
054	0521010572	0.9" X 2.9" COUPLING SHAFT	02	02	02	02	02
055	0503030012	HAIR PIN	01	01	01	01	01
056	0511065375	FRONT STABILIZER BAR	01	01	01	01	01
057	0511065630	REAR STABILIZER BAR	01				
058	0511065377	REAR STABILIZER BAR		01	01	01	01
059	0511041600	2.5" X 5.9" X 38" X 24.6" HYDRAULIC CYLINDER	01	01	01	01	01
060	0531018100	37,50 X 200 COUPLING SHAFT	02	02	02	02	02
061	0501054606	TURNBUCKLE ASSY	01	01	01	01	01
061A	0511064657	JOIN TURNBUCKLE	01	01	01	01	01
061B	0501069333	JACK CRANK	01	01	01	01	01
061C	0501069334	JACKET	01	01	01	01	01
061D	0501069331	LOCKNUT WITH LEFT HANDLER R 2-1/8	01	01	01	01	01
061E	0501069330	LOCKNUT WITH RIGHT HANDLER R 2-1/8	01	01	01	01	01
061F	0503010002	1800 GREASE FITTING	30	30	30	30	30
062	0521012868	1.4" X 5" PIVOT SHAFT	02	02	02	02	02
063	0501010237	FLAT WASHER	02	02	02	02	02
064	0503010534	3/8 X 2-1/2 COTTERPIN	02	02	02	02	02
065	0511064810	REAR HITCH	01	01	01	01	01
066	0503011346	7/8" X 3-1/2" BOLT	02	02	02	02	02
067	0503010408	7/8" SPRING WASHER	02	02	02	02	02
068	0503010417	7/8" NUT	02	02	02	02	02
069	0511064771	FRONT SCRAPER SUPPORT	15	17	19	20	22
070	0511064772	REAR SCRAPER SUPPORT	16	18	20	21	23
071	0501010500	3/4"X3"BOLT	62	70	78	82	90
072	0541010763	FLAT WASHER	62	72	78	82	90
073	0503010023	SPRING WASHER	64	75	81	85	93
074	0503010014	3/4" NUT	93	73	79	83	91
075	0521013678	FRONT CLEANER	15	17	19	20	22
076	0521013679	REAR CLEANER	16	18	20	21	23
077	0503012195	5/8" NUT	62	70	78	82	90
078	0503010027	SPRING WASHER	62	70	78	82	90
079	0503010013	5/8" NUT	62	70	78	82	90
080	0511064470	HOSE HOLDER ASSY	01	01	01	01	01
081	0502010477	UPPER CLIP	07	07	07	07	07
082	0503011135	7/16" X 1-1/2" BOLT	07	07	07	07	07
083	0503010180	7/16" SPRING WASHER	07	07	07	07	07
084	0521011481	BEATER FRAME	01	01	01	01	01
085	0501010108	5/8" X 1" BOLT	01	01	01	01	01
086	0511041259	DRAWBAR JACK ASSY	01	01	01	01	01
087	0521010549	COUPLING SHAFT	01	01	01	01	01
088	0503030168	HAIR PIN	04	04	04	04	04

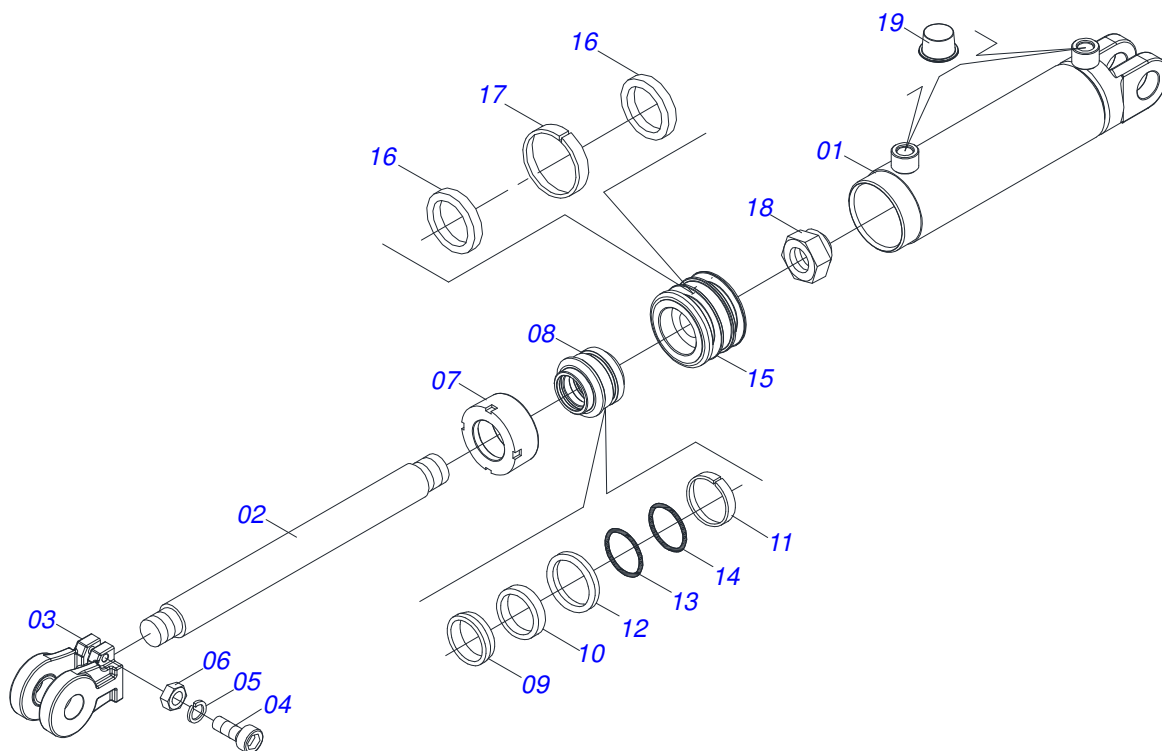


GAPCW-STDRH - AXIS 2.1/2"
HINGE OFFSET DISK HARROWS

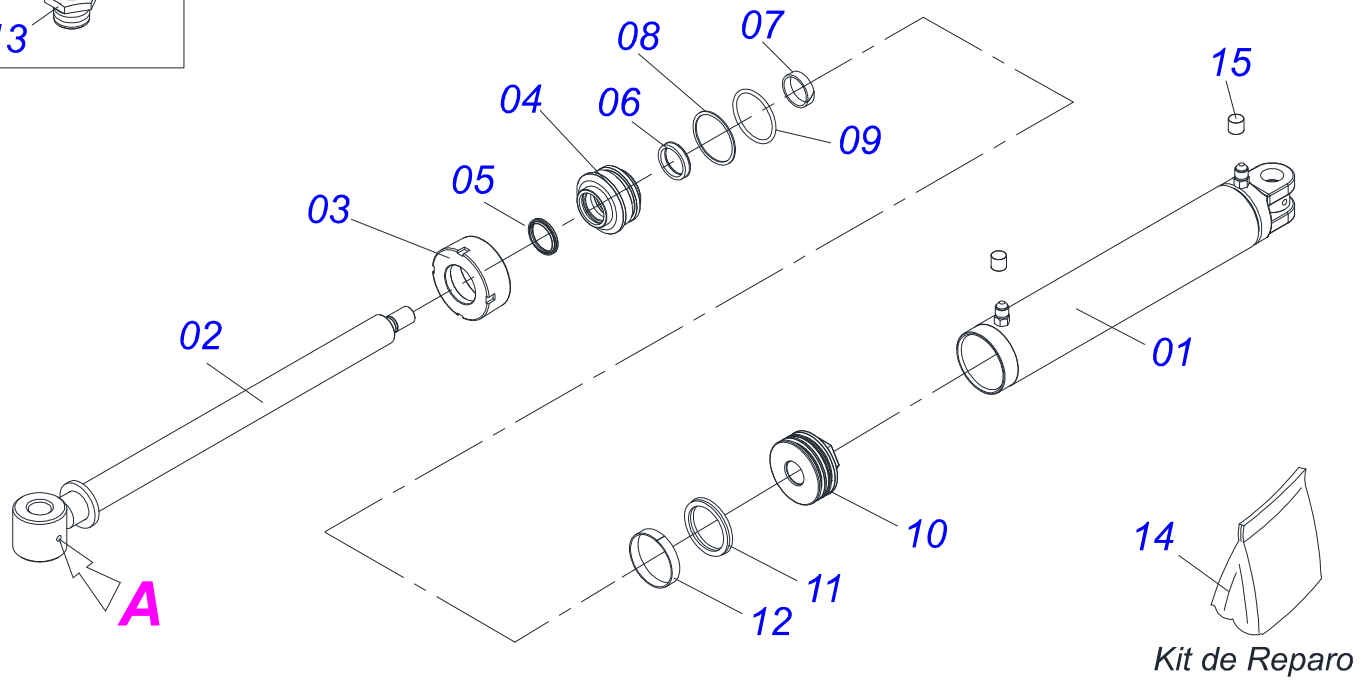
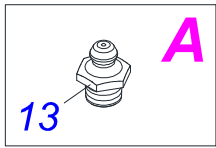
Item	Code	Description	31	35	39	41	45
089	0511042161	2.1/2" ROD STOP ASSY	01	01	01	01	01
090	0511042162	2.1/2" ROD STOP ASSY	01	01	01	01	01
091	0511042163	2.1/2" ROD STOP ASSY	01	01	01	01	01
092	0511042164	2.1/2" ROD STOP ASSY	01	01	01	01	01
093	0511042165	2.1/2" ROD STOP ASSY	01	01	01	01	01
094	0511042166	2.1/2" ROD STOP ASSY	01	01	01	01	01
095	0501011432	1-1/2" AND 1-5/8 GANG BOLT WRENCH	01	01	01	01	01
096	0501061044	2-1/8" AND 2-1/2" CABLE FLAT WRENCH	02	02	02	02	02
097	0501061045	1" WRENCH CYLINDRICAL	01	01	01	01	01
098	0521011722	FLAT WASHER	01	01	01	01	01
099	0501069343	WRENCH FIXER	01	01	01	01	01
100	0501069350	230 PIVOT SHAFT WITH PULL	01	01	01	01	01
101	0503031035	HAIR PIN	01	01	01	01	01
102	0511010932	TRANSPORT LOCK	01	01	01	01	01
103	0511064985	TRANSPORT LOCK	02	02	02	02	02
104	0501068994	0.3" X 3.1" LOCK PIN	03	03	03	03	03
105	0503010003	1845 GREASE FITTING	03	03	03	03	03
106	0503060414	WHEEL AND TIRE	04	04	04	04	04
106A	0503012108	RODA 10 LB X 15 X 8F X 203 GCRO	04	04	04	04	04
106B	0503010860	CAMARA AR 11L 15	04	04	04	04	04
106C	0503011469	RIB TIRE 12L	04	04	04	04	04
107	0503010373	1/4" X 2" BOLT	02	02	02	02	02
108	0503010143	SPRING WASHER	02	02	02	02	02
109	0503010144	1/4" NUT	02	02	02	02	02
110	0503010765	3/8" X 3" BOLT	02	02	02	02	02
111	0503010025	3/8 SPRING WASHER	04	04	04	04	04
112	0503010026	3/8" NUT	02	02	02	02	02
113	0503010237	3/8" X 1" BOLT	02	02	02	02	02
114	0503012660	1" X 4" BOLT	10	10	10	10	10
115	0503013635	1" NUT	20	20	20	20	20
116	0501012140	FLAT WASHER	01	01	01	01	01



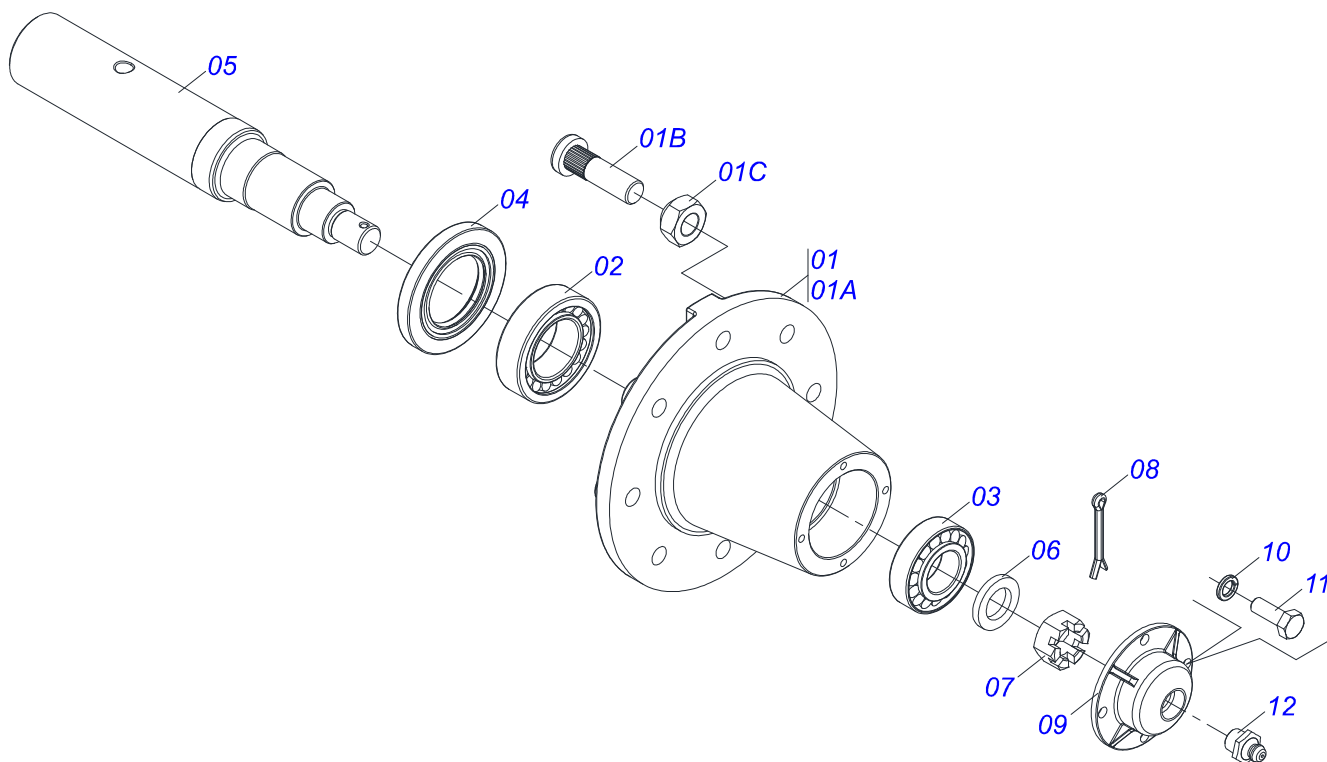
Item	Code	Description	QT
00	0511041599	2" X 5" X 25.75" X 13.62" HYDR CYLINDER	01
01	0511064729	5" X 22" CYLINDER CASE	01
02	0511064728	2" X 23" TURNBUCLE	01
03	0502010382	5" HEAD	01
04	0502011000	2" X 5" RING SUPPORT	01
05	0503010039	D-2000 SCRAPER RING	01
06	0503010991	PACKING 1870-2000-375-B	01
07	0503010952	W2-2250-500 PK RING G.E	01
08	0503010351	2-425 N 3006-9B O'RING	01
09	0503011062	8-425 BACK-UP RING	01
10	0502010963	2.0" X 5.0" PISTON	01
11	0503010552	PACKING 3750-4250-625-B	02
12	0503010345	2-218 N 3006-9B O'RING	01
13	0503010974	W2-5000-500 PK RING G.E	01
14	0503010817	1-1/4" SELF-ADJUSTING NUT	01
15	0503010002	1800 GREASE FITTING	02
16	0501031961	HYDRAULIC CYLINDER REPAIR KIT	01



Item	Code	Description	QT
01	0511064734	3" X 15" CYLINDER CASE	01
02	0531019381	1.7" X 16" TURNBUCLE	01
03	0502040747	FORK	01
04	0503011094	3/8" X 2" BOLT C C S I 12.9	01
05	0503010025	3/8 SPRING WASHER	01
06	0503010026	3/8" NUT	01
07	0502011899	MOBILE COVER	01
08	0502011897	RING SUPPORT	01
09	0503010761	D-1750 SCRAPER RING	01
10	0503010990	GASKET	01
11	0503010949	W2-2000-500 PK RING G.E	01
12	0503011059	8-334 BACK-UP RING	01
13	0503010343	2-334 N 3006-9B O'RING	01
14	0503010345	2-218 N 3006-9B O'RING	01
15	0502011898	1.8" X 3.0" PISTON	01
16	0503012768	3750-2250 GASKET	02
17	0503010992	W2-3000-500 PK RING G.E	01
18	0503010063	1" SELF-ALIGNING NUT	01
19	0503030384	CON N-001 PLUG	02
20	0501033655	HYDRAULIC CYLINDER REPAIR KIT	01

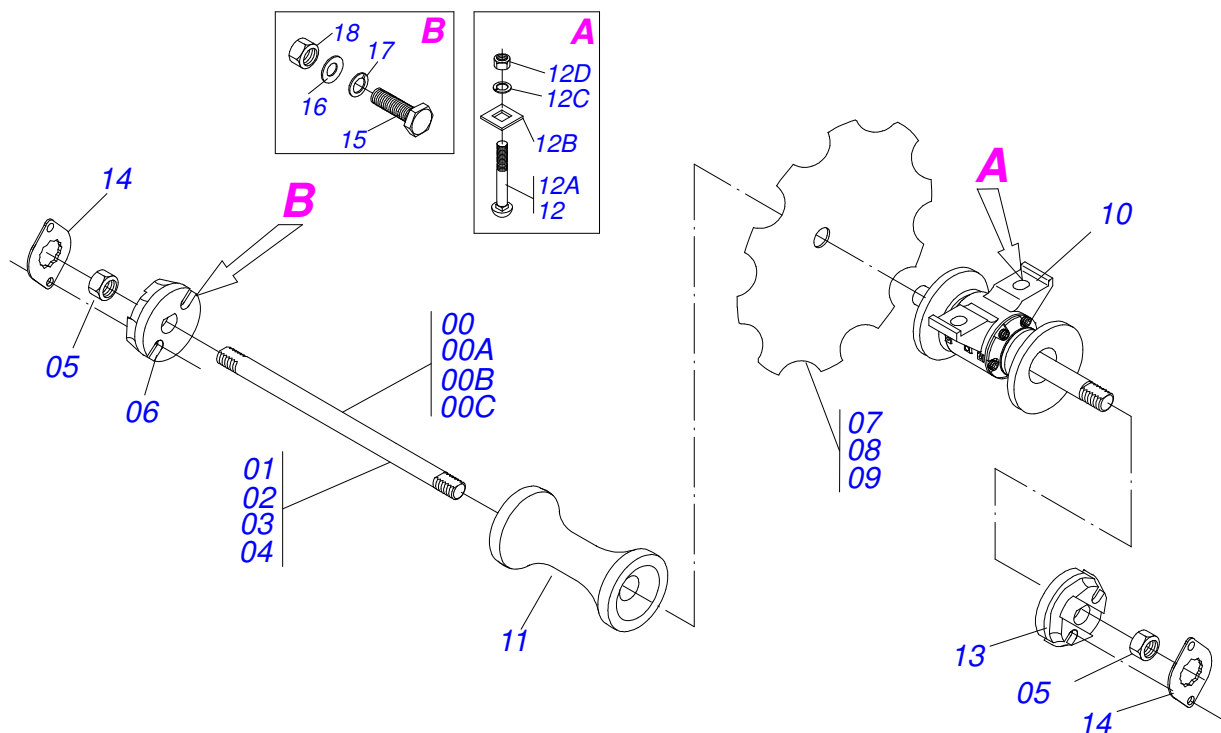


Item	Code	Description	QT
00	0511041600	2.5" X 5.9" X 38" X 24.6" HYDRAULIC CYLINDER	01
01	0511065049	6" X 31" CYLINDER CASE	01
02	0511065050	2.5" X 34" TURNBUCLE	01
03	0541010615	6" HEAD	01
04	0502012375	TURNBUCLE GUIDE	01
05	0503010287	D-2500 SCRAPER RING	01
06	0503014960	GASKET	01
07	0503012497	RING (TEFLON)	01
08	0503010704	2-357 N 3006-9B O'RING	01
09	0503010971	W2-2750-500 PK RING G.I	01
10	0502012319	150 PISTON	01
11	0503013441	OE PACKING 150	02
12	0503012825	RING (TEFLON) CH 61100	01
13	0503010002	1800 GREASE FITTING	02
14	0501034665	HYDRAULIC CYLINDER REPAIR KIT	01
15	0503030384	CON N-001 PLUG	02

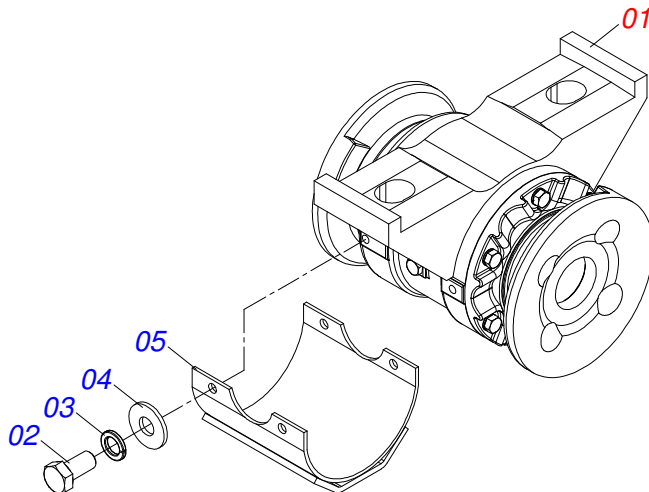


Item	Code	Description	QT
01	0501110738	CARRYING WHEEL HUB	01
01A	0502012260	CAIXA RODADO TRANSPORTE GCRO 2240	01
01B	0501010186	PARAFUSO ROD 5/8UNF X 2.1/8CR	08
01C	0503010064	5/8 UNF CONIC NUT	08
02	0503010008	ROLAMENTO 3780/37203	01
03	0503014821	ROLLER BEARING	01
04	0503013314	RETENTOR 5166-GB 63,5 X 110 X 13 ARCA	01
05	0511012494	SPINDLE	01
06	0511012492	ARRUELA LISA 28 X 46 X 6,30	01
07	0503030009	1" CASTLE NUT	01
08	0503010018	5/32 X 1-1/2 COTTERPIN	01
09	0502020591	PROTECCION COVER	01
10	0503011444	SPRING WASHER	04
11	0503010358	5/16" X 5/8" BOLT	04
12	0503010002	1800 GREASE FITTING	01

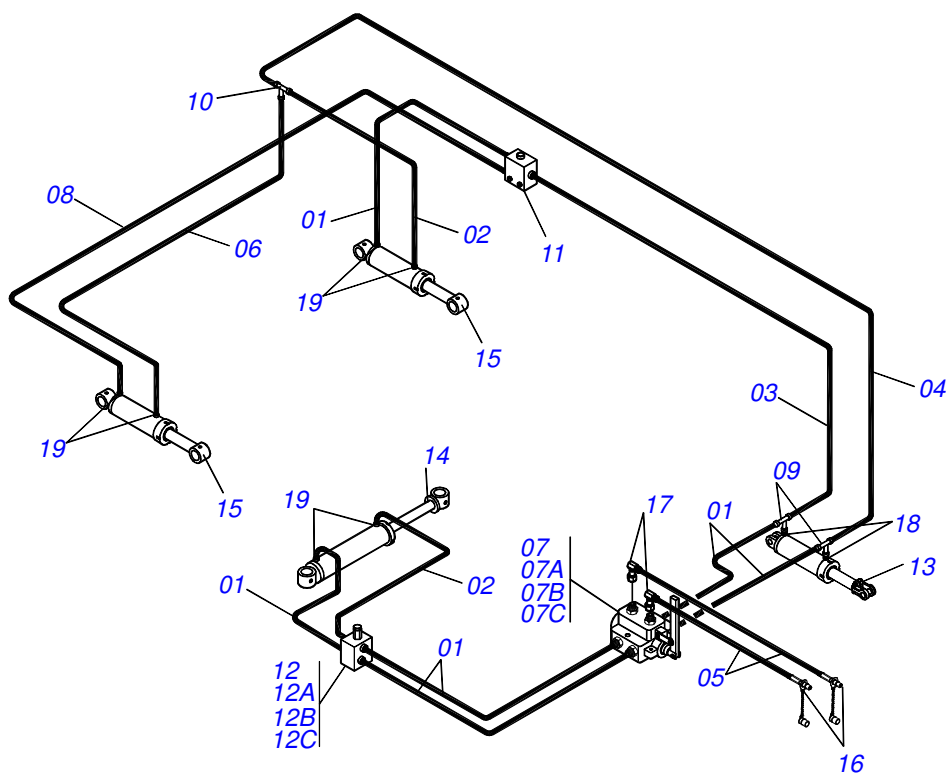
DISC SECTION



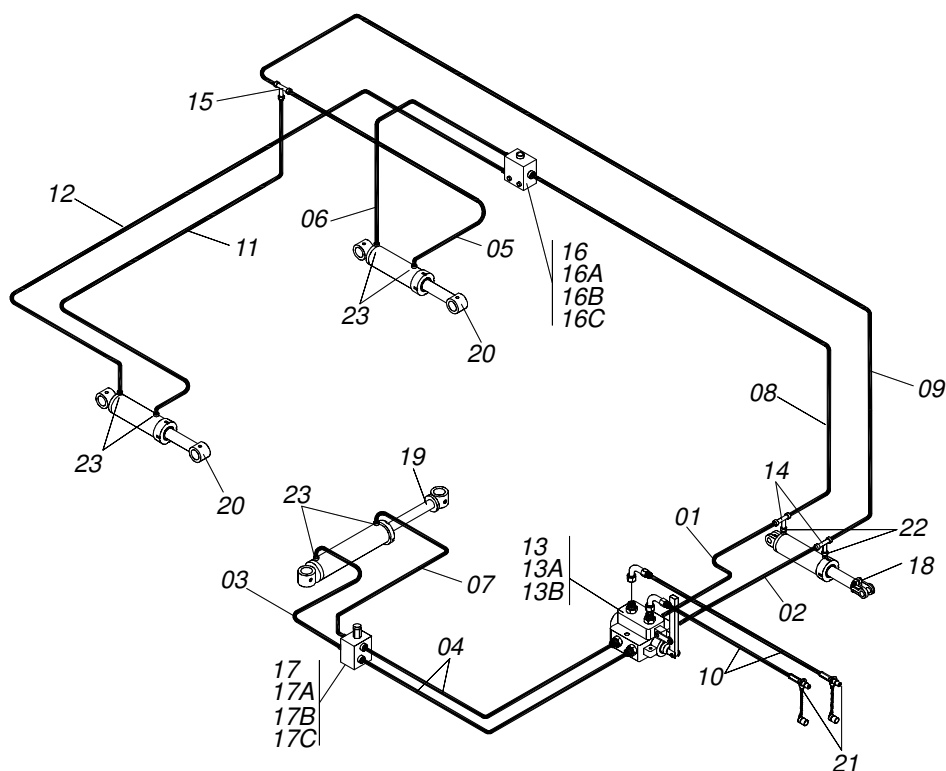
Item	Code	Description	31	35	39	41	45
00	0511042421	2-1/2" X 91.7" AXLE WITH NUTS	01	00	03	03	03
00A	0511042422	2-1/2" X 105" AXLE WITH NUTS	03	00	00	01	03
00B	0511042483	2-1/2" X 65" AXLE WITH NUTS	00	01	00	00	00
00C	0511042484	2-1/2" X 78" AXLE WITH NUTS	00	05	03	02	00
01	0541011893	2-1/2" X 91.7" AXLE	01	00	03	03	03
02	0541011894	2-1/2" X 105" AXLE	03	00	00	01	03
03	0541012128	2-1/2" X 65" AXLE WITH NUTS	00	01	00	00	00
04	0541012129	2-1/2" X 78" AXLE	00	05	03	02	00
05	0502040064	2.1/2"SNC X 70 99 NUT	08	12	12	12	12
06	0502010593	2-1/2" EXTERNAL AXLE WASHER	04	06	06	06	06
07	0602044002	32" X 0.3" NOTCHED DISC BLADE	31	35	39	41	00
08	0602046001	34" X 0.3" NOTCHED DISC BLADE	00	35	39	41	45
09	0602048001	36" X 0.3" 9 NOTCHED DISC BLADE	00	35	39	00	45
10	0511042290	13" X 2-1/2" OIL BATH BEARING	08	12	12	12	12
11	0502011425	13" X 2-1/2" SPACER	19	17	21	23	27
12	0501041301	1-1/4" X 5-3/4" ASSY BOLT	16	24	24	24	24
12A	0501010954	1-1/4" X 5-3/4" BOLT	16	24	24	24	24
12B	0501010953	1-1/4" SQUARE WASHER	16	24	24	24	24
12C	0531010713	FLAT WASHER	16	24	24	24	24
12D	0501010087	1.1/4" NUT	32	48	48	48	48
13	0502010592	2-1/2" INNER AXLE WASHER	04	06	06	06	06
14	0541010368	NUT LOCK	08	12	12	12	12
15	0503010232	5/8" X 1.3/4" BOLT	16	24	24	24	24
16	0501012140	FLAT WASHER	16	24	24	24	24
17	0503010027	SPRING WASHER	16	24	24	24	24
18	0503010013	5/8" NUT	16	24	24	24	24



Item	Code	Description	QT
01	0511045349	AGRICULTURAL BEARING	01
02	0503010834	1/2 X 1 BOLT	04
03	0503010019	1/2" SPRING WASHER	04
04	0511017302	FLAT WASHER	04
05	0521067034	BEARING PROTECTIVE COVER WITH	01



Item	Code	Description	QT
01	0501080911	MANGUEIRA OFS 1/2 X 1300 TR-TR	06
02	0501080912	1/2" X 74.78" TR-TR HOSE ASSY	02
03	0501080913	MANGUERA 1/2 X 3600 TR-TR	01
04	0501080914	1/2" X 170" TR-TR HOSE ASSY	01
05	0501080915	1/2" X 180" TR-TM HOSE ASSY	02
06	0501080916	1/2" X 201.97" TR-TR HOSE ASSY	01
07	0511043139	VALVE ASSY	01
07A	0503013319	VALVE ASSY	01
07B	0503032098	13/16" NIPPLE	04
07C	0503011109	2-119 N 3006-9B O'RING	04
08	0501080918	1/2" X 212" TR-TR HOSE ASSY	01
09	0503013272	T 1/2" MALE ADAPTER ASSY	02
10	0503013273	T 1/2" MALE ADAPTER	01
11	0501055695	FLOW DIVIDING VALVE ASSY	01
12	0501055696	DISCHARGE VALVE OFS ASSY	01
12A	0503010919	DISCHARGE VALVE	01
12B	0503010190	2-114 N 3006-9B O'RING	04
12C	0503030923	3/4" UNF X 13/16UN OFS X 40 NIPPLE	04
13	0511058419	HYDRAULIC CYLINDER	01
14	0511050114	63,50X150X965X625 HYDRAULIC CYLINDER	01
15	0511050113	HYDRAULIC CYLINDER	02
16	0501053834	MALE QUICK COUPLING AGRICULTURAL WITH	04
17	0503013399	CONECTOR CURVED	02
18	0503032031	3/4" UNF REDUCTION NIPPLE	02
19	0503030923	3/4" UNF X 13/16UN OFS X 40 NIPPLE	06



Item	Code	Description	QT
01	0501080971	1/2" X 33.46" TR-TC HOSE ASSY	01
02	0501080984	1/2" X 39.37" TR-TC HOSE ASSY	01
03	0501080985	1/2" X 47.24" TR-TC HOSE ASSY	01
04	0501080911	MANGUEIRA OFS 1/2 X 1300 TR-TR	02
05	0501080986	1/2" X 55.12" TR-TC HOSE ASSY	01
06	0501080987	1/2 X 59.06" TR-TR HOSE ASSY	01
07	0501080988	1/2 X 77" TR-TC HOSE ASSY	01
08	0501080989	1/2 X 15.4" TR-TR HOSE ASSY	01
09	0501080990	1/2 X 185" TR-TR HOSE ASSY	01
10	0501080991	1/2 X 189" TC-TM HOSE ASSY	02
11	0501080992	1/2 X 200" TR-TC HOSE ASSY	01
12	0501080993	1/2 X 205" TR-TR HOSE ASSY	01
13	0511043139	VALVE ASSY	01
13A	0503013319	VALVE ASSY	01
13B	0503032098	13/16" NIPPLE	06
14	0503013272	T 1/2" MALE ADAPTER ASSY	02
15	0503013273	T 1/2" MALE ADAPTER	01
16	0501055695	FLOW DIVIDING VALVE ASSY	01
16A	0503012481	FLOW DIVIDING VALVE	01
16B	0503010190	2-114 N 3006-9B O'RING	01
16C	0503030923	3/4" UNF X 13/16UN OFS X 40 NIPPLE	01
17	0501055696	DISCHARGE VALVE OFS ASSY	01
17A	0503010919	DISCHARGE VALVE	01
17B	0503010190	2-114 N 3006-9B O'RING	04
17C	0503030925	13/16" NIPPLE	04
18	0511041598	1.75" X 3" X 20" X 8" HYDRAULIC CYLINDER	01
19	0511041600	2.5" X 5.9" X 38" X 24.6" HYDRAULIC CYLINDER	01
20	0511041599	2" X 5" X 25.75" X 13.62" HYDR CYLINDER	02
21	0501053834	MALE QUICK COUPLING AGRICULTURAL WITH	02
22	0503032031	3/4" UNF REDUCTION NIPPLE	02
23	0503030923	3/4" UNF X 13/16UN OFS X 40 NIPPLE	06



MARCHESAN IMPLEMENTOS E MÁQUINAS AGRÍCOLAS TATU S.A.

AV. Marchesan, 1979 - Post office box, 131 - CEP 15994-900 - Matão - SP - Brazil

Phone +55 16.3382-8282

(FAX Parts) + 55 16.3382. 8297 - (Export) + 55 16.3382.1003

e.mail: tatu@marchesan.com.br www.marchesan.com.br

Technical Publications: Elaboration

ALESSANDRA PATRICIA KAWAHARA CARRILI

Contact Catálogo:

E-mail = jgaspari@marchesan.com.br

**ORIGINAL PARTS
TATU**

