

OFFSET DISK HARROW

GAPCW 8013 - AXIS 2.1/2"

Code: 0501091466
Series: S-0304
Revision: 00
Date Revision: JULHO/2021

PARTS CATALOGUE



MARCHESAN



PRODUCTS

Code	Description
0102050159	GAPCW 8013 31X 36X 9 DM DR S-0304
0102050121	GAPCW 8013 31X32X9 DM DR HDRH S/PN
0102050116	GAPCW 8013 31X32X9 DM DR S/PN S0304
0102050111	GAPCW 8013 35X32X9 DM DR S0304
0102050085	GAPCW 8013 35X32X9 DM DR HDRH S/PN
0102050082	GAPCW 8013 35X32X9 DM DR S/PN S0304
0102050112	GAPCW 8013 35X34X9 DM DR S0304
0102050086	GAPCW 8013 35X34X9 DM DR HDRH S/PN
0102050083	GAPCW 8013 35X34X9 DM DR S/PN S0304
0102050113	GAPCW 8013 35X36X9 DM DR S0304
0102050087	GAPCW 8013 35X36X9 DM DR HDRH S/PN
0102050084	GAPCW 8013 35X36X9 DM DR S/PN S0304
0102050105	GAPCW 8013 39X 32X 9 DM DR SC S/PN
0102050091	GAPCW 8013 39X32X9 DM DR HDRH S/PN
0102050088	GAPCW 8013 39X32X9 DM DR S/PN S0304
0102050104	GAPCW 8013 39X32X9DM DR HDRHSC S/PN
0102050114	GAPCW 8013 39X34X9 DM DR HDRH S/PN
0102050089	GAPCW 8013 39X34X9 DM DR S/PN S0304
0102050124	GAPCW 8013 39X36X9 DM DR S0304
0102050093	GAPCW 8013 39X36X9 DM DR HDRH S/PN
0102050090	GAPCW 8013 39X36X9 DM DR S/PN S0304
0102050127	GAPCW 8013 39X36X9 DMDR HDRH S-0304
0102050167	GAPCW 8013 41X 34X 9 DM DR S-0304
0102050120	GAPCW 8013 41X32X9 DM DR S0304
0102050125	GAPCW 8013 41X32X9DM DR HDRH S-0304
0102050123	GAPCW 8013 41X34X9 DM DR HDRH S/PN
0102050122	GAPCW 8013 41X34X9DMDR USA S/PNS0304
0102050150	GAPCW 8013 45X 34X 9 DM DR S-0304
0102050097	GAPCW 8013 45X32X9 DM DR HDRH S/PN
0102050094	GAPCW 8013 45X32X9 DM DR S/PN S0304

ATTENTION: IMPORTANT

Marchesan S.A. reserves the right to improve and / or modify the technical features of its products, without obligation to do the same with those products already sold and without prior knowledge of the dealer or the consumer.



PRODUCTS

0102050115	GAPCW 8013 45X34X9 DM DR HDRH S/PN
0102050095	GAPCW 8013 45X34X9 DM DR S/PN S0304
0102050146	GAPCW 8013 45X36X9 DM DR S0304
0102050110	GAPCW 8013 45X36X9 DM DR HDRH S/PN
0102050096	GAPCW 8013 45X36X9 DM DR S/PN S0304
0102050171	GAPCW8013 39X36X12 DM DR HDRH S/PN

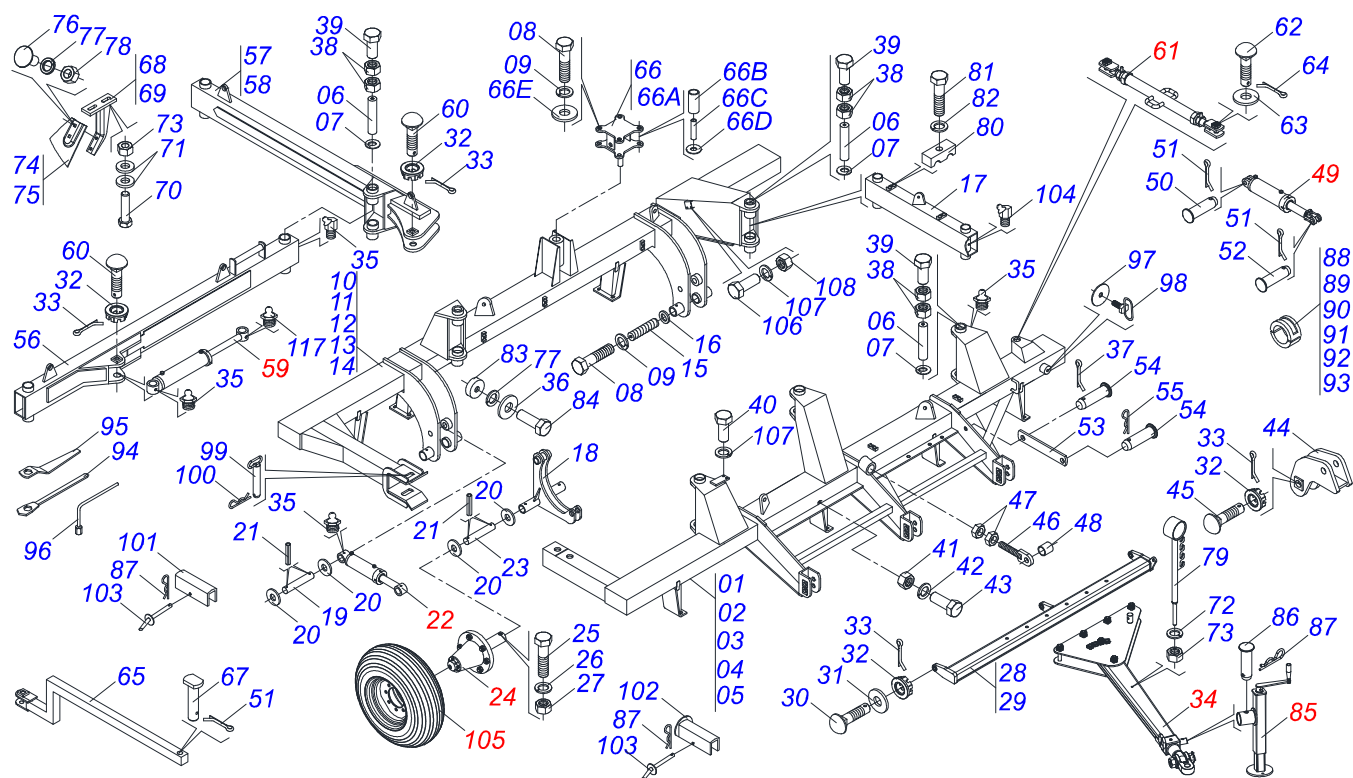
ATTENTION: IMPORTANT

Marchesan S.A. reserves the right to improve and / or modify the technical features of its products, without obligation to do the same with those products already sold and without prior knowledge of the dealer or the consumer.



INDEX

0909091072	FRAME ASSY	1
0511050113	HYDRAULIC CYLINDER	2
0501055263	CARRYING-WHEELS	3
0521041823	ASSY TRACTION BAR (PIN 3")	4
0511058419	HYDRAULIC CYLINDER 50,80 X 101,60 X 514 X 206	5
0501054606	TURNBUCKLE ASSY	6
0511041259	DRAWBAR JACK ASSY	7
0503060414	WHEEL AND TIRE	8
0909090457	HYDRAULIC CIRCUIT	9
0501055695	FLOW DIVIDING VALVE ASSY	10
0501055696	DISCHARGE VALVE OFS ASSY	11
0511050114	63,50X150X965X625 HYDRAULIC CYLINDER	12
0909091073	DISC SECTION	13
0511042290	13" X 2-1/2" OIL BATH BEARING	14
0511045349	AGRICULTURAL BEARING	15



Item	Code	Description	See page	31	35	39	41	45
001	0511065829	FRAME FRONT - 31D		01	00	00	00	00
002	0511065463	FRAME FRONT - 35D		00	01	00	00	00
003	0511065465	FRAME FRONT - 39D		00	00	01	00	00
004	0511065827	FRAME FRONT - 41D		00	00	00	01	00
005	0511065386	FRAME FRONT - 45D		00	00	00	00	01
006	0541011899	2.9" X 20" COUPLING SHAFT		05	05	05	05	05
007	0511013244	FLAT WASHER		10	10	10	10	10
008	0503011250	1" X 2" BOLT		05	05	05	05	05
009	0503010012	1" SPRING WASHER		05	05	05	05	05
010	0511065830	REAR FRAME - 31D		01	00	00	00	00
011	0511065464	REAR FRAME - 35D		00	01	00	00	00
012	0511065466	REAR FRAME - 39D		00	00	01	00	00
013	0511065828	REAR FRAME - 41D		00	00	00	01	00
014	0511065387	REAR FRAME - 45D		00	00	00	00	01
015	0531018062	COUPLING SHAFT		02	02	02	02	02
016	0521011565	FLAT WASHER		04	04	04	04	04
017	0511065374	JOIN		01	01	01	01	01
018	0511064655	CARRYNG-WHEEL SUPPORT		02	02	02	02	02
019	0531018105	1.2" X 11.8" PIVOT SHAFT		02	02	02	02	02
020	0501017779	32 X 60 X 4.75 FLAT WASHER		08	08	08	08	08
021	0503011877	0.3" X 2.4" SPRING PIN		08	08	08	08	08
022	0511050113	HYDRAULIC CYLINDER	2	02	02	02	02	02
023	0531018101	1.2" X 6.3" PIVOT SHAFT		02	02	02	02	02
024	0501055263	CARRYING-WHEELS	3	04	04	04	04	04
025	0503010547	1/2" X 4" BOLT		04	04	04	04	04
026	0503010019	1/2" SPRING WASHER		04	04	04	04	04
027	0503010060	1/2" NUT		04	04	04	04	04
028	0511065629	OFFSET BAR		01	00	00	00	00
029	0511064166	OFFSET BAR		01	01	01	01	01
030	0531018099	37,50 X 190 COUPLING SHAFT		02	02	02	02	02
031	0521011721	1.6" X 3.94" X 0.12" WASHER		03	03	03	03	03



FRAME ASSY

0909091072

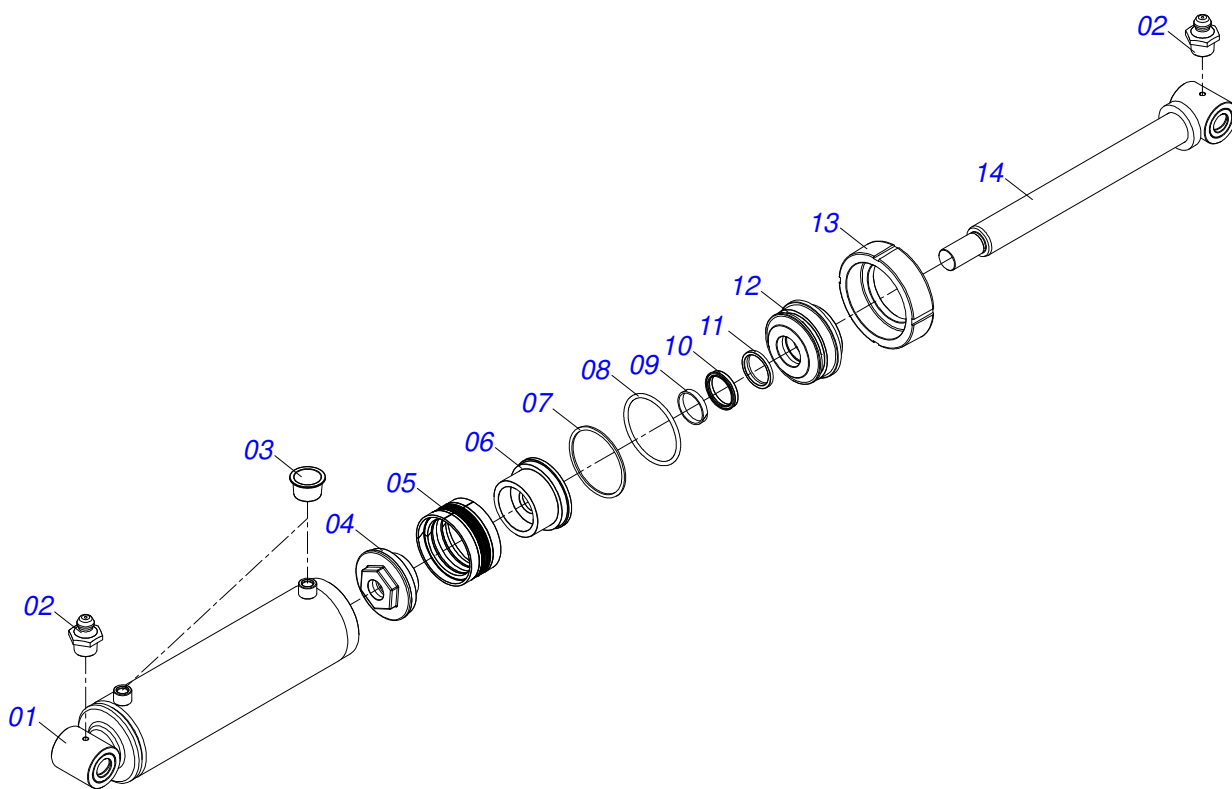
Item	Code	Description	See page	31	35	39	41	45
032	0501011301	1.1/2 UNC 6FPP 2.5/16 NUT		12	12	12	12	12
033	0503010010	1/4" X 2.1/2" COTTERPIN		12	12	12	12	12
034	0521041823	ASSY TRACTION BAR (PIN 3")	4	01	01	01	01	01
035	0503010002	1800 GREASE FITTING		35	35	35	35	35
036	0501012140	FLAT WASHER		01	01	01	01	01
037	0503010571	1/4" X 1.1/2 COTTERPIN		02	02	02	02	02
038	0503013635	1" NUT		20	20	20	20	20
039	0503012660	1" X 4" BOLT		10	10	10	10	10
040	0503010237	3/8" X 1" BOLT		02	02	02	02	02
041	0503010026	3/8" NUT		02	02	02	02	02
042	0503010025	3/8" SPRING WASHER		04	04	04	04	04
043	0503010765	3/8" X 3" BOLT		02	02	02	02	02
044	0511064656	DRAWBAR PIVOT		01	01	01	01	01
045	0521012053	1.5" X 8.6" AXLE		01	01	01	01	01
046	0511064433	REGULATOR SPINDLE 1-3/4		01	01	01	01	01
047	0501010333	1.3/4" NUT		02	02	02	02	02
048	0511019920	LUVA 32,7 X 38,8 X 25,40		01	01	01	01	01
049	0511058419	HYDRAULIC CYLINDER 50,80 X 101,60 X 514 X 206	5	01	01	01	01	01
050	0521012538	1.2" X 3.5" COUPLING SHAFT		01	01	01	01	01
051	0503010523	1/4" X 2" COTTERPIN		02	02	02	02	02
052	0531019171	1.25" X 7" COUPLING SHAFT		01	01	01	01	01
053	0541011205	DRAWBAR LOCK SAFETY		02	02	02	02	02
054	0521010572	0.9" X 2.9" COUPLING SHAFT		02	02	02	02	02
055	0503030012	HAIR PIN		01	01	01	01	01
056	0511065375	FRONT STABILIZER BAR		01	01	01	01	01
057	0511065630	REAR STABILIZER BAR		01	00	00	00	00
058	0511065377	REAR STABILIZER BAR		01	01	01	01	01
059	0511050114	63,50X150X965X625 HYDRAULIC CYLINDER	12	01	01	01	01	01
060	0531018100	37,50 X 200 COUPLING SHAFT		02	02	02	02	02
061	0501054606	TURNBUCKLE ASSY	6	01	01	01	01	01
062	0521012868	1.4" X 5" PIVOT SHAFT		02	02	02	02	02
063	0501010237	FLAT WASHER		02	02	02	02	02
064	0503010534	3/8 X 2-1/2 COTTERPIN		05	05	05	05	05
065	0511064651	REAR HITCH		01	01	01	01	01
066	0501054607	REAR SUPPORT HITCH ASSY		01	01	01	01	01
066A	0511064666	REAR SUPPORT HITCH		01	01	01	01	01
066B	0531019038	2" X 2.7" X 7.7"SLEEVE		05	05	05	05	05
066C	0531019120	50,8 X 235 GASPCW AXLE		05	05	05	05	05
066D	0541010393	FLAT WASHER		04	04	04	04	04
066E	0521011565	FLAT WASHER		11	11	11	11	11
067	0531019547	1.5" X 7.1" COUPLING SHAFT		01	01	01	01	01
068	0511064771	FRONT SCRAPER SUPPORT		15	17	19	20	22
069	0511064772	REAR SCRAPER SUPPORT		16	18	20	21	23
070	0501010500	3/4"X3"BOLT		62	70	78	82	90
071	0541010763	FLAT WASHER		62	70	78	82	90
072	0503010023	3/4" SPRING WASHER		63	71	79	83	91
073	0503010014	3/4" NUT		63	71	79	83	91
074	0521013678	FRONT CLEANER		15	17	19	20	22
075	0521013679	REAR CLEANER		16	18	20	21	23
076	0503012195	5/8" NUT		62	70	78	82	90
077	0503010027	5/8" SPRING WASHER		62	70	78	82	90
078	0503010013	5/8" NUT		63	71	79	83	91
079	0511064470	HOSE HOLDER ASSY		01	01	01	01	01
080	0502010477	HOSE CLAMP		07	07	07	07	07
081	0503011135	BOLT		07	07	07	07	07
082	0503010180	7/16" SPRING WASHER		07	07	07	07	07
083	0521011481	FRAME BATTERY		01	01	01	01	01
084	0501010108	5/8" X 1" BOLT		01	01	01	01	01
085	0511041259	DRAWBAR JACK ASSY	7	01	01	01	01	01



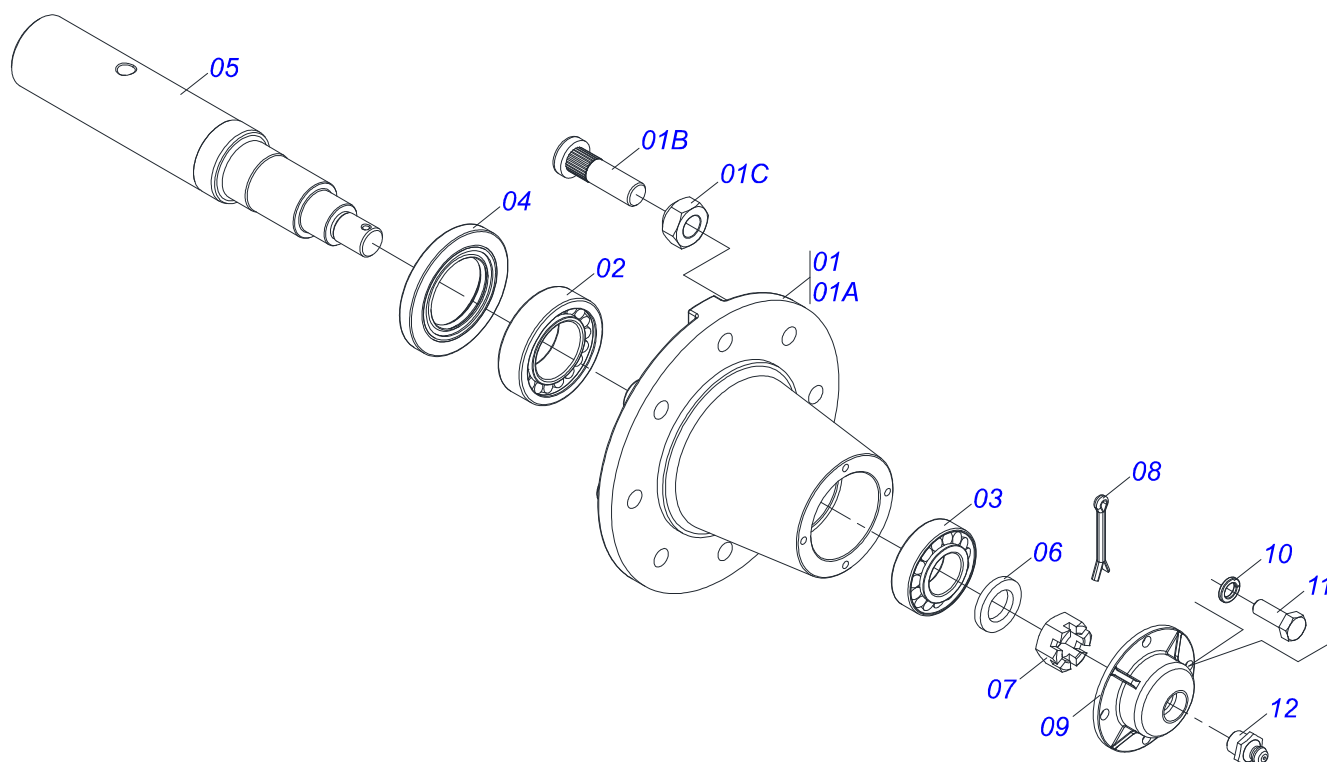
FRAME ASSY

0909091072

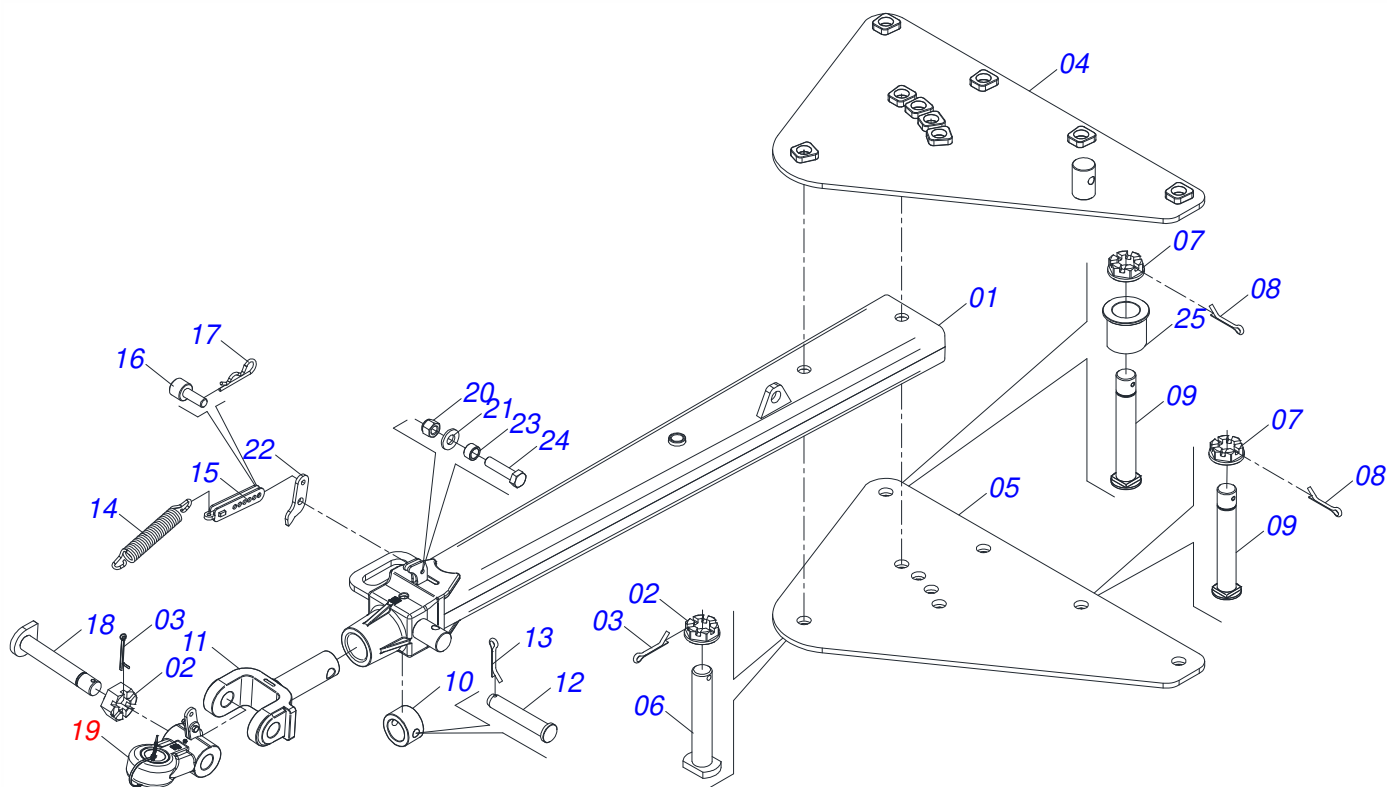
Item	Code	Description	See page	31	35	39	41	45
086	0521010549	COUPLING SHAFT		01	01	01	01	01
087	0503030168	HAIR PIN		04	04	04	04	04
088	0511042161	2.1/2" ROD STOP ASSY		01	01	01	01	01
089	0511042162	2.1/2" ROD STOP ASSY		01	01	01	01	01
090	0511042163	2.1/2" ROD STOP ASSY		01	01	01	01	01
091	0511042164	2.1/2" ROD STOP ASSY		01	01	01	01	01
092	0511042165	2.1/2" ROD STOP ASSY		01	01	01	01	01
093	0511042166	2.1/2" ROD STOP ASSY		01	01	01	01	01
094	0501011432	1-1/2" AND 1-5/8 GANG BOLT WRENCH		01	01	01	01	01
095	0501061044	2-1/8" AND 2-1/2" CABLE FLAT WRENCH		02	02	02	02	02
096	0501062300	1-1/4" WRENCH CABLE CYLINDRICAL		01	01	01	01	01
097	0521011722	FLAT WASHER		01	01	01	01	01
098	0501069343	WRENCH FIXER		01	01	01	01	01
099	0501069350	230 PIVOT SHAFT WITH PULL		01	01	01	01	01
100	0503031035	HAIR PIN		01	01	01	01	01
101	0511010932	TRANSPORT LOCK		01	01	01	01	01
102	0511064985	TRANSPORT LOCK		02	02	02	02	02
103	0501068994	0.3" X 3.1" LOCK PIN		03	03	03	03	03
104	0503010003	1845 GREASE FITTING		03	03	03	03	03
105	0503060414	WHEEL AND TIRE	8	04	04	04	04	04
106	0503010373	SCREW 1/4 UNC X 2 CS G.2 ZN		02	02	02	02	02
107	0503010143	1/4" SPRING WASHER		02	02	02	02	02
108	0503010144	1/4" NUT		02	02	02	02	02



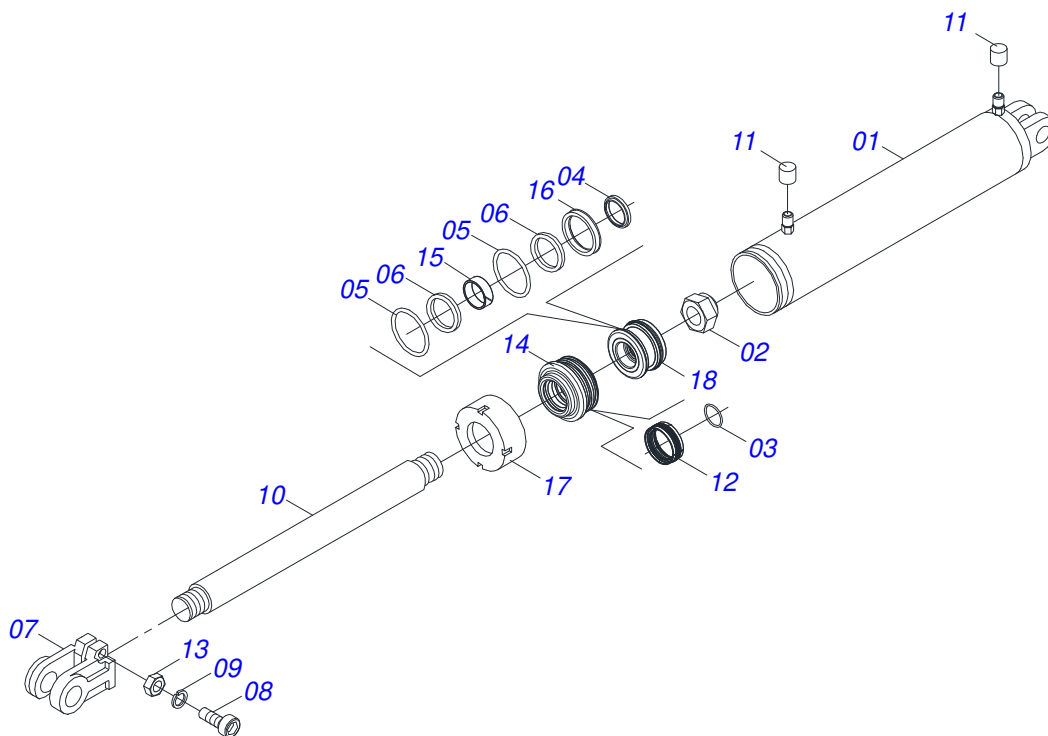
Item	Code	Description	See page	QT
01	0521061746	CYLINDER CASE		01
02	0503010002	1800 GREASE FITTING		02
03	0503030384	CON PLUG N-001		02
04	0502012645	PISTON BODY		01
05	0503015643	SEAL		01
06	0561016583	PISTON BODY		01
07	0503011062	8-425 BACK-UP RING		01
08	0503010351	2-425 N 3006-9B O'RING		01
09	0503015641	WEAR RING		00
10	0503015642	U-CUP SEALING		01
11	0503015715	SCRAPER SEALING		01
12	0502012646	RING SUPPORT		01
13	0502010382	5" END CAP		01
14	0521061684	56,98 X 590,50 TURNBUCKLE		01



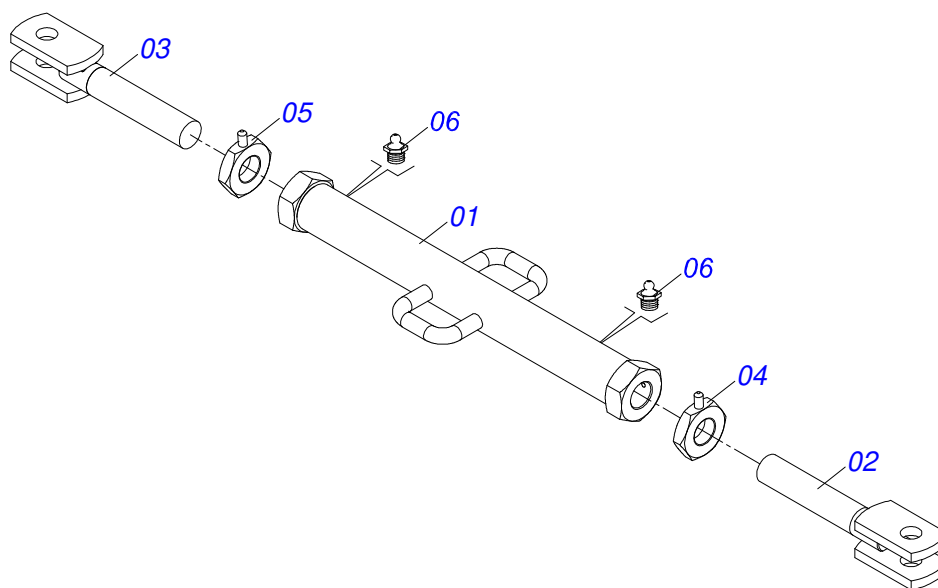
Item	Code	Description	See page	QT
01	0501110738	CARRYING WHEEL HUB	01	01
01A	0502012260	CAIXA RODADO TRANSPORTE	01	01
01B	0501010186	WHEEL SCREW 5/8UNF X 2.1/8CR	08	08
01C	0503010064	5/8 UNF CONIC NUT	08	08
02	0503010008	ROLAMENTO 3780/37203	01	01
03	0503014821	ROLLER BEARING	01	01
04	0503013314	RETENTOR 5166-GB 63,5 X 110 X 13 ARCA	01	01
05	0511012494	SPINDLE	01	01
06	0511012492	ARRUELA LISA 28 X 46 X 6,30	01	01
07	0503030009	1" CASTLE NUT	01	01
08	0503010018	5/32 X 1-1/2 COTTERPIN	01	01
09	0502020591	PROTECCION COVER	01	01
10	0503011444	SPRING WASHER	04	04
11	0503010358	5/16" X 5/8" BOLT	04	04
12	0503010002	1800 GREASE FITTING	01	01



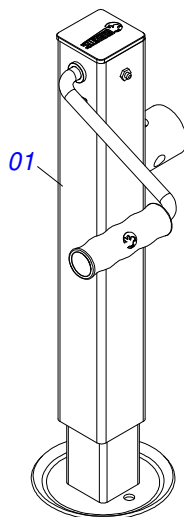
Item	Code	Description	See page	QT
01	0521068249	BAR TRACTION (AXLE 2)		01
02	0502040558	2" CASTLE NUT		02
03	0503010074	3/8 X 0,15" COTTERPIN		02
04	0521068246	UPPER PLATE (AXLE 2)		01
05	0521068247	LOWER PLATE (AXLE 2)		01
06	0521068248	SHAFT JUNCTION WITH LOCK (50,80 X 273)		01
07	0501811301	CASTLE NUT		05
08	0503010010	1/4" X 2.1/2" COTTERPIN		05
09	0521811880	37,50 X 230 X PQ R.1./2 JUNCTION AXLE		05
10	0502040263	ANEL TRAVA ENGATE		01
11	1902040897	TRACTOR HITCH		01
12	0561017306	COUPLING SHAFT		01
13	0503010523	1/4" X 2" COTTERPIN		01
14	0503031741	1.8" X 11.4" 0.3" TRACTION SPRING		01
15	0531061607	SPRING REGULATOR		01
16	0591014558	SPRING REGULATOR FIXER AXLE		01
17	0503030285	HAIR PIN		01
18	0531061122	AXIS ARTICULATOR		01
19	0531040171	ASSY HITCH		01
20	0503010589	1/2" UNC SELF ADJUSTING NUT		01
21	0501010937	13.5 X 28 X 3 FLAT WASHER		01
22	0591014554	REAR EAR FIXING SPRING		01
23	0591014552	SLEEVE		01
24	0503010740	BOLT 1/2 UNC X 2 CS G.5 ZN		01
25	0591013086	SLEEVE		01



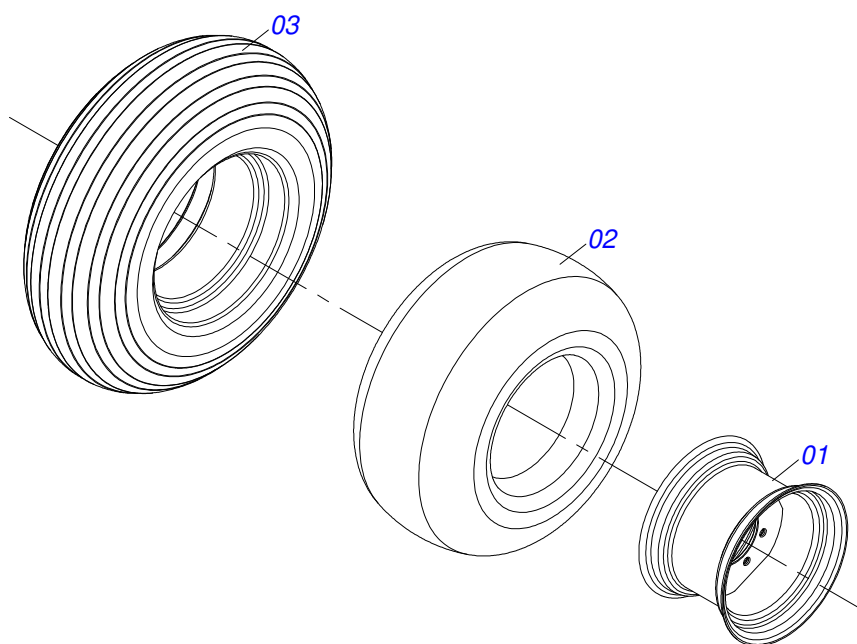
Item	Code	Description	See page	QT
01	0511061336	101,6 X 398 CYLINDER CASE		01
02	0503010817	1.1/4" SELF LOCKING NUT		01
03	0503010345	2-218 N 3006-9B O'RING		01
04	0503015636	SCRAPER SEAL		01
05	0503010338	2-342 N 3006-9B O'RING		02
06	0503011061	8-342 BACK-UP RING		02
07	0502040747	32.54 CLEVIS CLAMP		01
08	0503011094	3/8" X 2" BOLT		01
09	0503011443	3/8" SPRING WASHER		01
10	0521010422	HYDRAULIC CYLINDER TURNBUCKLE		01
11	0503030384	CON PLUG N-001		02
12	0503015633	SELEMASTER SEALING		01
13	0503010026	3/8" NUT		01
14	0581010678	50,80 X 101 RING SUPPORT		01
15	0503018025	RING GUIDE		01
16	0503018026	1870-2000-375 B GASKET		01
17	0502012822	101.60 END CAP		01
18	0502012842	50,80 X 101,60 PISTON		01
19	0511032511R	HYDRAULIC CYLINDER REPAIR KIT		01



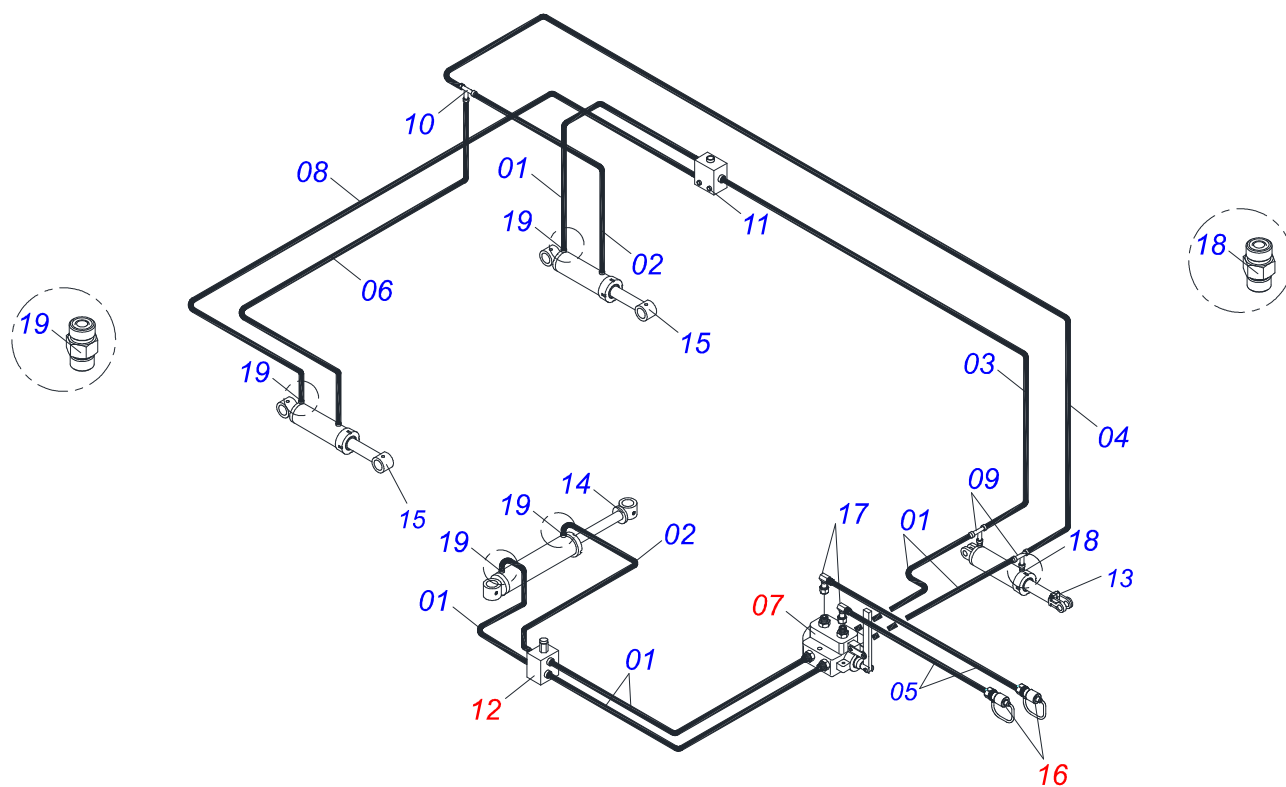
Item	Code	Description	See page	QT
01	0511064657	JOIN TURNBUCKLE		01
02	0501069333	JACK CRANK		01
03	0501069334	JACKET		01
04	0501069331	LOCKNUT WITH LEFT HANDLER R 2-1/8		01
05	0501069330	LOCKNUT WITH RIGHT HANDLER R 2-1/8		01
06	0503010002	1800 GREASE FITTING		02



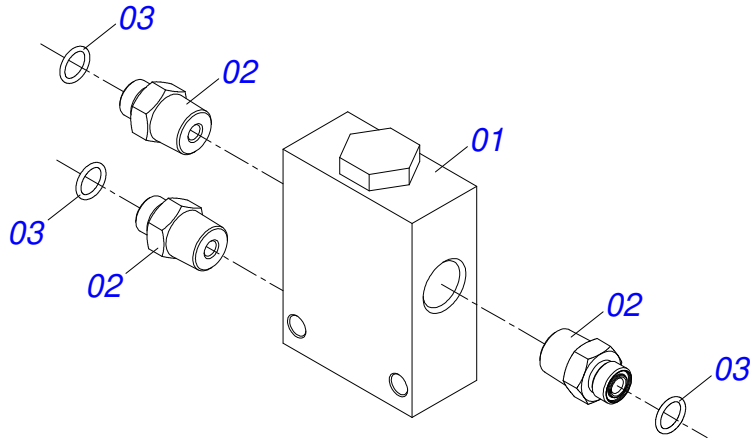
Item	Code	Description	See page	QT
01	0503062157	HEADER JACK		01



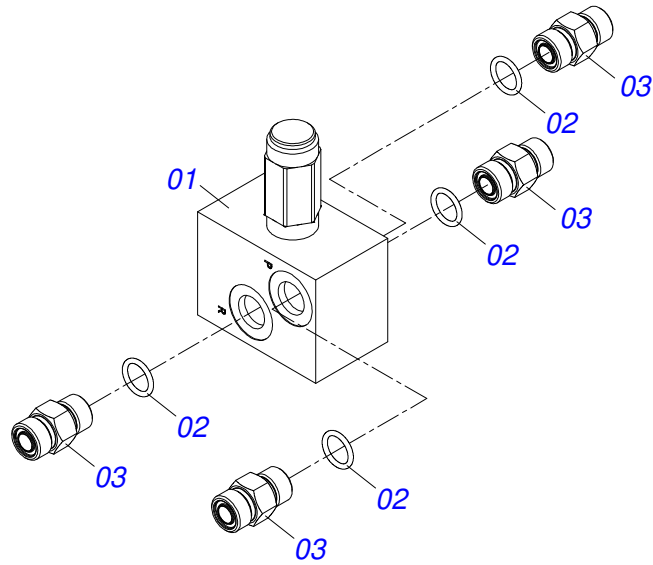
Item	Code	Description	See page	QT
01	0503012108	RODA 10 LB X 15 X 8F X 203 GCRO		01
02	0503010860	CAMARA AR 11L 15		01
03	0503011469	RIB TIRE 12L		01



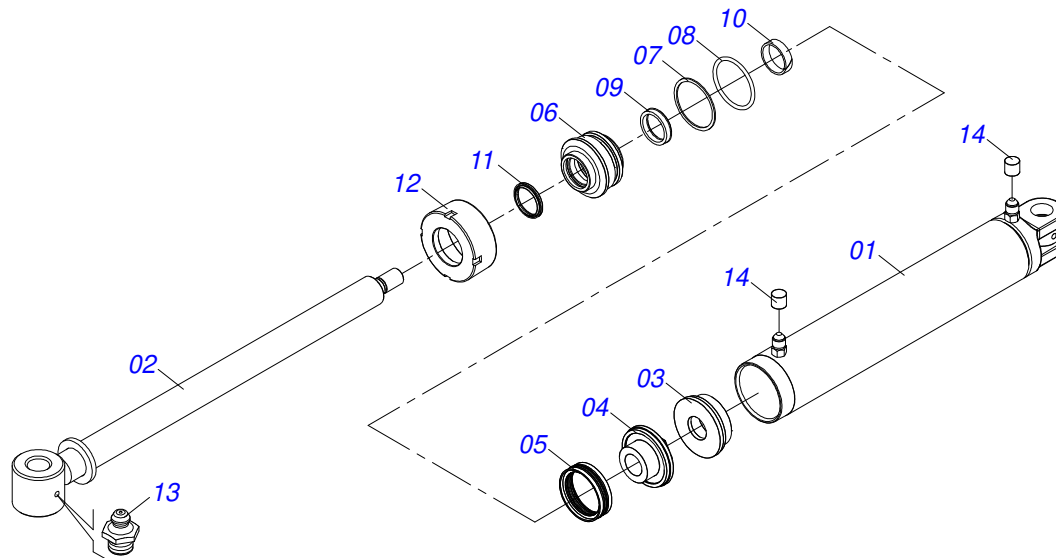
Item	Code	Description	See page	QT
01	0501080911	MANGUEIRA OFS 1/2 X 1300 TR-TR		06
02	0501080912	1/2" X 74.78" TR-TR HOSE ASSY		02
03	0501080913	MANGUERA 1/2 X 3600 TR-TR		01
04	0501080914	1/2" X 170" TR-TR HOSE ASSY		01
05	0501080915	1/2" X 180" TR-TM HOSE ASSY		02
06	0501080916	1/2" X 201.97" TR-TR HOSE ASSY		01
07	0511043139	VALVE ASSY		01
08	0501080918	1/2" X 212" TR-TR HOSE ASSY		01
09	0503013272	T 1/2" MALE ADAPTER ASSY		02
10	0503013273	T 1/2" MALE ADAPTER		01
11	0501055695	FLOW DIVIDING VALVE ASSY	10	01
12	0501055696	DISCHARGE VALVE OFS ASSY	11	01
13	0511058419	HYDRAULIC CYLINDER 50,80 X 101,60 X 514 X 206	5	01
14	0511050114	63,50X150X965X625 HYDRAULIC CYLINDER	12	01
15	0511050113	HYDRAULIC CYLINDER	2	02
16	0501053834	MALE QUICK COUPLER WITH CAP - 1/2 NPT		04
17	0503013399	CONECTOR CURVED		02
18	0503032031	3/4" UNF REDUCTION NIPPLE		02
19	0503030923	3/4" UNF X 13/16UN OFS X 40 NIPPLE		06



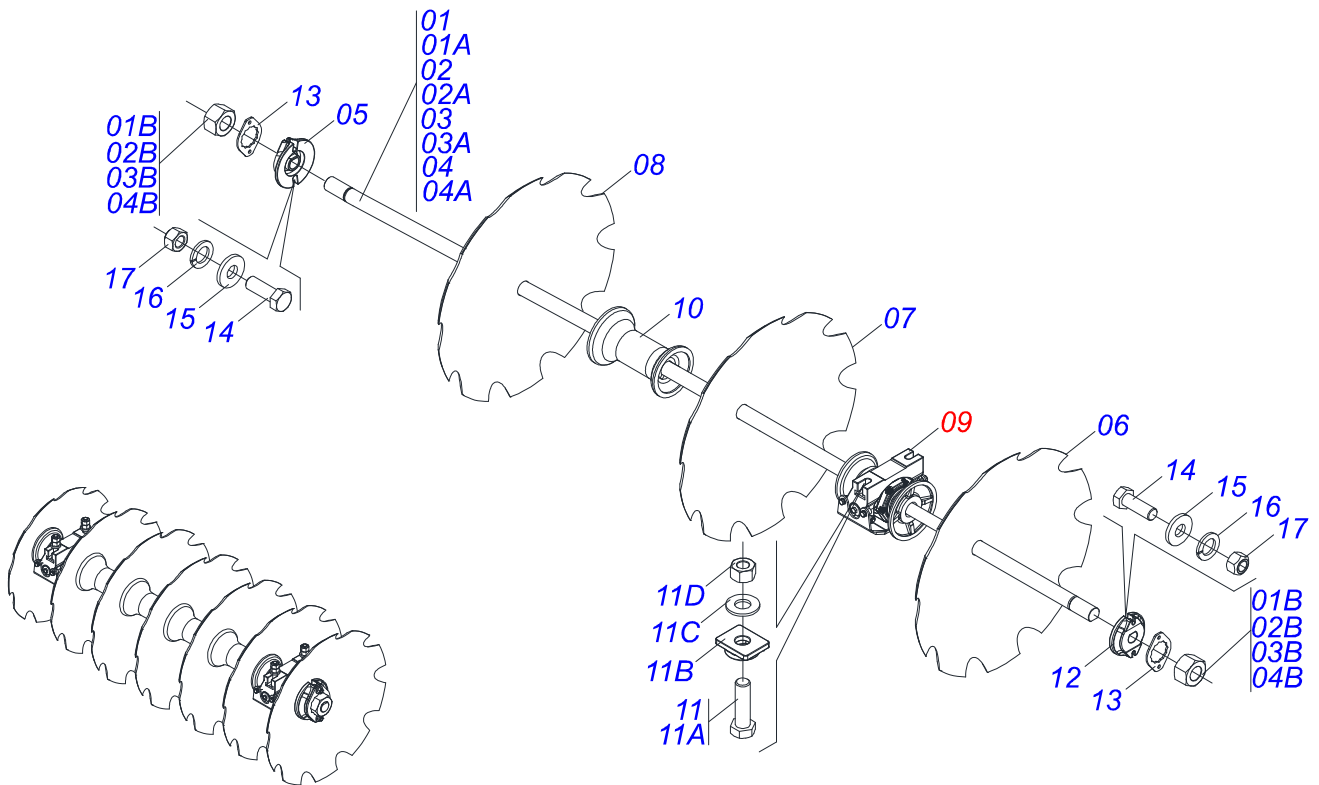
Item	Code	Description	See page	QT
01	0503012481	FLOW DIVIDING VALVE		01
02	0503030923	3/4" UNF X 13/16UN OFS X 40 NIPPLE		03
03	0503010190	2-114 N 3006-9B O'RING		03



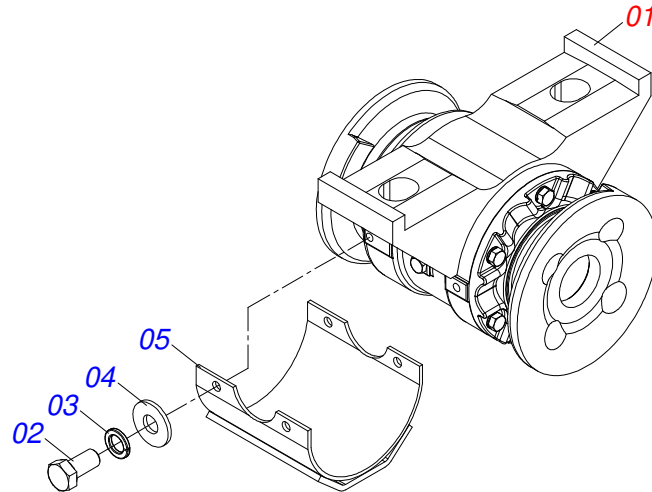
Item	Code	Description	See page	QT
01	0503010919	DISCHARGE VALVE		01
02	0503010190	2-114 N 3006-9B O'RING		04
03	0503030923	3/4" UNF X 13/16UN OFS X 40 NIPPLE		04



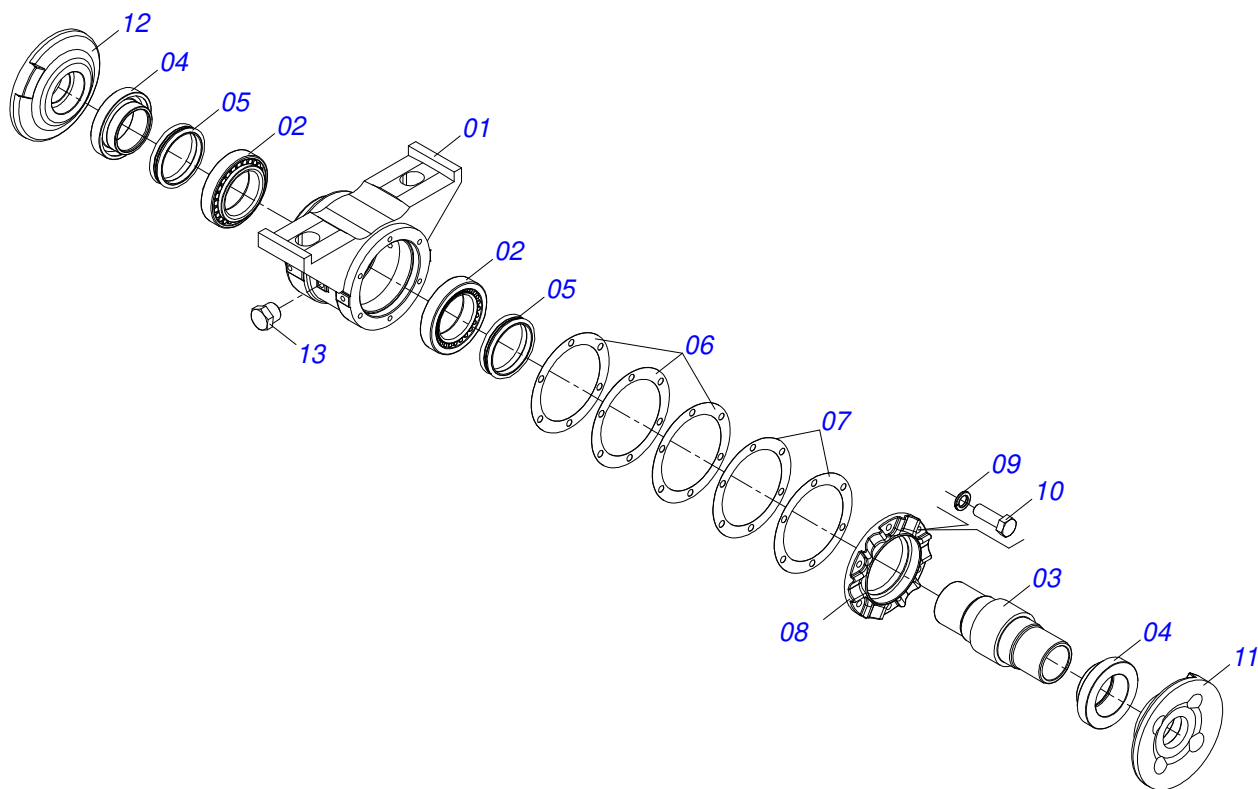
Item	Code	Description	See page	QT
01	0511065049	6" X 31" CYLINDER CASE		01
02	0511065050	2.5" X 34" TURNBUCLE		01
03	0561016818	PISTON BODY		01
04	0502012658	PISTON BODY		01
05	0503015912	SELEMASTER SEALING		01
06	0502012375	TURNBUCLE GUIDE		01
07	0503010704	2-357 N 3006-9B O'RING		01
08	0503010971	W2-2750-500 PK RING G.I		01
09	0503014960	GASKET		01
10	0503012497	RING (TEFLON)		01
11	0503010287	D-2500 SCRAPER RING		01
12	0541010615	6" END CAP		01
13	0503010002	1800 GREASE FITTING		02
14	0503030384	CON PLUG N-001		02



Item	Code	Description	See page	31	35	39	41	45
01	0511042421	2-1/2" X 91.7" AXLE WITH NUTS		01	00	03	03	03
01A	0541011893	2-1/2" X 91.7" AXLE		01	00	01	01	01
01B	0502040064	2.1/2"SNC X 70 99 NUT		02	00	02	02	02
02	0511042422	2-1/2" X 105" AXLE WITH NUTS		03	00	00	01	03
02A	0541011894	2-1/2" X 105" AXLE		01	00	00	01	01
02B	0502040064	2.1/2"SNC X 70 99 NUT		02	00	00	02	02
03	0511042483	2-1/2" X 65" AXLE WITH NUTS		00	01	00	00	00
03A	0541012128	2-1/2" X 65" AXLE WITH NUTS		00	01	00	00	00
03B	0502040064	2.1/2"SNC X 70 99 NUT		00	02	00	00	00
04	0511042484	2-1/2" X 78" AXLE WITH NUTS		00	05	03	02	00
04A	0541012129	2-1/2" X 78" AXLE		00	01	01	01	00
04B	0502040064	2.1/2"SNC X 70 99 NUT		00	02	02	02	00
05	0502010593	2-1/2" EXTERNAL AXLE WASHER		04	06	06	06	06
06	0602044002	32" X 0.3" NOTCHED DISC BLADE		31	35	39	41	00
07	0602046001	34" X 0.3" NOTCHED DISC BLADE		00	35	39	41	45
08	0602048001	36" X 0.3" X 9" NOTCHED DISC BLADE		00	35	39	00	45
09	0511042290	13" X 2-1/2" OIL BATH BEARING	14	08	12	12	12	12
10	0502011425	13" X 2-1/2" SPACER		19	17	21	23	27
11	0501041301	1-1/4" X 5-3/4" ASSY BOLT		16	24	24	24	24
11A	0501010954	1-1/4" X 5-3/4" BOLT		16	24	24	24	24
11B	0501010953	1-1/4" SQUARE WASHER		16	24	24	24	24
11C	0531010713	FLAT WASHER		16	24	24	24	24
11D	0501010087	1.1/4" NUT		32	48	48	48	48
12	0502010592	2-1/2" INNER AXLE WASHER		04	06	06	06	06
13	0541010368	NUT LOCK		08	12	12	12	12
14	0503010232	5/8" X 1.3/4" BOLT		16	24	24	24	24
15	0501012140	FLAT WASHER		16	24	24	24	24
16	0503010027	5/8" SPRING WASHER		16	24	24	24	24
17	0503010013	5/8" NUT		16	24	24	24	24



Item	Code	Description	See page	QT
01	0511045349	AGRICULTURAL BEARING	15	01
02	0503010834	1/2 X 1 BOLT		04
03	0503010019	1/2" SPRING WASHER		04
04	0511017302	FLAT WASHER		04
05	0521067034	BEARING PROTECTIVE COVER WITH REINFORCEMENT		01

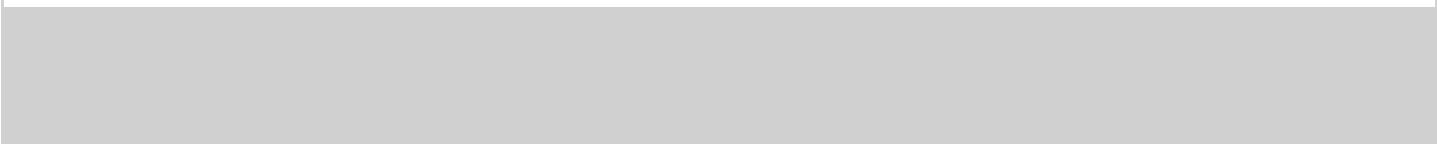


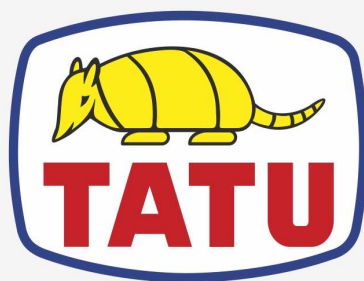
Item	Code	Description	See page	QT
01	0502012218	13" 2-1/2" HOUSING BEARING		01
02	0503010482	594A/592A ROLLER BEARING		02
03	0502040204	AXLE		01
04	0502040119	SEAL RETAINER		02
05	0503030029	SEAL # LP JB-259		02
06	0503030537	8.3" X 6.3" X 0.01" JOINT		03
07	0503030687	8.3" X 6.3" X 0.004" JOINT		02
08	0502010644	HOUSING CAP DM		01
09	0503011440	SPRING WASHER		06
10	0503010920	1/2" X 1.1/2" BOLT		06
11	0502012239	BEARING OUTER FLANGE		01
12	0502012238	BEARING INNER FLANGE		01
13	0503010856	OIL PLUG		02



ANNOTATION

Lined writing area with 20 horizontal grey lines.





MARCHESAN

Technical Publications | Elaboration and Revision

ALESSANDRA PATRICIA KAWAHARA CARRILI

www.marchesan.com.br

