

**OFFSET DISK HARROW**

# **GCRO 7010 (AXLE 2.1/8") ARTICULATED HYDRAULIC 60 DISCS**

**Code:** 0501091461

**Series:** S-0715

**Revision:** 00

**Date Revision:** MAIO/2022

# **PARTS CATALOGUE**



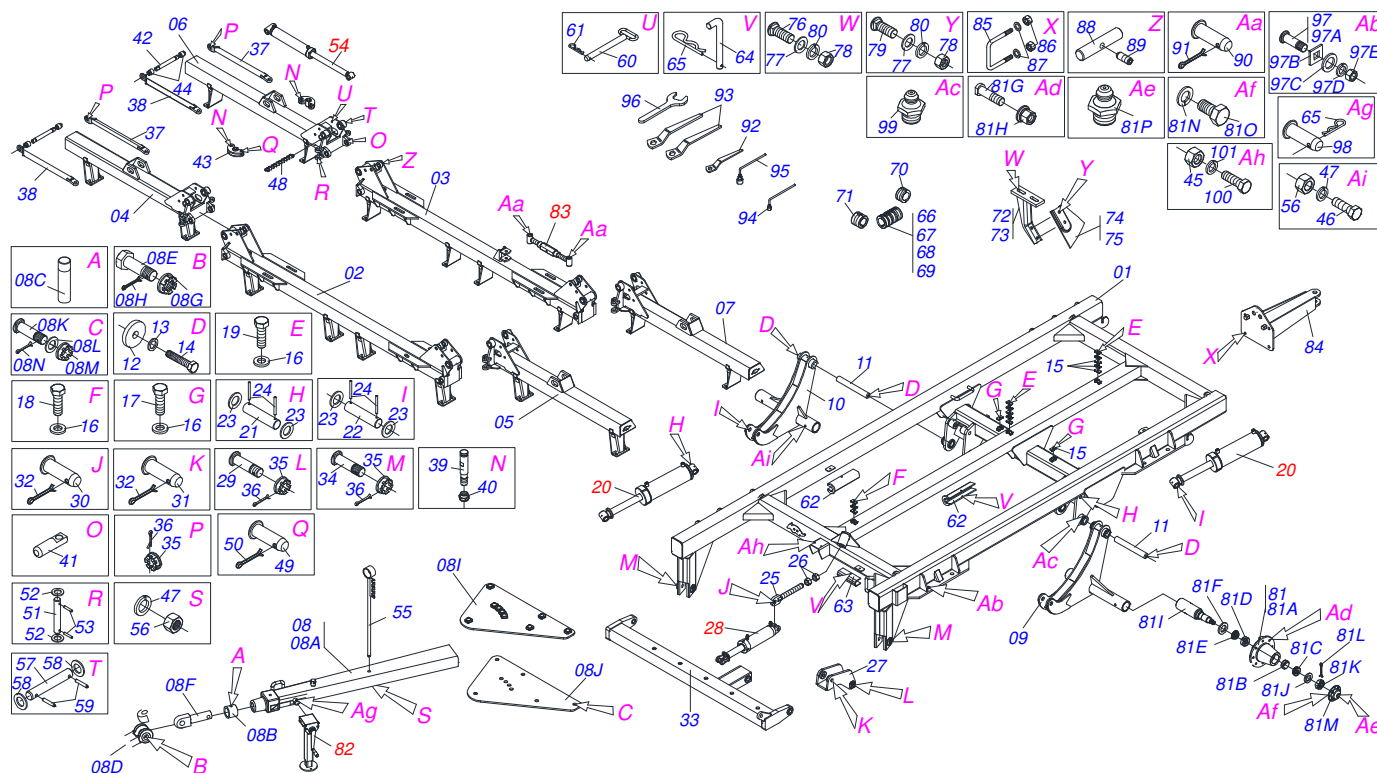
**MARCHESAN**



**MARCHESAN**

# INDEX

0909090735	GCRO 7010 2.1/8" 60 D. S-0715	.....	1
0909090736	GANG DISC	.....	2
0909090737	GANG DISC	.....	3
0909090738	GANG DISC	.....	4
0511046492	OIL BATH BEARING	.....	5
0511048618	101,6 X 810 HYDRAULIC CYLINDER	.....	6
0511048619	HYDRAULIC CYLINDER	.....	7
0511048617	HYDRAULIC CYLINDER	.....	8
0501052005	STABILIZER FOR GANG	.....	9
0511048088	DRAWBAR JACK	.....	10
0909091453	52 TO 60 HYDRAULIC CIRCUIT	.....	11



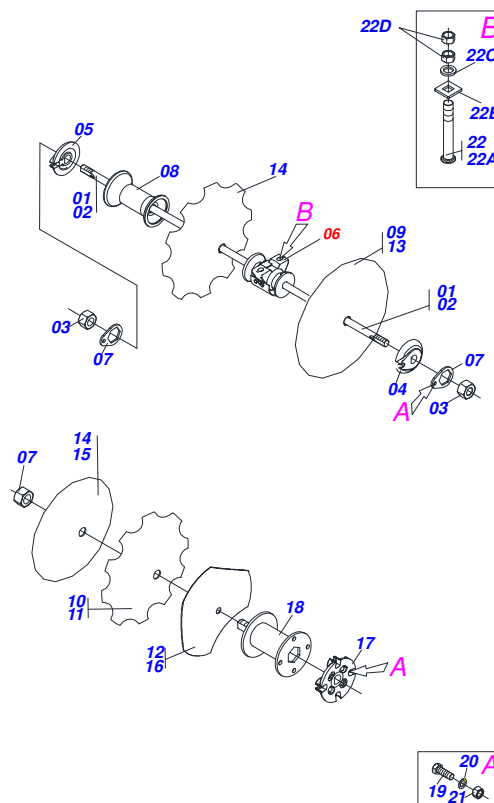
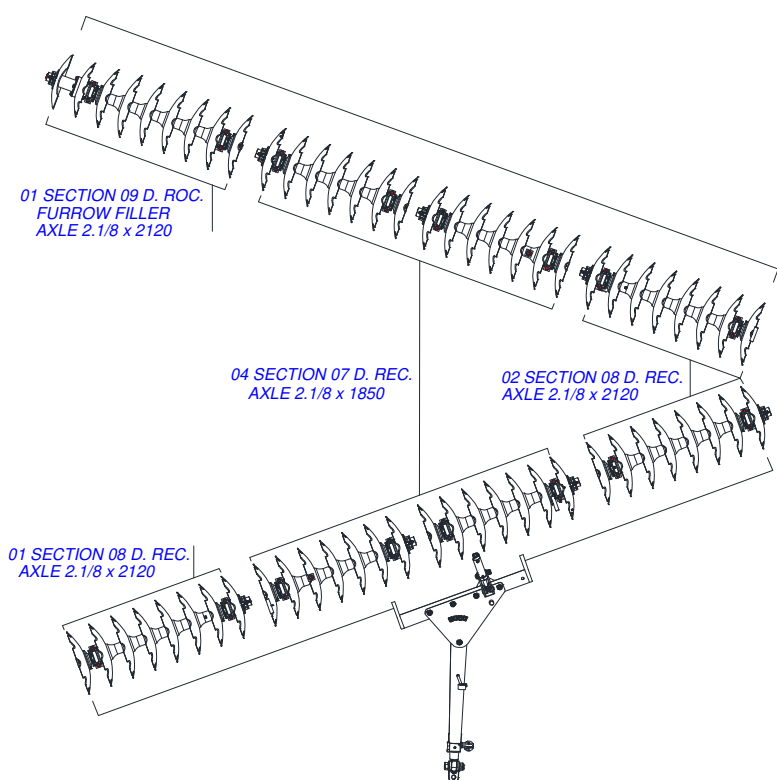
Item	Code	Description	See page	60 DISCOS
001	0511066590	FRAME GCRO 7010/7012	01	
002	0521066224	REAR CENTRAL FRAME	01	
003	0521066227	REAR CENTER FRAME	01	
004	0521066225	RIGHT SIDE FRONT FRAME	01	
005	0521066226	LEFT SIDE REAR FRAME	01	
006	0521066228	RIGHT REAR FRAME	01	
007	0521066229	LEFT SIDE REAR FRAME	01	
008	0511041592	DRAWBAR ASSY	01	
008A	0511064669	DRAWBAR ASSY	01	
008B	0502040263	ANEL TRAVA ENGATE	01	
008C	0501014219	32M107 PIN	01	
008D	0502040293	YH-90 CLEVIS	01	
008E	0511067199	2" BOLT	01	
008F	0502040264	DRAWBOLT	01	
008G	0502040558	2" CASTLE NUT	01	
008H	0503010014	3/4" NUT	01	
008I	0511064659	UPPER PLATE	01	
008J	0511064658	LOWER PLATE	01	
008K	0521011880	37,5 X 242 COUPLING SHAFT	06	
008L	0501012916	FLAT WASHER 38,50 X 66 X 4,75 ZN	06	
008M	0501011301	1.1/2 UNC 6FPP 2.5/16 NUT	06	
008N	0503010010	1/4" X 2.1/2" COTTERPIN	06	
009	0511066611	LEFT CARRYING-WHEELS SUPPORT	01	
010	0511066741	RIGHT CARRYING-WHEELS SUPPORT	01	
011	0531018062	COUPLING SHAFT	02	
012	0521011565	FLAT WASHER	04	
013	0503010012	1" SPRING WASHER	04	
014	0503011250	1" X 2" BOLT	04	
015	0502012702	BODY SUPPORT CLAMP	12	
015A	0531011180	UPPER BODY CLIP	03	
016	0503010180	7/16" SPRING WASHER	05	



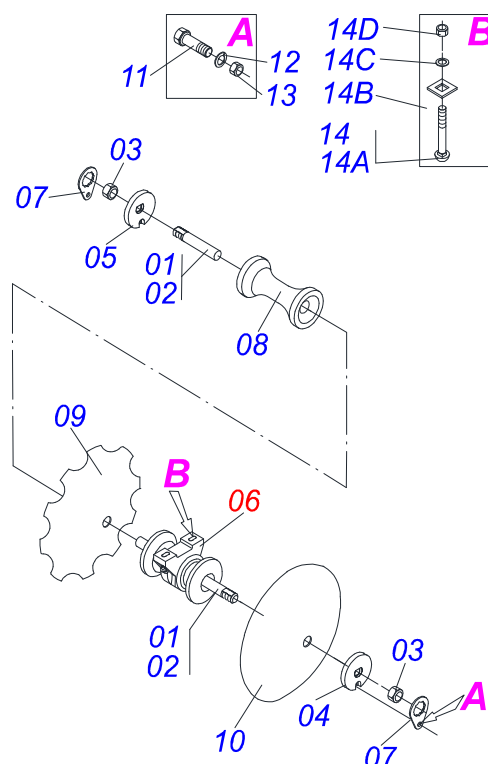
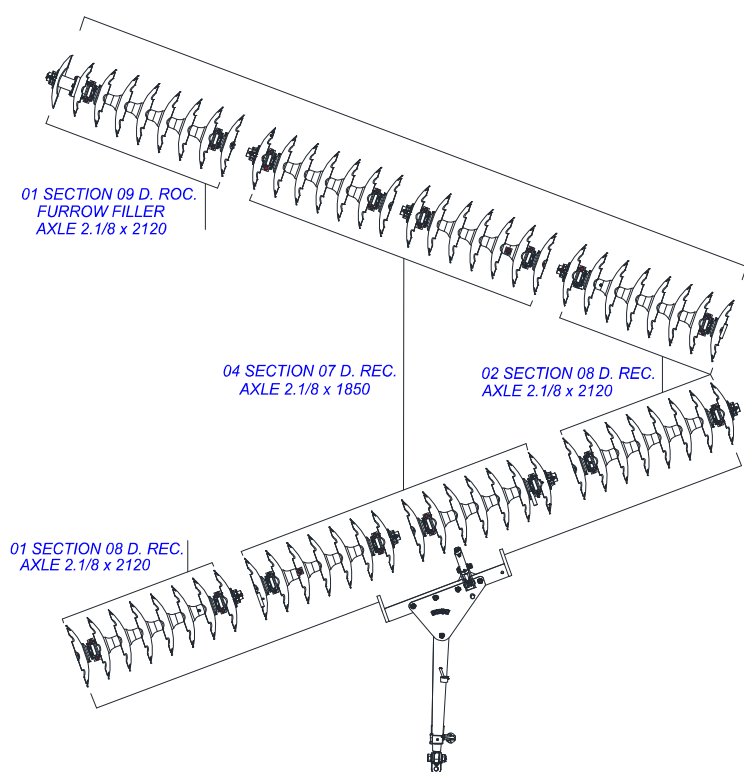
Item	Code	Description	See page	60 DISCOS
017	0503012555	SCREW 7/16 UNC X 2 CS RT G.7 ZN		02
018	0503010850	BOLT 7/16 UNC X 3 CS G.5 ZN		01
019	0503010723	7/16UNC X 4 C SG.5 ZN1K19920 BOLT		02
020	0511048619	HYDRAULIC CYLINDER	7	02
021	0531018105	1.2" X 11.8" PIVOT SHAFT		02
022	0531018101	1.2" X 6.3" PIVOT SHAFT		02
023	0501017779	32 X 60 X 4.75 FLAT WASHER		08
024	0503011877	0.3" X 2.4" SPRING PIN		08
025	0511064433	REGULATOR SPINDLE 1-3/4		01
026	0501010333	1.3/4" NUT		02
027	0511064656	DRAWBAR PIVOT		01
028	0511048617	HYDRAULIC CYLINDER	8	01
029	0521012053	1.5" X 8.6" AXLE		01
030	0521012538	1.2" X 3.5" COUPLING SHAFT		01
031	0531019171	1.25" X 7" COUPLING SHAFT		01
032	0503010523	1/4" X 2" COTTERPIN		02
033	0511066478	HITCH BAR		01
034	0531018100	37,50 X 200 COUPLING SHAFT		02
035	0501011301	1.1/2 UNC 6FPP 2.5/16 NUT		11
036	0503010010	1/4" X 2.1/2" COTTERPIN		11
037	0511067209	FRONT DRIVER ARM		04
038	0511067210	DRIVER ARM		04
039	0541016749	LOCK AXLE PIVOT		08
040	0541019258	1.1/4 ADJUSTING NUT		08
041	0541019253	FRAME LOCK AXLE		08
042	0501210091	ARTICULATOR PIVOT AXIS		04
043	0511066497	LOK PIVOT		08
044	0541016614	38,20 X 62 X 61 SLEEVE		08
045	0503010026	3/8" NUT		02
046	0503013185	3/4" X 5-1/2" BOLT		04
047	0503010023	3/4" SPRING WASHER		05
048	0503032537	50,7 X 325 X 6,35 TRACTION SPRING		04
049	0521010572	0.9" X 2.9" COUPLING SHAFT		08
050	0503010571	1/4" X 1.1/2 COTTERPIN		08
051	0541016677	37,20 X 177 COUPLING SHAFT		08
052	0511019685	FLAT WASHER		08
053	0503010361	SPRING PIN		08
054	0511048618	101,6 X 810 HYDRAULIC CYLINDER	6	02
055	0511064470	HOSE HOLDER ASSY		01
056	0503010014	3/4" NUT		05
057	0521011720	2.0" X 15.7" COUPLING SHAFT		04
058	0511019776	FLAT WASHER		08
059	0503011069	0.4" X 2.8" SPRING PIN		08
060	0501069463	1" X 8" LOCK PIN		04
061	0503030012	HITCH PIN CLIP		04
062	0511064985	TRANSPORT LOCK		02
063	0551010332	TRANSPORT LOCK		01
064	0541016844	FIXER LOCK		03
065	0503030168	HITCH PIN CLIP		04
066	0501047895	ROD STOP		03
067	0501047896	1.18" ROD STOP		03
068	0501047897	1.38" ROD STOP		03
069	0501047898	1.57" ROD STOP		03
070	0501047917	1.96" ROD STOP		03
071	0501047924	ROD STOP		03
072	0511065925	REAR SCRAPER SUPPORT		31
073	0511065926	FRONT SCRAPER SUPPORT		30
074	0541013461	FRONT SCRAPER SHOVEL		30
075	0541013463	REAR SCRAPER SHOVEL		31



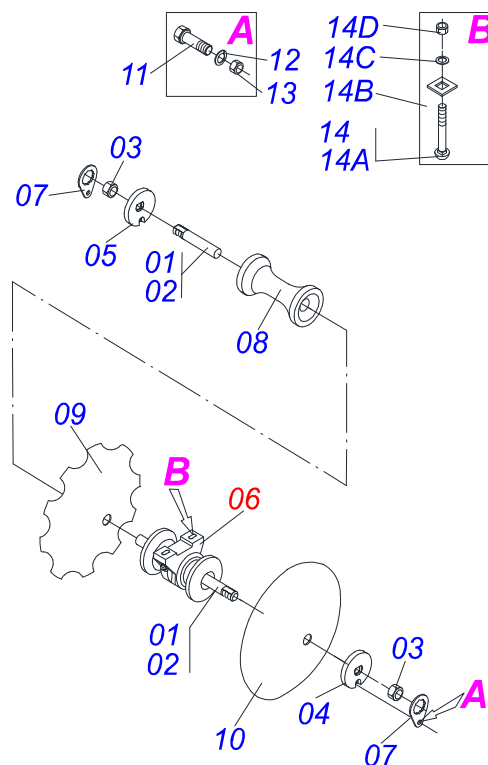
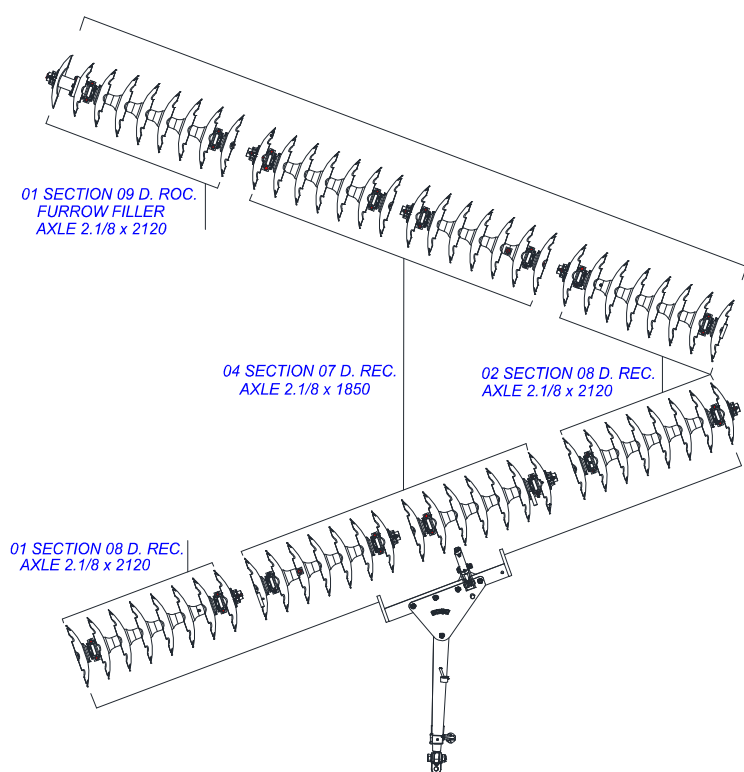
Item	Code	Description	See page	60 DISCOS
076	0503013842	5/8" UNC X 1-3/4" BOLT		122
077	0501012140	FLAT WASHER		124
078	0503010013	5/8" NUT		244
079	0503012195	5/8" NUT		122
080	0503010027	5/8" SPRING WASHER		264
081	0501056467	STUB SHAFT & HUB ASSY		04
081A	0502012260	TRANSPORT WHEEL BOX		04
081B	0503013270	3720 CAP		04
081C	0503013271	3780 CONE		04
081D	0503013266	2720 CAP		04
081E	0503013267	2780 CONE		04
081F	0503013314	RETAINER 5166-GB 63,5 X 110 X 13 ARCA		04
081G	0501010186	WHEEL SCREW 5/8UNF X 2.1/8CR		32
081H	0503010064	5/8 UNF CONIC NUT		32
081I	0541016566	POINT AXIS 3.1/2 X 375		04
081J	0511012492	FLAT WASHER		04
081K	0503010009	RETAINER 00573-B		04
081L	0503010018	5/32 X 1-1/2 COTTERPIN		04
081M	0502020591	PROTECCION COVER		04
081N	0503011444	SPRING WASHER		16
081O	0503010358	5/16" X 5/8" BOLT		16
081P	0503010002	1800 GREASE FITTING		04
082	0511048088	DRAWBAR JACK	10	01
083	0501052005	STABILIZER FOR GANG	9	01
084	0501069421	REAR HITCH GCRO		01
085	0541016679	7/8 UNF X 188,5 FASTENER		02
086	0503010558	7/8" NUT		04
087	0503010408	7/8" SPRING WASHER		04
088	0541016676	1.1/2 X 175 AXLE		04
089	0503013662	1/2" X 1" BOLT		04
090	0521010546	1.2" X 5.7" COUPLING SHAFT		02
091	0503010523	1/4" X 2" COTTERPIN		02
092	0501011432	1-1/2" AND 1-5/8 GANG BOLT WRENCH		01
093	0501011431	1-3/4" GANG BOLT WRENCH		02
094	0501061609	3/4" WRENCH CABLE CYLINDRICAL		01
095	0501062300	1-1/4" WRENCH CABLE CYLINDRICAL		01
096	0541015451	FIXED KEY 2.3/8 X 2.3/4		01
097	0501041102	1-1/4" X 3-3/4" ASSY BOLT		08
097A	0501015348	1-1/4" X 3-3/4" BOLT		08
097B	0501010953	1-1/4" SQUARE WASHER		08
097C	0531010713	FLAT WASHER		08
097D	0503010070	SPRING WASHER		08
097E	0501010087	1.1/4" NUT		08
098	0541011345	16 X 68 PLUGER		01
099	0503010002	1800 GREASE FITTING		65
100	0503010765	3/8" X 3" BOLT		02
101	0503010025	3/8" SPRING WASHER		02



Item	Code	Description	See page	QT
00	0909090736	GANG DISC	2	00
01	0511047066	2-1/8" X 2120 AXLE WITH NUTS		01
02	0551017148	2-1/8" X 2120 AXLE		01
03	0502040063	2.1/8" X 54 99 NUT		02
04	0502010595	2-1/8" INNER AXLE WASHER		01
05	0502010594	2-1/8" EXTERNAL AXLE WASHER		01
06	0511046492	OIL BATH BEARING	5	02
07	0541010368	NUT LOCK		02
08	0502012480	263 SPACER		05
09	0602040001	30" X 0.3" NOTCHED DISC BLADE		60
10	0602037002	28" X 0.3" NOTCHED DISC BLADE		01
11	0602033178	26 X 7,5 NOTCHED DISC		01
12	0602030443	24" X 6 NOTCHED DISC BLADE		01
13	0601033248	26" X 0.3" PLAIN DISC BLADE		60
14	0601031130	24" X 6 PLAIN DISC BLADE		01
15	0601029402	22" X 0.2" PLAIN DISC BLADE		01
16	0602027339	20" X 0.3" NOTCHED DISC BLADE		01
17	0502012377	1-5/8" EXTERNAL AXLE LOK		01
18	0511067146	10.35" AXLE 1-5/8" SPACER		01
19	0503010232	5/8" X 1.3/4" BOLT		12
20	0503010027	5/8" SPRING WASHER		12
21	0503012412	5/8 UNC SELF LOCKING NUT		12
22	0501041925	3/4" X 3-1/2" BOLT ASSY		04
22A	0501010950	3/4" X 3-1/2" BOLT		04
22B	0501010949	3/4" SQUARE WASHER		04
22C	0501010322	FLAT WASHER		04
22D	0503010014	3/4" NUT		04

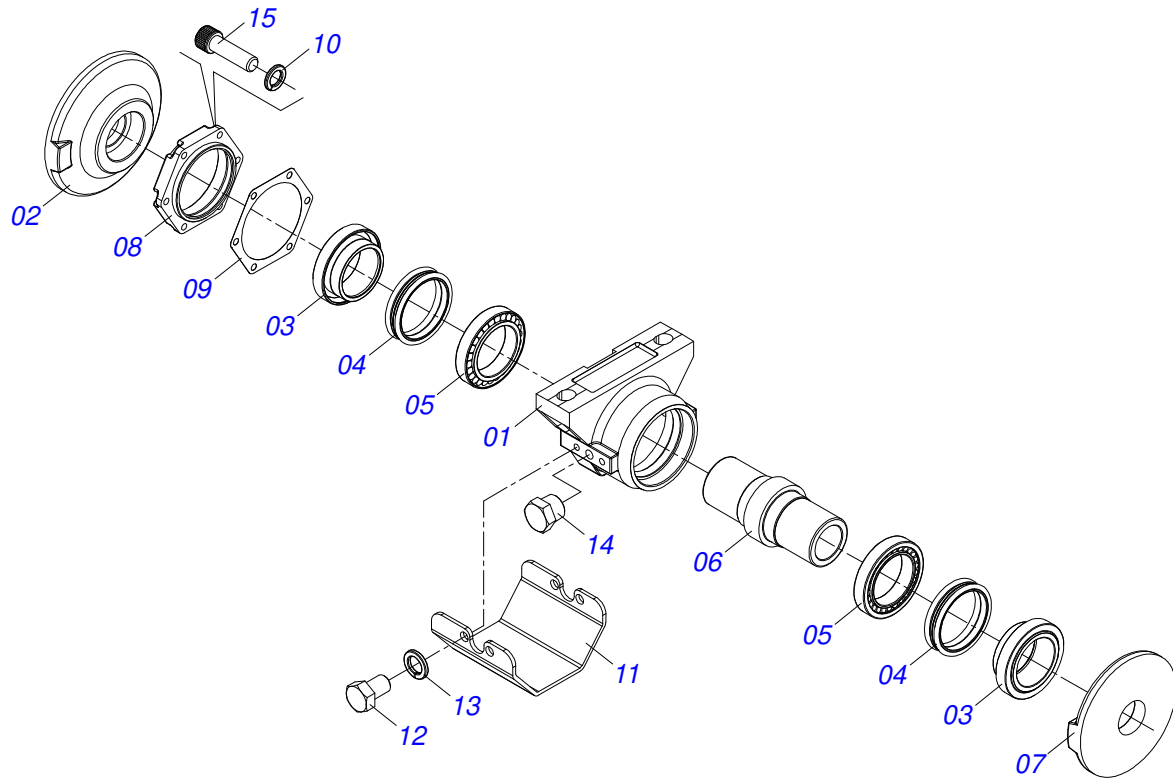


Item	Code	Description	See page	QT
00	0909090737	GANG DISC	3	01
01	0511047066	2-1/8" X 2120 AXLE WITH NUTS		01
02	0551017148	2-1/8" X 2120 AXLE		01
03	0502040063	2.1/8" X 54 99 NUT		02
04	0502010595	2-1/8" INNER AXLE WASHER		01
05	0502010594	2-1/8" EXTERNAL AXLE WASHER		01
06	0511046492	OIL BATH BEARING	5	02
07	0541010368	NUT LOCK		02
08	0502012480	263 SPACER		05
09	0602040001	30" X 0.3" NOTCHED DISC BLADE		08
10	0601033248	26" X 0.3" PLAIN DISC BLADE		08
11	0503010232	5/8" X 1.3/4" BOLT		02
12	0501012140	FLAT WASHER		02
13	0503012412	5/8 UNC SELF LOCKING NUT		02
14	0501041925	3/4" X 3-1/2" BOLT ASSY		04
14A	0501010950	3/4" X 3-1/2" BOLT		04
14B	0501010949	3/4" SQUARE WASHER		04
14C	0501010322	FLAT WASHER		04
14D	0503010014	3/4" NUT		04

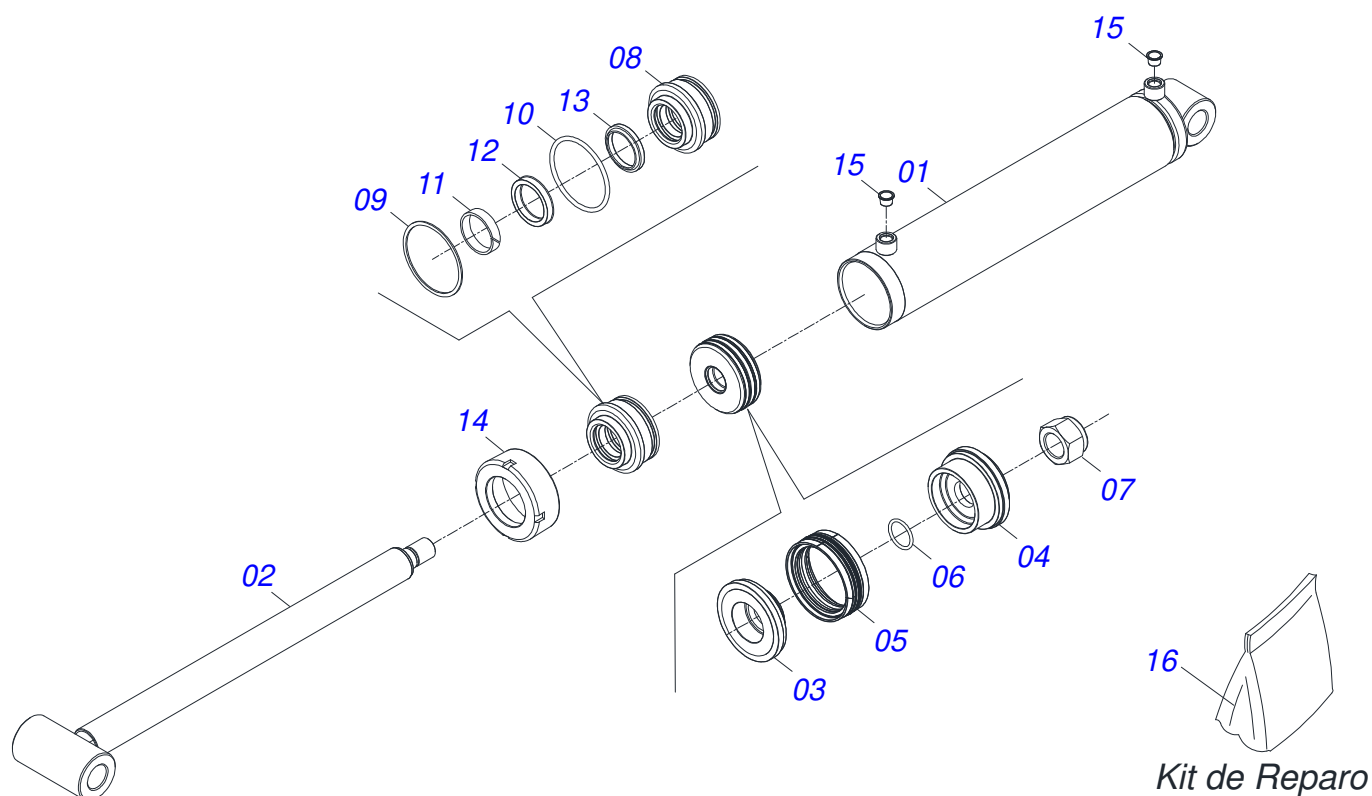


Item	Code	Description	See page	QT
00	0909090738	GANG DISC	4	01
01	0501043062	2.1/8" X 1850 AXLE WITH NUTS		01
02	0501019046	2.1/8" X 1850 AXLE		01
03	0502040063	2.1/8" X 54 99 NUT		02
04	0502010595	2-1/8" INNER AXLE WASHER		01
05	0502010594	2-1/8" EXTERNAL AXLE WASHER		01
06	0511046492	OIL BATH BEARING	5	02
07	0541010368	NUT LOCK		02
08	0502012480	263 SPACER		04
09	0602040001	30" X 0.3" NOTCHED DISC BLADE		07
10	0601033248	26" X 0.3" PLAIN DISC BLADE		07
11	0503010232	5/8" X 1.3/4" BOLT		02
12	0501012140	FLAT WASHER		02
13	0503012412	5/8 UNC SELF LOCKING NUT		02
14	0501041925	3/4" X 3-1/2" BOLT ASSY		04
14A	0501010950	3/4" X 3-1/2" BOLT		04
14B	0501010949	3/4" SQUARE WASHER		04
14C	0501010322	FLAT WASHER		04
14D	0503010014	3/4" NUT		04

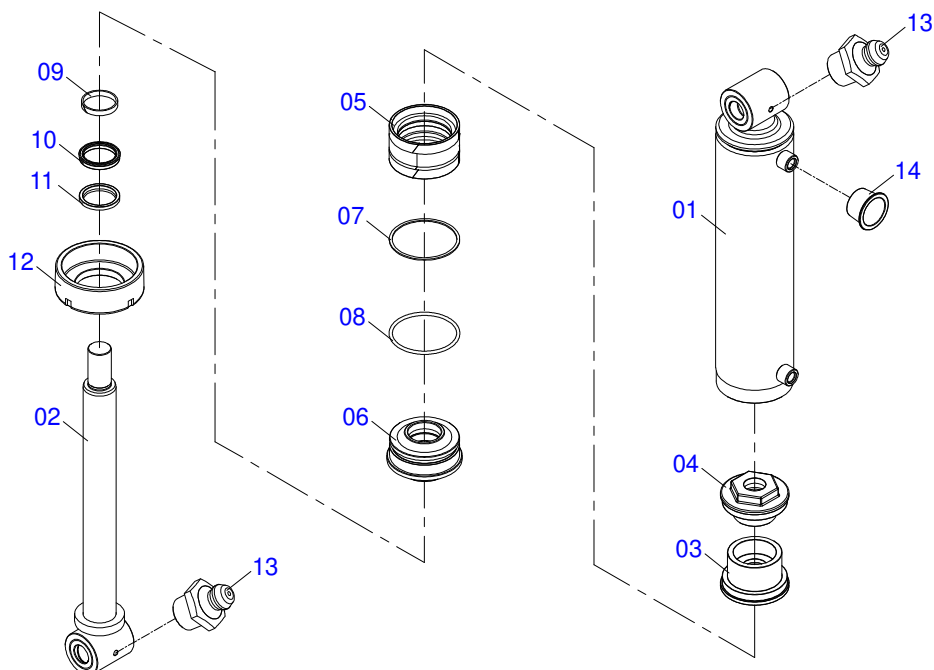




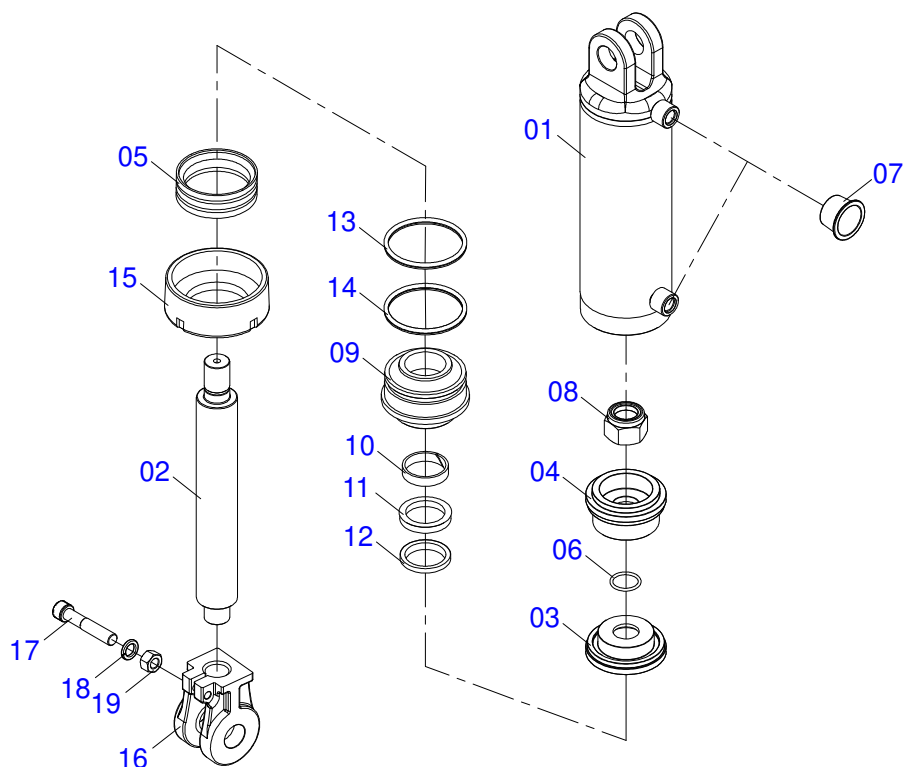
Item	Code	Description	See page	QT
01	0502012482	HOUSING BEARING		01
02	0502040195	OUTER FLANGE		01
03	0502040198	SEAL RETAINER		02
04	0503030028	JB-257 SEAL		02
05	0503013966	ROLLER BEARING		02
06	0502040197	MRO 266,7 X 10.1/2 AXLE		01
07	0502040196	INNER FLANGE		01
08	0502012481	BOX COVER		01
09	0503032999	JOINT		01
10	0503011443	3/8" SPRING WASHER		06
11	0551017124	PROTECTION COVER		01
12	0503011401	1/2" X 3/4" BOLT		04
13	0503010019	1/2" SPRING WASHER		04
14	0503010856	OIL PLUG		02
15	0503010175	3/8" X 1-1/4" BOLT		06



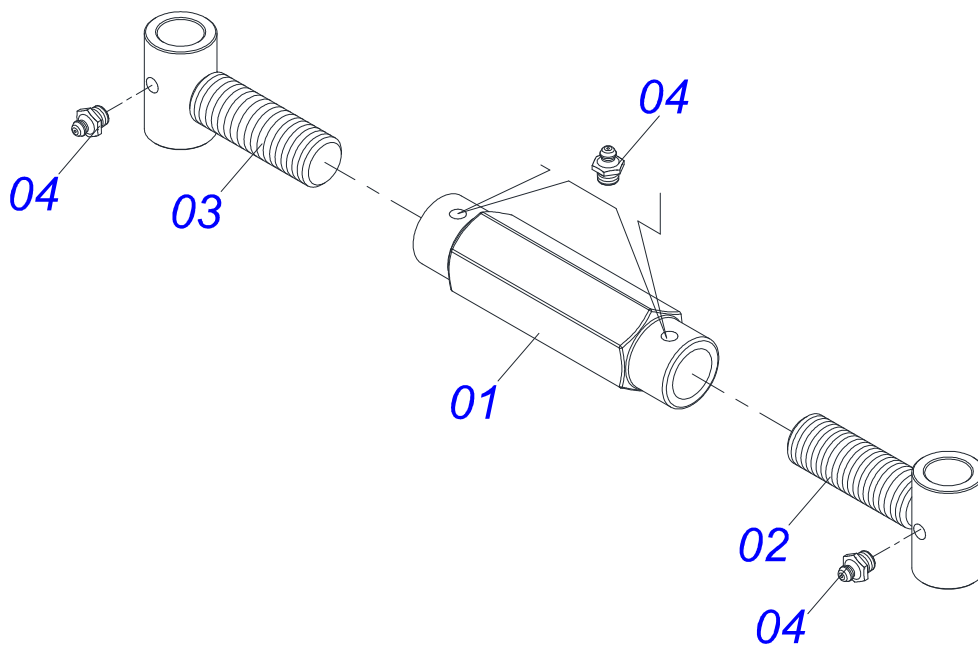
Item	Code	Description	See page	QT
01	0521061438	101,6 X 850,5 X 38,4 CYLINDER CASE		01
02	0521061439	50,80 X 751,50 X 38,40 TURNBUCKLE		01
03	0561016389	PISTON BODY		01
04	0561016387	PISTON BODY		01
05	0503015633	SELEMASTER SEALING		01
06	0503010345	2-218 N 3006-9B O'RING		01
07	0503010817	1.1/4" SELF LOCKING NUT		01
08	0502012642	SUPPORT OF THE RINGS		01
09	0503011061	8-342 BACK-UP RING		01
10	0503010338	2-342 N 3006-9B O'RING		01
11	0503015634	RING SLYDRING		01
12	0503015635	U-CUP SEAL		01
13	0503015636	SCRAPER SEAL		01
14	0502010017	4" HEAD		01
15	0503030384	CON PLUG N-001		02
16	0521041338	HYDRAULIC CYLINDER REPAIR KIT		01



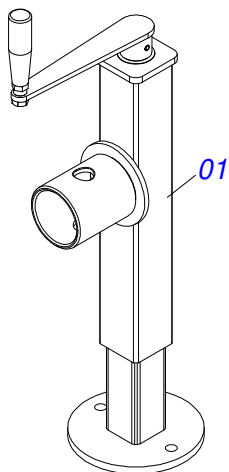
Item	Code	Description	See page	QT
01	0521061685	114,30 X 500 CYLINDER CASE		01
02	0521061684	56,98 X 590,50 TURNBUCKLE		01
03	0561016578	PISTON BODY		01
04	0502012643	PISTÓN BODY		01
05	0503015640	SEALING SELEMASTER		01
06	0502012644	RING SUPPORT		01
07	0503011893	BACK-UP RING, 8-346		01
08	0503011892	O' RING, 2-346 N 3006-9B		01
09	0503015641	WEAR RING		01
10	0503015642	U-CUP SEALING		01
11	0503015715	SCRAPER SEALING		01
12	0502011222	0.56" END CAP		01
13	0503010002	1800 GREASE FITTING		02
14	0503030384	CON PLUG N-001		02
15	0521041339	HYDRÁULIC CYLINDER REPAIR KIT		



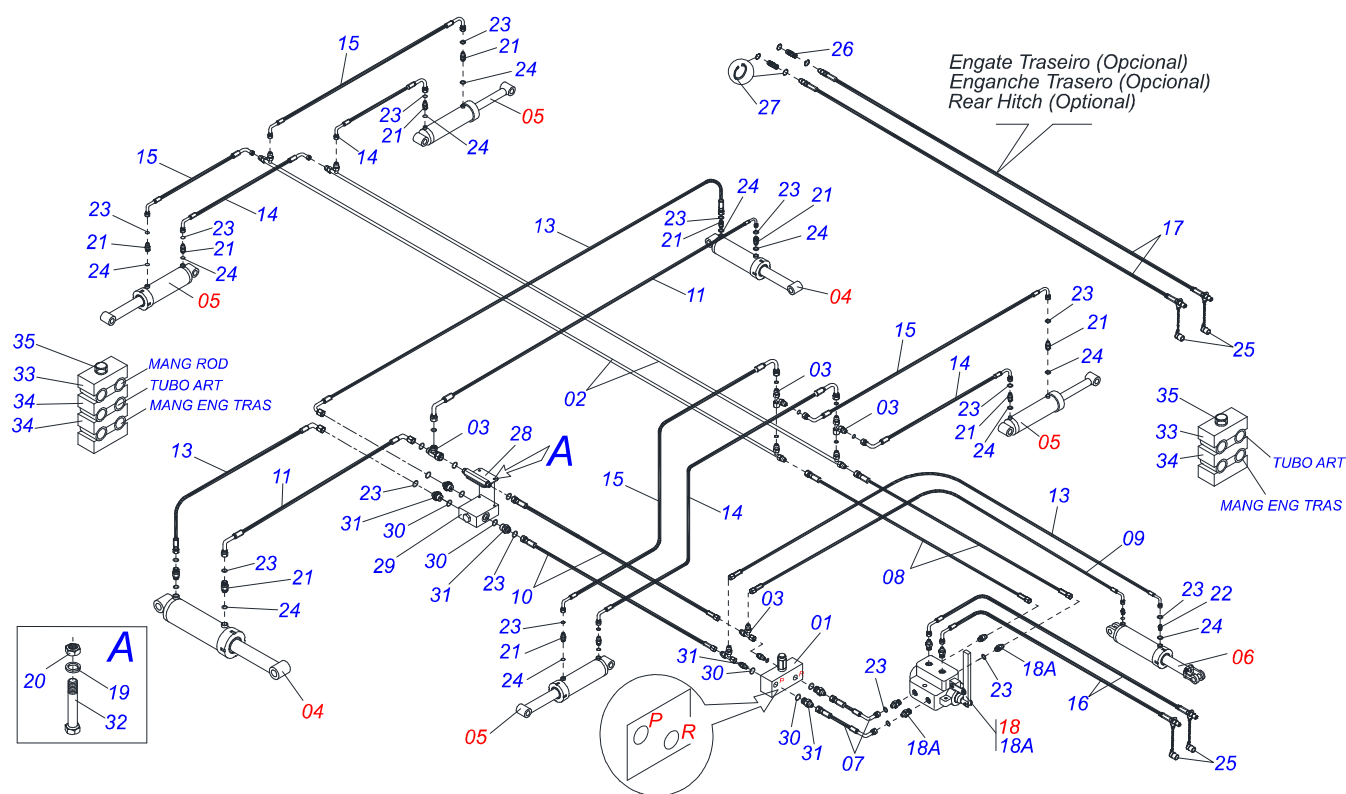
Item	Code	Description	See page	QT
01	0511061336	101,6 X 398 CYLINDER CASE		01
02	0521010422	HYDRAULIC CYLINDER TURNBUCKLE		01
03	0561016389	PISTON BODY		01
04	0561016387	PISTON BODY		01
05	0503015633	SELEMASTER SEALING		01
06	0503010345	2-218 N 3006-9B O'RING		01
07	0503030384	CON PLUG N-001		02
08	0503010817	1.1/4" SELF LOCKING NUT		01
09	0502012642	SUPPORT OF THE RINGS		01
10	0503015634	RING SLYDRING		01
11	0503015635	U-CUP SEAL		01
12	0503015636	SCRAPER SEAL		01
13	0503010338	2-342 N 3006-9B O'RING		01
14	0503011061	8-342 BACK-UP RING		01
15	0502010017	4" HEAD		01
16	0502040747	32.54 CLEVIS CLAMP		01
17	0503011094	3/8" X 2" BOLT		01
18	0503011443	3/8" SPRING WASHER		01
19	0503010026	3/8" NUT		01
20	0501039361	HYDRAULIC CYLINDER REPAIR KIT		01



Item	Code	Description	See page	QT
01	0502011469	245 ADJUSTMENT NUT		01
02	0501069416	JACKET		01
03	0501069417	JACK CRANK		01
04	0503010002	1800 GREASE FITTING		04



Item	Code	Description	See page	QT
01	0503062227	DRAWBAR JACK		01



Item	Code	Description	See page	QT
01	050105696	DISCHARGE VALVE OFS ASSY		04
02	0521061048	3430 OIL TUBE		02
03	0503013637	T 1/2" MALE ADAPTER		08
04	0521051832	HYDRAULIC CYLINDER 53,98 X 114,30 X 654 X 346		02
05	0511048618	101,6 X 810 HYDRAULIC CYLINDER	6	04
06	0511048617	HYDRAULIC CYLINDER	8	01
07	0501080549	1/2" X 450 TR-TC OFS HOSE		02
08	0501080537	1/2" X 600 TR-TR OFS HOSE		04
09	0501080970	1/2" X 23.6" TR-TC OFS HOSE		02
10	0501081088	1/2 X 650 TR-TM HOSE ASSY		02
11	0501081116	1/2 X 1630 TC-TC HOSE ASSY		02
12	0501081135	1/2" X 2850 TR-TC HOSE ASSY		01
13	0501081115	1/2" X 1330 TC-TR HOSE ASSY		02
14	0501081533	1/2 X 2350 HOSE ASSY		04
15	0501081532	2950 TC-TC HOSE ASSY		04
16	0501081534	5300 TC-TM HOSE ASSY		02
17	0501081766	1/2 X 9600 TM-TM HOSE ASSY		02
18	0511043139	VALVE ASSY		01
18A	0503013319	VALVE ASSY		01
18B	0503032098	13/16" NIPPLE		06
19	0503010179	LOCK WASHER		02
20	0503010337	5/16" NUT		02
21	0503030923	3/4" UNF X 13/16UN OFS X 40 NIPPLE		12
22	0503032031	3/4" UNF REDUCTION NIPPLE		02
23	0503010190	2-114 N 3006-9B O'RING		14
24	0503011030	2-014 N 3006-9B O'RING		48
25	0501053834	MALE QUICK COUPLER		04
26	0501053835	FEMALE QUICK COUPLER		02
27	0503010217	501040 CLAMPING RING (FOR AXLE)		04
28	0521062967	OIL TUBE DISTRIBUTOR		01
29	0503016227	FLOW DIVIDING VALVE		01



Item	Code	Description	See page	QT
30	0503011109	2-119 N 3006-9B O'RING		03
31	0571010736	NIPPLE R1.1/16 UN X 13/16UN OFS		03
32	0503011053	5/16" X 3" C S 6.5 ZN BOLT		02
33	0531011180	UPPER BODY CLIP		02
34	0502012702	BODY SUPPORT CLAMP		09
35	0503010723	7/16UNC X 4 C SG.5 ZN1K19920 BOLT		02







**MARCHESAN**

**Technical Publications | Elaboration and Revision**

ALESSANDRA PATRICIA KAWAHARA CARRILI

[www.marchesan.com.br](http://www.marchesan.com.br)

