

PARTS CATALOG

PCA - AGRICULTURAL FRONT LOADER

PCA 600 VALMET / VALTRA 800/900-4

Code: 0501091455



Series: S-1199

Rev.: 00

Date Rev.: NOVEMBRO/1999

**ORIGINAL PARTS
TATU**



PRODUCTS

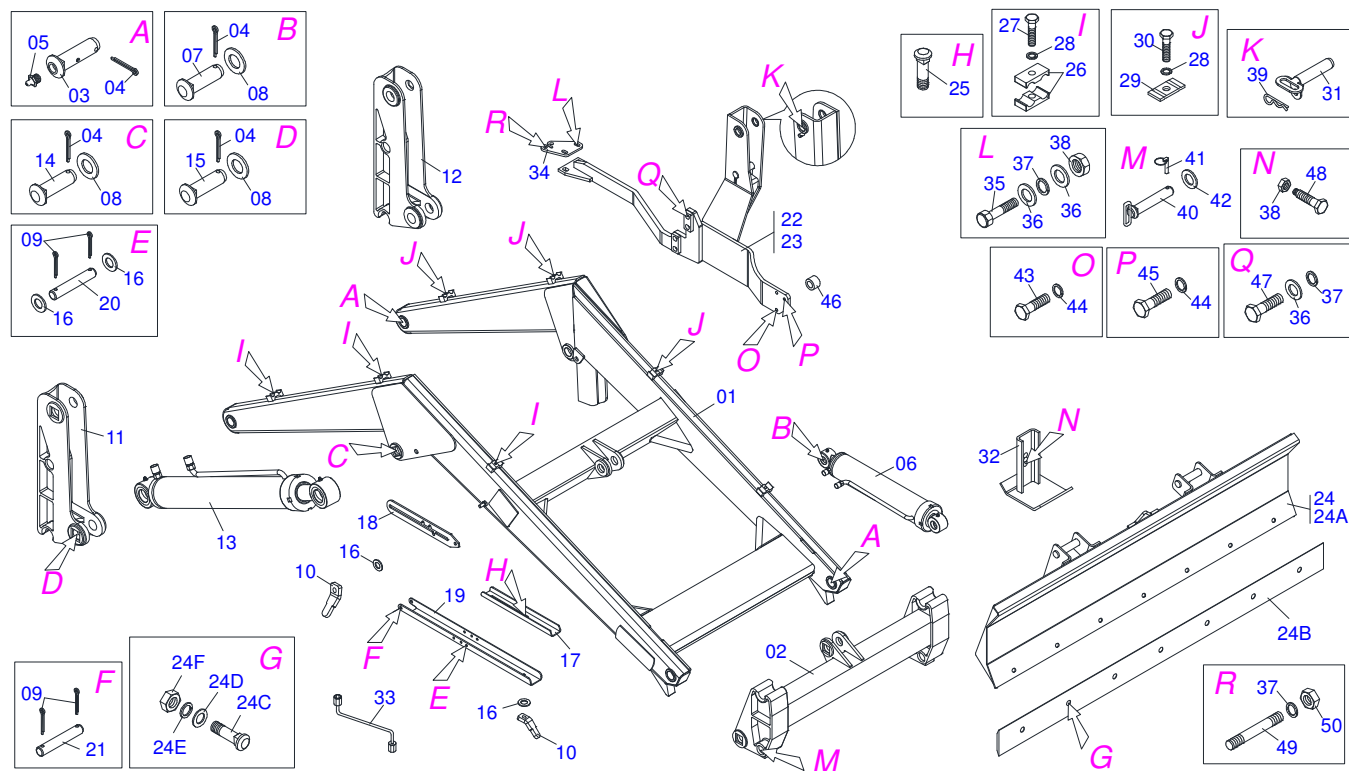
Code	Description
0106110241	PCA 600 VTR 800 A900-4 BT CD S-1199
0106110382	PCA 600 VTR 800/800-4 BT SC S-1199
0106110238	PCA 600 VTR 800/800-4 SHT CD S-1199
0106110758	PCA 600 VTR 800/800-4 SHT CD S-1199
0106110239	PCA 600 VTR 800/800-4 SHT SL S-1199
0106110377	PCA 600 VTR 800/800-4BT SC SL S1199
0106110242	PCA 600 VTR 800A900-4 BT CDSL S1199
0106110240	PCA 600 VTR800/800-4SHTCT GSA S1199
0106110243	PCA 600 VTR800A900-4 BTCT GSA S1199
0106110701	PCA/PAC 600 VTR 800-4 SHT CD S-1199

ATTENTION: **IMPORTANT**

MARCHESAN S/A RESERVES THE RIGHT AT ANY TIME TO MAKE IMPROVEMENTS IN THE DESIGN, MATERIAL OR SPECIFICATIONS OF MACHINERY, EQUIPMENT OR PARTS WITHOUT THEREBY BECOMING LIABLE TO MAKE SIMILAR CHANGES IN MACHINERY, EQUIPMENT OR PARTS PREVIOUSLY SOLD.

INDEX

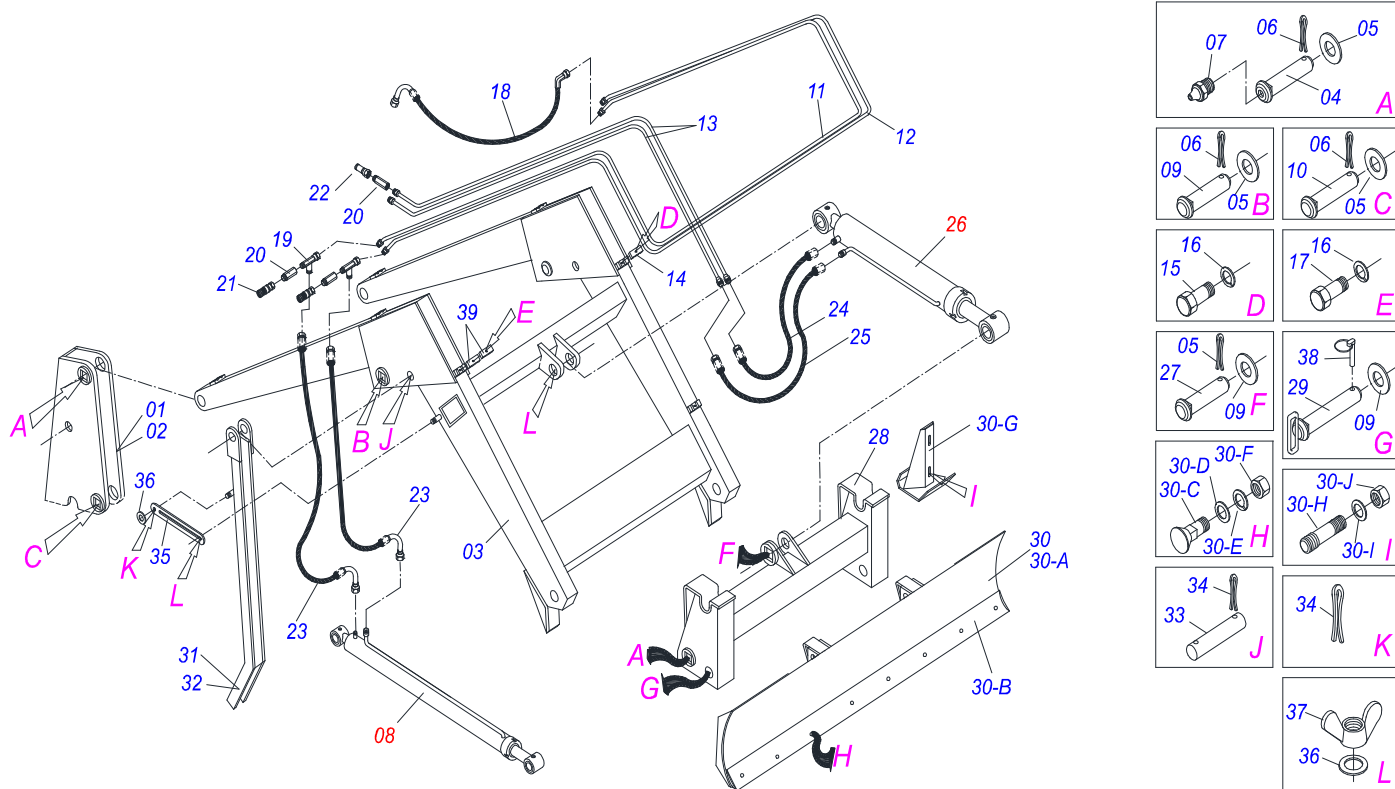
0909094059	MOBILE SUPPORT PCA 600	1
0909090283	600 MOBILE SUPPORT SHT S-0198	2
0909092260	600 MOBILE SUPPORT SHT S-0104	3
0909092258	600 MOBILE SUPPORT BT S-0104	4
0909091330	HIDRAULIC CIR SHT 800/900-4 S-1199	5
0501049304	DRIVE SHAFT	6
0511040627	1.7" X 3" X 26" X 16" HYDRAULIC CYLINDER	7
0511040310	1.7" X 3" X 32" X 22" HYDRAULIC CYLINDER	8
0909092262	PCA 600 VTR BL 700 BT SC S-0103	9
0909090285	GSA 600	10
0501047447	HYDRAULIC CYLINDER	11
0909091331	LDA 2400 ASSY PCA 600	12
0909091332	PAC 600 COMPL 1700 PERF ALTO S-498	13
0909091333	EAG 600 COMPL 9 DENTES S-0597	14
0501048740	SAE COMPLETE FOR PCA 600/800/1100	15
0501048741	SAB COMPLETE FOR PCA 600/800/1100	16



Item	Code	Description	See page	QT
01	0502012382	RIGHT MOBILE TOWER		01
02	0502012381	LEFT MOBILE TOWER		01
03	0501068663	MOBILE SUPPORT		01
04	0511019519	1.5" X 1.4" PIVOT SHAFT		02
05	0511019685	FLAT WASHER		06
06	0503010534	3/8 X 2-1/2 COTTERPIN		02
07	0503010002	1800 GREASE FITTING		06
08	0521050762	44,45 X 76,20 X 865 X 555 HYDRAULIC CYLINDER		02
09	0521010904	1.5" X 1.4" PIVOT SHAFT		02
10	0511019520	1.5" X 1.4" PIVOT SHAFT		02
11	0501068621	INNER OIL TUBE		01
12	0501068622	OUTER OIL TUBE		01
13	0501068615	OIL TUBE ASSY		01
14	0531011180	UPPER BODY CLIP		03
15	0503011102	PARAFUSO 7/16 UNC X 1.1/4 C S G.5		03
16	0503010180	7/16" SPRING WASHER		03
17	0503012555	7/16" X 2" BOLT		03
18	0501080688	3/8" X 25" TC-TC 90G HOSE		02
19	0503011968	T ADAPTOR WITH GIRAT		02
20	0511019876	1/2" NIPPLE		04
21	0501053835	FEMALE QUICK COUPLER		02
22	0501053834	MALE QUICK COUPLING AGRICULTURAL WITH COVER - 1/2 NPT		02
23	0501080599	3/8 X 650 TC-TR HOSE		02
24	0501080637	3/4" X 2800 TR-TC HOSE		01
25	0501080709	3/8" X 21.6" TR-TR HOSE		01
26	0511057887	HYDRAULIC CYLINDER		01
27	0511019521	1.5" X 1.4" PIVOT SHAFT		02
28	0501068598	JOINT SUPPORT		01
29	0501069447	1.5" X 1.4" PIVOT SHAFT		02
30	0511047849	LDA 2200 WITHOUT SUPPORT		01
30A	0511064165	BLADE FRONT		01



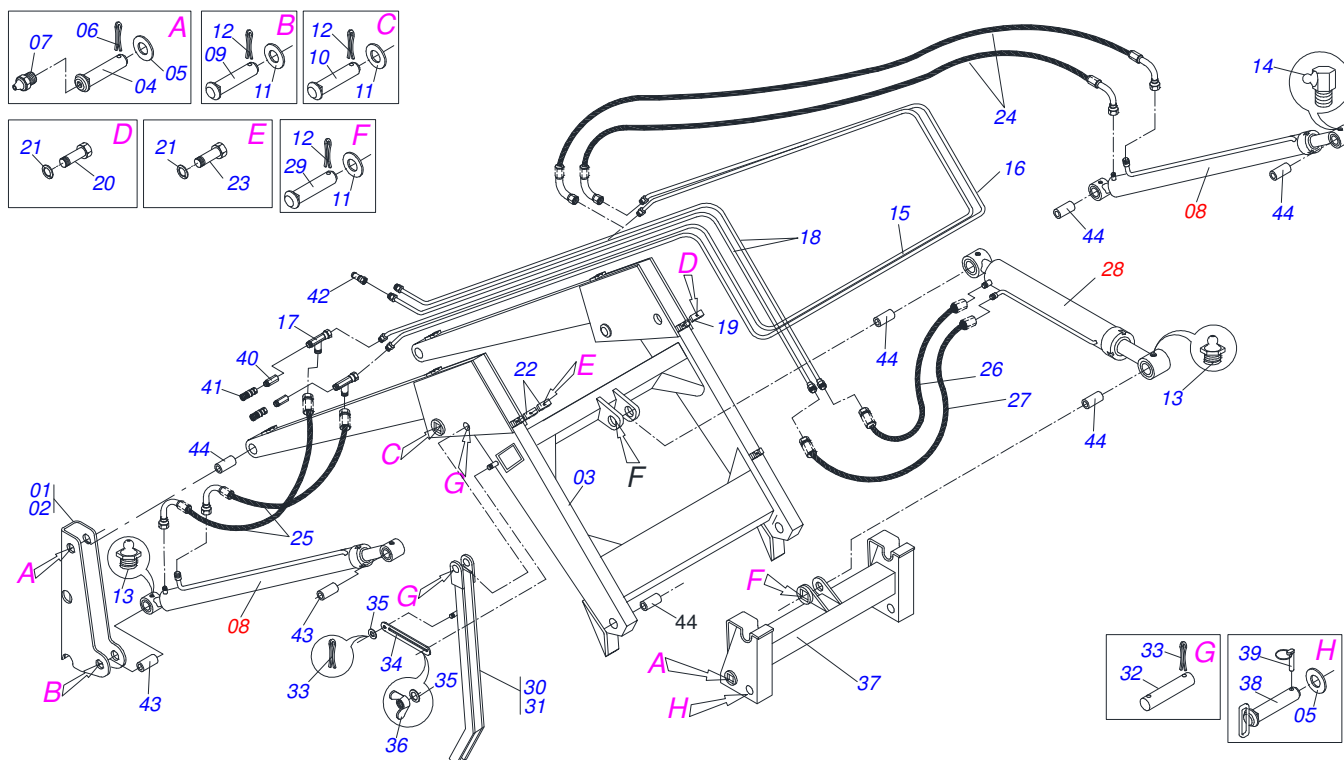
Item	Code	Description	See page	QT
30B	0531019518	SCRAPER 2220 X 6 X 1/2		01
30C	0501012239	5/8" X 1.3/4" BOLT		07
30D	0571010265	FLAT WASHER		07
30E	0503011445	SPRING WASHER		07
30F	0503010013	5/8" NUT		07
31	0561016401	PLOUGH SUPPORT BODY		02
32	0561016619	COMPLEMENTON REST		02
33	0511013598	3/4" X 4.7" COUPLING SHAFT		02
34	0503010071	3/16" X 1" COTTERPIN		08
35	0511019634	CONTROL LOCK		02
36	0511017302	FLAT WASHER		06
37	0561016329	LATCH HOLDER REST PCA		02
38	0503030430	7/16 X 2" PIN LOCK		02
39	0502010477	UPPER CLIP		06
40	0521062856	INTERNAL LOWER OIL DISTRIBUTOR		01
41	0511064780	SHOE SLIDE LIGHT STABILIZING		02
42	0501018246	3/4" X 3" BOLT		02
43	0503014378	1/2" X 1-1/2" BOLT		02
44	0503010060	1/2" NUT		14
45	0521012823	COUPLING SHAFT		02
46	0521010514	38,1 X 52,9 X 50 SLEEVE INTER		06
47	0511019740	INTERNAL GLOVE 37.70 X 45.15 X 70		04



Item	Code	Description	See page
01	0501068600	MOBILE TOWER, RIGHT	01
02	0501068601	MOBILE TOWER, LEFT	01
03	0501068663	MOBILE SUPPORT	01
04	0511019519	1.5" X 1.4" PIVOT SHAFT	04
05	0511019685	FLAT WASHER	02
06	0503010534	3/8 X 2-1/2 COTTERPIN	02
07	0503010002	1800 GREASE FITTING	02
08	0511040310	1.7" X 3" X 32" X 22" HYDRAULIC CYLINDER	8 02
09	0521010904	1.5" X 1.4" PIVOT SHAFT	02
10	0511019520	1.5" X 1.4" PIVOT SHAFT	02
11	0501068621	INNER OIL TUBE	01
12	0501068622	OUTER OIL TUBE	01
13	0511061632	UPPER OIL TUBE	02
14	0531011180	UPPER BODY CLIP	03
15	0501010080	3/8" BOLT	03
16	0503010025	3/8 SPRING WASHER	06
17	0501010096	3/8" X 2" BOLT	03
18	0501080688	3/8" X 25" TC-TC 90G HOSE	02
19	0503011968	T ADAPTOR WITH GIRAT	02
20	0511019876	1/2" NIPPLE	02
21	0501053835	FEMALE QUICK COUPLER	02
22	0501053834	MALE QUICK COUPLER AGRICULTURAL WITH COVER - 1/2 NPT	02
23	0501080599	3/8 X 650 TC-TR HOSE	02
24	0501080635	3/8" X 19" TR-TR HOSE	01
25	0501080709	3/8" X 21.6" TR-TR HOSE	01
26	0511040627	1.7" X 3" X 26" X 16" HYDRAULIC CYLINDER	7 01
27	0511019521	1.5" X 1.4" PIVOT SHAFT	02
28	0501068598	JOINT SUPPORT	01
29	0501069447	1.5" X 1.4" PIVOT SHAFT	02
30	0501047456	2400MM DOZER BLADE ASSY FOR PCA 600	01
30A	0501068592	2400MM DOZER BLADE	01



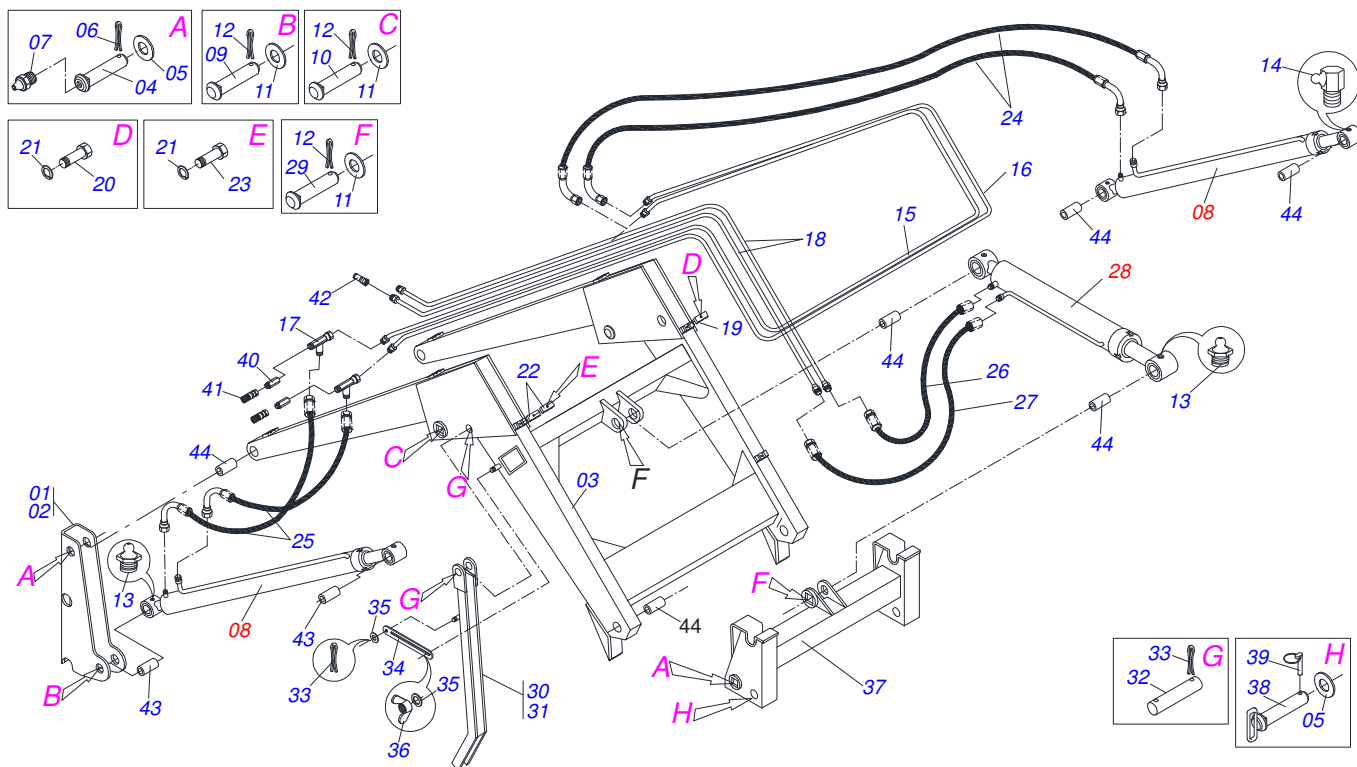
Item	Code	Description	See page
30B	0622360016	94.5" SCRAPER REVERSIBLE	01
30C	0501012240	5/8" X 2-1/2" BOLT	08
30D	0501012140	FLAT WASHER	08
30E	0503011445	SPRING WASHER	08
30F	0503010013	5/8" NUT	08
30G	0501063411	ESTABILIZER BRACKET	02
30H	0501010571	3/4" X 3/4" X 2.2" STUD	04
30I	0501010322	FLAT WASHER	04
30J	0503010335	3/4"NUT	04
31	0501068595	RIGHT PLOUGH SUPPORT	01
32	0501068599	LEFT PLOUGH SUPPORT	01
33	0511013598	3/4" X 4.7" COUPLING SHAFT	02
34	0503010131	3/16" X 1-1/2" COTTERPIN	06
35	0511019634	CONTROL LOCK	02
36	0511017302	FLAT WASHER	06
37	0503010918	BUTTERFLY NUT 1/2 NC	02
38	0503030430	7/16 X 2" PIN LOCK	02
39	0502010477	UPPER CLIP	02



Item	Code	Description	See page	QT
01	0501068600	MOBILE TOWER, RIGHT		01
02	0501068601	MOBILE TOWER, LEFT		01
03	0501068663	MOBILE SUPPORT		01
04	0511019519	1.5" X 1.4" PIVOT SHAFT		04
05	0511019685	FLAT WASHER		04
06	0503010534	3/8 X 2-1/2 COTTERPIN		04
07	0503010002	1800 GREASE FITTING		04
08	0511040310	1.7" X 3" X 32" X 22" HYDRAULIC CYLINDER	8	02
09	0511019520	1.5" X 1.4" PIVOT SHAFT		02
10	0521010904	1.5" X 1.4" PIVOT SHAFT		02
11	0511019685	FLAT WASHER		08
12	0503010534	3/8 X 2-1/2 COTTERPIN		08
13	0503010002	1800 GREASE FITTING		04
14	0503010003	1845 GREASE FITTING		02
15	0501068621	INNER OIL TUBE		01
16	0501068622	OUTER OIL TUBE		01
17	0503011968	T ADAPTOR WITH GIRAT		02
18	0511061632	UPPER OIL TUBE		02
19	0531011180	UPPER BODY CLIP		03
20	0503010237	3/8" X 1" BOLT		03
21	0503010025	3/8 SPRING WASHER		06
22	0502010477	UPPER CLIP		06
23	0501010096	3/8" X 2" BOLT		03
24	0501080688	3/8" X 25" TC-TC 90G HOSE		02
25	0501080599	3/8 X 650 TC-TR HOSE		02
26	0501080635	3/8" X 19" TR-TR HOSE		01
27	0501080709	3/8" X 21.6" TR-TR HOSE		01
28	0511040627	1.7" X 3" X 26" X 16" HYDRAULIC CYLINDER	7	01
29	0511019521	1.5" X 1.4" PIVOT SHAFT		02
30	0501068595	RIGHT PLOUGH SUPPORT		01
31	0501068599	LEFT PLOUGH SUPPORT		01



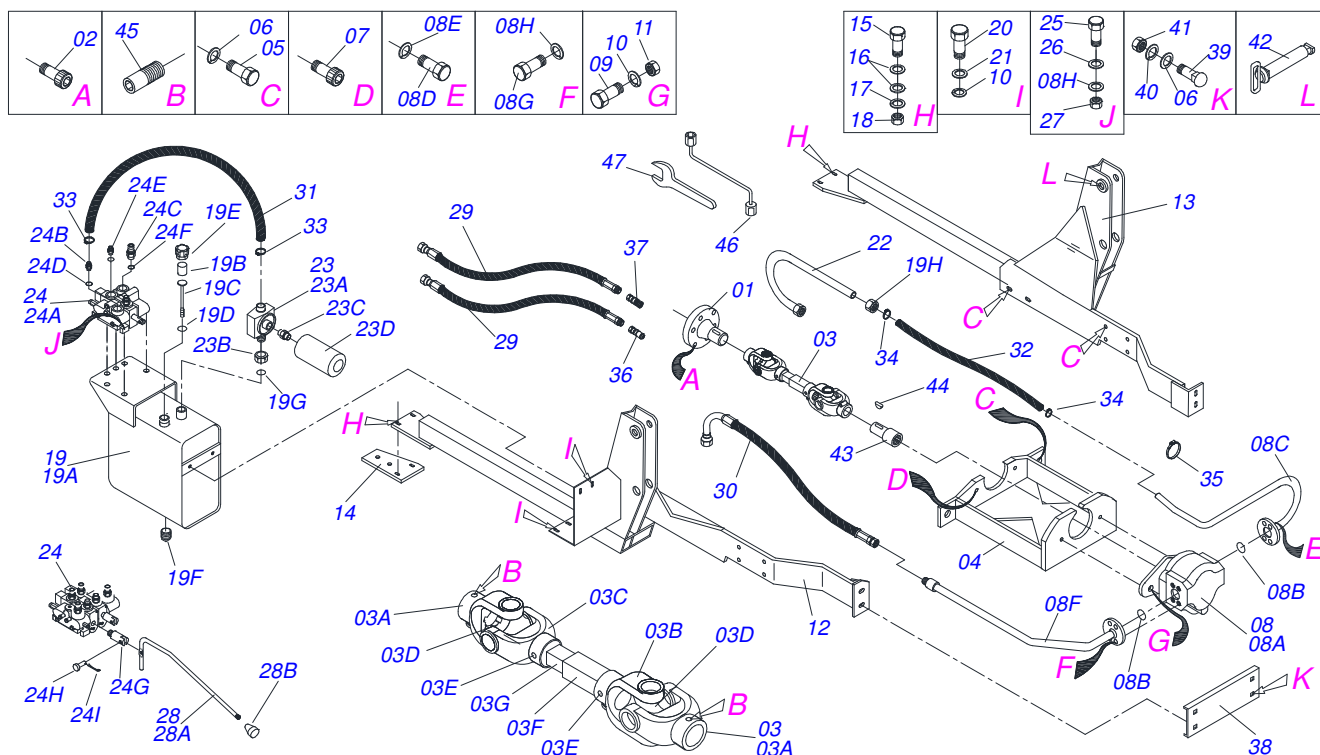
Item	Code	Description	See page	QT
32	0511013598	3/4" X 4.7" COUPLING SHAFT		02
33	0503010131	3/16" X 1-1/2" COTTERPIN		06
34	0511019634	CONTROL LOCK		02
35	0511017302	FLAT WASHER		06
36	0503010918	BUTTERFLY NUT 1/2 NC		02
37	0501068598	JOINT SUPPORT		01
38	0501069447	1.5" X 1.4" PIVOT SHAFT		02
39	0503030430	7/16 X 2" PIN LOCK		02
40	0511019876	1/2" NIPPLE		02
41	0501053835	FEMALE QUICK COUPLER		02
42	0501053834	MALE QUICK COUPLING AGRICULTURAL WITH COVER - 1/2 NPT		02
43	0521010514	38,1 X 52,9 X 50 SLEEVE INTER		06
44	0511019740	INTERNAL GLOVE 37.70 X 45.15 X 70		04



Item	Code	Description	See page	QT
01	0501068600	MOBILE TOWER, RIGHT		01
02	0501068601	MOBILE TOWER, LEFT		01
03	0501068663	MOBILE SUPPORT		01
04	0511019519	1.5" X 1.4" PIVOT SHAFT		04
05	0511019685	FLAT WASHER		04
06	0503010534	3/8 X 2-1/2 COTTERPIN		04
07	0503010002	1800 GREASE FITTING		04
08	0511040310	1.7" X 3" X 32" X 22" HYDRAULIC CYLINDER	8	02
09	0521010904	1.5" X 1.4" PIVOT SHAFT		02
10	0511019520	1.5" X 1.4" PIVOT SHAFT		02
11	0511019685	FLAT WASHER		08
12	0503010534	3/8 X 2-1/2 COTTERPIN		08
13	0503010002	1800 GREASE FITTING		04
14	0503010003	1845 GREASE FITTING		02
15	0501068621	INNER OIL TUBE		01
16	0501068622	OUTER OIL TUBE		01
17	0503011968	T ADAPTOR WITH GIRAT		02
18	0501068615	OIL TUBE ASSY		02
19	0531011180	UPPER BODY CLIP		03
20	0503010237	3/8" X 1" BOLT		03
21	0503010025	3/8 SPRING WASHER		06
22	0502010477	UPPER CLIP		06
23	0501010096	3/8" X 2" BOLT		03
24	0501080688	3/8" X 25" TC-TC 90G HOSE		02
25	0501080599	3/8 X 650 TC-TR HOSE		02
26	0501080635	3/8" X 19" TR-TR HOSE		01
27	0501080709	3/8" X 21.6" TR-TR HOSE		01
28	0511040627	1.7" X 3" X 26" X 16" HYDRAULIC CYLINDER	7	01
29	0511019521	1.5" X 1.4" PIVOT SHAFT		02
30	0501068595	RIGHT PLOUGH SUPPORT		01
31	0501068599	LEFT PLOUGH SUPPORT		01



Item	Code	Description	See page	QT
32	0511013598	3/4" X 4.7" COUPLING SHAFT		02
33	0503010131	3/16" X 1-1/2" COTTERPIN		06
34	0511019634	CONTROL LOCK		02
35	0511017302	FLAT WASHER		06
36	0503010918	BUTTERFLY NUT 1/2 NC		02
37	0501068598	JOINT SUPPORT		01
38	0501069447	1.5" X 1.4" PIVOT SHAFT		02
39	0503030430	7/16 X 2" PIN LOCK		02
40	0511019876	1/2" NIPPLE		02
41	0501053835	FEMALE QUICK COUPLER		02
42	0501053834	MALE QUICK COUPLING AGRICULTURAL WITH COVER - 1/2 NPT		02
43	0521010514	38,1 X 52,9 X 50 SLEEVE INTER		06
44	0511019740	INTERNAL GLOVE 37.70 X 45.15 X 70		04

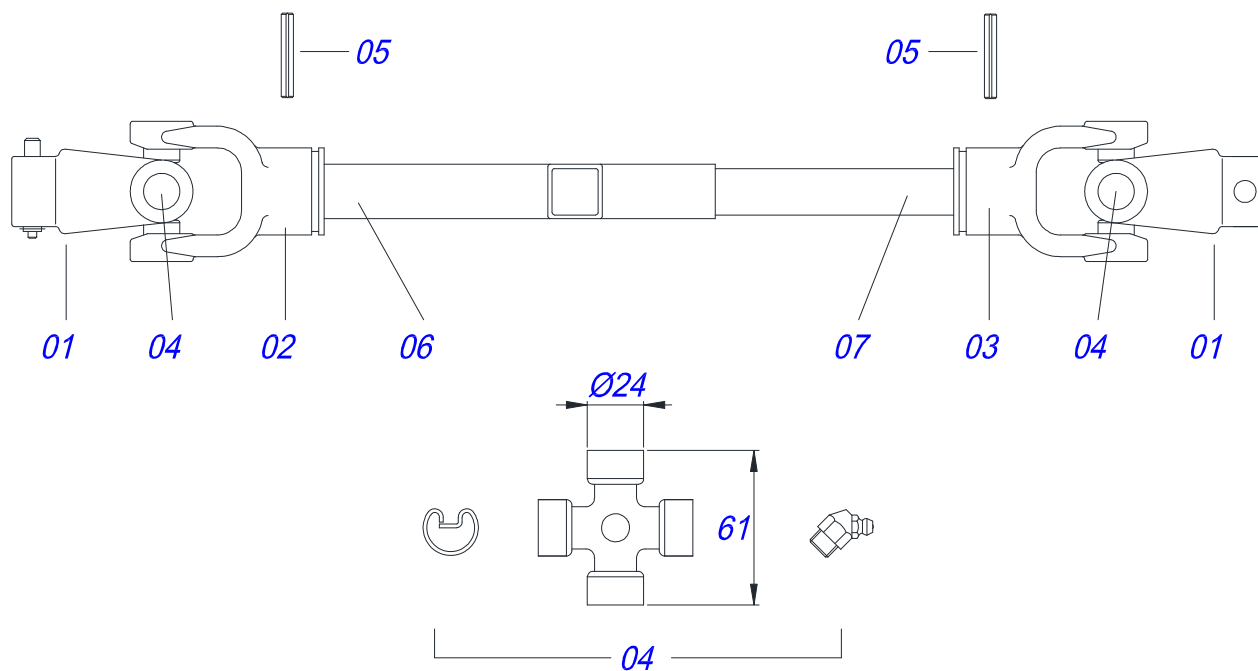


Item	Code	Description	See page
01	0521016647	FLANGE COUPLING	01
02	0503011313	M 8 X 1,25 X 50 BOLT	06
03	0501049304	DRIVE SHAFT	6
03A	0502010886	10-20 TERMINAL	02
03B	0502010559	2-20 TERMINAL	01
03C	0502010562	3-20 TERMINAL	01
03D	0503010835	CARDAN CROSSPIECE	02
03E	0503010839	03"X 0.6" SPRING PIN	02
03F	0521016649	0.9" X 1.1" X 4.7" SLEEVE	01
03G	0521016648	0.8" X 6.3" SQUARE SHAFT	01
04	0511061456	PUMP SUPPORT	01
05	0503011188	M16 X 2 X 50 BOLT	16
06	0503010027	SPRING WASHER	16
07	0503010728	M10 X 1.2" BOLT	02
08	0501052059	40L PUMP WITH TUBE	01
08A	0503060153	40L 1/2" PUMP	01
08B	0503010173	2-220 N 3006-9B O'RING	02
08C	0511062361	PUMP SUCTION TUBE	01
08D	0503010355	7/16" X 1" BOLT	04
08E	0503010180	7/16" SPRING WASHER	04
08F	0501067702	PUMP PRESSURE TUBE	01
08G	0503010237	3/8" X 1" BOLT	04
08H	0503010025	3/8 SPRING WASHER	07
09	0503011082	C1/2" X 1.3/4" BOLT	02
10	0503010019	1/2" SPRING WASHER	06
11	0503010060	1/2" NUT	02
12	0511061454	RIGHT FRAME	01
13	0511061453	LEFT FRAME	01
14	0521013656	BRACKET FIXER LEFT/RIGHT	02
15	0501010500	3/4"X3"BOLT	04
16	0501010322	FLAT WASHER	08

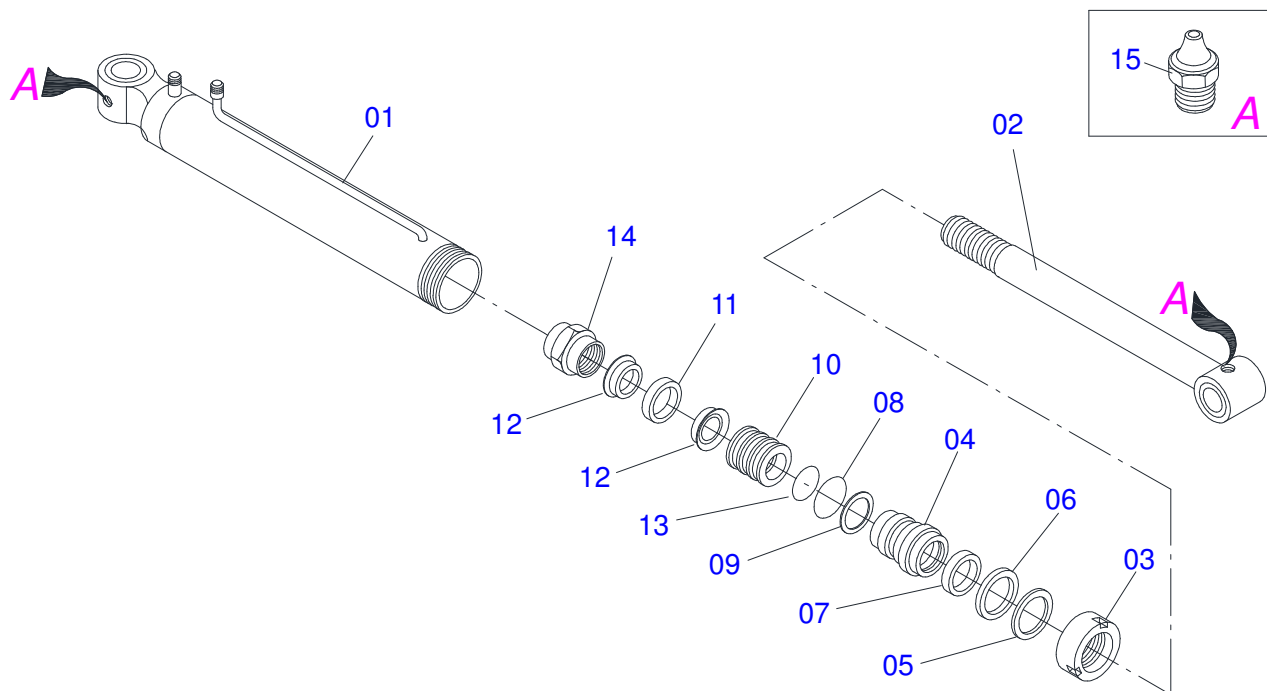


Item	Code	Description	See page
17	0503010023	SPRING WASHER	04
18	0503010014	3/4" NUT	04
19	0501047808	OIL RESERVOIR ASSY	01
19A	0501068882	OIL RESERVOIR	01
19B	0503030044	FILTERING ELEMENT	01
19C	0501060975	OIL GAGE	01
19D	0503010185	2-221 N 3006-9B O'RING	01
19E	0502020472	FRONTAL COVER	01
19F	0503031604	1/2" BSP PLUG	01
19G	0503010046	2-216 N 3006-9B O'RING	01
19H	0501016309	2" 1X 2.5/16" NUT	01
20	0501010161	1/2" X 1.1/4" BOLT	04
21	0511017302	FLAT WASHER	04
22	0501063383	TANK OUTER TUBE	01
23	0501041108	RETURNING FILTER ASSY	01
23A	0502050002	RETURNING FILTER HEAD	01
23B	0501010594	1" NUT	01
23C	0501010595	1" NF NIPPLE	01
23D	0503010183	RETURNING FILTER	01
24	0501048916	1/2" DOUBLE COMMAND ASSY	01
24A	0503060081	1/2" DOUBLE COMMAND	01
24B	0501010591	HOSE NIPPLE	01
24C	0501010589	R. 1.1/16UN SEXT 1.1/4 X 52 NIPPLE	01
24D	0503010602	2-211 N 3006-9B O'RING	02
24E	0511010111	7/8" NIPPLE	04
24F	0503010045	2-116 N 3006-9B O'RING	04
24G	0503030347	UPPER LEVER ASSY (SAUER DANFOSS)	02
24H	0521010533	0.3" X 1" COUPLING SHAFT	02
24I	0503010140	1/8" X 3/4" COTTERPIN	02
25	0503010849	3/8" X 1-1/2" BOLT	03
26	0501010984	FLAT WASHER	03
27	0503010026	3/8" NUT	03
28	0501047852	COMPLETE CONTROLLER	02
28A	0501069069	CONTROL VALVE (V 985-4/AX 4.75)	02
28B	0503030878	LEVER CRANK	02
29	0501080242	3/8" X 47" TR-TM HOSE	04
30	0501080705	3/4" X 118" TR-TC HOSE	01
31	0501013822	1" X 25.6" AB-AB HOSE	01
32	0501011012	1-1/4" X 65" AB-AB HOSE	01
33	0503010184	CLAMP	02
34	0503010243	CLAMP	02
35	0503010246	CLAMP	02
36	0501053834	MALE QUICK COUPLING AGRICULTURAL WITH COVER - 1/2 NPT	02
37	0501053835	FEMALE QUICK COUPLER	02
38	0521016679	FRONT PROTECTOR PUMP	01
39	0503012407	5/8" X 1-1/2" BOLT	04
40	0501012140	FLAT WASHER	10
41	0503010013	5/8" NUT	04
42	0511061385	1.5" X 6.6" COUPLING SHAFT	02
43	0511062516	3.1" X 1-1/8" AXLE	01
44	0503031031	1/4" KEYWAY SQUARE	02
45	0503011148	3/8" X 1/2" BOLT	02
46	0501068213	5/8" WRENCH DOUBLE	01
47	0511010153	2-5/16" FIXED WRENCH	01

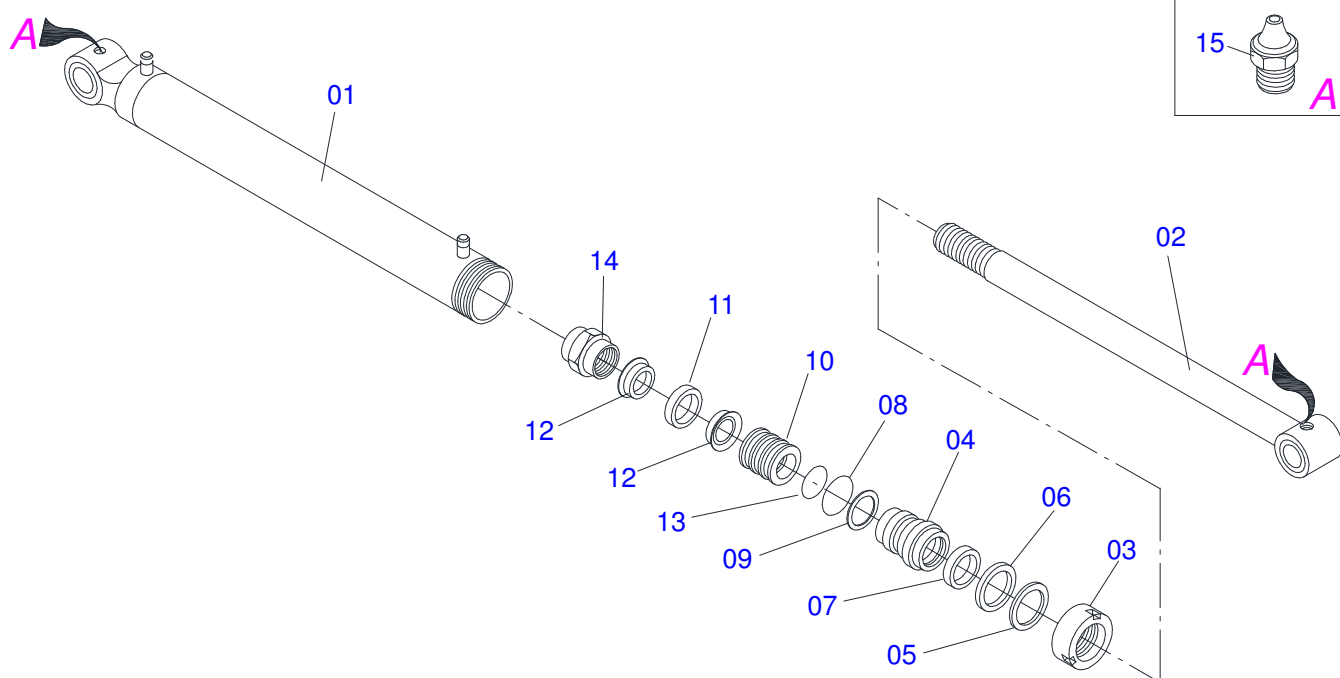
DRIVE SHAFT



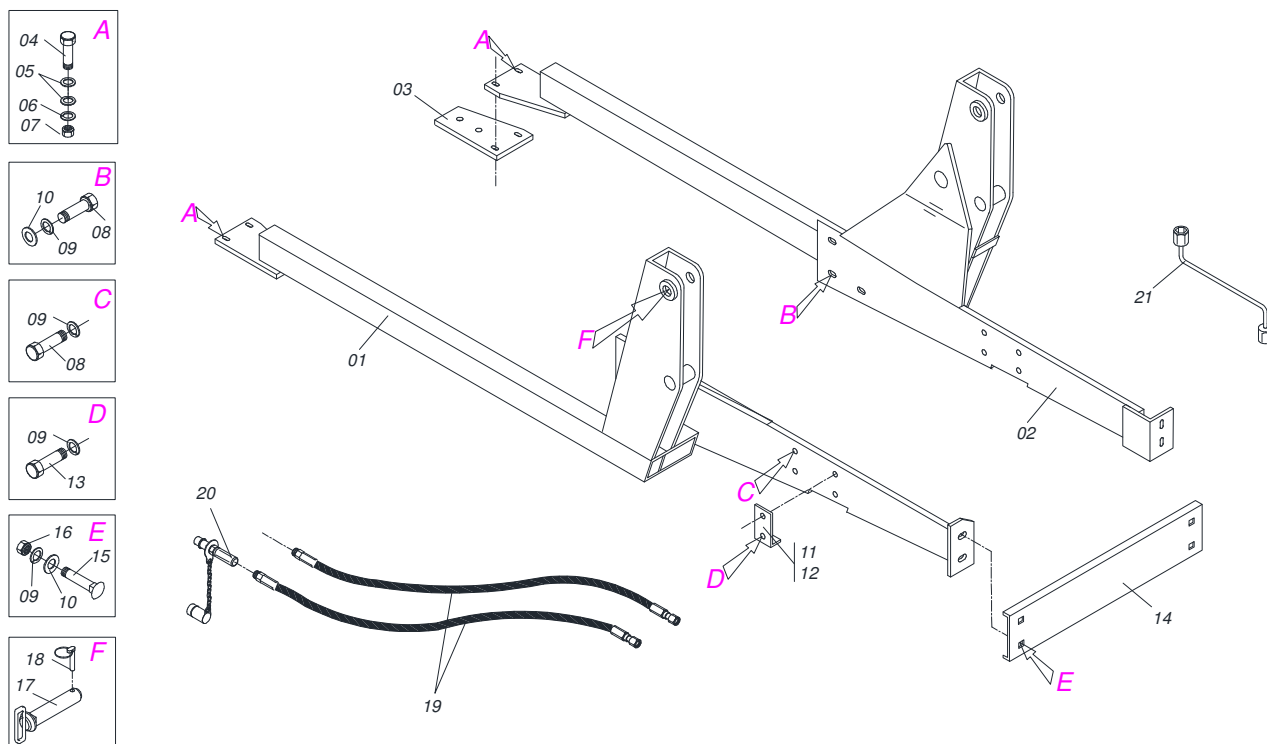
Item	Code	Description	See page
00	0501049304	DRIVE SHAFT	6
01	0502010886	10-20 TERMINAL	02
02	0502010559	2-20 TERMINAL	01
03	0502010562	3-20 TERMINAL	01
04	0503010835	CARDAN CROSSPICE	02
05	0503010839	03"X 0.6" SPRING PIN	02
06	0521016649	0.9" X 1.1" X 4.7" SLEEVE	01
07	0521016648	0.8" X 6.3" SQUARE SHAFT	01



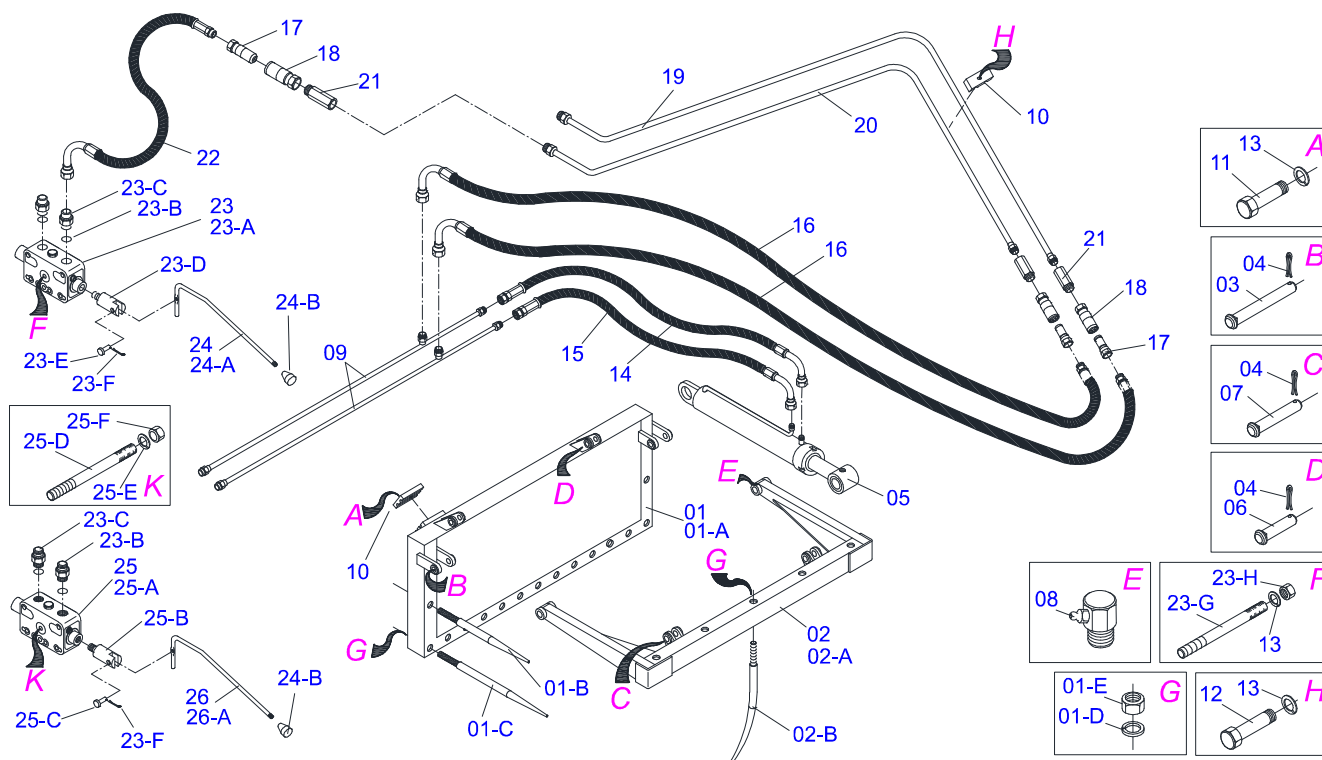
Item	Code	Description	See page	QT
01	0511063212	3" X 23" CYLINDER CASE		01
02	0501068711	1.7" X 22" TURNBUCLE		01
03	0502011899	MOBILE COVER		01
04	0502011897	RING SUPPORT		01
05	0503010761	D-1750 SCRAPER RING		01
06	0503010990	GASKET		01
07	0503010949	W2-2000-500 PK RING G.E		01
08	0503010343	2-334 N 3006-9B O'RING		01
09	0503011059	8-334 BACK-UP RING		01
10	0502011898	1.8" X 3.0" PISTON		01
11	0503010992	W2-3000-500 PK RING G.E		01
12	0503012768	3750-2250 GASKET		02
13	0503010042	2-214 N 3006-9B O'RING		01
14	0503010063	1" SELF-ALIGNING NUT		01
15	0503010002	1800 GREASE FITTING		02
16	0503030387	PLUG		02



Item	Code	Description	See page	QT
01	0511061482	3" X 26" CYLINDER CASE		01
02	0511062096	1.7" X 0.3" TURNBUCLE		01
03	0502011899	MOBILE COVER		01
04	0502011897	RING SUPPORT		01
05	0503010761	D-1750 SCRAPER RING		01
06	0503010990	GASKET		01
07	0503010949	W2-2000-500 PK RING G.E		01
08	0503010343	2-334 N 3006-9B O'RING		01
09	0503011059	8-334 BACK-UP RING		01
10	0502011898	1.8" X 3.0" PISTON		01
11	0503010992	W2-3000-500 PK RING G.E		01
12	0503012768	3750-2250 GASKET		02
13	0503010345	2-218 N 3006-9B O'RING		01
14	0503010063	1" SELF-ALIGNING NUT		01
15	0503010002	1800 GREASE FITTING		02
16	0501033655	HYDRAULIC CYLINDER REPAIR KIT		



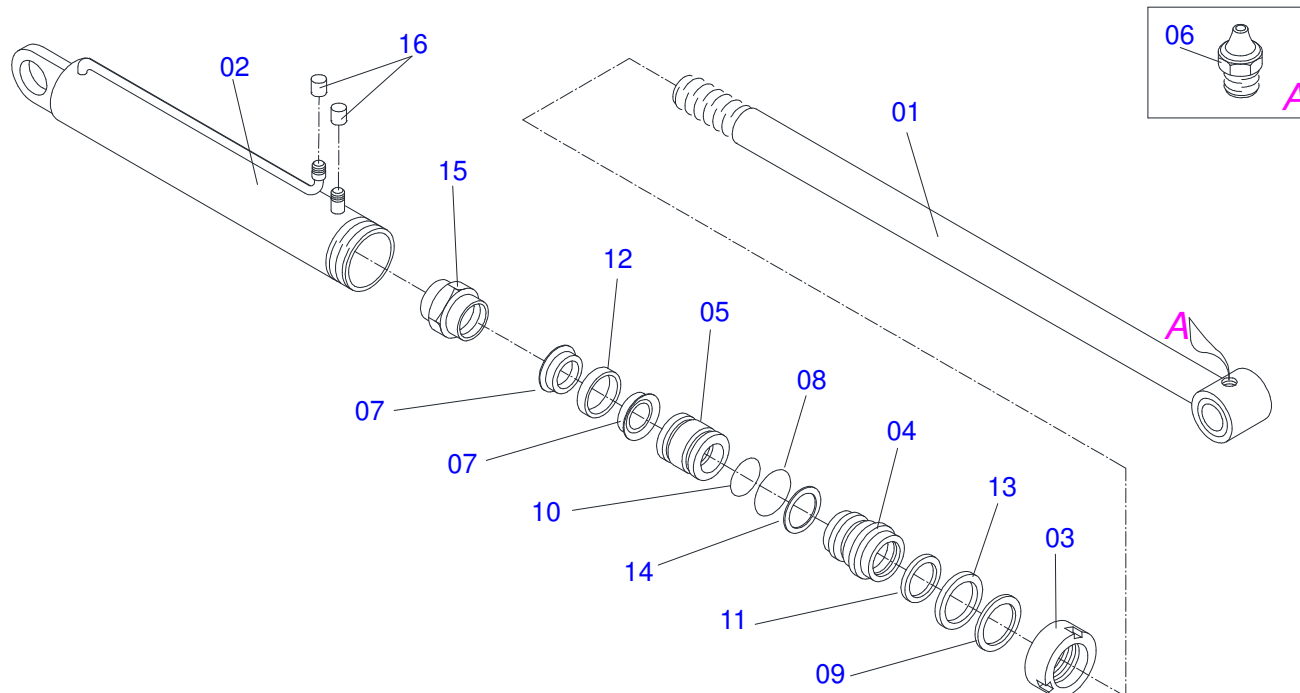
Item	Code	Description	See page	QT
01	0511065164	RH FRAME		01
02	0511065166	LEFT FRAME		01
03	0521013656	BRACKET FIXER LEFT/RIGHT		02
04	0501010500	3/4"X3"BOLT		04
05	0501010322	FLAT WASHER		04
06	0503010023	SPRING WASHER		04
07	0503010014	3/4" NUT		04
08	0503011188	M16 X 2 X 50 BOLT		10
09	0503010027	SPRING WASHER		14
10	0501012140	FLAT WASHER		10
11	0541011009	RIGHT BEATER		01
12	0541011010	LEFT BEATER		01
13	0503011730	M16 X 2 X 60 BOLT		04
14	0541011011	FRONT PROTECTOR PUMP		01
15	0503012407	5/8" X 1-1/2" BOLT		04
16	0503010013	5/8" NUT		04
17	0511064616	1.5" X 6.9" COUPLING SHAFT		02
18	0503030430	7/16 X 2" PIN LOCK		02
19	0501080528	3/8 X 3700 TR-TM HOSE		04
20	0501053834	MALE QUICK COUPLING AGRICULTURAL WITH COVER - 1/2 NPT		04
21	0501068213	5/8" WRENCH DOUBLE		01



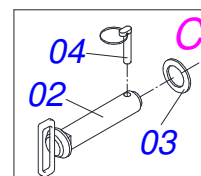
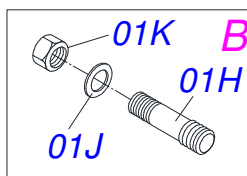
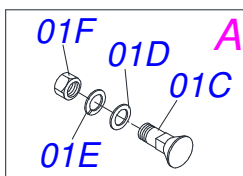
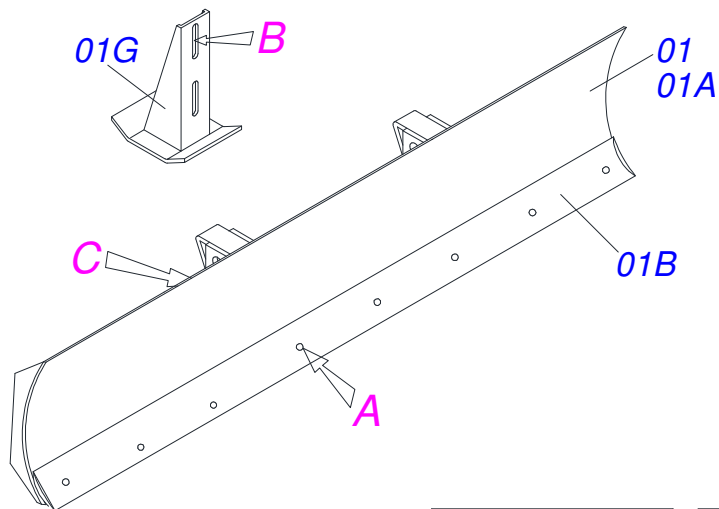
Item	Code	Description	See page
00	0501047458	1/2" CONTROL VALVE ASSY FOR GSA 600	01
00A	0511040471	3/8" CONTROL VALVE ASSY FOR GSA 600	01
01	0501051502	FIXED FRAME WITH TEETH	01
01A	0501068609	FIXED FRAME	01
01B	0511019542	1-1/2" X 26" STRAIGHT TEETH	02
01C	0511019543	1-1/2" X 30" STRAIGHT TEETH	13
01D	0503010012	1" SPRING WASHER	20
01E	0503010340	1" NUT	20
02	0501051503	MOBILE FRAME WITH TEETH	01
02A	0501068610	MOBILE FRAME	01
02B	0511019544	1-1/2" X 26" BENT TOOTH	05
03	0511019623	0.9" X 5.4" COUPLING SHAFT	02
04	0503010571	1/4" X 1.1/2 COTTERPIN	06
05	0501047447	HYDRAULIC CYLINDER	11 02
06	0511019621	0.9" X 2.8" COUPLING SHAFT	02
07	0511019622	0.9" X 4.0" COUPLING SHAFT	02
08	0503010004	1890 GREASE FITTING	02
09	0501068686	OIL TUBE	02
10	0502010477	UPPER CLIP	05
11	0503010751	C3/8" X 1.1/4" HEX BOLT G.5	02
12	0501010096	3/8" X 2" BOLT	03
13	0503010025	3/8 SPRING WASHER	13
14	0501080599	3/8 X 650 TC-TR HOSE	02
15	0501080328	3/8" X 29" TR-TC HOSE	02
16	0501080597	3/8" X 43" TC-TM HOSE	02
17	0501053834	MALE QUICK COUPLING AGRICULTURAL WITH COVER - 1/2 NPT	04
18	0501053835	FEMALE QUICK COUPLER	04
19	0511061634	LEFT OIL TUBE	01
20	0511061635	RIGHT OIL TUBE	01
21	0511019876	1/2" NIPPLE	04
22	0501080473	3/8" X 120" TC-TM HOSE	02



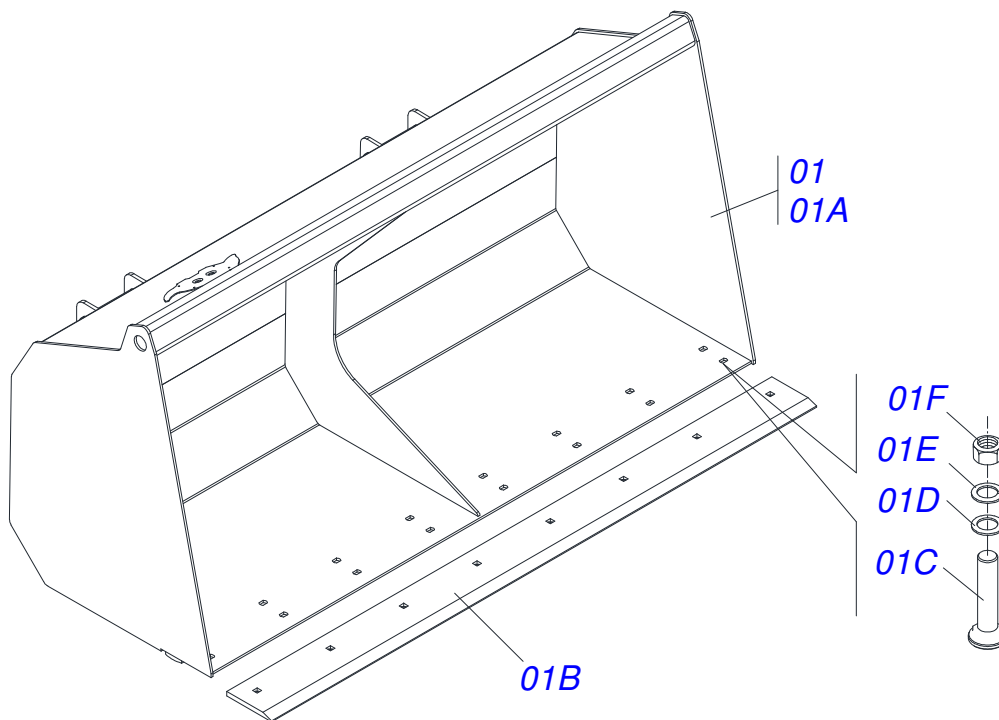
Item	Code	Description	See page
23	0501053055	1/2" CENTER BODY WITH 3/8" NIPPLES	01
23A	0503010423	1/2" CENTER BODY	01
23B	0503010045	2-116 N 3006-9B O'RING	02
23C	0511010111	7/8" NIPPLE	02
23D	0503030265	UPPER LEVER (PARKER 1/2")	01
23E	0521010533	0.3" X 1" COUPLING SHAFT	01
23F	0503010140	1/8" X 3/4" COTTERPIN	01
23G	0501016988	3/8" X 3/8" X 10.6" STUD	04
23H	0503010026	3/8" NUT	08
24	0501047446	CONTROL VALVE (P/COM 1/2 PCA)	01
24A	0501068681	1/2" CONTROL VALVE	01
24B	0503030878	LEVER CRANK	01
25	0501053585	3/8" CENTER BODY WITH NIPPLES	01
25A	0503010504	3/8" CENTER BODY	01
25B	0503011050	LOWER LEVER	01
25C	0521010532	0.3" X 0.9" COUPLING SHAFT	01
25D	0521014825	5/16 UNC X 5/16 UNC X 200 PRISONER	03
25E	0503010179	SPRING WASHER	06
25F	0503010337	5/16" NUT	06
26	0511040480	CONTROL VALVE	01
26A	0511064635	CONTROL VALVE (PCA)	01
26B	0503030878	LEVER CRANK	01



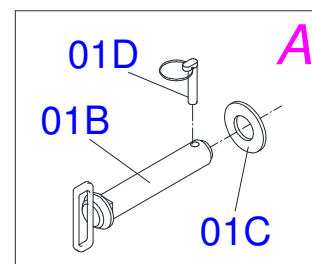
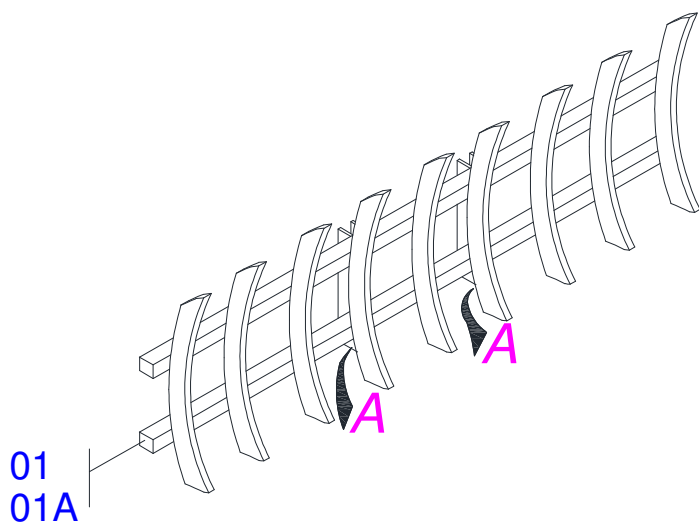
Item	Code	Description	See page	QT
01	0501068721	1.5" X 14.1" TURNBUCLE		01
02	0501068722	63,50 X 328 CYLINDER CASE		01
03	0502010471	MOBILE COVER		01
04	0502010780	RING SUPPORT		01
05	0502010783	1.5" X 2.5" PISTON		01
06	0503010002	1800 GREASE FITTING		01
07	0503010160	2500 2000 GASKET		02
08	0503010161	2-330 N 3006 9B O'RING		01
09	0503010163	D-1500 SCRAPER RING		01
10	0503010285	2-222 N 3006-9B O'RING		01
11	0503010970	W1-1650-500 PK O'RING G.E		01
12	0503010973	W2-2500-500 PK O'RING G.E		01
13	0503010989	1870-1500-375-B GASKET		01
14	0503011058	8-330 BACK-UP RING		01
15	0503011980	1" UNF LOCKNUT		01
16	0503030385	CYLINDER PLUG N-002		02



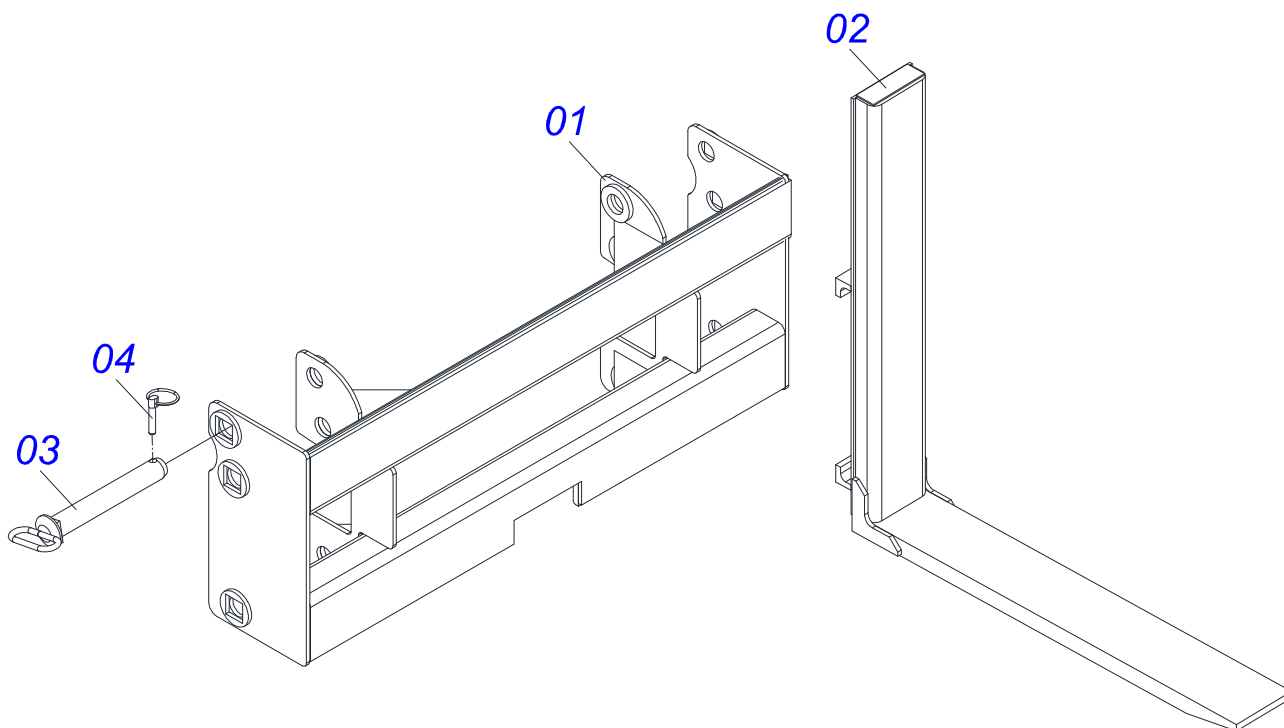
Item	Code	Description	See page
01	0501047456	2400MM DOZER BLADE ASSY FOR PCA 600	01
01A	0501068592	2400MM DOZER BLADE	01
01B	0622360016	94.5" SCRAPER REVERSIBLE	01
01C	0501012240	5/8" X 2-1/2" BOLT	08
01D	0501012140	FLAT WASHER	08
01E	0503011445	SPRING WASHER	08
01F	0503010013	5/8" NUT	08
01G	0501063411	ESTABILIZER BRACKET	02
01H	0501010571	3/4" X 3/4" X 2.2" STUD	04
01I	0501010322	FLAT WASHER	04
01J	0503010023	SPRING WASHER	04
01K	0503010335	3/4"NUT	04
02	0501069447	1.5" X 1.4" PIVOT SHAFT	02
03	0511019685	FLAT WASHER	02
04	0503030430	7/16 X 2" PIN LOCK	02



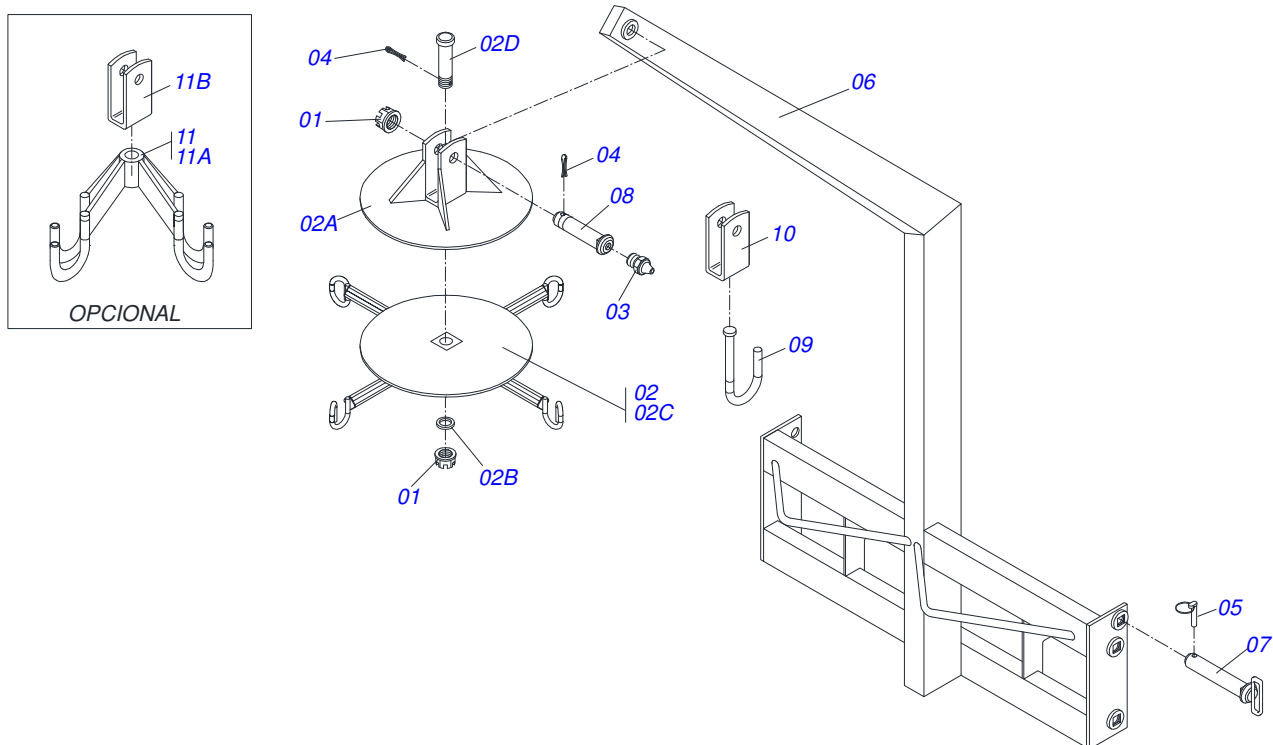
Item	Code	Description	See page
01	0501047459	PAC 600 WITH BUCKET 1700MM HIGH PRO	01
01A	0501068594	66.9" BUCKET WITH HIGH PROFILE	01
01B	0622360007	67.0" SCRAPER BUCKET	01
01C	0501010078	1/2" X 1-1/2" BOLT	08
01D	0511017302	FLAT WASHER	08
01E	0503010019	1/2" SPRING WASHER	08
01F	0503010020	1/2"NUT	08



Item	Code	Description	See page
01	0501047457	EAG 600 9 TEETH ASSY	01
01A	0501068593	2400 ROOT RAKER	01
01B	0501069447	1.5" X 1.4" PIVOT SHAFT	04
01C	0511019685	FLAT WASHER	04
01D	0503030430	7/16 X 2" PIN LOCK	04



Item	Code	Description	See page
01	0511060430	CHARGING BAR SUPPORT	01
02	0511060429	CHARGING BAR	02
03	0511060428	DRAWBOLT	04
04	0503030430	7/16 X 2" PIN LOCK	04



Item	Code	Description	See page
01	0501011301	1.1/2 UNC 6FPP 2.5/16 NUT	02
02	0501043072	CROSSPIECE ASSY GAT-R	01
02A	0511068703	U COUPLING CROSSPIECE	01
02B	0501012916	FLAT WASHER 38,50 X 66 X 4,75 ZN	01
02C	0501064477	CROSSPIECE	01
02D	0521010555	1-1/2" X 5.5" COUPLING SHAFT	01
03	0503010002	1800 GREASE FITTING	01
04	0503010010	1/4" X 2.1/2" COTTERPIN	02
05	0503030430	7/16 X 2" PIN LOCK	04
06	0511060426	CROSSPIECE SUPPORT	01
07	0511060428	DRAWBOLT	04
08	0521012828	1.5" X 6.8" PIVOT SHAFT	01
09	0501064475	1-1/4" HOOK	01
10	0501069722	U HOOK	01
11	0501053565	CROSSPIECE ASSY FOR SAB/PD/PCA	01
11A	0511060427	CROSSPIECE	01
11B	0501069721	U COUPLING FOR CROSSPIECE	01



MARCHESAN IMPLEMENTOS E MÁQUINAS AGRÍCOLAS TATU S.A.

AV. Marchesan, 1979 - Post office box, 131 - CEP 15994-900 - Matão - SP - Brazil

Phone +55 16.3382-8282

(FAX Parts) + 55 16.3382. 8297 - (Export) + 55 16.3382.1003

e.mail: tatu@marchesan.com.br www.marchesan.com.br

Technical Publications: Elaboration

LUIZ CANDIDO

Technical Publications: Revision

JOSÉ DOMINGOS GASPARI

Contact Catálogo:

E-mail = jgaspari@marchesan.com.br

**ORIGINAL PARTS
TATU**

