

PARTS CATALOG

FRONT LOADER

PD JD 6415-4 BT SC

Code: 0501091453



Series: S-0111

Review: SETEMBRO/14

ORIGINAL PARTS
TATU

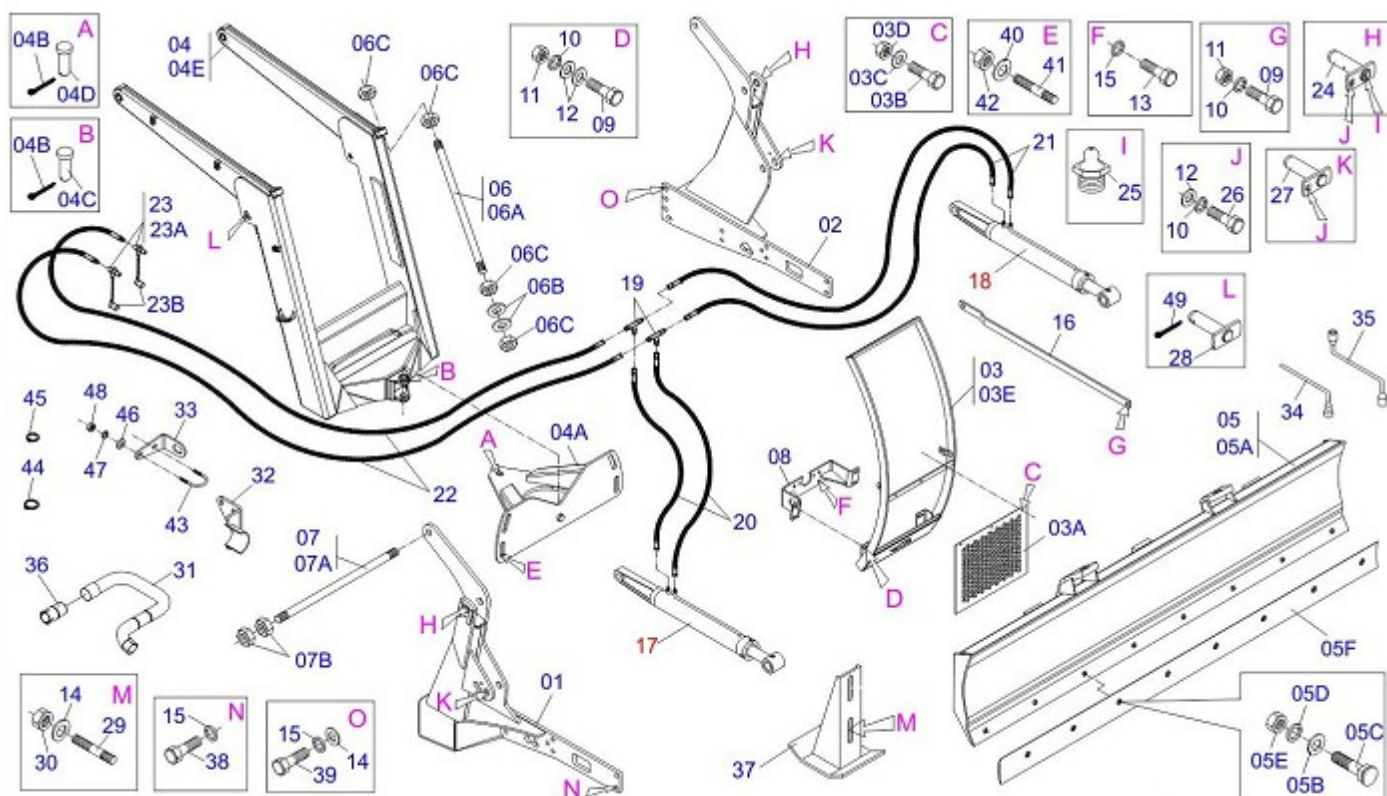


INDEX

0909091730	PD JD 6415-4 BT SC	1
0501044366	44,45 X 85,7 X 955 HYDR CYLINDER	2
0501044367	HYDRAULIC CYLINDER	3

ATTENTION: IMPORTANT

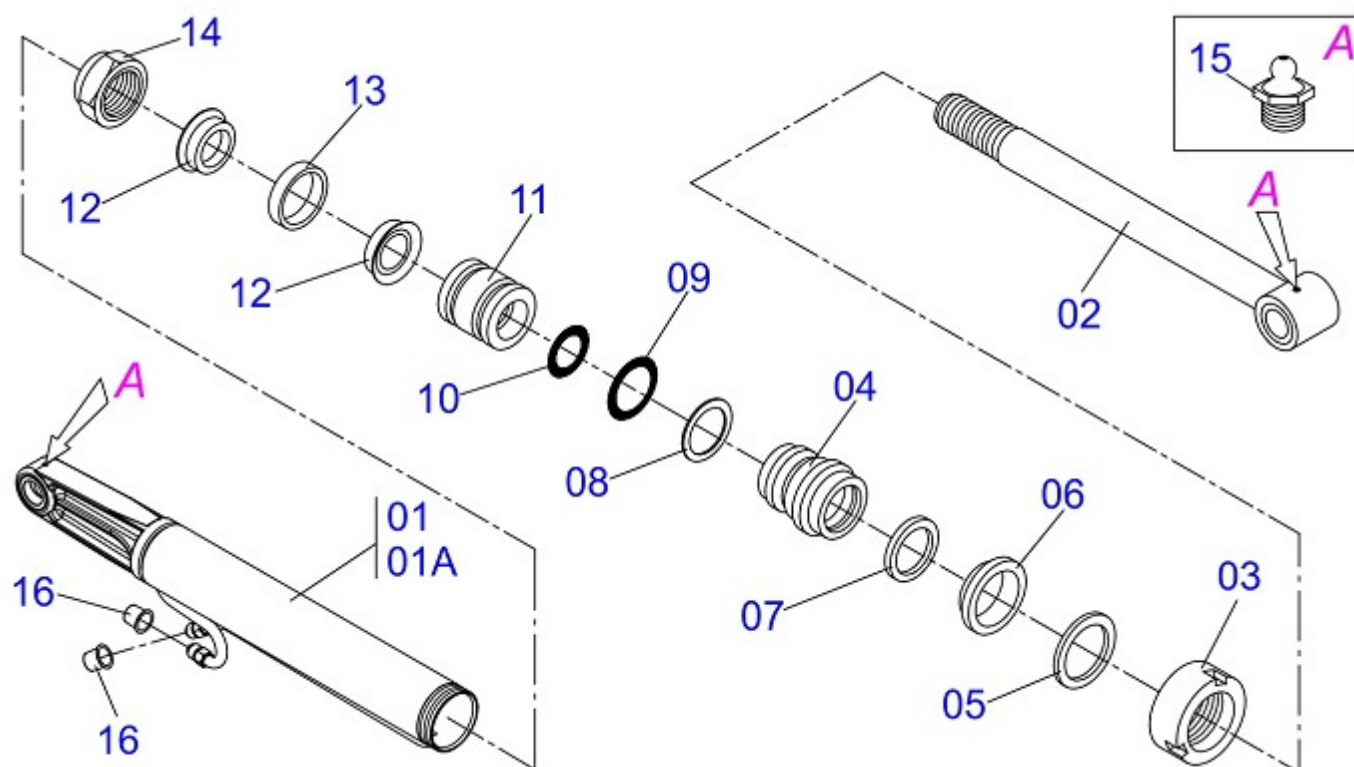
MARCHESAN RESERVES THE RIGHT AT ANY TIME TO MAKE IMPROVEMENTS IN THE DESIGN, MATERIAL OR SPECIFICATIONS OF MACHINERY, EQUIPMENT OR PARTS WITHOUT THEREBY BECOMING LIABLE TO MAKE SIMILAR CHANGES IN MACHINERY, EQUIPMENT OR PARTS PREVIOUSLY SOLD.



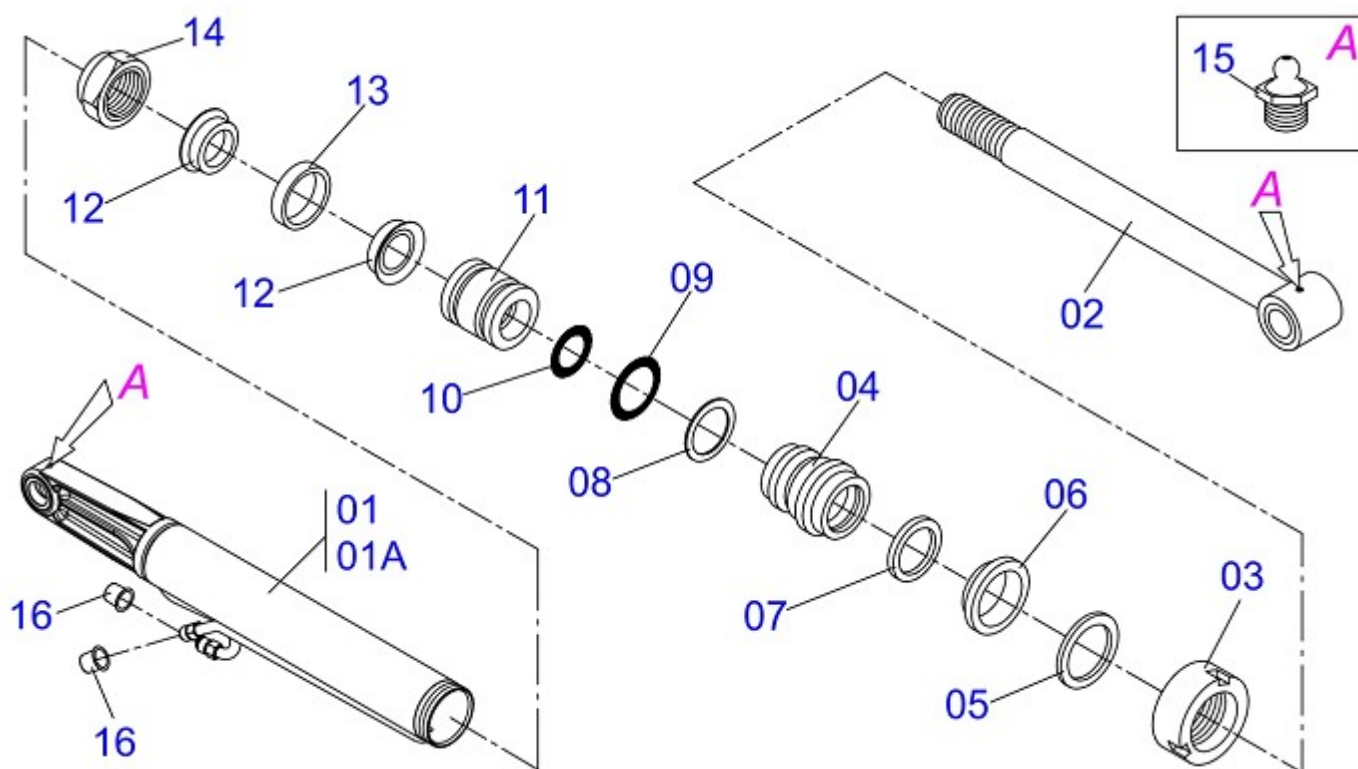
Item	Code	Description	QT
01	0511067195	RIGHT FRAME PD JD 6415-4 BT SC	01
02	0511067197	LEFT FRAME PD JD 6415-4 BT SC	01
03	0511049956	MOBILE SUPPORT GUIDE ASSY	01
03A	0521062696		01
03B	0501017431	FRONT PROTECTION	01
03C	0503010751	3/8" X 1.1/4" HEX BOLT G.5	03
03D	0501010984	FLAT WASHER	03
03E	0503010026	3/8" NUT	03
04	0521040730		01
04A	0501062637	5/8" REGULATOR SUPPORT	01
04B	0503010010	1/4" X 2.1/2" COTTERPIN	02
04C	0521010618	1.4" X 8.6" COUPLING SHAFT	01
04D	0521010612	1.4" X 3.5" COUPLING SHAFT	01
04E	0521062944		01
05	0501047708	2400 BLADE SUPPORT	01
05A	0501067999	2390 BLADE SUPPORT	01
05B	0501012140	FLAT WASHER	08
05C	0501012240	5/8" X 2-1/2" BOLT	08
05D	0503010027	5/8" SPRING WASHER	08
05E	0503010027	5/8" SPRING WASHER	08
05F	0622360016	94.5" SCRAPER REVERSIBLE	01
06	0501041427	1.1/4" NC X 1540 ROD	02
06A	0501014250	1.1/4" X 1540 ROD	02
06B	0502012180	CONICAL SPRING WASHER	04
06C	0501010087	1.1/4" UNC NUT	08
07	0501041849	1.1/4" NC X 910 ROD	01
07A	0501014914	1.1/4" X 910 ROD	01
07B	0501010087	1.1/4" UNC NUT	04
08	0511067204		01
09	0501010100	5/8" X 2" BOLT	06
10	0503010027	5/8" SPRING WASHER	10
11	0503010013	5/8" NUT	06
12	0501012140	FLAT WASHER	12



Item	Code	Description	QT
13	0503013111	M20 X 2.5" BOLT	04
14	0501010322	FLAT WASHER	12
15	0503010023	3/4" SPRING WASHER	22
16	0541019129		01
17	0501044366	44,45 X 85,7 X 955 HYDR CYLINDER	01
18	0501044367	HYDRAULIC CYLINDER	01
19	0501068942	"T" CONNECTION NIPPLES	02
20	0501080195	HOSE 1/2 X 950	02
21	0501080168		02
22	0501080245		02
23	0501053834	QUICK CONECTION (MALE) 1/2NPT	02
23A	0503011627	QUICK CONNECTION (MALE) AGR 1/2 NPT	02
23B	0503011882	QUICK CONNECTION COVER	02
24	0501063751	1.5" X 5.5" PIVOT SHAFT	02
25	0503010002	GREASE FITTING	06
26	0503010962	5/8" X 1-1/4" BOLT	04
27	0501063959	PIVOT SHAFT	02
28	0521063354	COUPLING SHAFT	02
29	0561016756	3/4 UNC X 3/4 UNC X 56 PRISONER	04
30	0503010014	3/4" NUT	12
31	0503032722		01
32	0521062065	FIXER SUPPLEMENT	01
33	0561011047		01
34	0501061617	1" WRENCH CYLINDRICAL HEX	01
35	0501068213	5/8" WRENCH DOUBLE	01
36	0571014730		01
37	0501063411	ESTABILIZER BRACKET	02
38	0503013103	M20 X 3.5" BOLT	10
39	0503013390	3/4" UNC BOLT	08
40	0501010574	FLAT WASHER	04
41	0561016755	PRISONER 1 UNC X 1 UNC X 76 ZN	04
42	0501010059	1" NUT HEX	04
43	0561011121	CLAMP	04
44	0503011266	CLAMP 2.1/4" A 3" 57-76	01
45	0503010246	2" TO 2/1/2" CLAMP	02
46	0501010984	FLAT WASHER	02
47	0503010025	3/8" SPRING WHASHER	02
48	0503010026	3/8" NUT	02
49	0503010534	3/8" X 2-1/2" COTTERPIN	02



Item	Code	Description	QT
01	0501044366	44,45 X 85,7 X 955 HYDR CYLINDER	01
01A	0501069000	85,7" X 483" BODY RIGHT	01
02	0501068012	44,45 X 682 TURNBUCLE	01
03	0503010993		01
04	0502010781	RING SUPPORT	01
05	0503010761	D-1750 SCRAPER RING	01
06	0503010990	GASKET	01
07	0503010949	W2-2000-500 PK RING G.E	01
08	0503011060	8-336 BACK-UP RING	01
09	0503010976	2-336 N 3006-9B O'RING	01
10	0503010042	2-214 N 3006-9B O'RING	01
11	0502010843	1.8" X 3.4" PISTON	01
12	0503010170	PACKING 3120 2750	02
13	0503010948	W4-3346-590 PK RING G.E	01
14	0503010063	1" SELF-ALIGNING NUT	01
15	0503010002	GREASE FITTING	02
16	0503030387	PLUG	02



Item	Code	Description	QT
01	0501044367	HYDRAULIC CYLINDER	01
01A	0501069001	85,7" X 483" BODY LEFT	01
02	0501068012	44,45 X 682 TURNBUCLE	01
03	0502010993	DETACHABLE COVER	01
04	0502010781	RING SUPPORT	01
05	0503010761	D-1750 SCRAPER RING	01
06	0503010990	GASKET	01
07	0503010949	W2-2000-500 PK RING G.E	01
08	0503011060	8-336 BACK-UP RING	01
09	0503010976	2-336 N 3006-9B O'RING	01
10	0503010042	2-214 N 3006-9B O'RING	01
11	0502010843	1.8" X 3.4" PISTON	01
12	0503010170	PACKING 3120 2750	02
13	0503010948	W4-3346-590 PK RING G.E	01
14	0503010063	1" SELF-ALIGNING NUT	01
15	0503010002	GREASE FITTING	02
16	0503030387	PLUG	02



MARCHESAN IMPLEMENTOS E MÁQUINAS AGRÍCOLAS TATU S.A.
AV. Marchesan, 1979 - Post office box, 131 - CEP 15994-900 - Matão - SP - Brazil
Phone +55 16.3382-8282
(FAX Parts) + 55 16.3382. 8297 - (Export) + 55 16.3382.1003
e.mail: tatu@marchesan.com.br www.marchesan.com.br

Drafting and Illustration = GASPARI
e.mail = jgaspari@marchesan.com.br

**ORIGINAL PARTS
TATU**

