

**SUBSOILER PLOW**

**AST/MATIC E550 - 05/07H**

**Code:** 0501091452  
**Series:** S-0714  
**Revision:** 00  
**Date Revision:** OUTUBRO/2016

# PARTS CATALOGUE



**MARCHESAN**



# PRODUCTS

Code	Description	
0101170228	AST/MATIC E 550 5H	S-0714
0101170157	AST/MATIC E 550 5H DC	S-0714
0101170156	AST/MATIC E 550 5H DC RD	S-0714
0101170229	AST/MATIC E 550 5H RD	S-0714
0101170226	AST/MATIC E 550 7H	S-0714
0101170155	AST/MATIC E 550 7H DC	S-0714
0101170154	AST/MATIC E 550 7H DC RD	S-0714
0101170227	AST/MATIC E 550 7H RD	S-0714
0101170159	AST/MATIC E550 5H DCRD USIN CO	S-0714
0101170158	AST/MATIC E550 5H DCRD USIN SE	S-0714

## ATTENTION: IMPORTANT

Marchesan S.A. reserves the right to improve and/or modify the technical features of its products, without obligation to do the same with those products already sold and without prior knowledge of the dealer or the customer. The photos are only illustrative.

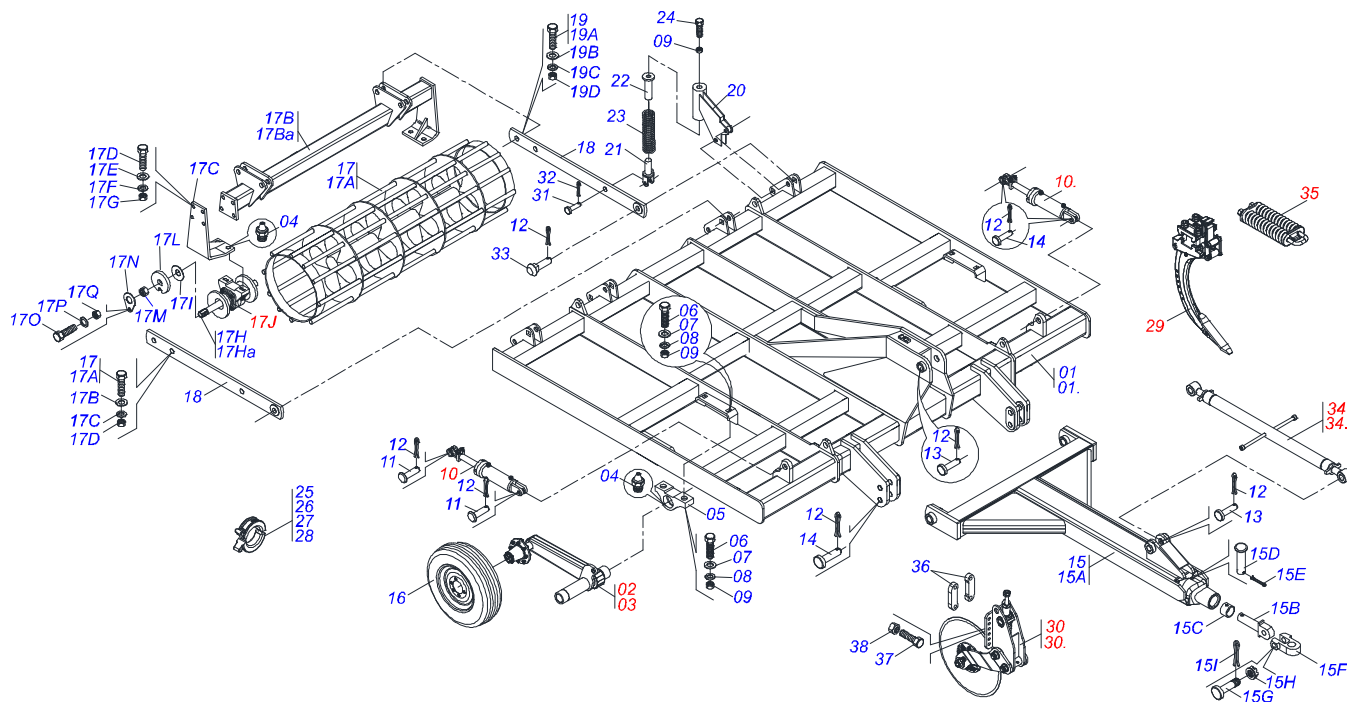


**MARCHESAN**

# INDEX

0909090565	ASSY FRAME	.....	1
0521045646	HYDRAULIC CYLINDER	.....	2
0521045647	HYDRAULIC CYLINDER	.....	3
0511041101	ASSY HEAD	.....	4
0501054554	CAGE ROLLER WITH SUPPORT	.....	5
0501054555	ROLO DESTORROADOR C/SUPORTE 7H	.....	6
0501046922	AGRICULTURAL BEARING DM OL 7 X 1.1/4 IMPLEMENT	.....	7
0501054060	SUPORTE ESQUERDO RODADO S/PNEU	.....	8
0501054059	SUPORTE DIREITO RODADO S/PNEU	.....	9
0501058124	RODADO S/PNEU AST/MATIC E 550	.....	10
0501057701	SYSTEM STEM WITHOUT SPRING	.....	11
0531053661	ROD WITH MOUNTED DISARM	.....	12
0501052884	1" X 23.03" FASTENER	.....	13
0501054088	DRAWBAR STABILIZER ASSEMBLY	.....	14
0521044568	24" FRONT DISC BLADE	.....	15
0521044567	24" REAR DISC BLADE	.....	16
0511053370	24" X 7,5 BLADE DISC ASSY	.....	17
0501057526	DISC HUB	.....	18
0909092129	SYSTEM HYDRAULIC	.....	19
0501053834	MALE QUICK COUPLER	.....	20

ASSY FRAME



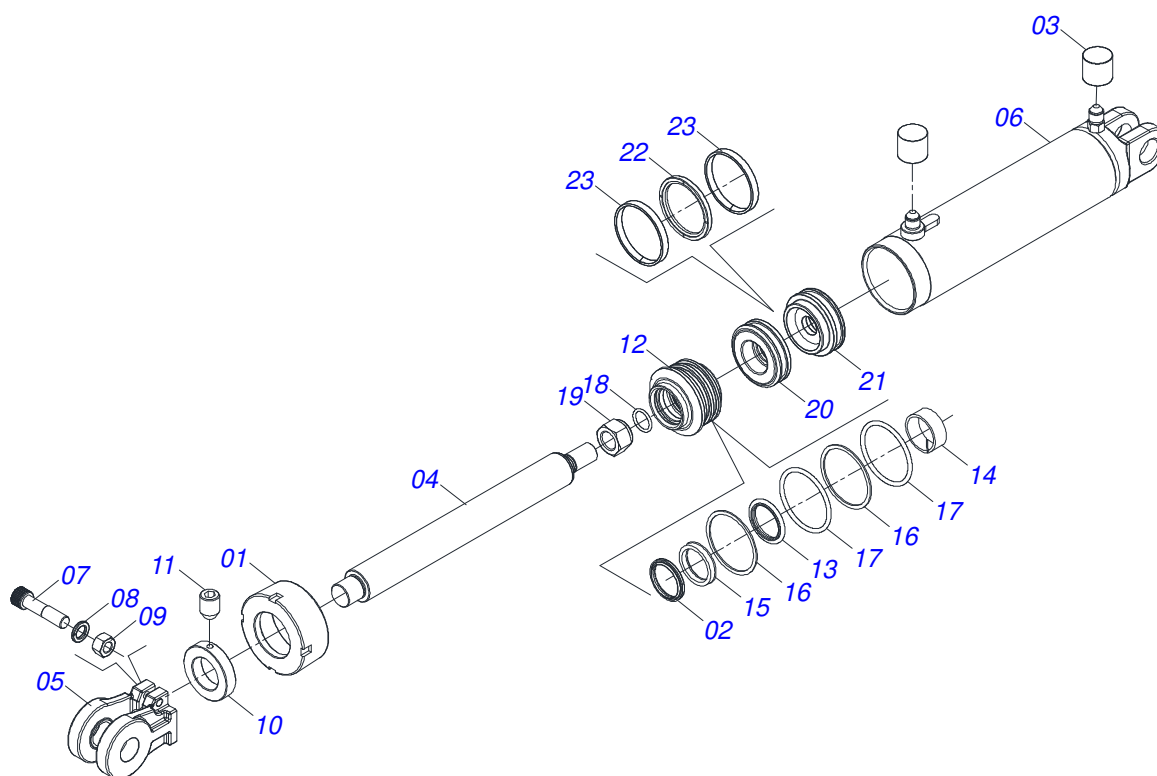
Item	Code	Description	See page	05 07
01	0511063808	FRAME 5H		01 00
01.	0511063809	FRAME 7H		00 01
02	0501054059	SUPORTE DIREITO RODADO S/PNEU	9	01 01
03	0501054060	SUPORTE ESQUERDO RODADO S/PNEU	8	01 01
04	0503010002	1800 GREASE FITTING		06 06
05	0502012273	PIVOT BEARING		04 04
06	0503010901	3/4UNC 3.1/2 BOLT		08 08
07	0501010322	FLAT WASHER		08 08
08	0503010023	3/4" SPRING WASHER		08 08
09	0503010014	3/4" HEX NUT		12 12
10	0521045646	HYDRAULIC CYLINDER	2	01 01
10.	0521045647	HYDRAULIC CYLINDER	3	01 01
11	0521012538	1.2" X 3.5" COUPLING SHAFT		04 04
12	0503010523	1/4" X 2" COTTERPIN		08 08
13	0531017716	AXLE TIGHTENER		02 02
14	0531016023	EIXO INF ENGATE AST/MATIC E 550		02 02
15	0511041101	ASSY HEAD	4	01 01
15A	0511063767	DRAWBAR		01 01
15B	0502040727	COUPLING SHAFT		01 01
15C	0502040327	HITCH LOCK RING		01 01
15D	0511014902	COUPLING SHAFT		01 01
15E	0503010571	1/4" X 1.1/2 COTTERPIN		01 01
15F	0502040732	CLEVIS		01 01
15G	0521012545	COUPLING SHAFT		01 01
15H	0501011301	1.1/2 UNC 6FPP 2.5/16 NUT		01 01
15I	0503010010	1/4" X 2.1/2" COTTERPIN		01 01
16	0503060414	WHEEL AND TIRE		02 02
17	0501054554	CAGE ROLLER WITH SUPPORT	5	01 01
17.	0501054555	ROLO DESTORROADOR C/SUPORTE 7H	6	02 02
17A	0511064541	ROLO DEST 1265 AST/MATIC 550 5H		01 01
17A.	0511064542	ROLO DEST 1800 AST/MATIC 550 7H		02 02



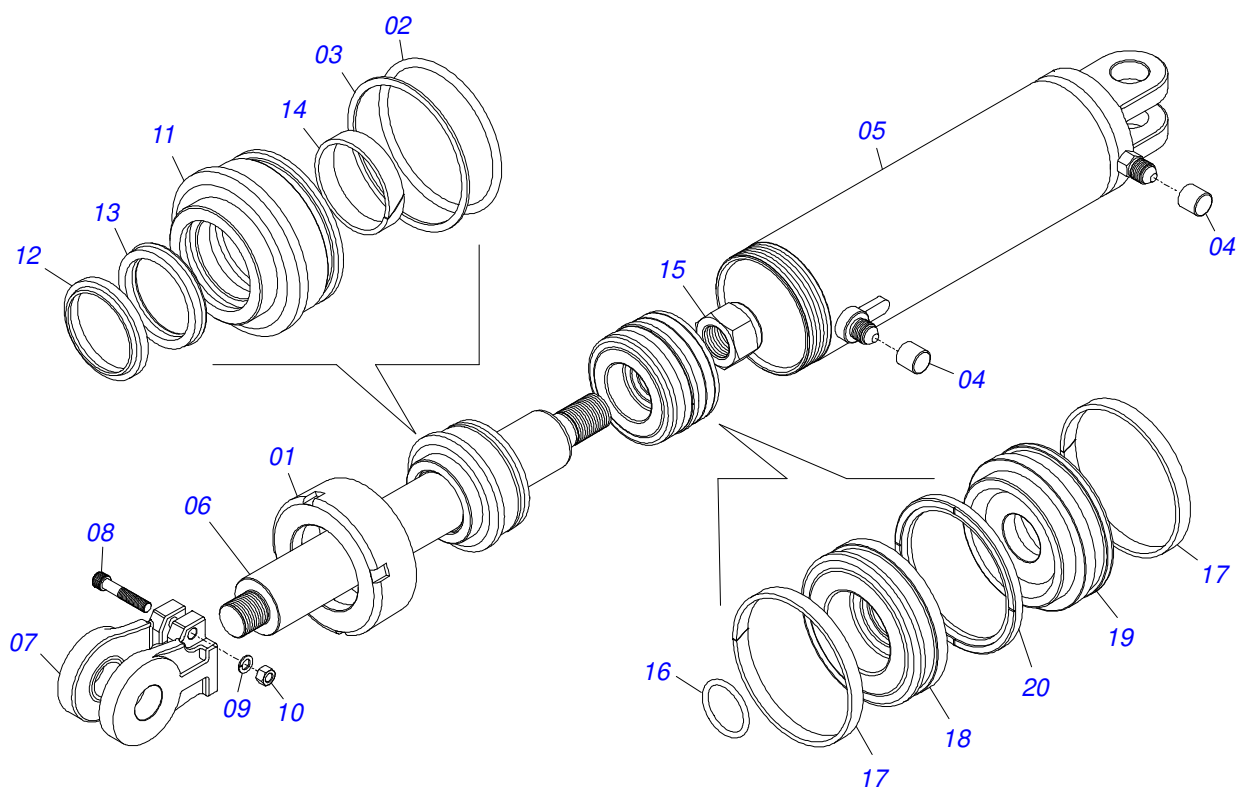
## ASSY FRAME

0909090565

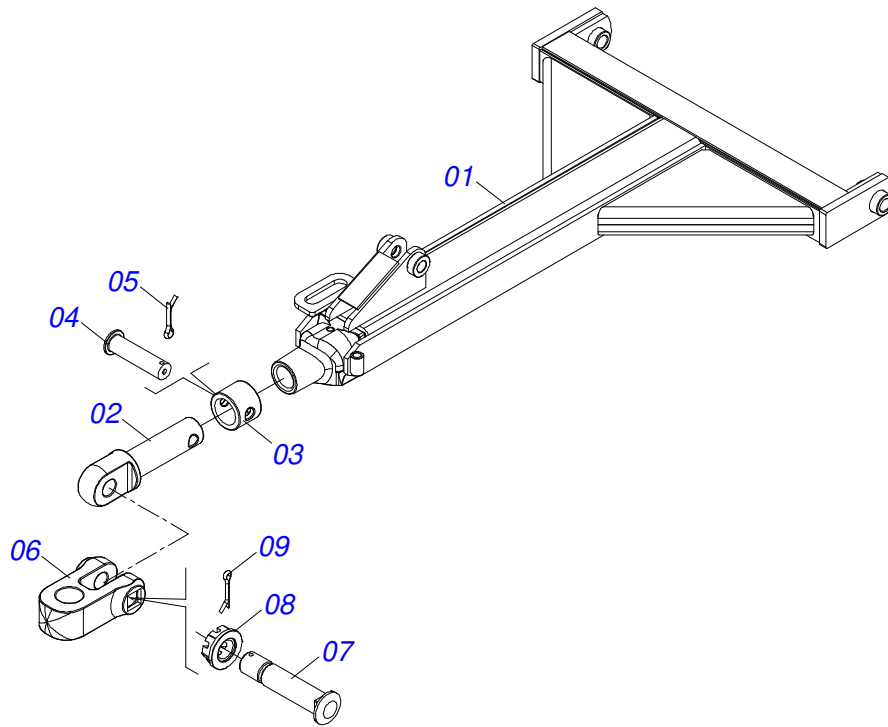
Item	Code	Description	See page	05 07
17B	0511064315	SUPORTE ROLO DESTORROADOR 1280 5		02 00
17Ba	0511064316	SUPPORT DESTROYER ROLLER 1815		00 02
17C	0511064543	SAPATA ROLO DESTORROADOR		02 02
17D	0503810232	BOLT		08 08
17E	0501012140	FLAT WASHER		08 08
17F	0503011445	SPRING WASHER		16 16
17G	0503010013	5/8 NUT		16 16
17H	0531018573	EIXO 1.1/4 X 1310 AST/MATIC 550 5		04 04
17Ha	0531018574	EIXO 1.1/4 X 1840 AST/MATIC 550 7		04 04
17I	0531018575	WASHER CONCAVE		04 04
17J	0501046922	AGRICULTURAL BEARING DM OL 7 X 1.1/4 7 IMPLEMENT		04 04
17K	0501058802	5/8 UNC X 2.3/4 BOLT ASSY		08 08
17Ka	0503015154	5/8" X 2.3/4" BOLT		01 01
17Kb	0501010947	5/8 NUT LOCK		01 01
17L	0502010835	1-1/4" EXTERNAL AXLE WASHER		08 08
17M	0501010087	1.1/4" NUT		04 04
17N	0501010455	1.1/4" NUT LOCK		04 04
17O	0501010161	1/2" X 1.1/4" BOLT		04 04
17P	0503011440	SPRING WASHER		04 04
17Q	0503010060	1/2 UNC G.5 ZN HEX NUT		04 04
18	0511063807	BREAK ROLLER ARM		04 04
19	0501042312	PARAFUSO 1 UNC X 3.1/2 C S COMPLETO		08 08
19A	0501010171	BOLT 1 UNC X 3.1/2 C S G.5		08 08
19B	0501011518	ARRUELA LISA 27 X 50 X 3		08 08
19C	0503010012	1" SPRING WASHER		08 08
19D	0501010059	1.5/8 NUT		08 08
20	0511064544	ROLLER ARTICULATED SUPPORT		04 04
21	0511064546	SPRING LOWER SUPPORT		04 04
22	0511064547	SPRING SUPPORT HOPPER		04 04
23	0503031560	COMPRESSION SPRING 42,6/44,6 X 350 X 12,7 1		04 04
24	0503013135	BOLT 3/4 UNC X 4 C S RT G.7		04 04
25	0501047895	25 ROD STOP		01 01
26	0501047885	30 ROD STOP		01 01
27	0501047888	45 ROD STOP		01 01
28	0501047887	40 ROD STOP		01 01
29	0501057701	SYSTEM STEM WITHOUT SPRING	11	05 07
30	0521044567	24" REAR DISC BLADE	16	02 02
30.	0521044568	24" FRONT DISC BLADE	15	05 03
31	0531016610	JUNCTION AXLE 3/4X45		04 04
32	0503010362	1/8 X 1.1/4 COTTERPIN		04 04
33	0531017715	PIVOT SHAFT 31,75 X 82,50 C A P Q		04 04
34	0501054088	DRAWBAR STABILIZER ASSEMBLY	14	01 01
35	0501052884	1" X 23.03" FASTENER	13	05 07
36	0571011609	DISC BLADE FIXER PLATE		10 14
37	0503014744	3/4 UNF X 7.1/2 C S G.7 ZN BOLT		20 28
38	0503010335	3/4 NUT		20 28



Item	Code	Description	See page	QT
01	0571019709	DETACHABLE COVER		01
02	0503010761	D-1750 SCRAPER RING		01
03	0503030385	CYLINDER PLUG N-002		02
04	0521016677	1.75" X 17.5" TURNBUCLE		01
05	0502040747	32.54 CLEVIS CLAMP		01
06	0521066182	CYLINDER CASE		01
07	0503011094	3/8" X 2" BOLT		01
08	0503011443	3/8" SPRING WASHER		01
09	0503010026	3/8" NUT		01
10	0511018115	1.8" X 0.1" 0.7" BUSHING		01
11	0503011148	3/8" X 1/2" BOLT		01
12	0571019711	RING SUPPORT		01
13	0503017936	RING		01
14	0503017938	RING GUIDE		01
15	0503017937	GASKET		01
16	0503017940	8-337 BACK-UP RING		02
17	0503017939	2-337 N 3006-9B O' RING		02
18	0503010042	2-214 N 3006-9B O'RING		01
19	0503010063	1" SELF-ALIGNING NUT		01
20	0581012598	PISTON		01
21	0581012597	PISTON		01
22	0503018650	SEALING		01
23	0503017883	RING GUIDE		02

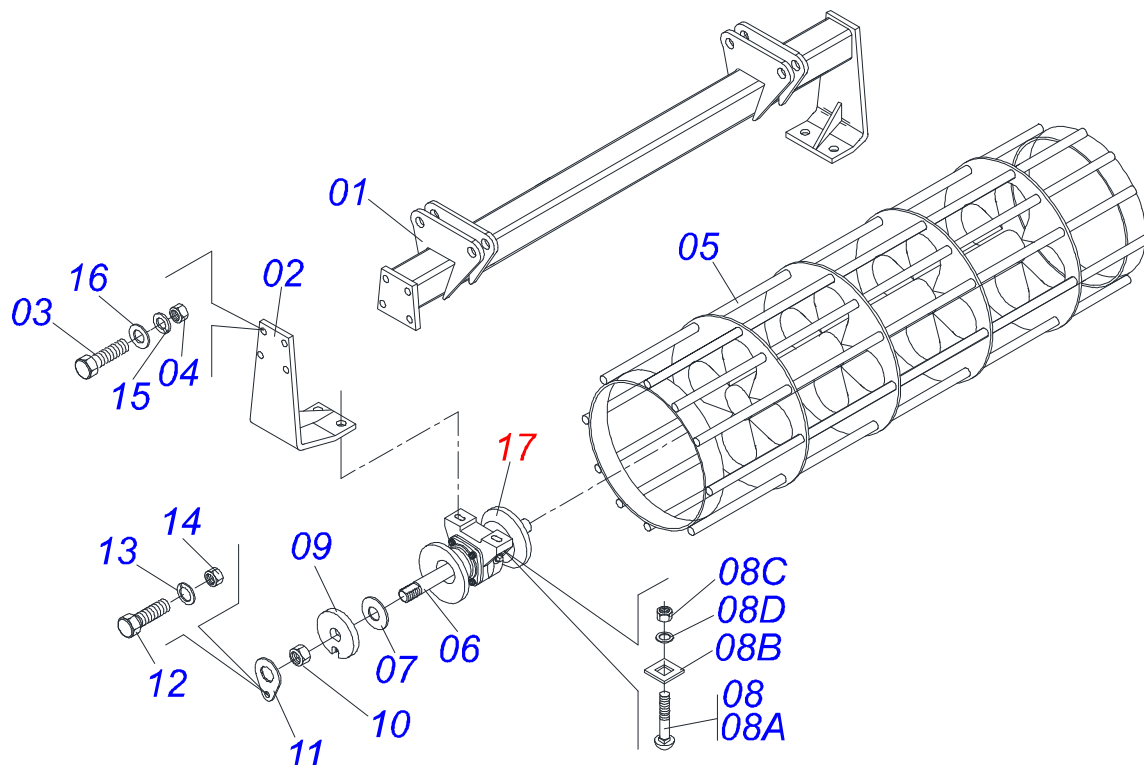


Item	Code	Description	See page	QT
01	0502010017	4" HEAD		01
02	0503010338	2-342 N 3006-9B O'RING		01
03	0503011061	8-342 BACK-UP RING		01
04	0503030385	CYLINDER PLUG N-002		02
05	0521066183	CYLINDER CASE		01
06	0531018706	2.1" X 17" EXTENDING BODY		01
07	0502040747	32.54 CLEVIS CLAMP		01
08	0503011094	3/8" X 2" BOLT		01
09	0503011443	3/8" SPRING WASHER		01
10	0503010026	3/8" NUT		01
11	0502011250	RING OF SUPPORT		01
12	0503015715	SCRAPER SEALING		01
13	0503015642	U-CUP SEALING		01
14	0503010973	W2-2500-500 PK O'RING G.E		01
15	0503010817	1.1/4" SELF LOCKING NUT		01
16	0503010345	2-218 N 3006-9B O'RING		01
17	0503017889	RING GUIDE		02
18	0581012601	PISTON		01
19	0581012602	PISTON		01
20	0503018651	SEALING		01

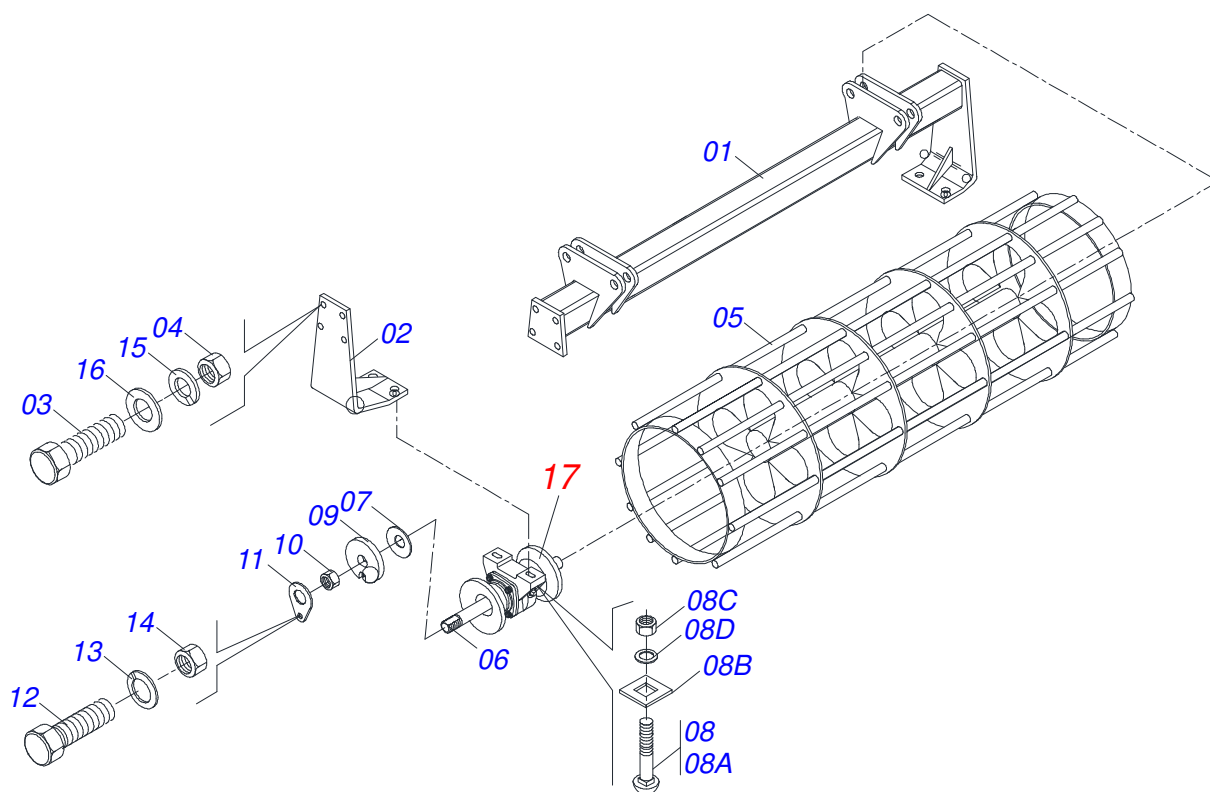


Item	Code	Description	See page	QT
01	0511063767	DRAWBAR		01
02	0502040223	DRAWBOLT		01
03	1902040327	LOCK SLEEVE		01
04	0511014902	COUPLING SHAFT		01
05	0503010571	1/4" X 1.1/2 COTTERPIN		01
06	1902040732	COUPLING		01
07	0521012545	COUPLING SHAFT		01
08	0501011301	1.1/2 UNC 6FPP 2.5/16 NUT		01
09	0503010010	1/4" X 2.1/2" COTTERPIN		01

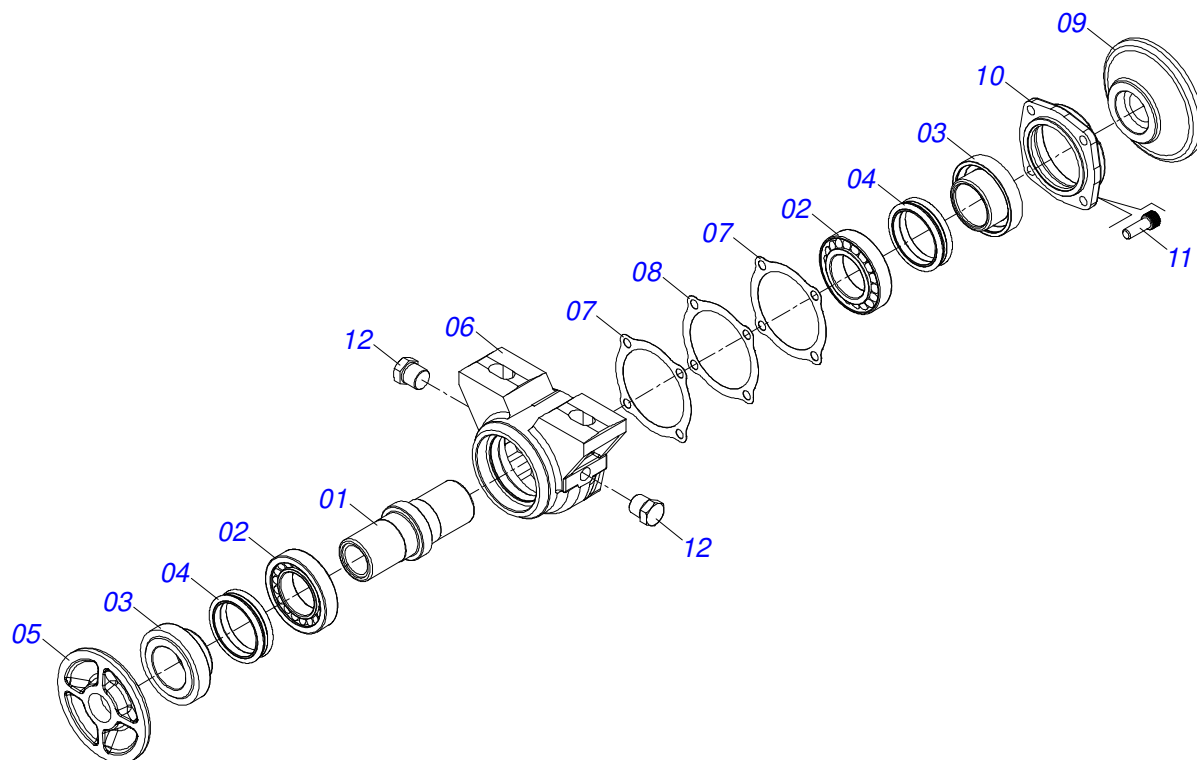




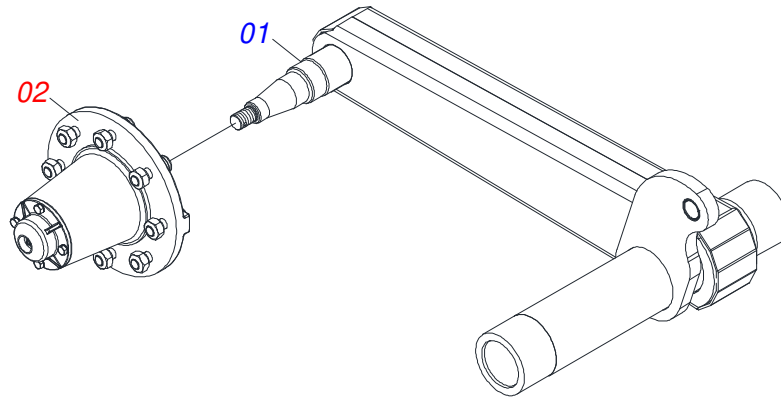
Item	Code	Description	See page	QT
01	0511064315	SUPORE ROLO DESTORROADOR 1280 5		01
02	0511069433	BREAK ROLLER BRACKET		01
03	0503010232	5/8" X 1.3/4" BOLT		04
04	0503010013	5/8 NUT		04
05	0511064541	ROLO DEST 1265 AST/MATIC 550 5H		01
06	0531018573	EIXO 1.1/4 X 1310 AST/MATIC 550 5		01
07	0531018575	WASHER CONCAVE		02
08	0501058802	5/8 UNC X 2.3/4 BOLT ASSY		04
08A	0503015154	5/8" X 2.3/4" BOLT		01
08B	0501010947	5/8 NUT LOCK		01
08C	0503010013	5/8 NUT		02
08D	0501012140	FLAT WASHER		01
09	0502010835	1-1/4" EXTERNAL AXLE WASHER		02
10	0501010087	1.1/4" NUT		02
11	0501010455	1.1/4" NUT LOCK		02
12	0501010161	1/2" X 1.1/4" BOLT		02
13	0503011440	SPRING WASHER		02
14	0503010060	1/2 UNC G.5 ZN HEX NUT		02
15	0503011445	SPRING WASHER		04
16	0501012140	FLAT WASHER		04
17	0501046922	AGRICULTURAL BEARING DM OL 7 X 1.1/4 7 IMPLEMENT		02



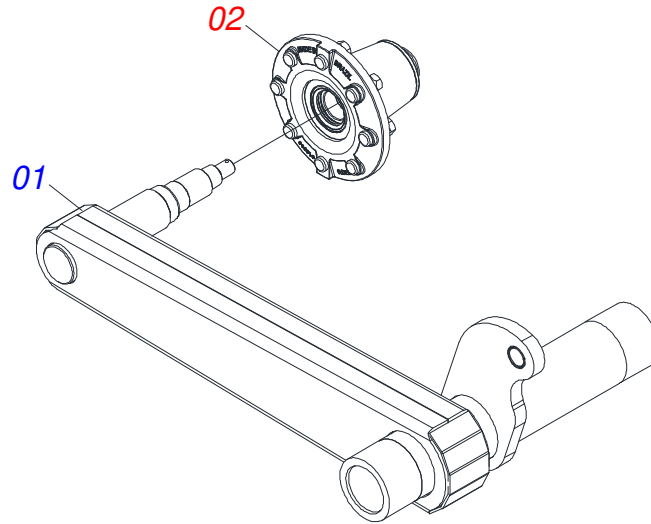
Item	Code	Description	See page	QT
01	0511064316	SUPPORT DESTROYER ROLLER 1815		01
02	0511069433	BREAK ROLLER BRACKET		01
03	0503010232	5/8" X 1.3/4" BOLT		04
04	0503010013	5/8 NUT		04
05	0511064542	ROLO DEST 1800 AST/MATIC 550 7H		01
06	0531018574	EIXO 1.1/4 X 1840 AST/MATIC 550 7		01
07	0531018575	WASHER CONCAVE		02
08	0501058802	5/8 UNC X 2.3/4 BOLT ASSY		04
08A	0503015154	5/8" X 2.3/4" BOLT		01
08B	0501010947	5/8 NUT LOCK		01
08C	0501012140	FLAT WASHER		01
08D	0503010013	5/8 NUT		02
09	0502010835	1-1/4" EXTERNAL AXLE WASHER		02
10	0501010087	1.1/4" NUT		02
11	0501010455	1.1/4" NUT LOCK		02
12	0501010161	1/2" X 1.1/4" BOLT		02
13	0503011440	SPRING WASHER		02
14	0503010060	1/2 UNC G.5 ZN HEX NUT		02
15	0503011445	SPRING WASHER		04
16	0501012140	FLAT WASHER		04
17	0501046922	AGRICULTURAL BEARING DM OL 7 X 1.1/4 7 IMPLEMENT		02



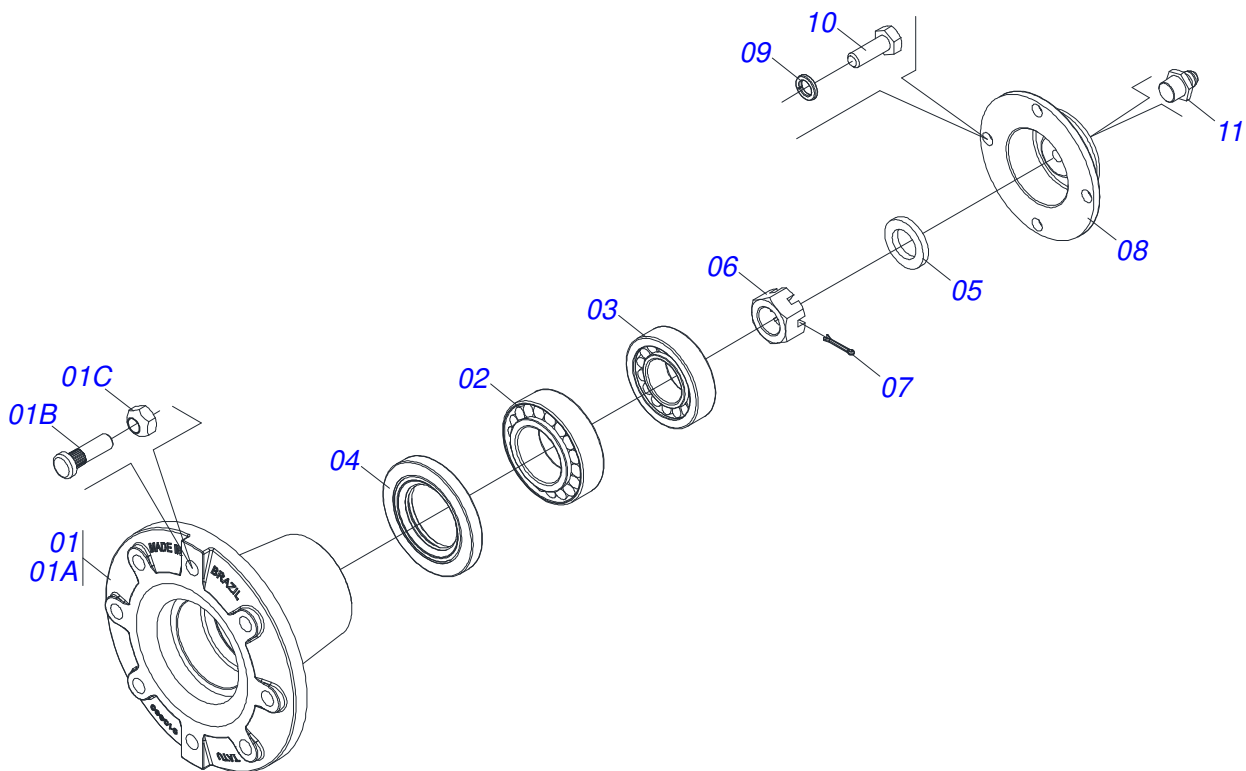
Item	Code	Description	See page	QT
01	0502040218	AXLE		01
02	0503010111	30210 ROLLER BEARING		02
03	0502010541	SEAL RETAINER		02
04	0503030026	SEAL LP JB-253		02
05	0502010071	INNER FLANGE		01
06	0502010540	HOUSING DM		01
07	0503030013	4.4" X 3.5" X 0.004" JOINT		02
08	0503030684	4.4" X 3.5" X 0.004" JOINT		01
09	0502010070	OUTER FLANGE		01
10	0502020424	HOUSING CAP		01
11	0503010134	3/8" X 1" BOLT		04
12	0503010856	OIL PLUG		02
13	3402301247	MINERAL OIL GREASE		0,11Lts



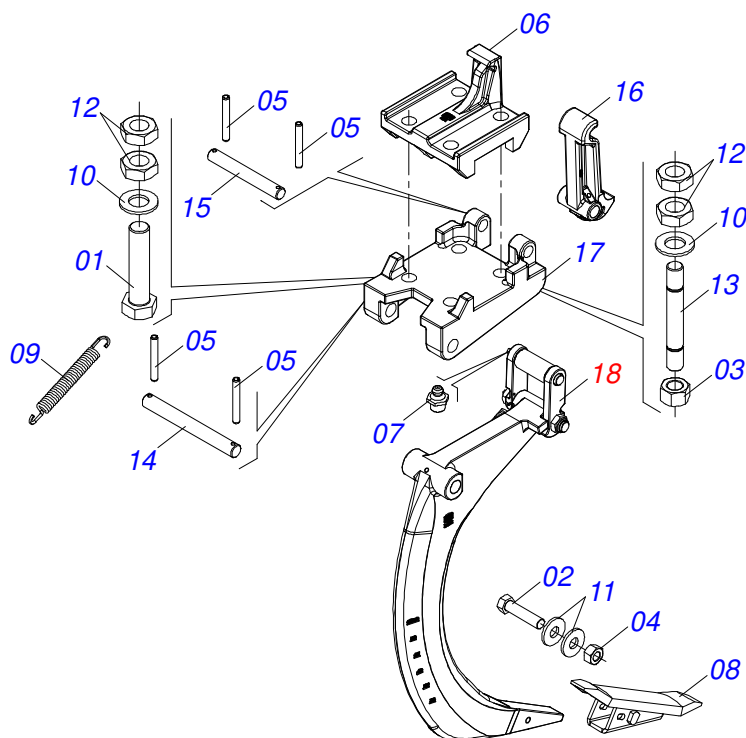
Item	Code	Description	See page	QT
01	0511069459	SUPORTE ESQUERDO RODADO		01
02	0501058124	RODADO S/PNEU AST/MATIC E 550	10	01



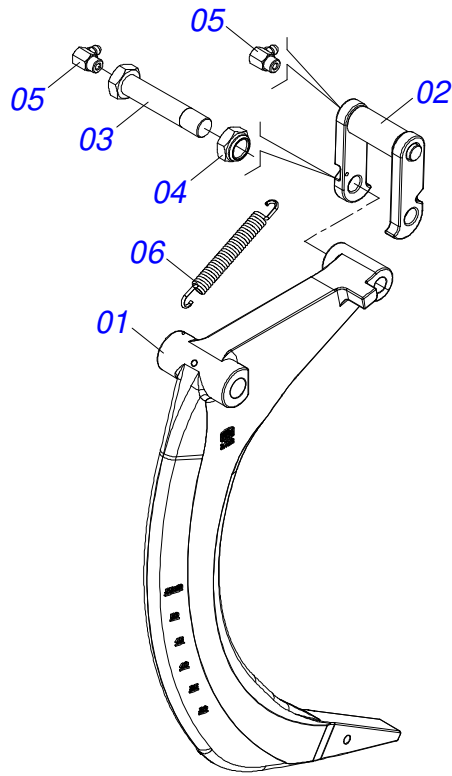
Item	Code	Description	See page	QT
01	0511069458	SUPORTE DIREITO RODADO		01
02	0501058124	RODADO S/PNEU AST/MATIC E 550	10	01



Item	Code	Description	See page	QT
01	0501110738	CARRYING WHEEL HUB		01
01A	0502012260	TRANSPORT WHEEL BOX		01
01B	0501010186	WHEEL SCREW 5/8UNF X 2.1/8CR		08
01C	0503010064	5/8 UNF CONIC NUT		08
02	0503010008	3780/3720 ROLLER BEARING		01
03	0503011156	ROLAMENTO 2780/2720 IMP		01
04	0503013314	RETAINER 5166-GB 63,5 X 110 X 13 ARCA		01
05	0511012492	FLAT WASHER		01
06	0503030009	1" CASTLE NUT		01
07	0503010018	5/32 X 1-1/2 COTTERPIN		01
08	0502020591	PROTECCION COVER		01
09	0503011444	SPRING WASHER		04
10	0503010358	5/16" X 5/8" BOLT		04
11	0503010002	1800 GREASE FITTING		01
12	1882970002	GREASE SOAP		00

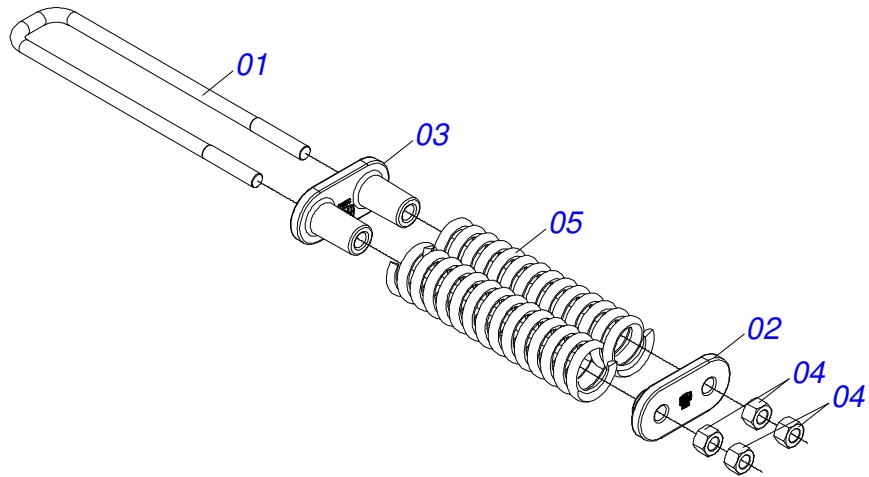


Item	Code	Description	See page	QT
01	0521017351	1-1/4" X 8" BOLT		02
02	0503010850	BOLT 7/16 UNC X 3 CS G.5 ZN		01
03	0503010352	1.1/4" UNF NUT		02
04	0503010244	7/16" NUT		01
05	0503011877	0.3" X 2.4" SPRING PIN		04
06	1902011821	TOP BASE		01
07	0503010002	1800 GREASE FITTING		02
08	0511068435	POINT SUBSOILER		01
09	0503031574	6.9" X 0.8" X 0.1" TRACTION SPRING		01
10	0501017779	32 X 60 X 4.75 FLAT WASHER		04
11	0501012803	FLAT WASHER		02
12	0503013094	1.1/4" NUT		08
13	0541010119	1.1/4" X 9.5" FASTENER		02
14	0521017367	1.2" X 10.1" AXLE		01
15	0521017366	1.1" X 7.7" AXLE		01
16	0502011823	SPRING FIXER ARM		01
17	0502011822	LOWER BASE		01
18	0531053661	ROD WITH MOUNTED DISARM	12	01

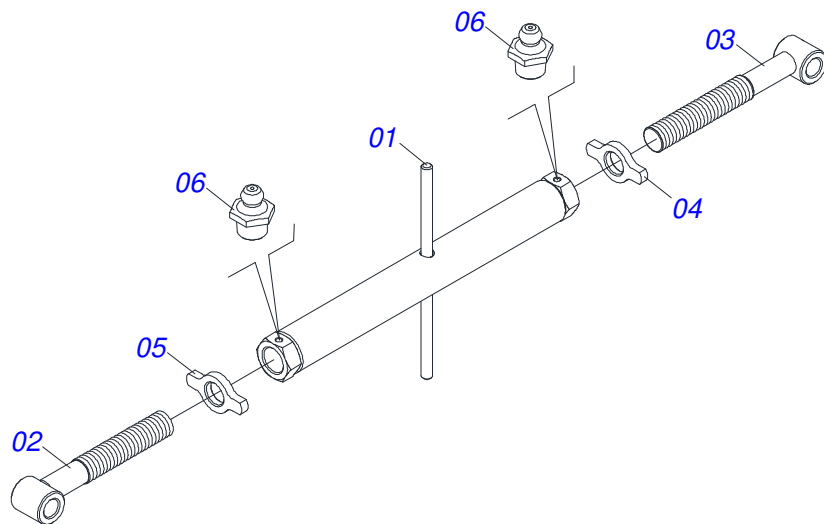


Item	Code	Description	See page	QT
01	0502012452	SHANKS		01
02	0531062682	PULLEY FIXING		01
03	0591019809	BOLT 1 UNC X 6.1/2		01
04	0503014182	SELF-ADJUSTING NUT		01
05	0503010004	1890 GREASE FITTING		02
06	0503031574	6.9" X 0.8" X 0.1" TRACTION SPRING		01

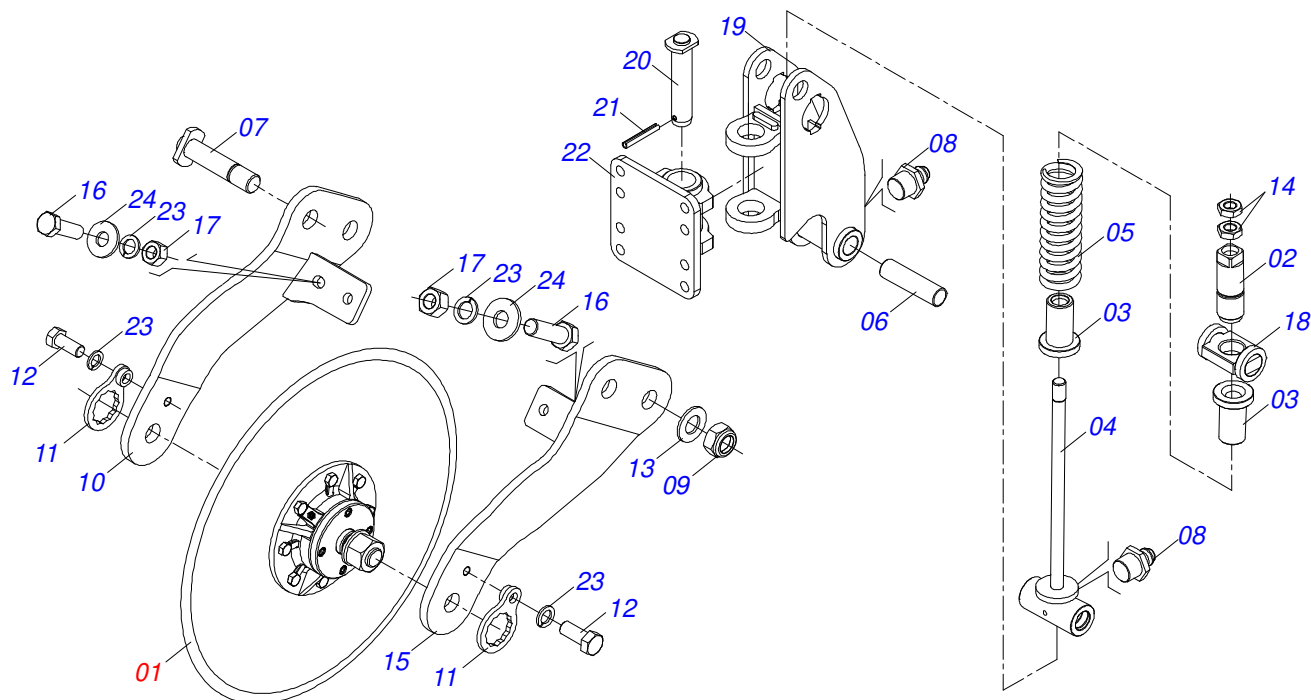




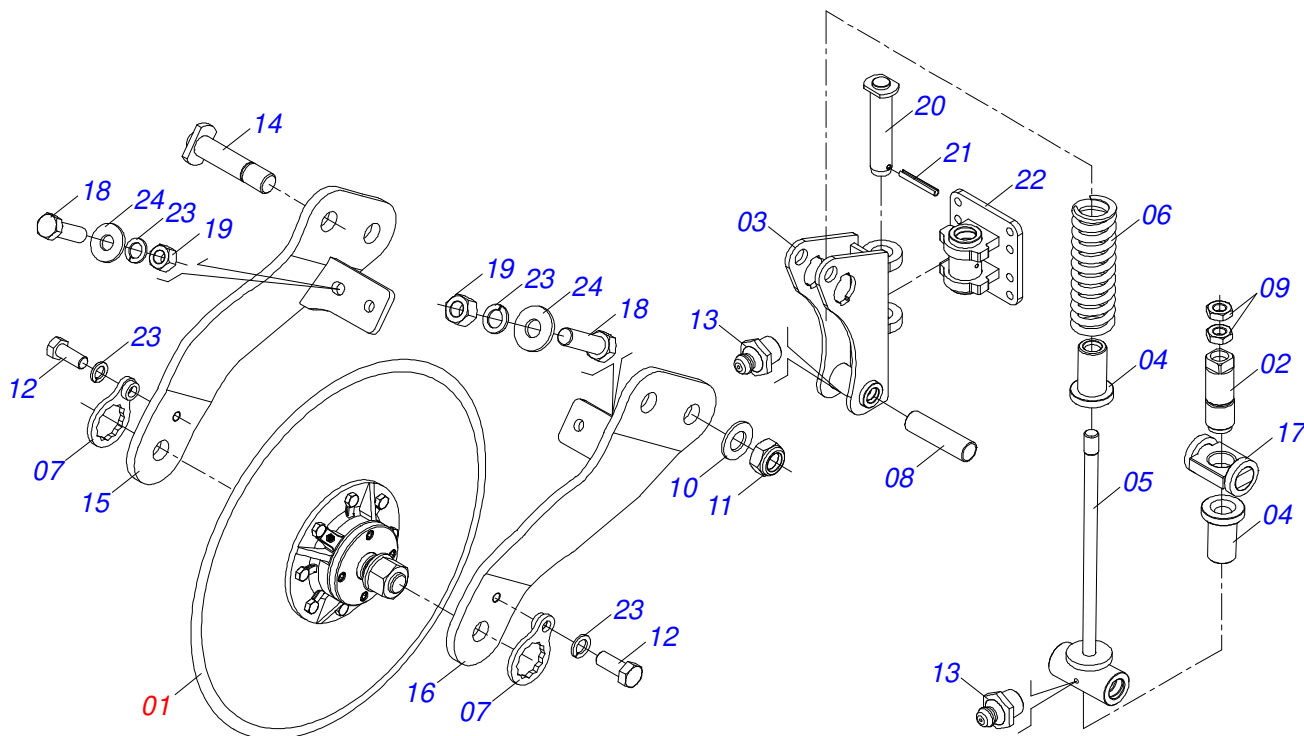
Item	Code	Description	See page	QT
01	0521017662	1" X 23.03" U FASTENER		01
02	0502011825	REAR FIXER SPRING		01
03	0502011824	FRONT FIXER SPRING		01
04	0503010340	1" NUT		04
05	0503031603	4" X 17" X 0.8" SPRING		02



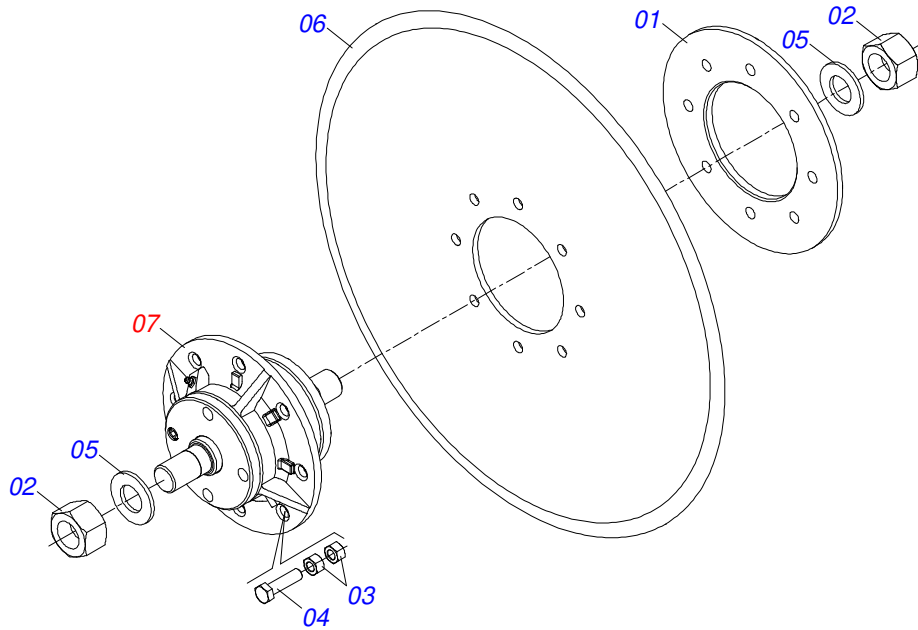
Item	Code	Description	See page	QT
01	0511063786	EXTENDER 950		01
02	0511063787	RIGHT EXTENDER SPINDLE R1.1/2 X 432		01
03	0511063788	LEFT EXTENDER SPINDLE R1.1/2 X 432		01
04	0541018672	COUNTERNUT		01
05	0541018673	COUNTERNUT		01
06	0503010002	1800 GREASE FITTING		02



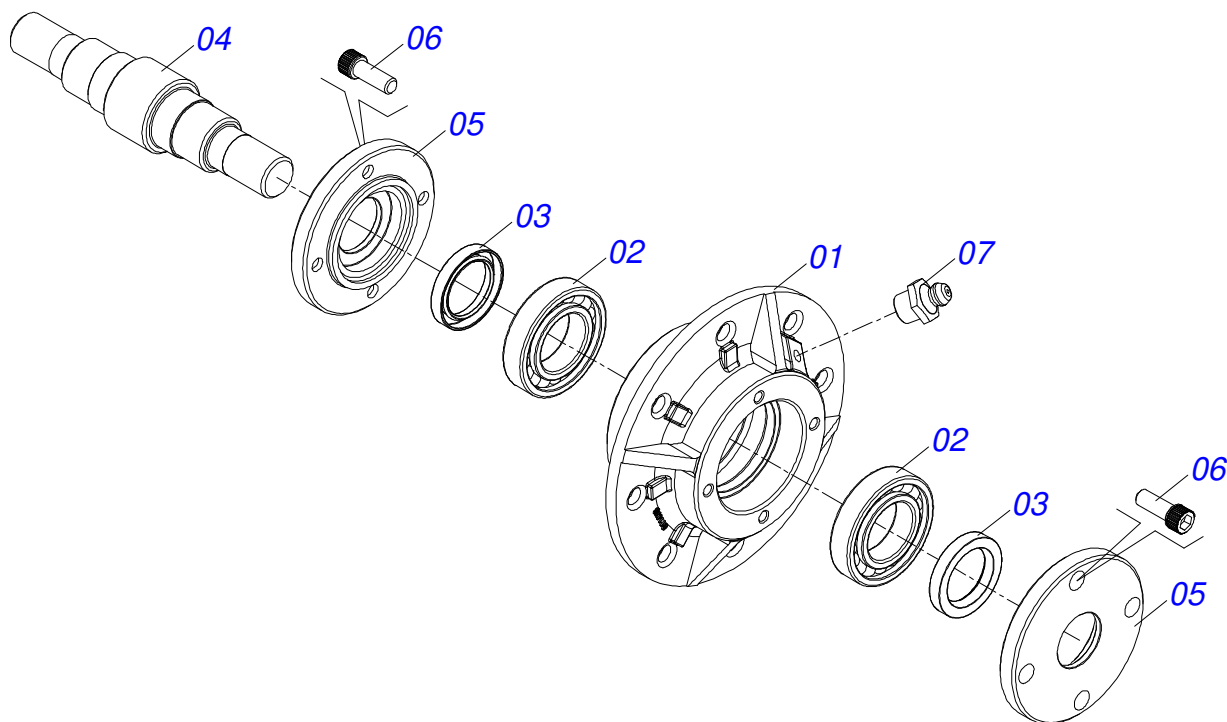
Item	Code	Description	See page	QT
01	0511053370	24" X 7,5 BLADE DISC ASSY	17	01
02	0571010668	2" REGULATOR SPINDLE		01
03	0571010669	SLEEVE Ø28,58 X Ø50 X 105		02
04	0521062925	PRING ROD		01
05	0503031390	2.1"X10"X1/2" COMPRESSION SPRING		01
06	0551014549	SLEEVE 32,54 X 37,80 X 140		02
07	0521062926	COUPLING SHAFT		02
08	0503010002	1800 GREASE FITTING		03
09	0503010044	1-1/4" SELF LOCKING NUT		02
10	0521062924	RIGHT ARM THE BLADE DISC		01
11	0501069637	AXLE NUT LOCK		02
12	0503011267	5/8 UNC X 1.1/2 C S G.5 ZN BOLT		02
13	0501017779	32 X 60 X 4.75 FLAT WASHER		02
14	0503013635	1" NUT		02
15	0521064686	RIGHT ARM OF THE BLADE DISC		01
16	0501010100	SCREW 5/8 UNC X 2 CS G.5 ZN		02
17	0503010013	5/8 NUT		02
18	0521064687	SPRING LOCKNUT		01
19	0521065138	FRONT FIXER		01
20	0521065131	COUPLING SHAFT		01
21	0503016184	SPRING PIN		01
22	0521065132	SPRING FIXER		01
23	0503810027	WASHER PRESSURE 5/8 SA		08
24	0501012140	FLAT WASHER		02



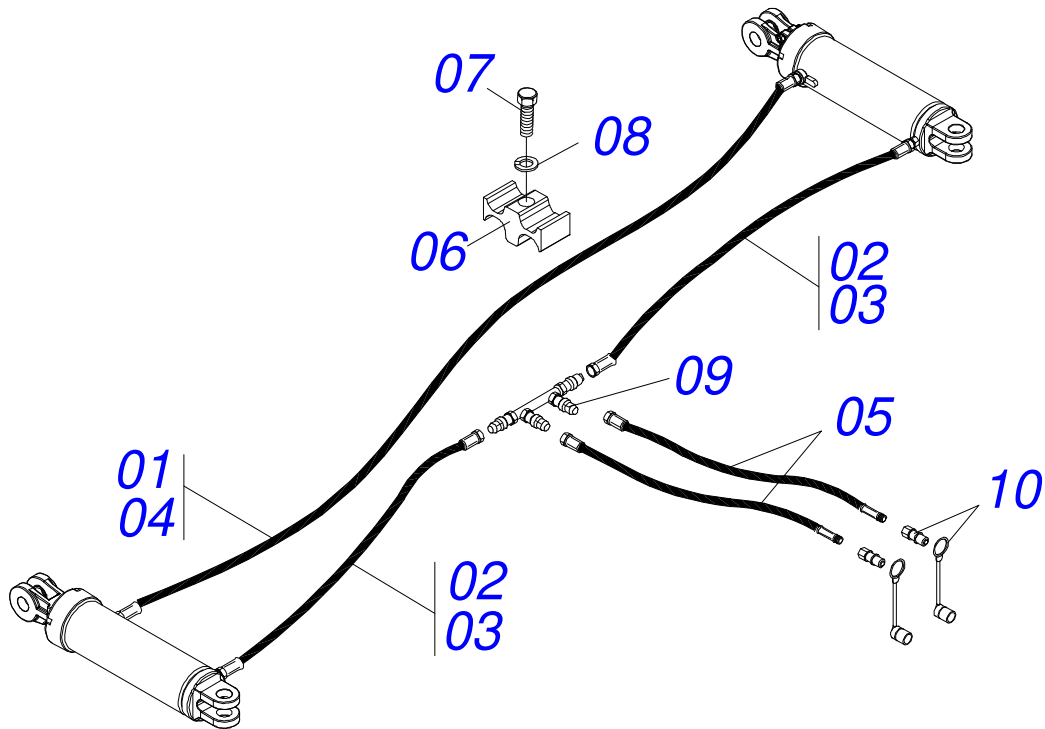
Item	Code	Description	See page	QT
01	0511053370	24" X 7,5 BLADE DISC ASSY	17	01
02	0571010668	2" REGULATOR SPINDLE		01
03	0521065137	REAR FIXER		01
04	0571010669	SLEEVE Ø28,58 X Ø50 X 105		02
05	0521062925	PRING ROD		01
06	0503031390	2.1"X10"X1/2" COMPRESSION SPRING		01
07	0501069637	AXLE NUT LOCK		02
08	0551014549	SLEEVE 32,54 X 37,80 X 140		02
09	0503013635	1" NUT		02
10	0501017779	32 X 60 X 4.75 FLAT WASHER		02
11	0503010044	1-1/4" SELF LOCKING NUT		02
12	0503011267	5/8 UNC X 1.1/2 C S G.5 ZN BOLT		02
13	0503010002	1800 GREASE FITTING		03
14	0521062926	COUPLING SHAFT		02
15	0521062924	RIGHT ARM THE BLADE DISC		01
16	0521064686	RIGHT ARM OF THE BLADE DISC		01
17	0521064687	SPRING LOCKNUT		01
18	0501010100	SCREW 5/8 UNC X 2 CS G.5 ZN		02
19	0503010013	5/8 NUT		02
20	0521065131	COUPLING SHAFT		01
21	0503016184	SPRING PIN		01
22	0521065132	SPRING FIXER		01
23	0503810027	WASHER PRESSURE 5/8 SA		08
24	0501012140	FLAT WASHER		02



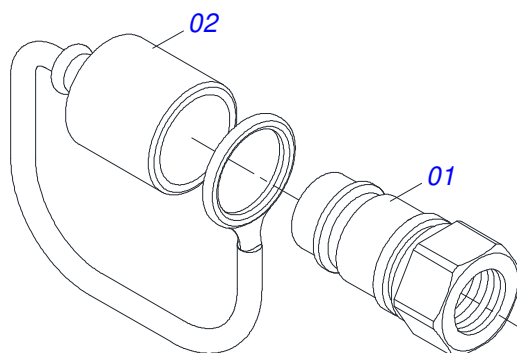
Item	Code	Description	See page	QT
01	0521011824	BLADE DISC FLANGE OUTER		01
02	0501010087	1.1/4" NUT		02
03	0503010060	1/2 UNC G.5 ZN HEX NUT		16
04	0503010905	1/2" X 2-1/4" BOLT		08
05	0501017779	32 X 60 X 4.75 FLAT WASHER		02
06	0603030067	24" X 7,5 PLAIN COULTER BLADE		01
07	0501057526	DISC HUB	18	01



Item	Code	Description	See page	QT
01	0502011478	DISC HUB		01
02	0503011291	6209 BALL BEARING		02
03	0503012106	00521-BR RETAINER		02
04	0521012661	BLADE DISC AXLE HUB		01
05	0502011477	BLADE DISC HOUSIG CP		02
06	0503010134	3/8" X 1" BOLT		08
07	0503010002	1800 GREASE FITTING		01
08	1882970002	GREASE SOAP		0,03Kg



Item	Code	Description	See page	05 07
01	0501080403	3/8" X 137" TR-TR HOSE ASSY		00 01
02	0501080488	3/8" X 51" TR-TR HOSE ASSY		02 00
03	0501080128	3/8" X 71" TR-TR HOSE ASSY		00 02
04	0501080452	3/8" X 98" TR-TR HOSE		01 00
05	0501080510	HOSE 3/8 X 3500 TR-TM		02 02
06	0502012702	BODY SUPPORT CLAMP		01 01
07	0503012555	SCREW 7/16 UNC X 2 CS RT G.7 ZN		01 01
08	0503010180	7/16" SPRING WASHER		01 01
09	0501053834	MALE QUICK COUPLER	20	02 02



Item	Code	Description	See page	QT
01	0503011627	MALE QUICK COUPLER AGR 1/2 NPT		01
02	0503011882	MALE QUICK COUPLER CAP		01







**MARCHESAN**

**Technical Publications | Elaboration and Revision**

ALESSANDRA PATRICIA KAWAHARA CARRILI

[www.marchesan.com.br](http://www.marchesan.com.br)

