

SUBSOILER PLOW

AST/MATIC E450 13/15/17H

Code: 0501091450
Series: S-1015
Revision: 00
Date Revision: JANEIRO/2022

PARTS CATALOGUE



MARCHESAN



PRODUCTS

Code	Description
0101170169	AST/MATIC E 450 13H DC RD S-1015
0101170171	AST/MATIC E 450 13H DC S-1015
0101170170	AST/MATIC E 450 13H RD S-1015
0101170175	AST/MATIC E 450 15H DC RD S-1015
0101170177	AST/MATIC E 450 15H DC S-1015
0101170176	AST/MATIC E 450 15H RD S-1015
0101170183	AST/MATIC E 450 17H DC RD S-1015
0101170182	AST/MATIC E 450 17H DC S-1015
0101170181	AST/MATIC E 450 17H RD S-1015

ATTENTION: IMPORTANT

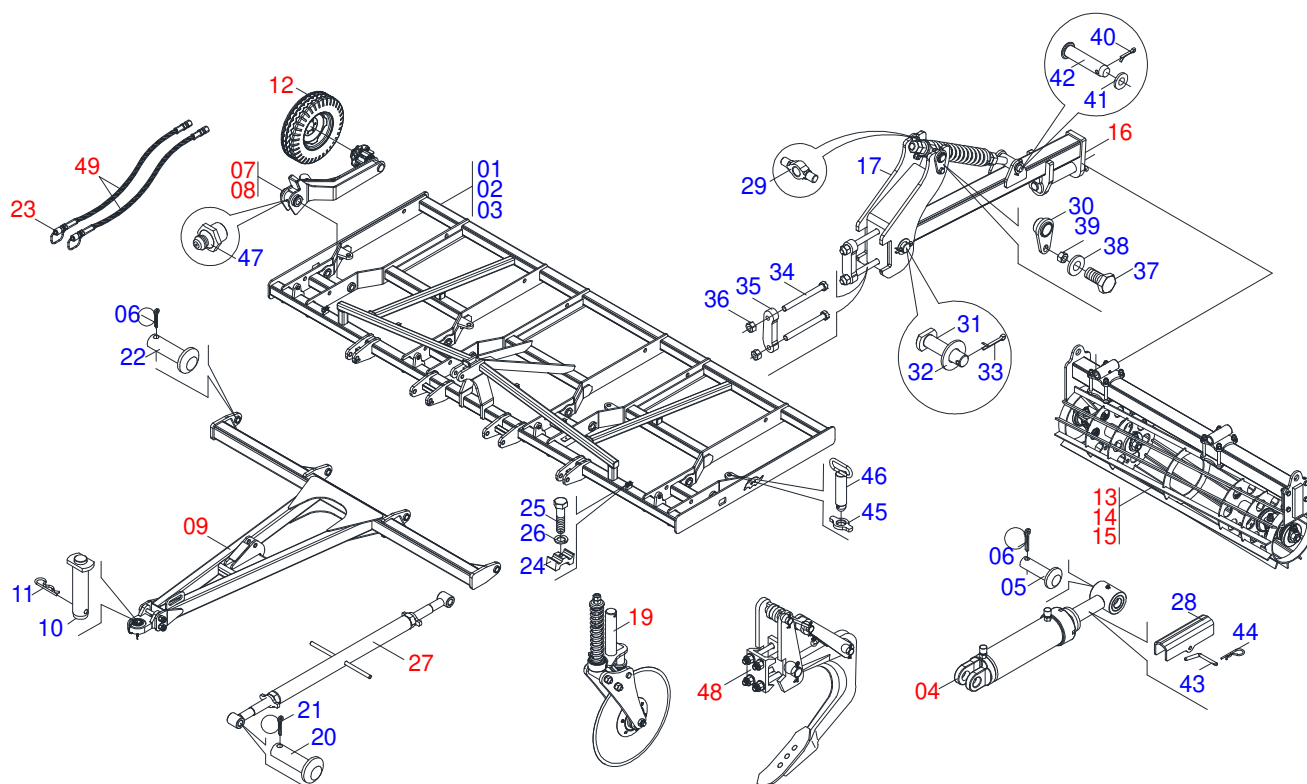
Marchesan S.A. reserves the right to improve and / or modify the technical features of its products, without obligation to do the same with those products already sold and without prior knowledge of the dealer or the consumer.



MARCHESAN

INDEX

0909092084	ASSY FRAME	1
0521045737	HYDRAULIC CILINDER 44,45 X 85,72 X 515 X 205	2
0511058772	LEFT DEPTH CONTROL ASSY	3
0511058771	RIGHT DEPTH CONTROL ASSY AST/MATIC 13 A 17H	4
0501051142	CARRYING WHEEL HUB	5
0521046208	DRAWBAR ASSY	6
0503062010	750 X 16-12L ASSY WHEEL AND TIRE	7
0521045128	BREAK ROLLER	8
0521045129	BREAK ROLLER	9
0521044951	BREAK ROLLER	10
0501046922	AGRICULTURAL BEARING DM OL 192.5 X 1.1/4 IMPLEMENT	11
0511058773	BREAKER ROLLER ARM ASSY	12
0521045333	BLADE DISC 20	13
0511058648	BOX WITH DISC BLADE 20	14
0511056909	DISC BOX CUT WITHOUT THE DISC	15
0501053834	MALE QUICK COUPLER WITH CAP - 1/2 NPT	16
0501054088	ASSY DRAWBAR STABILIZER	17
0501052882	SHANKS SYSTEM WITHOUT SPRING	18
0909092108	HYDRAULIC CIRCUIT 13H	19
0909092109	HYDRAULIC CIRCUIT 15 H	20
0909092110	HYDRAULIC CIRCUIT	21



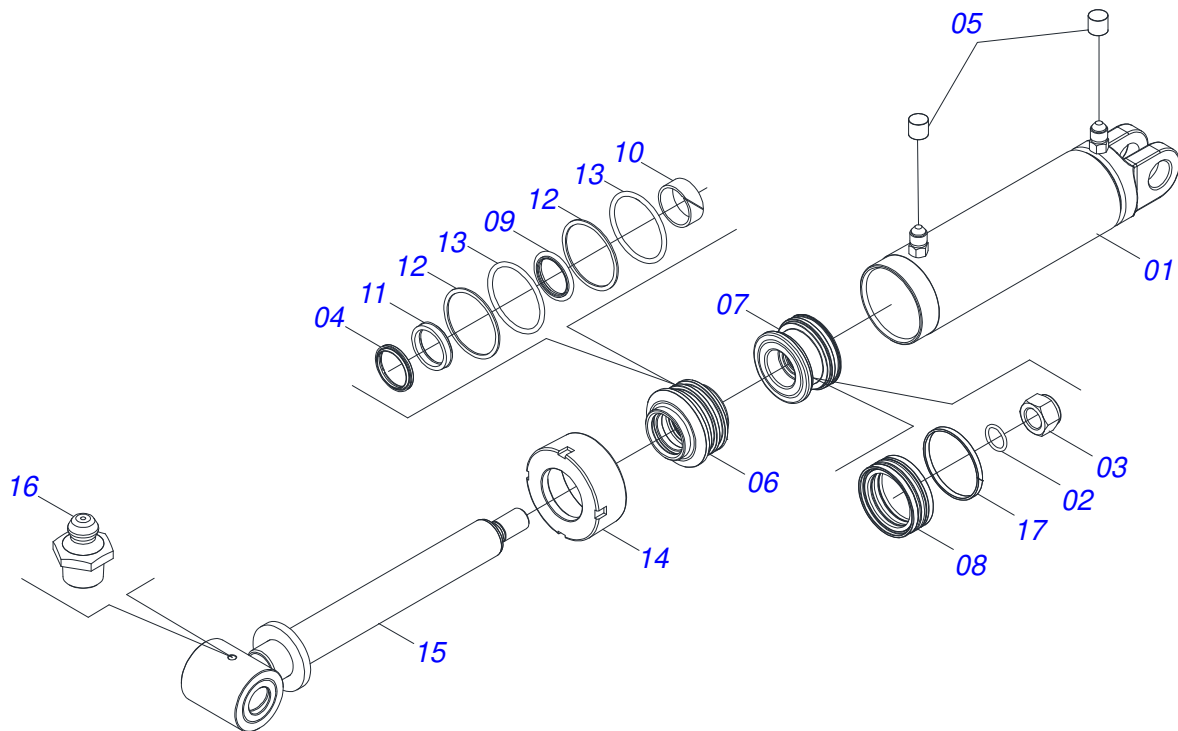
Item	Code	Description	See page	13	15	17
01	0521066639	FRAME AST/MATIC 13H S-1015		01	00	00
02	0521066641	FRAME AST/MATIC 15H S-1015		00	01	00
03	0521066643	FRAME AST/MATIC 17H S-1015		00	00	01
04	0521045737	HYDRAULIC CILINDER 44,45 X 85,72 X 515 X 205	2	04	04	04
05	0521012538	1.2" X 3.5" COUPLING SHAFT		04	04	04
06	0503010523	1/4" X 2" COTTERPIN		08	08	08
07	0511058772	LEFT DEPTH CONTROL ASSY	3	01	01	01
08	0511058771	RIGHT DEPTH CONTROL ASSY AST/MATIC 13 A 17H	4	01	01	01
09	0521046208	DRAWBAR ASSY	6	01	01	01
10	0521066649	COUPLING SHAFT		01	01	01
11	0503010523	1/4" X 2" COTTERPIN		01	01	01
12	0503062010	750 X 16-12L ASSY WHEEL AND TIRE	7	02	02	02
13	0521045128	BREAK ROLLER	8	02	00	00
14	0521045129	BREAK ROLLER	9	01	02	00
15	0521044951	BREAK ROLLER	10	00	01	03
16	0511058773	BREAKER ROLLER ARM ASSY	12	06	06	06
17	0521065529	FIXATION SUPPORT		06	06	06
19	0521045333	BLADE DISC 20	13	13	15	17
20	0521010780	1.2" X 4.5" COUPLING SHAFT		02	02	02
21	0503010571	1/4" X 1.1/2 COTTERPIN		08	08	08
22	0521012536	COUPLING SHAFT		02	02	02
23	0501053834	MALE QUICK COUPLER WITH CAP - 1/2 NPT	16	02	02	02
24	0502012702	BODY SUPPORT CLAMP		03	03	03
25	0503012555	SCREW 7/16 UNC X 2 CS RT G.7 ZN		03	03	03
26	0503010180	7/16" SPRING WASHER		03	03	03
27	0501054088	ASSY DRAWBAR STABILIZER	17	01	01	01
28	0581010859	TRANSPORT LOCK		01	01	01
29	0571011378	TRUNNION ARTICULATOR SPRING ROD		04	04	04
30	0521063151	TRUNNION LOCK ARTICULATOR SPRING ROD		04	04	04
31	0521810808	COUPLING SHAFT		06	06	06
32	0511819685	FLAT WASHER		06	06	06



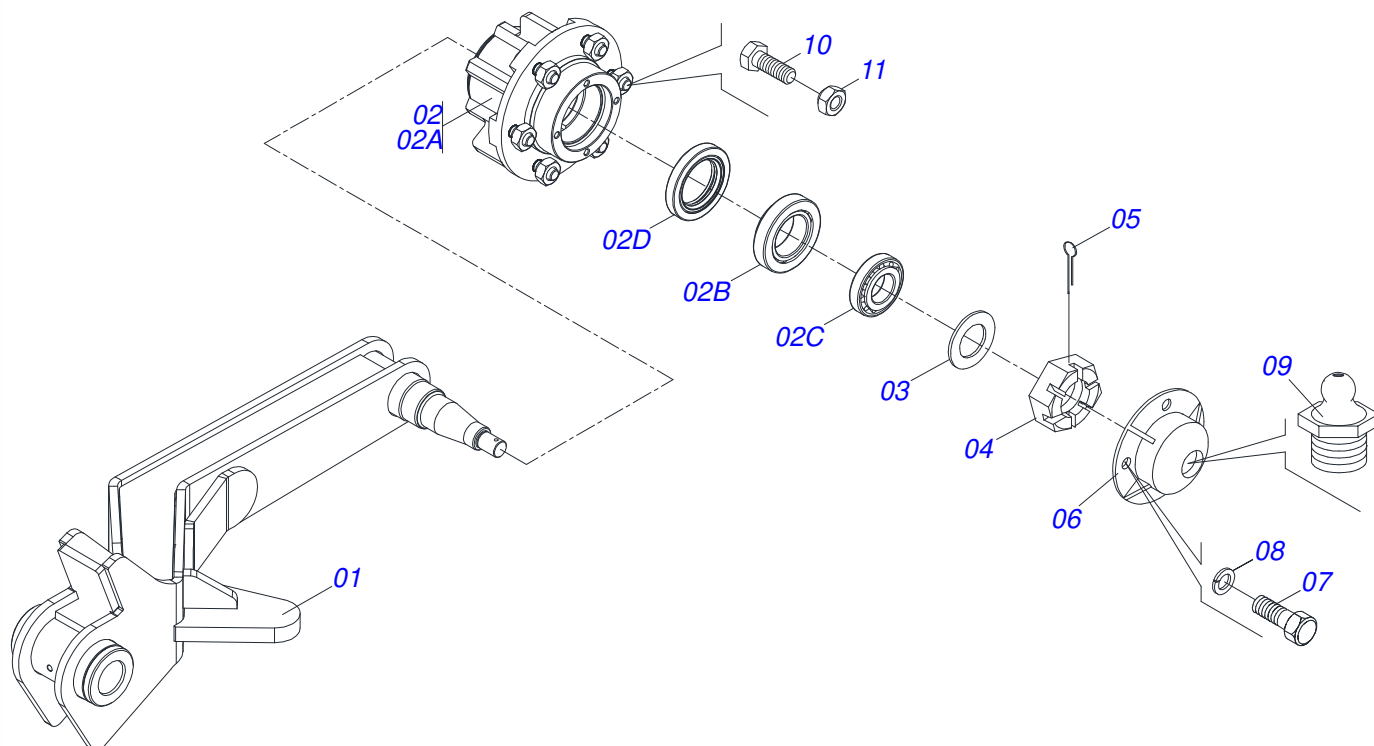
ASSY FRAME

0909092084

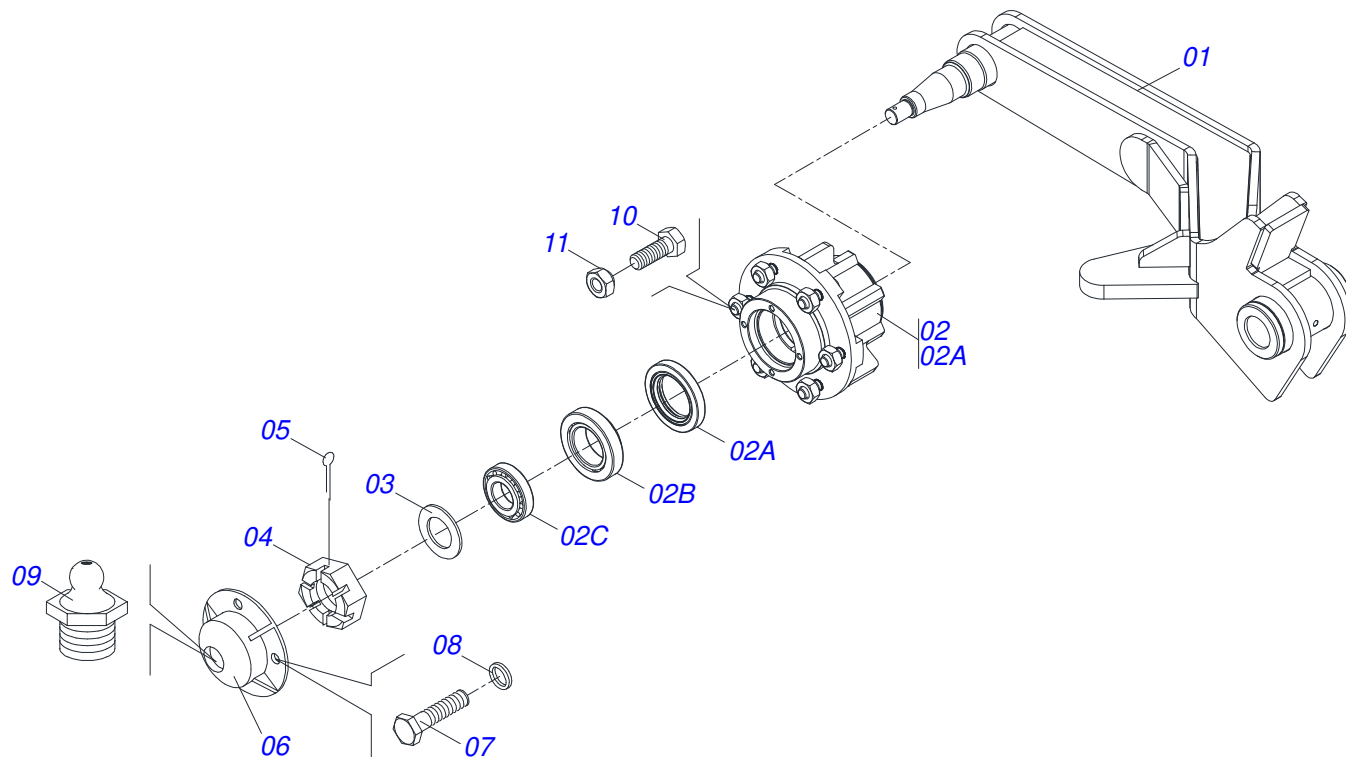
Item	Code	Description	See page	13	15	17
33	0503012267	5/16" X 3" COTTER PIN		06	06	06
34	0503014744	3/4 UNF X 7.1/2 C S G.7 ZN BOLT		12	12	12
35	0571011609	FIXER PLATE CUTTING DISC		06	06	06
36	0503010335	3/4"NUT		12	12	12
37	0503010920	1/2" X 1.1/2" BOLT		06	06	06
38	0503010019	1/2" SPRING WASHER		06	06	06
39	0503010060	1/2" NUT		06	06	06
40	0503010523	1/4" X 2" COTTERPIN		06	06	06
41	0511015346	FLAT WASHER		06	06	06
42	0521010578	COUPLING SHAFT		06	06	06
43	0541016844	FIXER LOCK		02	02	02
44	0503030285	HAIR PIN		02	02	02
45	0541018672	COUNTERNUT		04	04	04
46	0521064086	ADJUSTMENT WHEEL		04	04	04
47	0503010002	1800 GREASE FITTING		04	04	04
48	0501052882	SHANKS SYSTEM WITHOUT SPRING	18	13	15	17
49	0909092108	HYDRAULIC CIRCUIT 13H	19	01	00	00
49.	0909092109	HYDRAULIC CIRCUIT 15 H	20	00	01	00
49..	0909092110	HYDRAULIC CIRCUIT	21	00	00	01



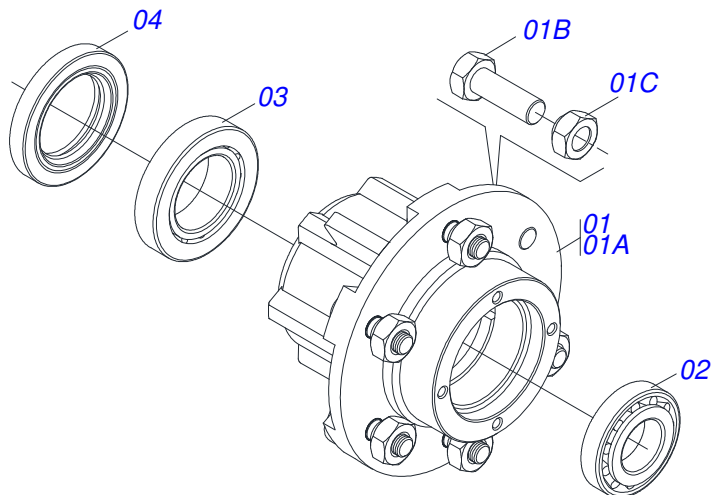
Item	Code	Description	See page	QT
01	0511061588	3.4" X 16" CYLINDER CASE		01
02	0503010042	2-214 N 3006-9B O'RING		01
03	0503010063	1" SELF-ALIGNING NUT		01
04	0503010761	D-1750 SCRAPER RING		01
05	0503030385	CYLINDER PLUG N-002		02
06	0571019711	RING SUPPORT		01
07	0571019710	1.7" X 3.4" PISTON		01
08	0503017935	RING		01
09	0503017936	RING		01
10	0503017938	RING GUIDE		01
11	0503017937	GASKET		01
12	0503017940	8-337 BACK-UP RING		02
13	0503017939	2-337 N 3006-9B O' RING		02
14	0571019709	DETACHABLE COVER		01
15	0521066243	TURNBUCKLE		01
16	0503010002	1800 GREASE FITTING		01
17	0503018144	RING		01
18	0511034218	CYLINDER REPAIR KIT 44,45 X 85,72		01



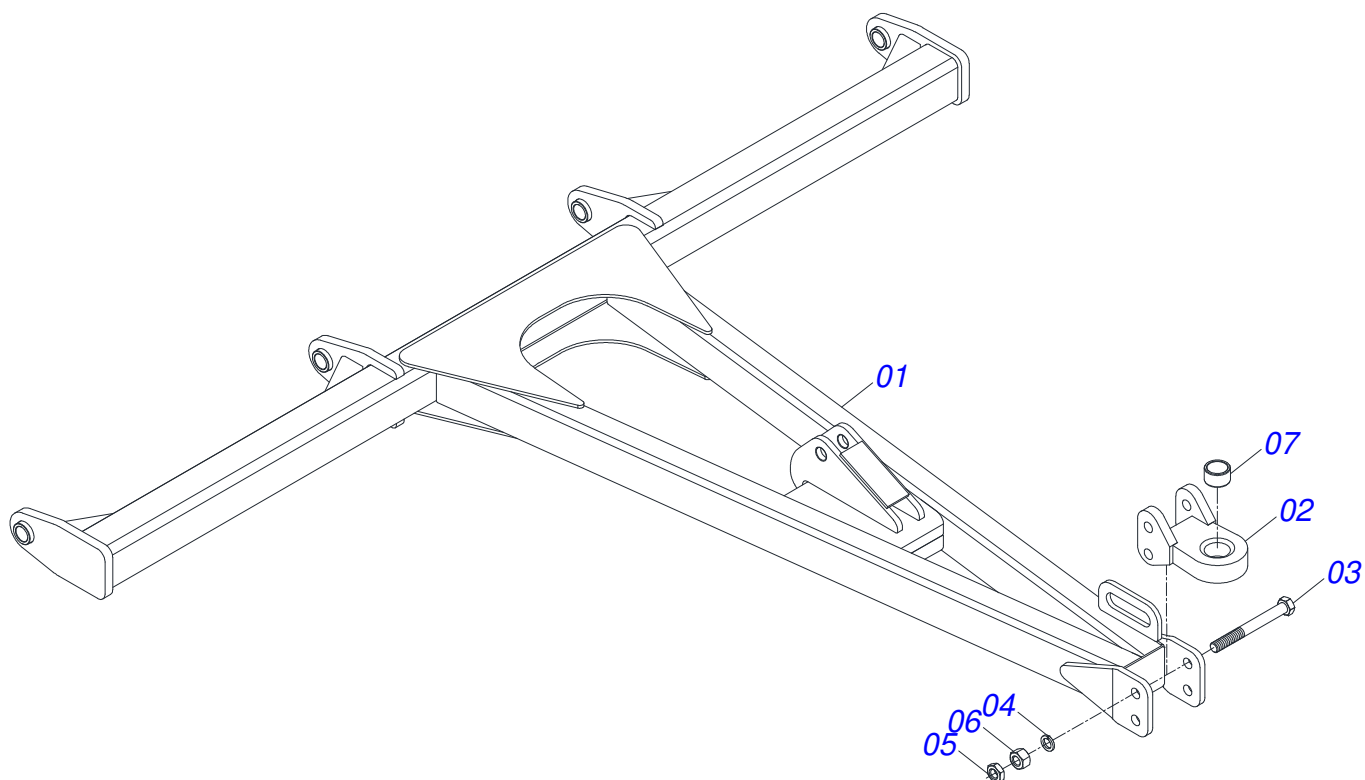
Item	Code	Description	See page	QT
01	0521066647	CARRYNG-WHEELS LEFT		01
02	0501051142	CARRYING WHEEL HUB	5	01
02A	0501110728	WHEEL HUB		01
02B	0503010006	32210 ROLLER BEARING		01
02C	0503010037	30207 ROLLER BEARING		01
02D	0503012928	SEAL		01
03	0501016545	FLAT WASHER		01
04	0503030009	1" CASTLE NUT		01
05	0503010018	5/32 X 1-1/2 COTTERPIN		01
06	0502020591	PROTECCION COVER		01
07	0503010358	5/16" X 5/8" BOLT		04
08	0503011444	SPRING WASHER		04
09	0503010002	1800 GREASE FITTING		02
10	0501810127	9/16UNFX1.78BOLT		06
11	0503810035	9/16 NF CONIC NUT		06



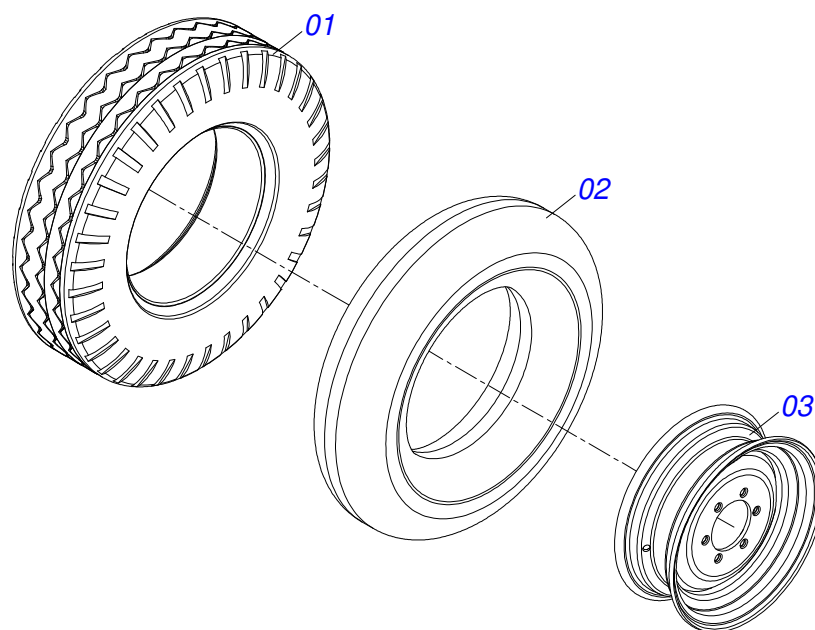
Item	Code	Description	See page	QT
01	0521066646	WHEELS RIGHT		01
02	0501051142	CARRYING WHEEL HUB	5	01
02A	0501110728	WHEEL HUB		01
02B	0503010006	32210 ROLLER BEARING		01
02C	0503010037	30207 ROLLER BEARING		01
02D	0503012928	SEAL		01
03	0501016545	FLAT WASHER		01
04	0503030009	1" CASTLE NUT		01
05	0503010018	5/32 X 1-1/2 COTTERPIN		01
06	0502020591	PROTECCION COVER		01
07	0503010358	5/16" X 5/8" BOLT		04
08	0503011444	SPRING WASHER		04
09	0503010002	1800 GREASE FITTING		02
10	0501810127	9/16UNFX1.7/8BOLT		06
11	0503810035	9/16 NF CONIC NUT		06



Item	Code	Description	See page	QT
01	0501110728	WHEEL HUB		01
01A	0502011121	CARRYING WHEEL HUB		01
01B	0501010127	9/16" X 1-7/8" LUG BOLT		06
01C	0503010035	9/16" CONIC NUT		06
02	0503010037	30207 ROLLER BEARING		01
03	0503010006	32210 ROLLER BEARING		01
04	0503012928	SEAL		01

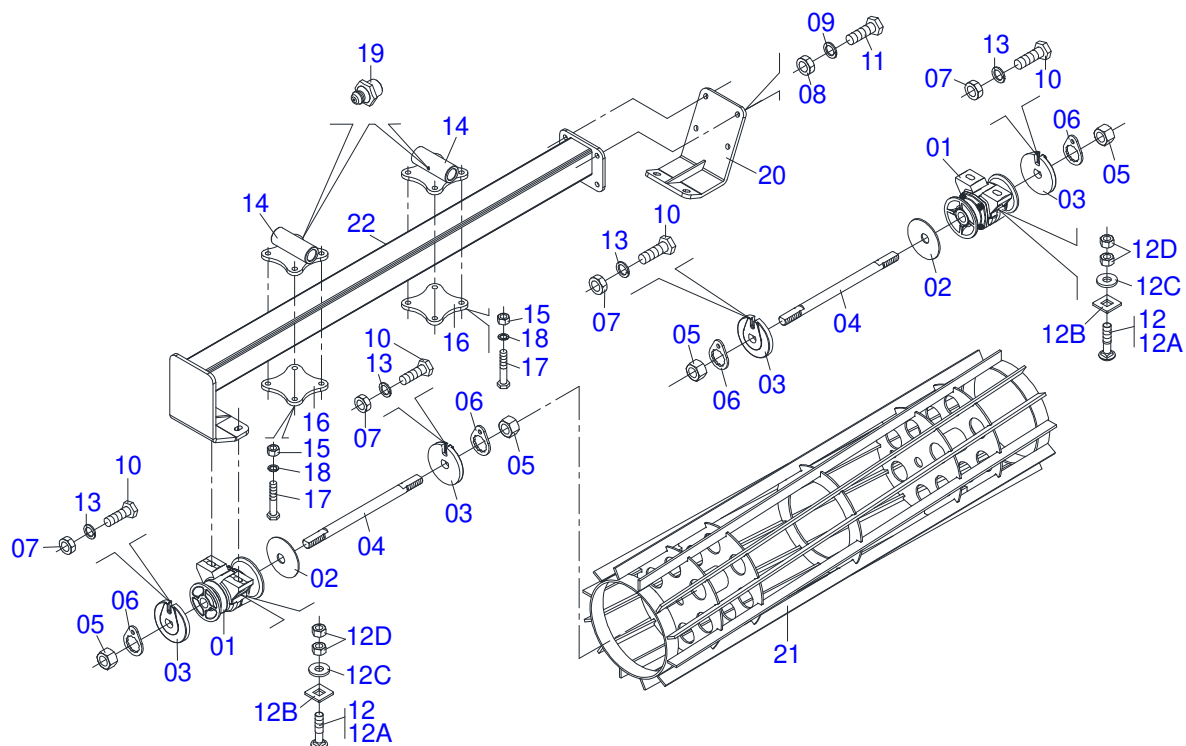


Item	Code	Description	See page	QT
01	0521066645	DRAWBAR AST/MATIC	01	01
02	0511068234	TRACTOR HITCH	01	01
03	0501010064	1" X 9" BOLT	02	02
04	0503011438	SPRING WASHER	02	02
05	0503013635	1" NUT	02	02
06	0501010059	1.5/8 NUT	02	02
07	0551018558	SLEEVE 39,00 X 51,00 X 36	01	01



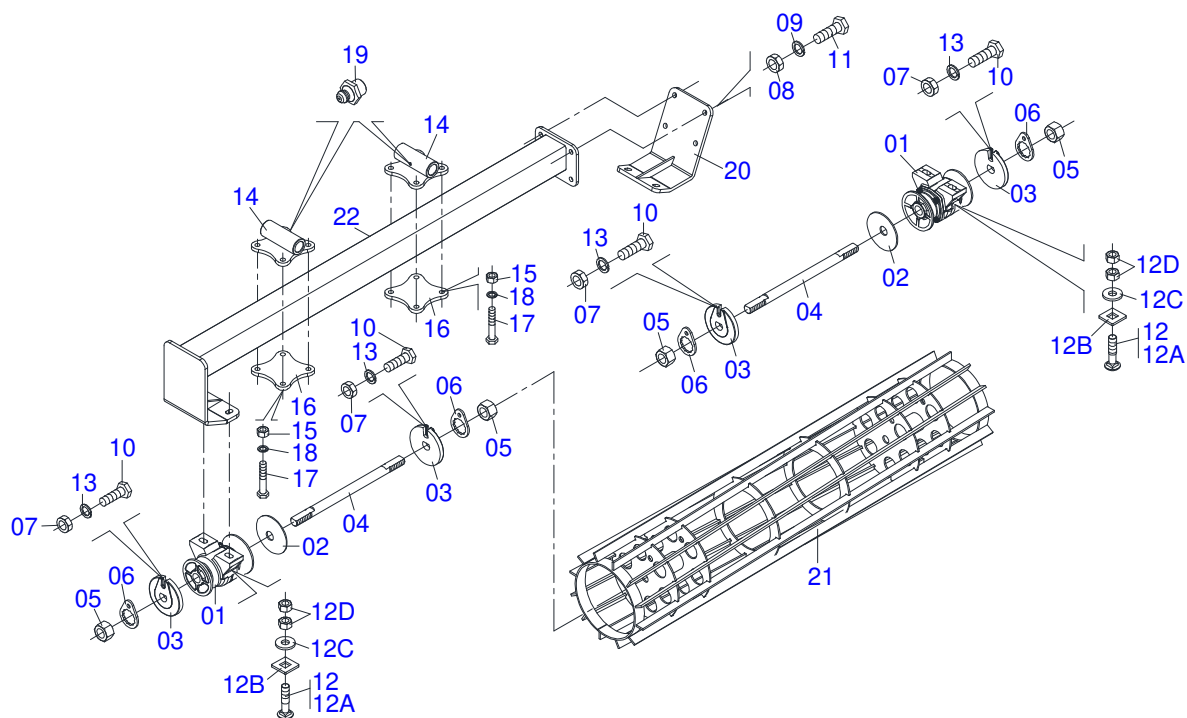
Item	Code	Description	See page	QT
01	0503012864	TYRE		01
02	0503010033	7.50 X 16 INNER TIRE		01
03	0521062708	WHEEL 5,50 X 16 X 118 X 6F 16,50 X 152,40		01

BREAK ROLLER



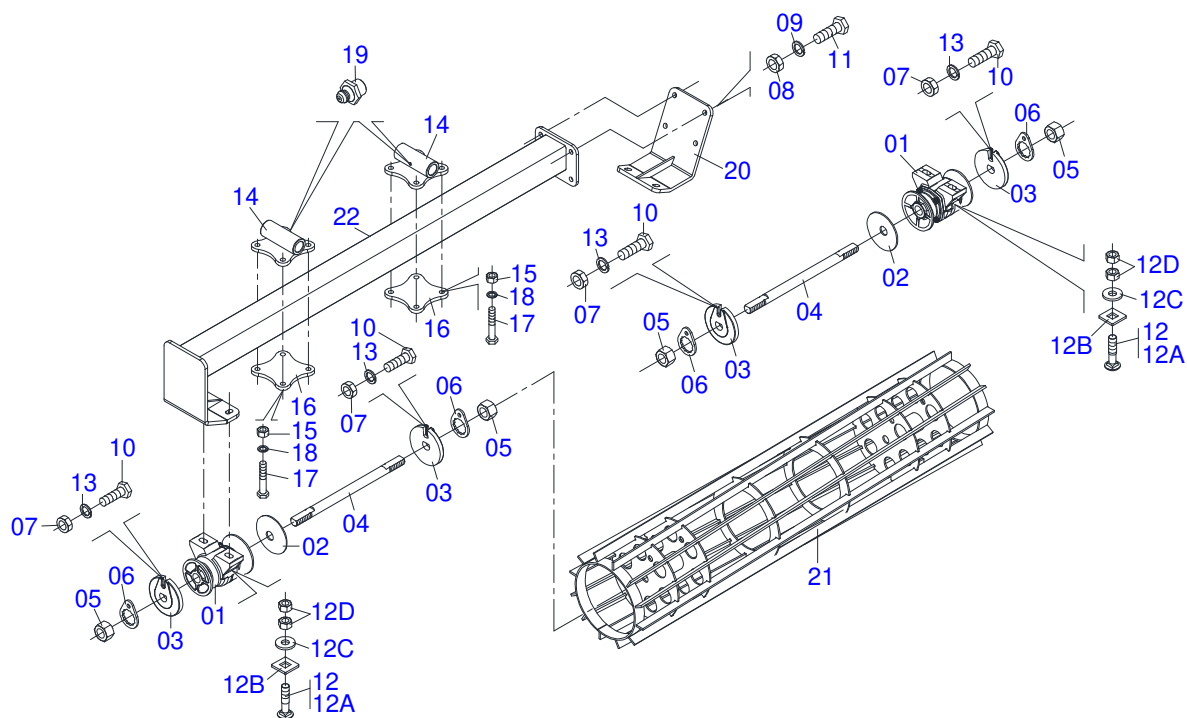
Item	Code	Description	See page	QT
001	0501046922	AGRICULTURAL BEARING DM OL 192.5 X 1.1/4 11 IMPLEMENT	02	02
002	0531018575	WASHER CONCAVE		02
003	1902010835	1-1/4" EXTERNAL AXLE WASHER		04
004	0501010752	1.1/4" X 500 AXLE		02
005	0501010087	1.1/4" NUT		04
006	0501010455	1.1/4" NUT LOCK		04
007	0503010060	1/2" NUT		04
008	0503010013	5/8" NUT		04
009	0503011445	SPRING WASHER		04
010	0501010161	1/2" X 1.1/4" BOLT		04
011	0503010232	5/8" X 1.3/4" BOLT		04
012	0501058802	5/8 UNC X 2.3/4 BOLT ASSY		04
012A	0503015154	5/8" X 2.3/4" BOLT		01
012B	0501010947	5/8 NUT LOCK		01
012C	0501012140	FLAT WASHER		01
012D	0503010013	5/8" NUT		02
013	0503011440	SPRING WASHER		04
014	0521065253	ROLLER FIXER		02
015	0503010013	5/8" NUT		08
016	0571017230	FIXER PLATE		02
017	0501013867	BOLT 5/8 UNC X 6 CS G.5 ZN		08
018	0503010027	5/8" SPRING WASHER		08
019	0503010002	1800 GREASE FITTING		02
020	0521062673	BRACKET MOBILE FIXER ROLLER		01
021	0521065547	ARM ROLLE ASSY		01
022	0521065550	BREAK ROLLER SUPPORT		01

BREAK ROLLER

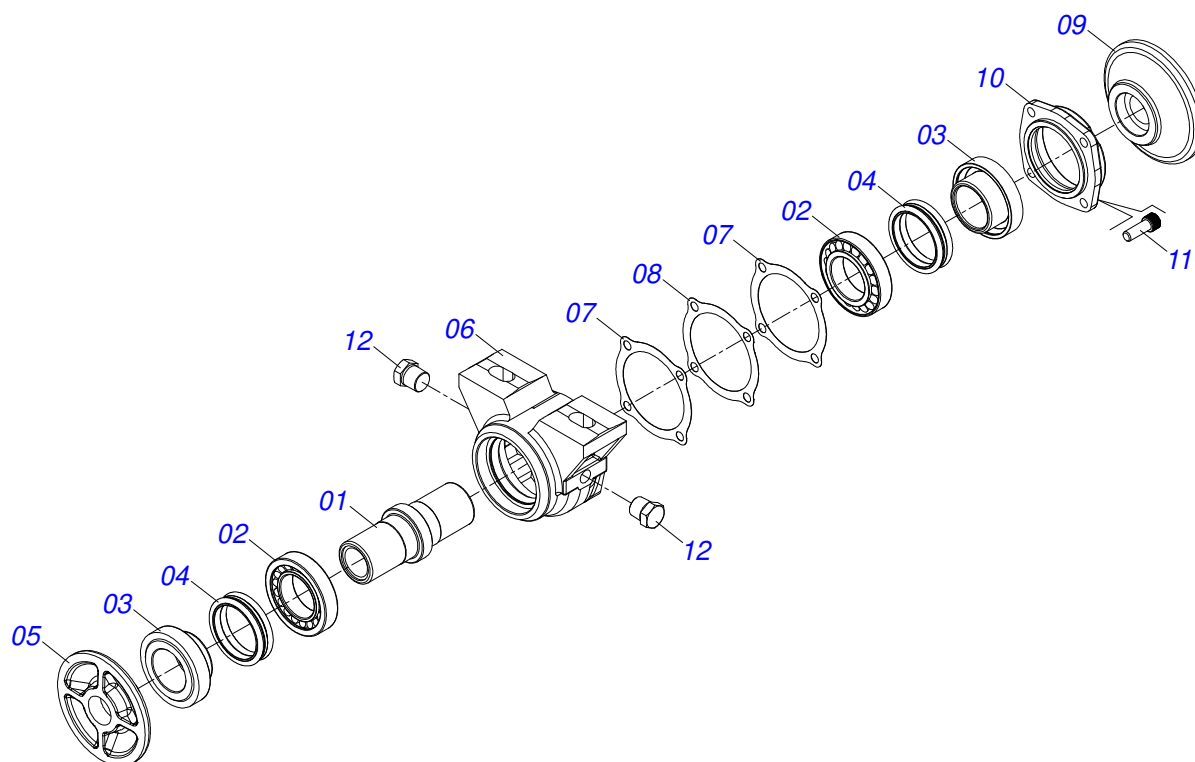


Item	Code	Description	See page	QT
001	0501046922	AGRICULTURAL BEARING DM OL 192.5 X 1.1/4	11	02
		IMPLEMENT		
002	0531018575	WASHER CONCAVE		02
003	1902010835	1-1/4" EXTERNAL AXLE WASHER		04
004	0501010752	1.1/4" X 500 AXLE		02
005	0501010087	1.1/4" NUT		04
006	0501010455	1.1/4" NUT LOCK		04
007	0503010060	1/2" NUT		04
008	0503010013	5/8" NUT		04
009	0503011445	SPRING WASHER		04
010	0501010161	1/2" X 1.1/4" BOLT		04
011	0503010232	5/8" X 1.3/4" BOLT		04
012	0501058802	5/8 UNC X 2.3/4 BOLT ASSY		04
012A	0503015154	5/8" X 2.3/4" BOLT		01
012B	0501010947	5/8 NUT LOCK		01
012C	0501012140	FLAT WASHER		01
012D	0503010013	5/8" NUT		02
013	0503011440	SPRING WASHER		04
014	0521065253	ROLLER FIXER		02
015	0503010013	5/8" NUT		08
016	0571017230	FIXER PLATE		02
017	0501013867	BOLT 5/8 UNC X 6 CS G.5 ZN		08
018	0503010027	5/8" SPRING WASHER		08
019	0503010002	1800 GREASE FITTING		02
020	0521062673	BRACKET MOBILE FIXER ROLLER		01
021	0521065548	BREAK ROLLER SUPPORT		01
022	0521065551	BREAK ROLLER SUPPORT 2030 EST/MATIC		01

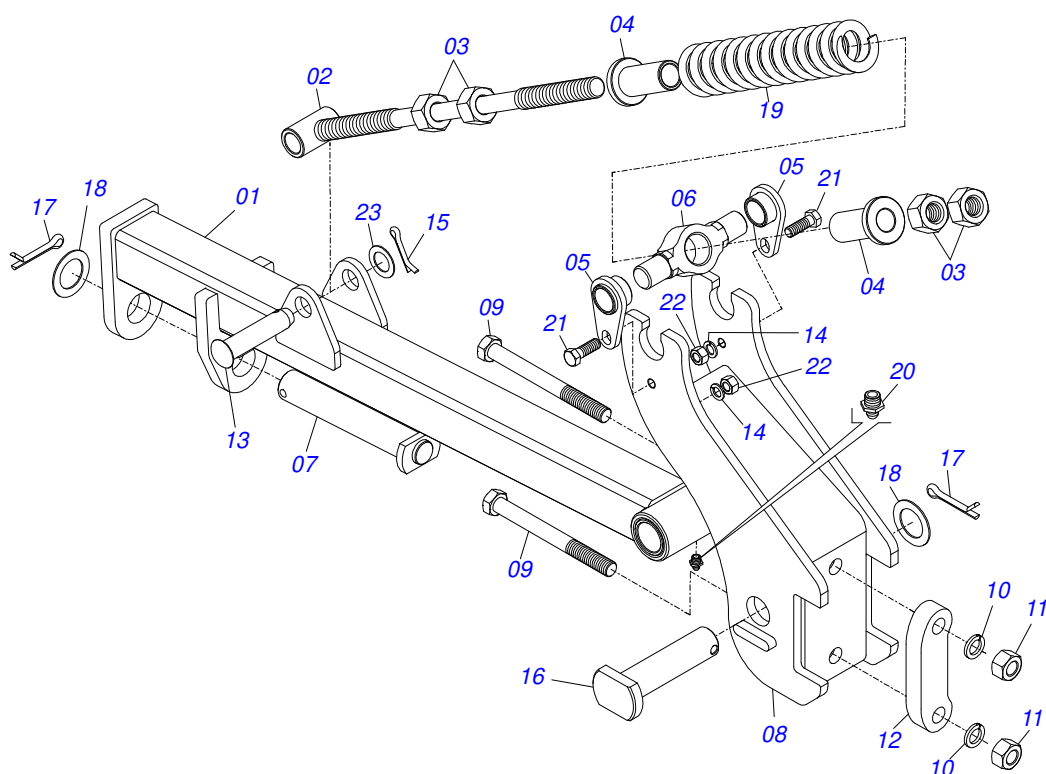
BREAK ROLLER



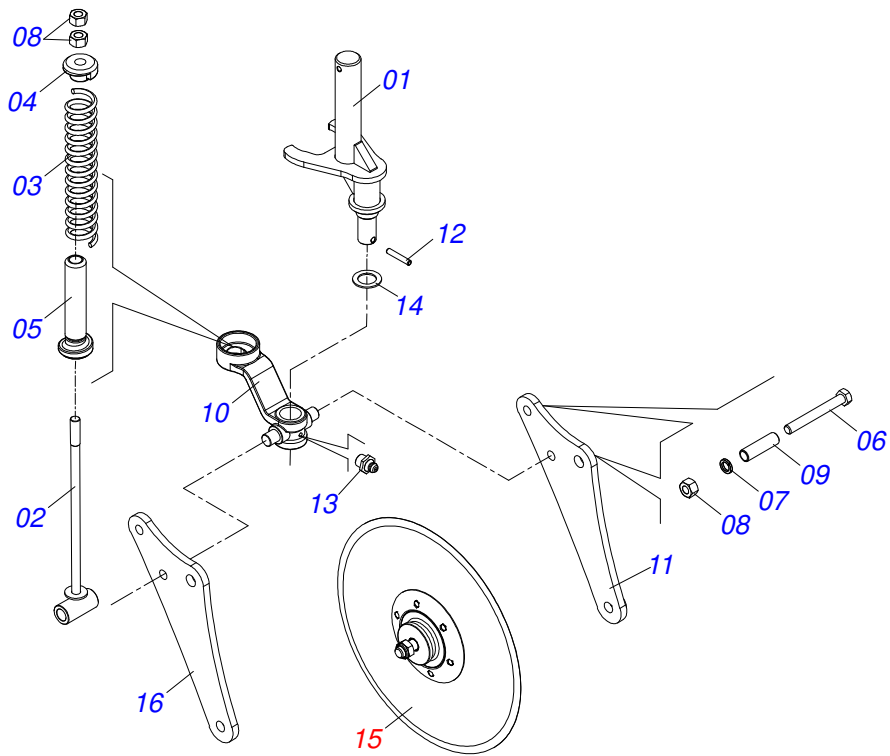
Item	Code	Description	See page	QT
001	0501046922	AGRICULTURAL BEARING DM OL 192.5 X 1.1/4	11	02
		IMPLEMENT		
002	0531018575	WASHER CONCAVE		02
003	1902010835	1-1/4" EXTERNAL AXLE WASHER		04
004	0501010752	1.1/4" X 500 AXLE		02
005	0501010087	1.1/4" NUT		04
006	0501010455	1.1/4" NUT LOCK		04
007	0503010060	1/2" NUT		04
008	0503010013	5/8" NUT		04
009	0503011445	SPRING WASHER		04
010	0501010161	1/2" X 1.1/4" BOLT		04
011	0503010232	5/8" X 1.3/4" BOLT		04
012	0501058802	5/8 UNC X 2.3/4 BOLT ASSY		04
012A	0503015154	5/8" X 2.3/4" BOLT		01
012B	0501010947	5/8 NUT LOCK		01
012C	0501012140	FLAT WASHER		01
012D	0503010013	5/8" NUT		02
013	0503011440	SPRING WASHER		04
014	0521065253	ROLLER FIXER		02
015	0503010013	5/8" NUT		08
016	0571017230	FIXER PLATE		02
017	0501013867	BOLT 5/8 UNC X 6 CS G.5 ZN		08
018	0503010027	5/8" SPRING WASHER		08
019	0503010002	1800 GREASE FITTING		02
020	0521062673	BRACKET MOBILE FIXER ROLLER		01
021	0521065479	DESTROYER ROLLER 2290		01
022	0521065480	BREAK ROLLER SUPPORT		01



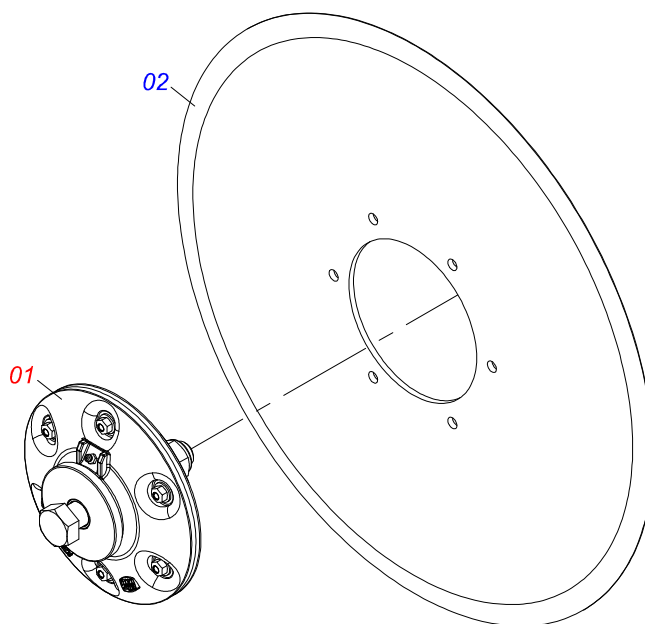
Item	Code	Description	See page	QT
01	0502040218	AXLE		01
02	0503010111	30210 ROLLER BEARING		02
03	0502010541	SEAL RETAINER		02
04	0503030026	SEAL LP JB-253		02
05	0502010071	INNER FLANGE		01
06	0502010540	HOUSING DM		01
07	0503030013	4.4" X 3.5" X 0.004" JOINT		02
08	0503030684	4.4" X 3.5" X 0.004" JOINT		01
09	0502010070	OUTER FLANGE		01
10	0502020424	HOUSING CAP		01
11	0503010134	3/8" X 1" BOLT		04
12	0503010856	OIL PLUG		02
13	3402301247	MINERAL OIL GREASE		0,11Lts



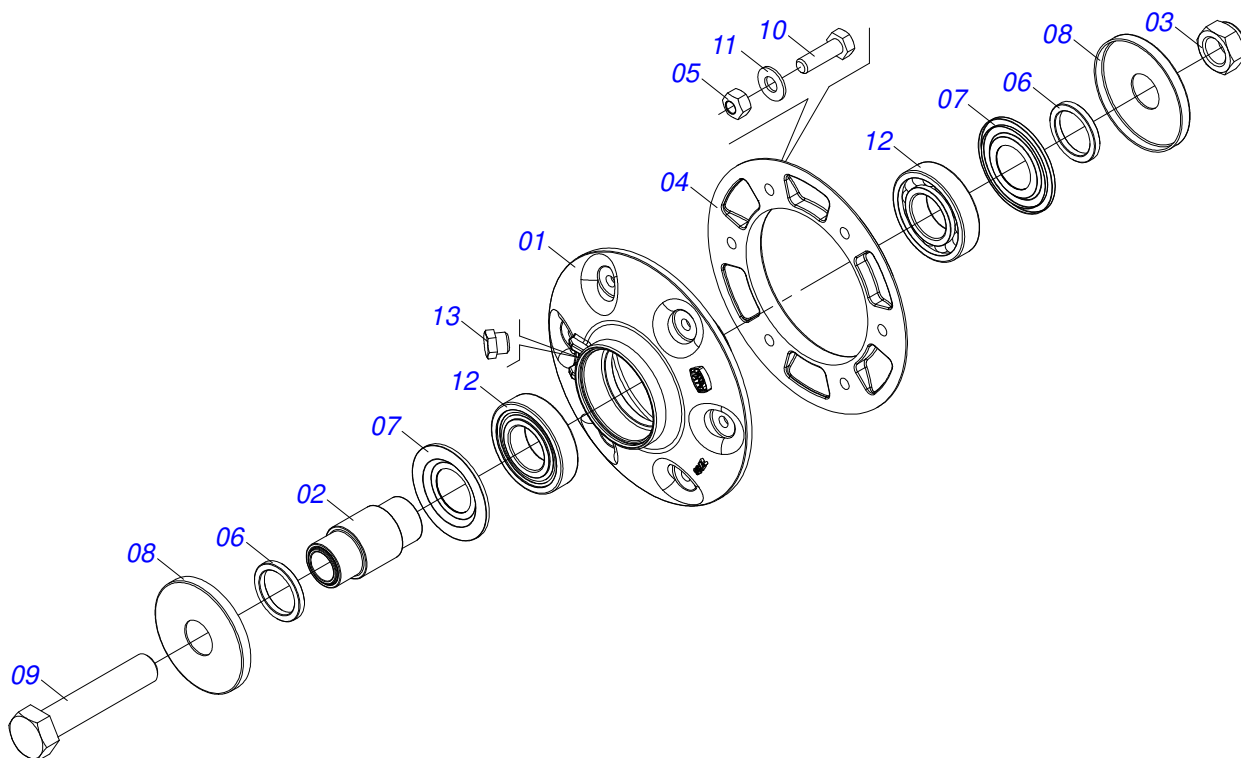
Item	Code	Description	See page	QT
01	0521066652	ARM ROLLER		01
02	0521065532	ROD SPRING		01
03	0501010059	1.5/8 NUT		04
04	0571011377	SPRING GUIDES SLEVE		02
05	0521063151	TRUNNION LOCK ARTICULATOR SPRING ROD		02
06	0571011378	TRUNNION ARTICULATOR SPRING ROD		01
07	0521062685	ARTICULATION AXIS		01
08	0521065529	FIXATION SUPPORT		01
09	0503014744	3/4 UNF X 7.1/2 C S G.7 ZN BOLT		02
10	0503010023	3/4" SPRING WASHER		02
11	0503010335	3/4"NUT		02
12	0571011609	FIXER PLATE CUTTING DISC		01
13	0521010578	COUPLING SHAFT		01
14	0503010019	1/2" SPRING WASHER		02
15	0503010523	1/4" X 2" COTTERPIN		01
16	0521010808	1.4" X 5.8" COUPLING SHAFT		01
17	0503012267	5/16" X 3" COTTER PIN		02
18	0511019685	FLAT WASHER		02
19	0503031575	2.5"X 12" X 0.5" COMPRESSION SPRING		01
20	0503010002	1800 GREASE FITTING		01
21	0503010920	1/2" X 1.1/2" BOLT		02
22	0503010060	1/2" NUT		02
23	0511015346	FLAT WASHER		01



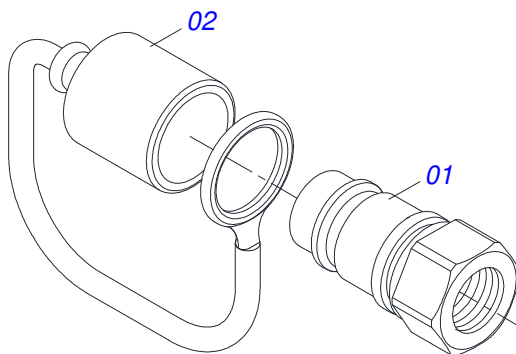
Item	Code	Description	See page	QT
01	0521065732	BLADE DISC AXLE ASSY		01
02	0511060915	ROD SPRING		01
03	0503031679	COMPRES SPRING		01
04	1902020393	SPRING UPPER SUPPORT		01
05	0511061576	SPRING GUIDE		01
06	0503011198	C3/4" X 6" SCREW		02
07	0503011442	3/4" SPRING WASHER		02
08	0503010014	3/4" NUT		04
09	0521010452	SLEEVE		02
10	0502012817	DISC BLADE SUPPORT		01
11	0571018178	DISC BLADE ARM		01
12	0503010361	SPRING PIN		01
13	0503010002	1800 GREASE FITTING		01
14	0541018684	FLAT WASHER		01
15	0511058648	BOX WITH DISC BLADE 20	14	01
16	0521065733	DISC BLADE ARM		01



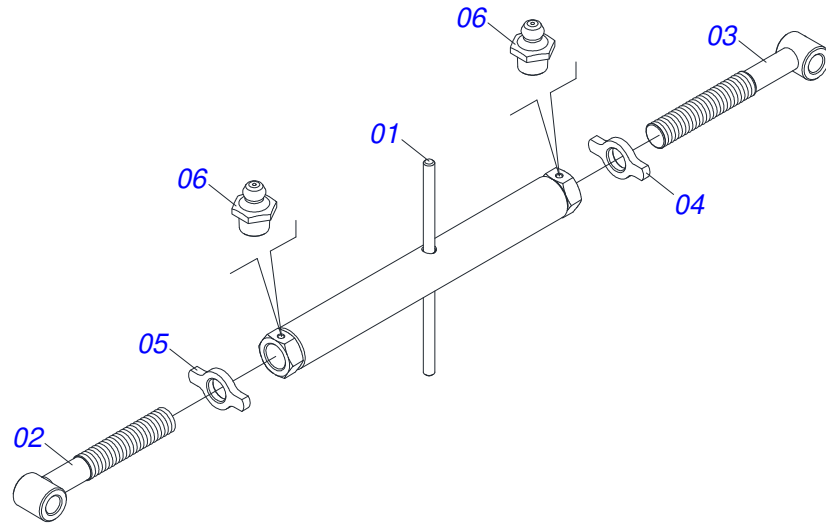
Item	Code	Description	See page	QT
01	0511056909	DISC BOX CUT WITHOUT THE DISC	15	01
02	0603027851	20" X 0.2" FLAT PLAIN DISC		01



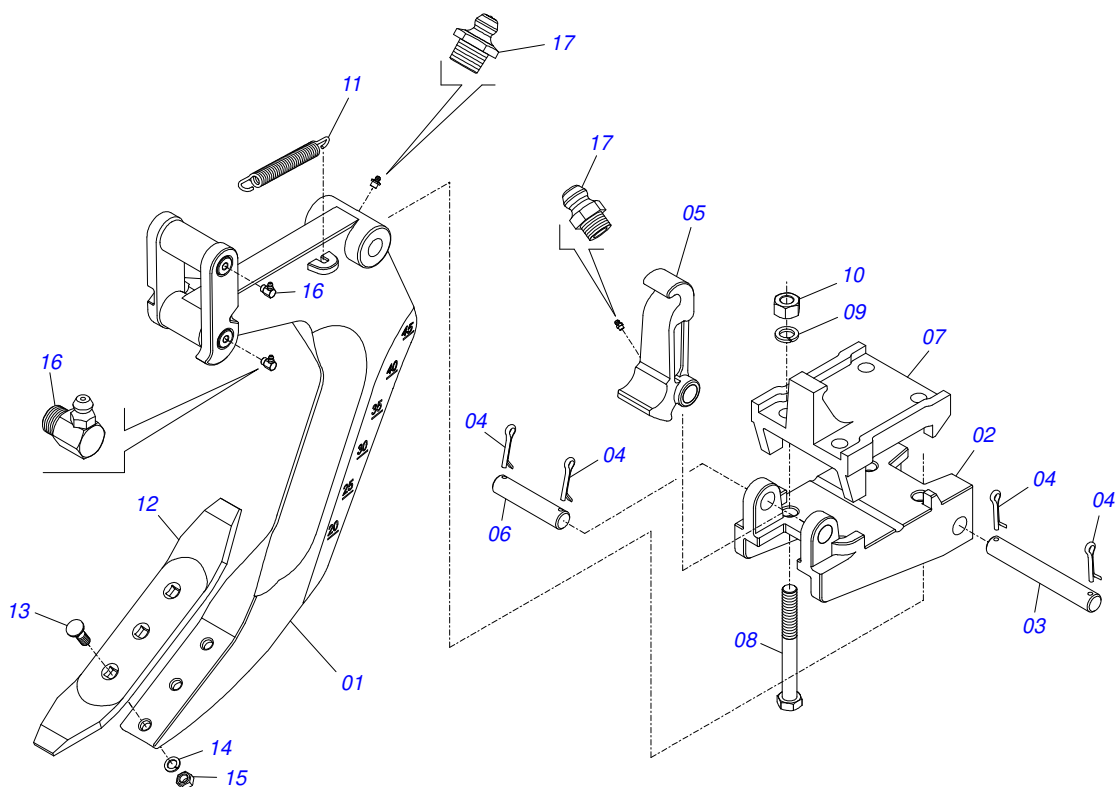
Item	Code	Description	See page	QT
01	0502012793	DC PST		01
02	0571018047	CUTTING DISC BOX SHAFT		01
03	0503017755	NUT		01
04	0502020641	BLADE DISC FLANGE		01
05	0503013816	5/16" LOCKNUT		06
06	0571018048	BACKREST WASHER		02
07	0521065882	NILOS SEALING RING		02
08	0571018049	DOOR DUST		02
09	0581010575	7/8" X 145 BOLT		01
10	0503018825	5/16 UNC UNC BOLT		06
11	0501010694	8.5 X 18 X 1.5 FLAT WASHER		06
12	0503016061	BEARING		02
13	0511017907	1/8" BSPT X 6 PLUG		01



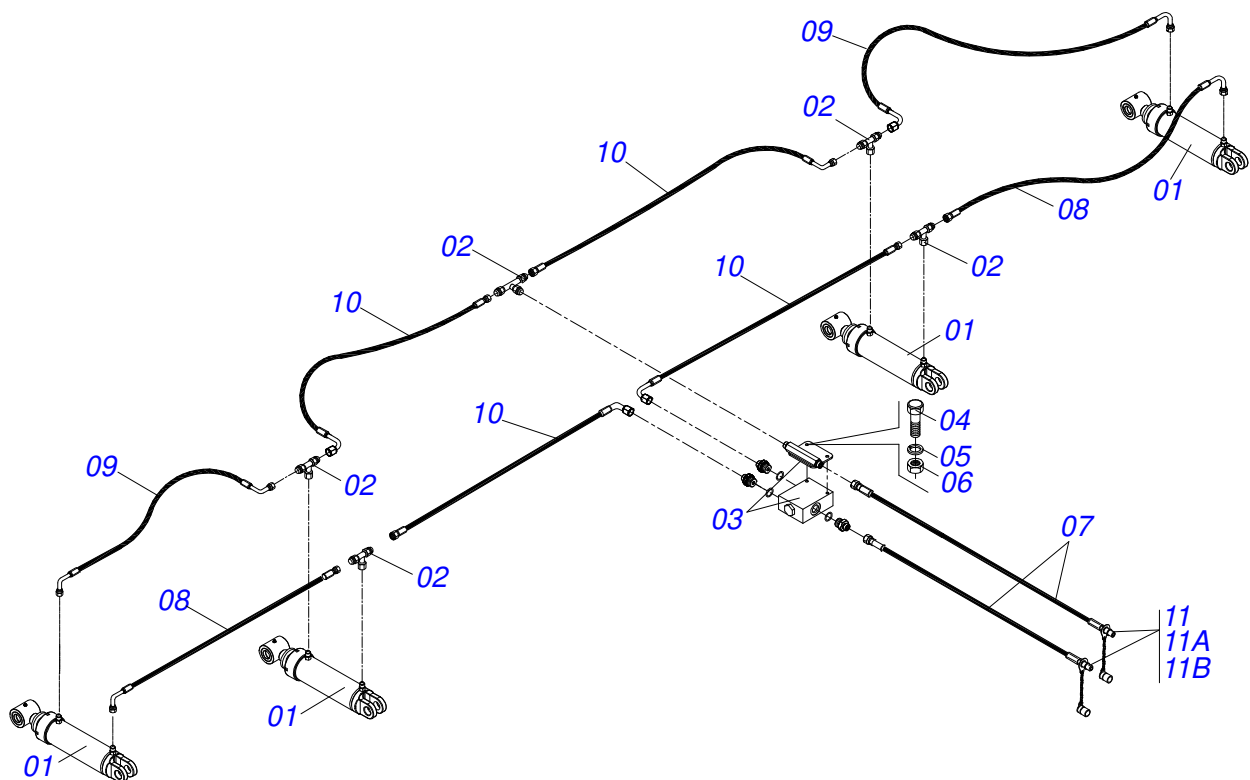
Item	Code	Description	See page	QT
01	0503011627	MALE QUICK COUPLER AGR 1/2 NPT		01
02	0503011882	MALE QUICK COUPLER CAP		01



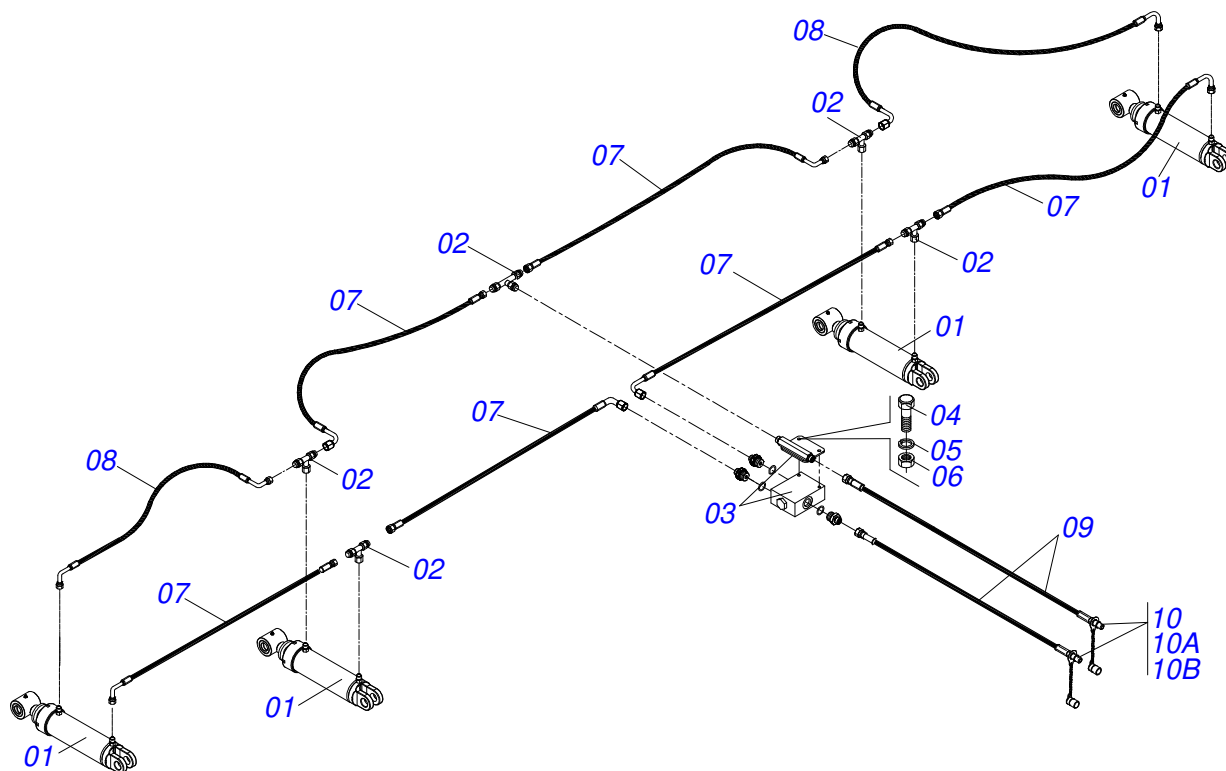
Item	Code	Description	See page	QT
01	0511063786	EXTENDER 950		01
02	0511063787	RIGHT EXTENDER SPINDLE R1.1/2 X 432		01
03	0511063788	LEFT EXTENDER SPINDLE R1.1/2 X 432		01
04	0541018672	COUNTERNUT		01
05	0541018673	COUNTERNUT		01
06	0503010002	1800 GREASE FITTING		02



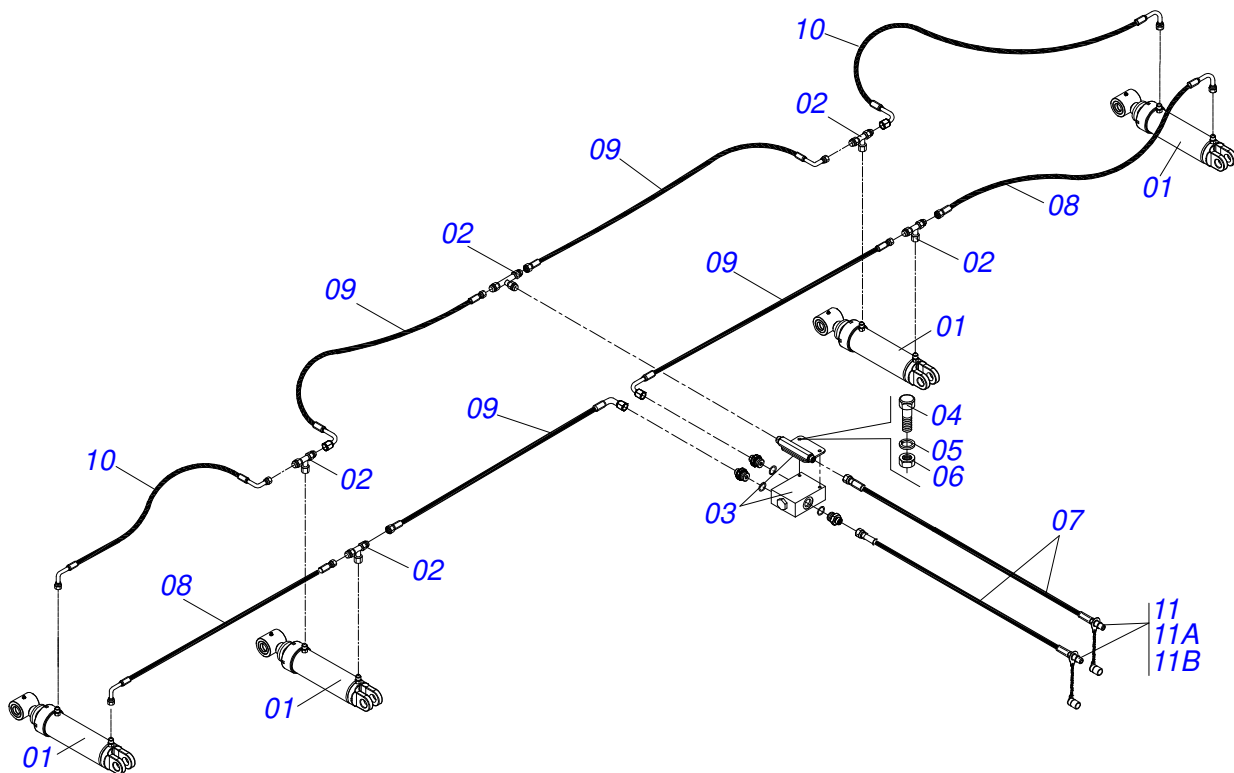
Item	Code	Description	See page	QT
01	0511061712	ARM SUBSOILER		01
02	0502012692	FIXING BASE		01
03	0521017725	1" X 7.4" COUPLING SHAFT		02
04	0503010571	1/4" X 1.1/2" COTTERPIN		04
05	0502011864	AST/MATIC 450 RESET		01
06	0521017724	1" X 6.2" COUPLING SHAFT		01
07	0502012691	FIXER BASE UPPER		01
08	0503012729	3/4" X 6-3/4" BOLT		04
09	0503011442	3/4" SPRING WASHER		04
10	0503010014	3/4" NUT		08
11	0503031574	6.9" X 0.8" X 0.1" EXTENSION SPRING		01
12	0624010005	POINT SUBSOILER 16"X3"X1/2" E019		01
13	0503012956	1/2" X 1-1/2" BOLT		03
14	0503011440	SPRING WASHER		03
15	0503010020	1/2"NUT		03
16	0503010004	1890 GREASE FITTING		01
17	0503010002	1800 GREASE FITTING		02



Item	Code	Description	See page	QT
01	0521045737	HYDRAULIC CILINDER 44,45 X 85,72 X 515 X 205	2	04
02	0503037376	3/4" T ADAPTER WITH SWIVEL NUT		05
03	0511057534	FLOW DIVIDING VALVE		01
04	0503010751	C3/8" X 1.1/4" HEX BOLT G.5		02
05	0503010025	3/8" SPRING WASHER		02
06	0503010026	3/8" NUT		08
07	0501080509	TR-TM HOSE ASSY		02
08	0501080461	3/8 X 1800 TR-TC HOSE ASSY		02
09	0501080393	3/8 X 2200 TC-TC HOSE		02
10	0501080025	TR-TC HOSE ASSY		04
11	0501053834	MALE QUICK COUPLER WITH CAP - 1/2 NPT	16	02
11A	0503011627	MALE QUICK COUPLER AGR 1/2 NPT		02
11B	0503011882	MALE QUICK COUPLER CAP		02



Item	Code	Description	See page	QT
01	0521045737	HYDRAULIC CILINDER 44,45 X 85,72 X 515 X 205	2	04
02	0503037376	3/4" T ADAPTER WITH SWIVEL NUT		05
03	0511057534	FLOW DIVIDING VALVE		01
04	0503010751	C3/8" X 1.1/4" HEX BOLT G.5		02
05	0503010025	3/8" SPRING WASHER		02
06	0503010026	3/8" NUT		08
07	0501080461	3/8 X 1800 TR-TC HOSE ASSY		06
08	0501080393	3/8 X 2200 TC-TC HOSE		02
09	0501080509	TR-TM HOSE ASSY		02
10	0501053834	MALE QUICK COUPLER WITH CAP - 1/2 NPT	16	02
10A	0503011627	MALE QUICK COUPLER AGR 1/2 NPT		02
10B	0503011882	MALE QUICK COUPLER CAP		02



Item	Code	Description	See page	QT
01	0521045737	HYDRAULIC CILINDER 44,45 X 85,72 X 515 X 205	2	04
02	0503037376	3/4" T ADAPTER WITH SWIVEL NUT		05
03	0511057534	FLOW DIVIDING VALVE		01
04	0503010751	C3/8" X 1.1/4" HEX BOLT G.5		02
05	0503010025	3/8" SPRING WASHER		02
06	0503010026	3/8" NUT		08
07	0501080509	TR-TM HOSE ASSY		02
08	0501080461	3/8 X 1800 TR-TC HOSE ASSY		02
09	0501080450	TR-TC HOSE ASSY		02
10	0501080393	3/8 X 2200 TC-TC HOSE		04
11	0501053834	MALE QUICK COUPLER WITH CAP - 1/2 NPT	16	02
11A	0503011627	MALE QUICK COUPLER AGR 1/2 NPT		02
11B	0503011882	MALE QUICK COUPLER CAP		02



MARCHESAN

Technical Publications | Elaboration and Revision

ALESSANDRA PATRICIA KAWAHARA CARRILI

www.marchesan.com.br

