

PARTS CATALOG

AUXILIARY PRODUCTS

LTA 5000 S

Code: 0501091444



Series: S-0515

Review: AGOSTO/2015

ORIGINAL PARTS
TATU



PRODUCTS

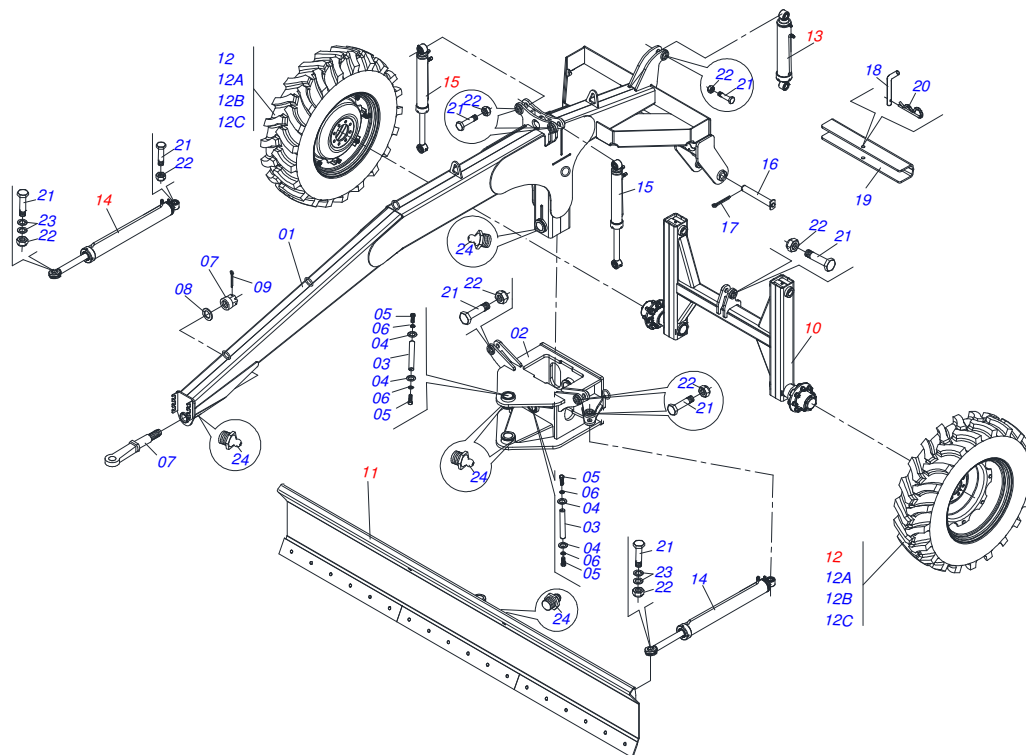
Code	Description
0106060044	LTA 5000 S S-0515

ATTENTION: **IMPORTANT**

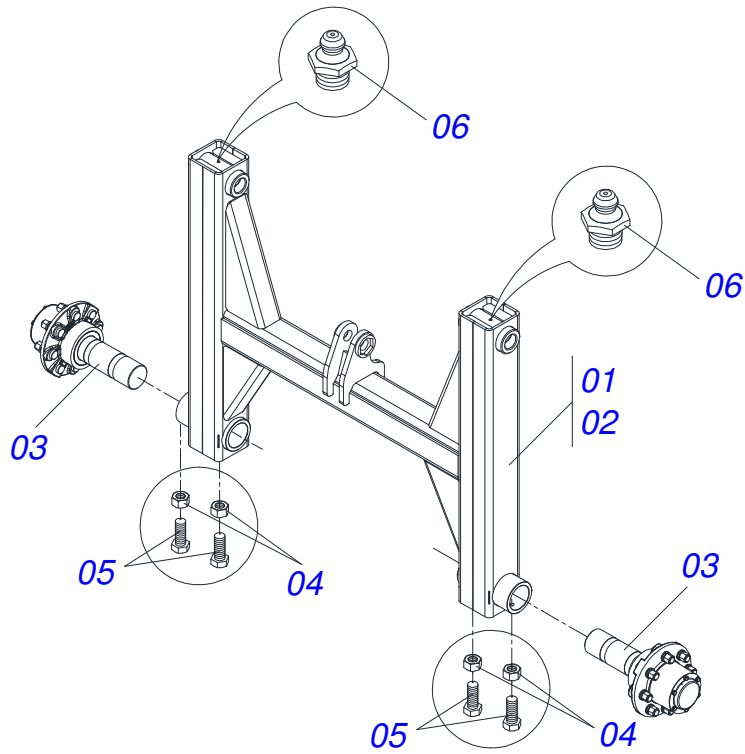
MARCHESAN S/A RESERVES THE RIGHT AT ANY TIME TO MAKE IMPROVEMENTS IN THE DESIGN, MATERIAL OR SPECIFICATIONS OF MACHINERY, EQUIPMENT OR PARTS WITHOUT THEREBY BECOMING LIABLE TO MAKE SIMILAR CHANGES IN MACHINERY, EQUIPMENT OR PARTS PREVIOUSLY SOLD.

INDEX

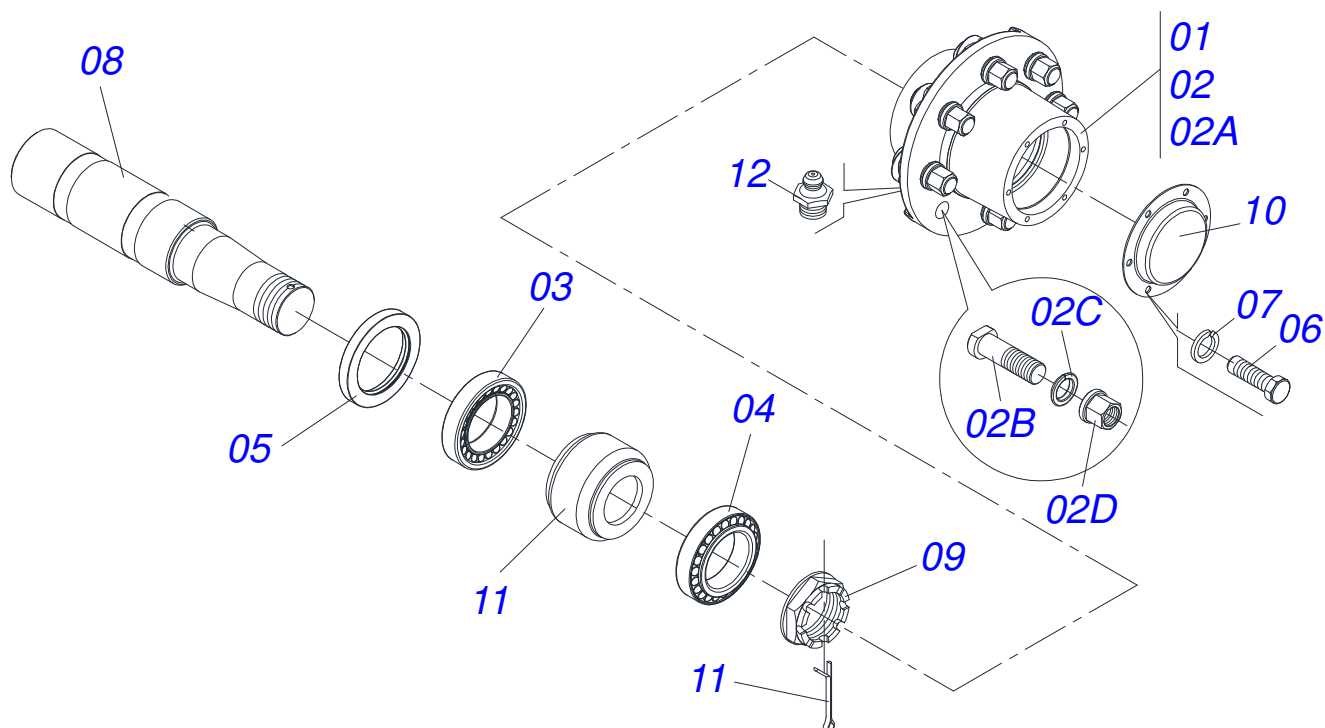
0909091868	ASSY FRAME	1
0521045486	STUB SHAFT HUB ASSY	2
0511050710	STUB SHAFT HUB (430)	3
0521045644	DOZER BLADE ASSY	4
0521045491	HYDRAULIC CYLINDER 44,45 X 101,60 X 711 X 425	5
0521045490	HYDRAULIC CYLINDER 50,80 X 101,60 X 1130 X 813	6
0511058457	HYDRAULIC CYLINDER	7
0909091869	HYDRAULIC CIRCUIT	8



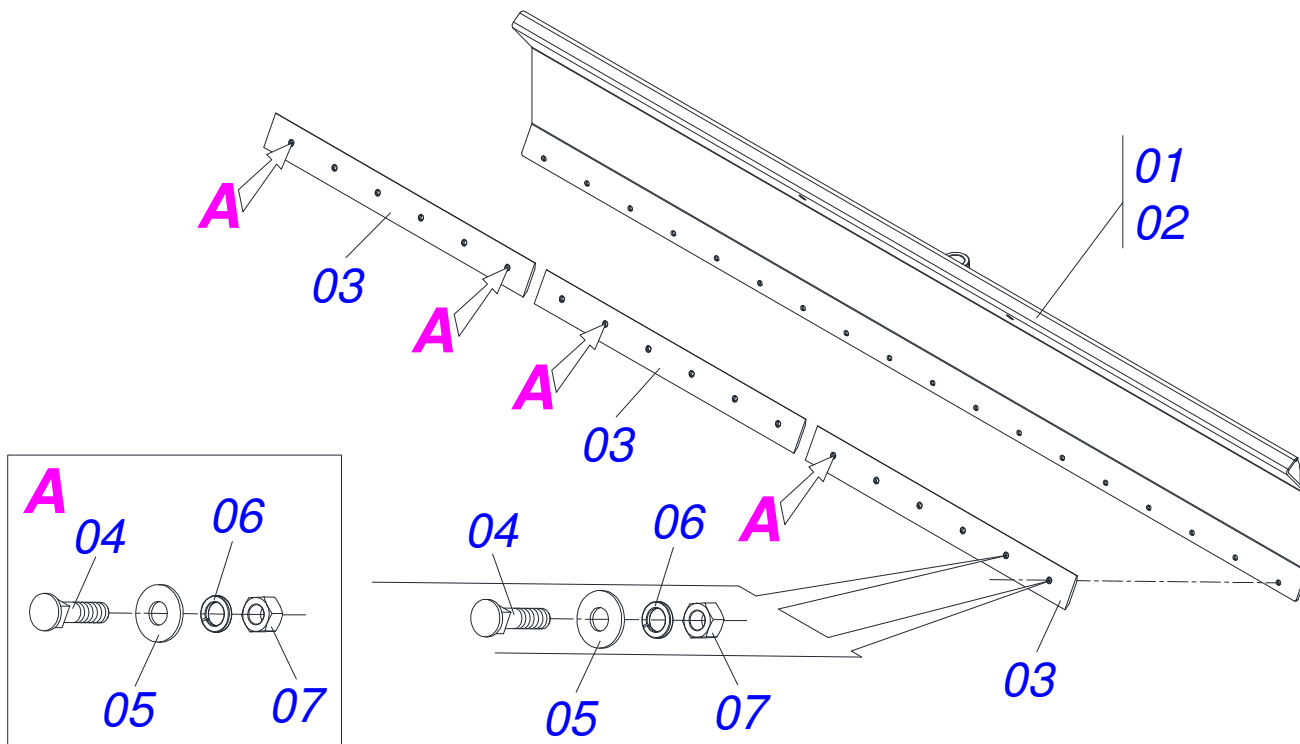
Item	Code	Description	QT
01	0521065968	FRAME LTA 5000 S	01
02	0521065915	FIXER SUPPORT DOZER BLADE	01
03	0541011899	2.9" X 20" COUPLING SHAFT	02
04	0511013244	FLAT WASHER	04
05	0503011250	1" X 2" BOLT	04
06	0503010012	1" SPRING WASHER	04
07	0503061649	PONTEIRA HITCH SILPA	01
08	0511019776	FLAT WASHER	01
09	0503012213	1/4" X 4 COTTERPIN	01
10	0521045486	STUB SHAFT HUB ASSY	01
11	0521045644	DOZER BLADE ASSY	01
12	0511057177	WHEEL AND TIRE 14,9 X 28 8 CANVAS	02
12A	0503011316	TIRE 8	02
12B	0503011317	INNER TIRE	02
12C	0511058891	WHEEL W-12 X 28 (LTA)	02
13	0521045491	HYDRAULIC CYLINDER 44,45 X 101,60 X 711 X 425	01
14	0521045490	HYDRAULIC CYLINDER 50,80 X 101,60 X 1130 X 813	02
15	0511058457	HYDRAULIC CYLINDER	02
16	0521063252	50,85 X 332 AXLE	02
17	0503010073	3/8 X 3-1/2 COTTERPIN	02
18	0541016844	FIXER LOCK	01
19	0571018950	LOCK TRANSPORT 430 X 47	01
20	0503030285	HAIR PIN	01
21	0571018948	1.1/4 UNF X 112 BOLT	10
22	0503010044	1-1/4" SELF-ADJUSTING NUT	10
23	0571019268	FLAT WASHER 38,50 X 50 X 6,30	04
24	0503010002	1800 GREASE FITTING	07



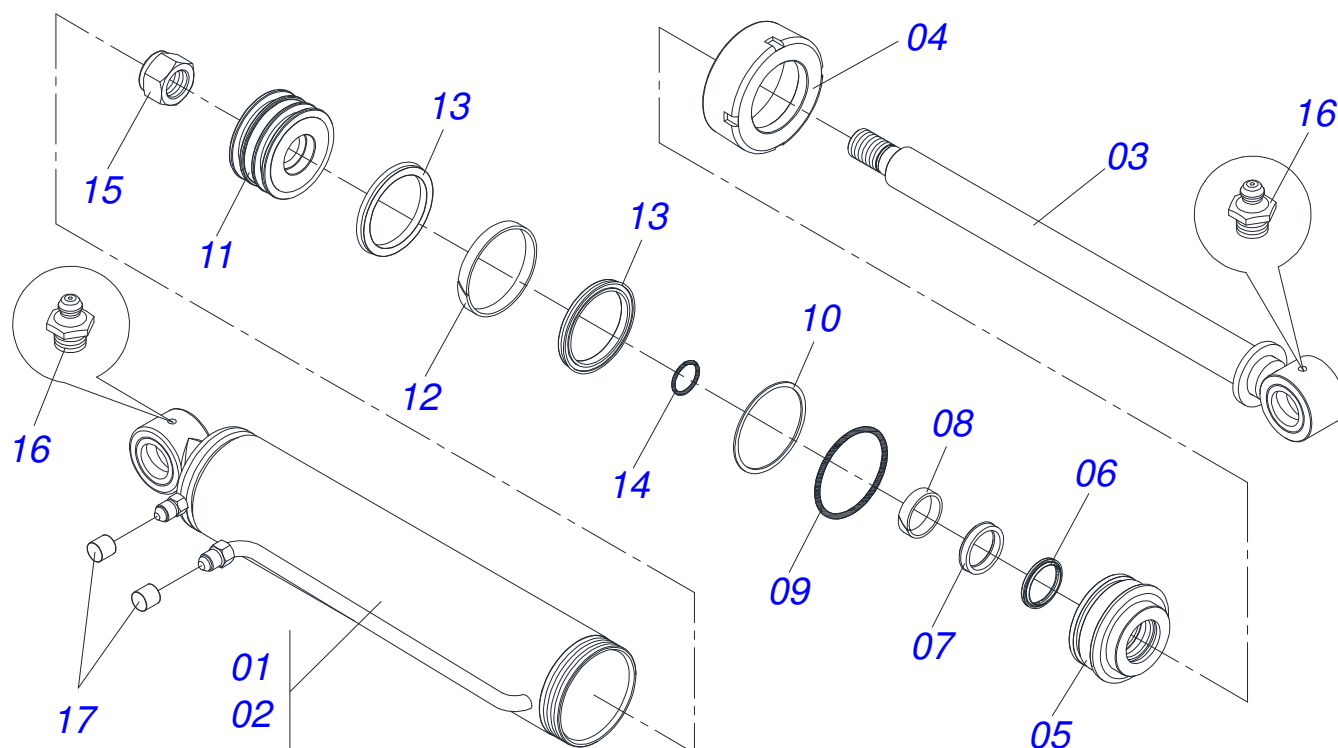
Item	Code	Description	QT
01	0521045486	STUB SHAFT HUB ASSY	01
02	0521065912	WHEEL LTA	01
03	0511050710	STUB SHAFT HUB (430)	02
04	0503010013	5/8" NUT	04
05	0571018726	BOLT 5/8 UNC X 1.3/4 CS	04
06	0503010002	1800 GREASE FITTING	02



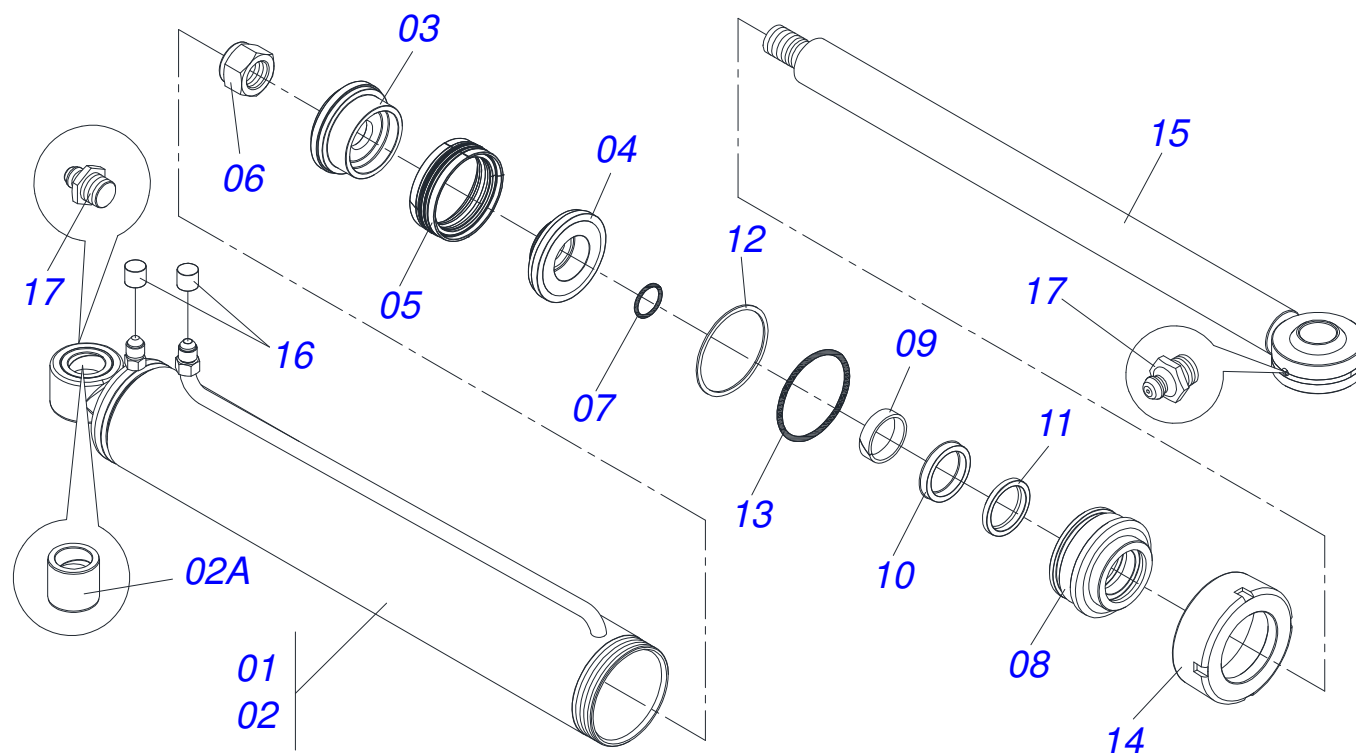
Item	Code	Description	QT
01	0511050710	STUB SHAFT HUB (430)	01
02	0501110751	HUB AND SPINDLE WITH BOLT	01
02A	0502010522	WHEEL HUB	01
02B	0503011339	M22 X 1,5 X 72 BOLT	08
02C	0503011340	SPHERICAL SPRING WASHER	08
02D	0503011341	M22 X 0.6" NUT GR8 NUT	08
03	0503010059	33287/33462 ROLLER BEARING	01
04	0503010007	3982/3920 ROLLER BEARING	01
05	0503010050	SEAL 00085-B	01
06	0503010240	5/16" X 3/4" BOLT	06
07	0503011444	SPRING WASHER	06
08	0561018159	POINT AXIS 88,80 X 430	01
09	0502040080	2.1/2" UM FLANGE NUT	01
10	0541013225	WHEEL BOX COVER	01
11	0503011345	1/4" X 3-1/2" COTTERPIN	01
12	0503010002	1800 GREASE FITTING	01



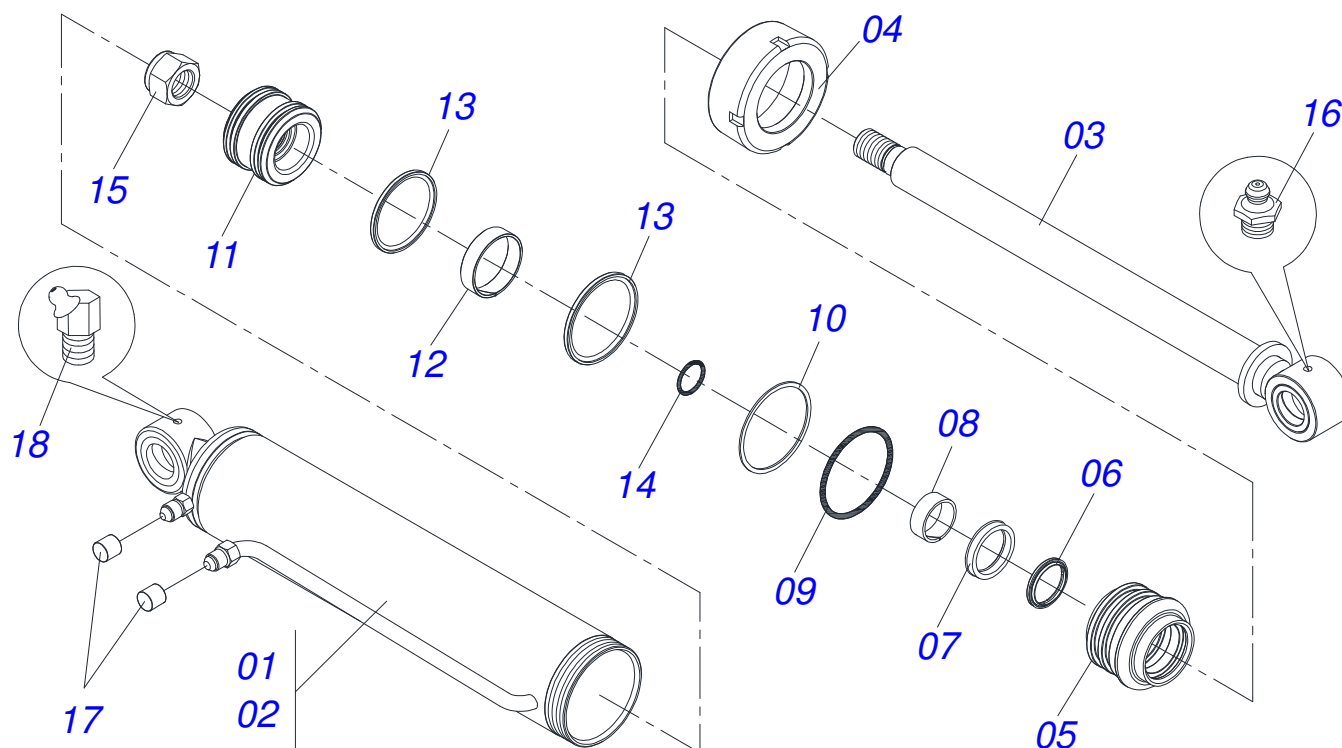
Item	Code	Description	QT
01	0521045644	DOZER BLADE ASSY	01
02	0521065905	DOZER BLADE 4480 X 722	01
03	0571018949	SCRAPER 1500 X 6 X 1/2	03
04	0501012240	5/8" X 2-1/2" BOLT	18
05	0571010265	FLAT WASHER	18
06	0503010027	SPRING WASHER	18
07	0503010013	5/8" NUT	18



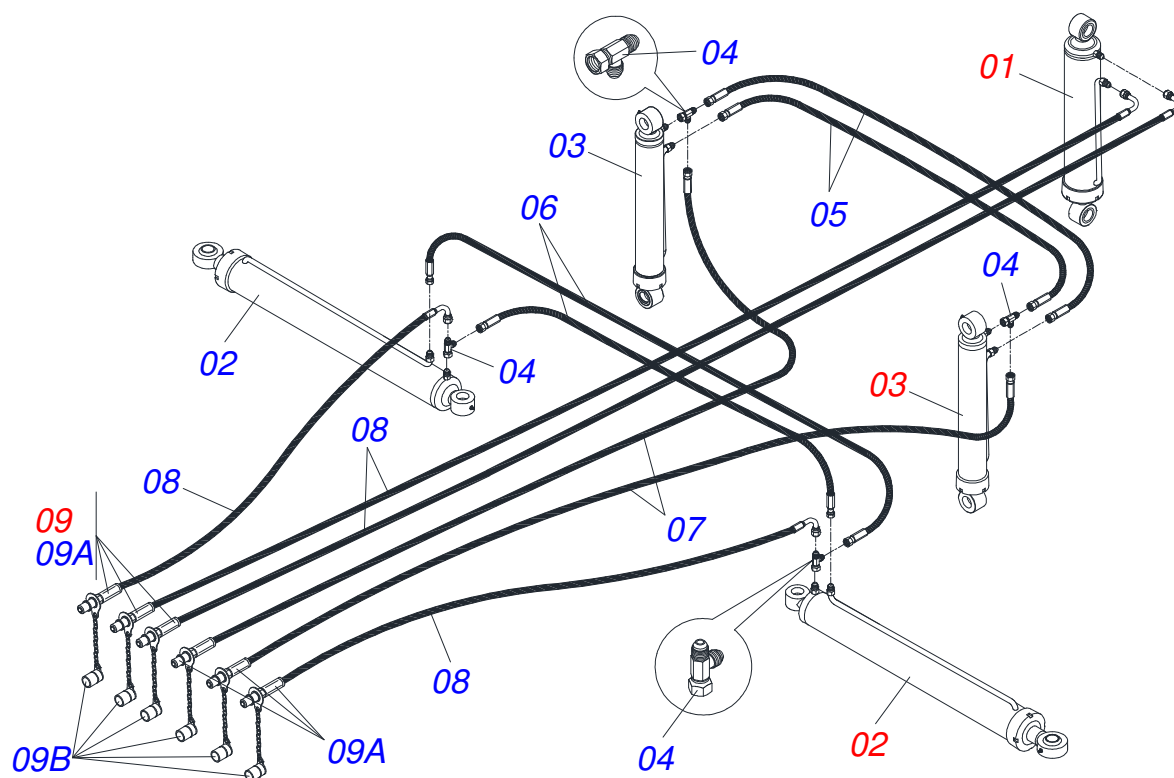
Item	Code	Description	QT
01	0521045491	HYDRAULIC CYLINDER 44,45 X 101,60 X 711 X 425	01
02	0521065925	CASE 101,60 X 532	01
03	0521065969	TURNBUCLE 44,45 X 602	01
04	0502010017	4" HEAD	01
05	0571015239	RING SUPPORT	01
06	0503010761	D-1750 SCRAPER RING	01
07	0503010990	GASKET	01
08	0503010949	W2-2000-500 PK RING G.E	01
09	0503010338	2-342 N 3006-9B O'RING	01
10	0503011061	8-342 BACK-UP RING	01
11	0571015240	PISTON	01
12	0503010994	W2-4000-500 PK RING G.E	01
13	0503010043	PACKING 3750-3250	02
14	0503010345	2-218 N 3006-9B O'RING	01
15	0503010817	1-1/4" SELF-ADJUSTING NUT	01
16	0503010002	1800 GREASE FITTING	02
17	0503030385	PLUG	02



Item	Code	Description	QT
01	0521045490	HYDRAULIC CYLINDER 50,80 X 101,60 X 1130 X 813	01
02	0521065923	CASE 101,6 X 930	01
02A	0521010514	38,1 X 52,9 X 50 SLEEVE INTER	01
03	0561016387	PISTON BODY	01
04	0561016389	PISTON BODY	01
05	0503015633	SELEMASTER SEALING	01
06	0503010817	1-1/4" SELF-ADJUSTING NUT	01
07	0503010345	2-218 N 3006-9B O-RING	01
08	0502012642	SUPPORT OF THE RINGS	01
09	0503015634	RING SLYDRING	01
10	0503015635	U-CUP SEAL	01
11	0503015636	SCRAPER SEAL	01
12	0503011061	8-342 BACK-UP RING	01
13	0503010338	2-342 N 3006-9B O-RING	01
14	0502010017	4" HEAD	01
15	0521065924	TURNBUCKLE 63,50 X 1004	01
16	0503030385	PLUG	02
17	0503010002	1800 GREASE FITTING	02



Item	Code	Description	QT
01	0511058457	HYDRAULIC CYLINDER	01
02	0511063212	3" X 23" CYLINDER CASE	01
03	0501068711	1.7" X 22" TURNBUCLE	01
04	0502011899	MOBILE COVER	01
05	0581010301	RING SUPPORT	01
06	0503010761	D-1750 SCRAPER RING	01
07	0503017937	GASKET	01
08	0503017938	RING GUIDE	01
09	0503010343	2-334 N 3006-9B O'RING	01
10	0503011059	8-334 BACK-UP RING	01
11	0581010304	PISTON	01
12	0503018140	RING GUIDE	01
13	0503018138	RING BS	02
14	0503010042	2-214 N 3006-9B O'RING	01
15	0503010063	1" SELF-ALIGNING NUT	01
16	0503010002	1800 GREASE FITTING	01
17	0503030385	PLUG	02
18	0503010004	1890 GREASE FITTING	01



Item	Code	Description	QT
01	0521045491	HYDRAULIC CYLINDER 44,45 X 101,60 X 711 X 425	01
02	0521045490	HYDRAULIC CYLINDER 50,80 X 101,60 X 1130 X 813	02
03	0511058457	HYDRAULIC CYLINDER	02
04	0503011968	T ADAPTOR WITH GIRAT	04
05	0501080105	TR-TR HOSE ASSY	02
06	0501080047	3/8" X 67" TR-TR HOSE ASSY	02
07	0501080409	3/8" X 6000 TC-TM HOSE	02
08	0501080477	3/8" X 275" TC-TM HOSE ASSY	04
09	0501053834	QUICK CONECTION (MALE) 1/2	06
09A	0503011627	QUICK CONNECTION (MALE) AGR 1/2 NPT	06
09B	0503011882	QUICK CONNECTION COVER	06



MARCHESAN IMPLEMENTOS E MÁQUINAS AGRÍCOLAS TATU S.A.

AV. Marchesan, 1979 - Post office box, 131 - CEP 15994-900 - Matão - SP - Brazil

Phone +55 16.3382-8282

(FAX Parts) + 55 16.3382. 8297 - (Export) + 55 16.3382.1003

e.mail: tatu@marchesan.com.br www.marchesan.com.br

Technical Publications: Elaboration

ALESSANDRA PATRICIA KAWAHARA CARRILI

Technical Publications: Revision

ALESSANDRA PATRICIA KAWAHARA CARRILI

Contact Catálogo:

E-mail = jgaspari@marchesan.com.br

**ORIGINAL PARTS
TATU**

