

PARTS CATALOG

FRONT LOADER

PD FORD NH 7010/7020-4 SHT CD
S-0708

Code: 0501091443



Series: S-0708

Review: JULHO/08

ORIGINAL PARTS
TATU

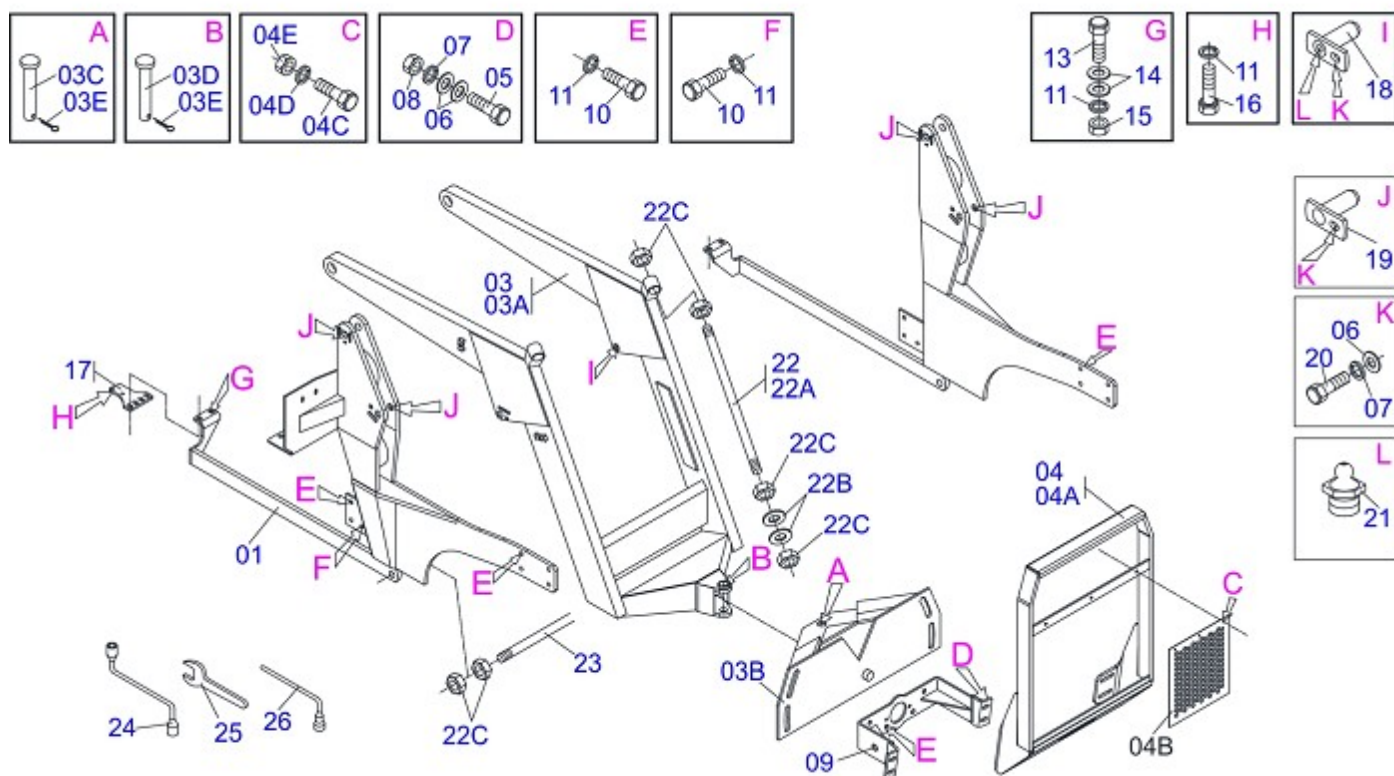


INDEX

0909093181	PD NH 7010/7020-4 SHT CD S708	1
0909093182	HYDRAULIC CIRCUIT 7010-7020-4 SHT	2
0511046385	50,8 X 101,6 X 1150 HYDRAULIC CYLINDER	3
0511046386	50,8 X 101,6 HYDRAULIC CYLINDER	4
0503015050	1000 MM CONTROL WIRE CABLE	5

ATTENTION: IMPORTANT

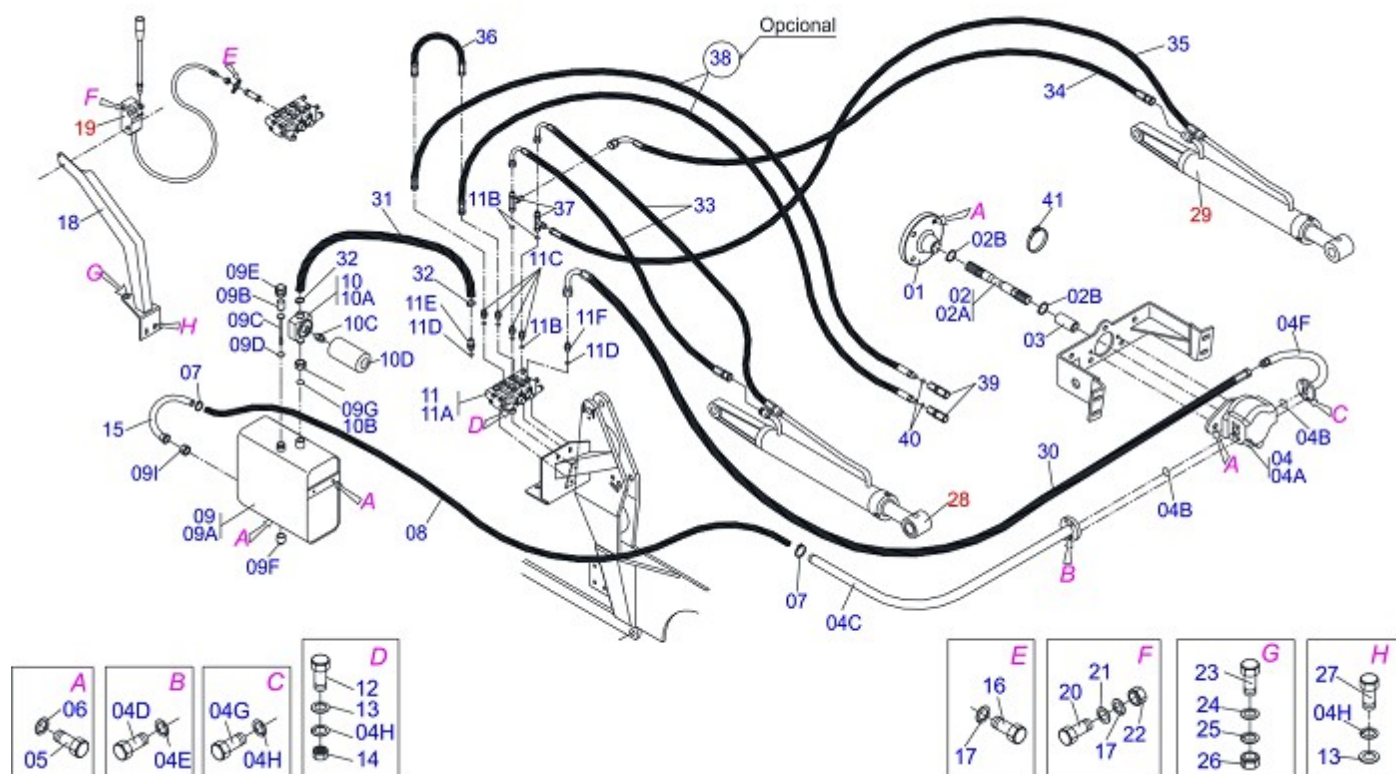
MARCHESAN RESERVES THE RIGHT AT ANY TIME TO MAKE IMPROVEMENTS IN THE DESIGN, MATERIAL OR SPECIFICATIONS OF MACHINERY, EQUIPMENT OR PARTS WITHOUT THEREBY BECOMING LIABLE TO MAKE SIMILAR CHANGES IN MACHINERY, EQUIPMENT OR PARTS PREVIOUSLY SOLD.



Item	Code	Description	
01	0521060404	RIGHT FRAME	01
02	0521060165	LEFT FRAME	01
03	0511046192	MOBILE SUPPORT GUIDE ASSY	01
03A	0511068905	MOBILE SUPPORT GUIDE	01
03B	0501062637	5/8" REGULATOR SUPPORT	01
03C	0521010618	1.4" X 8.6" COUPLING SHAFT	01
03D	0521010612	1.4" X 3.5" COUPLING SHAFT	01
03E	0503010010	1/4" X 2.1/2" COTTERPIN	02
04	0501048330	MOBILE SUPPORT GUIDE ASSY	01
04A	0511061998	MOBILE SUPPORT GUIDE ASSY	01
04B	0501014686	FRONT PROTECTION	01
04C	0503010751	3/8" X 1.1/4" HEX BOLT G.5	03
04D	0501010984	FLAT WASHER	03
04E	0503010026	3/8" NUT	01
05	0503010233	5/8" X 2-1/2" BOLT	04
06	0501012140	FLAT WASHER	14
07	0503010027	5/8" SPRING WASHER	10
08	0503010013	5/8" NUT	04
09	0521060097	PUMP SUPPORT FIXER	01
10	0503013110	M20 X 2" BOLT	18
11	0503010023	3/4" SPRING WASHER	24
12	0503013111	M20 X 2.5" BOLT	02
13	0501010500	3/4" X 3" BOLT	04
14	0501010322	FLAT WASHER	17
15	0503010014	3/4" NUT	04
16	0503011258	M18 X 2.5" BOLT	04
17	0511014115	FRAME BRACKET	02
18	0501063958	1.5" X 4.3" PIVOT SHAFT LOCK	02
19	0501063751	1.5" X 5.5" PIVOT SHAFT	04
20	0503010962	5/8" X 1-1/4" BOLT	06
21	0503010002	GREASE FITTING	08
22	0501049588	1.1/4 NC X 1640 ROD	02
22A	0521018624	1.1/4 X 1640 ROD	02



Item	Code	Description	
22B	0502012180	CONICAL SPRING WASHER	02
22C	0501010087	1.1/4" UNC NUT	04
23	0501014914	1.1/4" X 910 ROD	01
24	0501068213	5/8" WRENCH DOUBLE	01
25	0511010153	2-5/16" FIXED WRENCH	01
26	0501061617	1" WRENCH CYLINDRICAL HEX	01



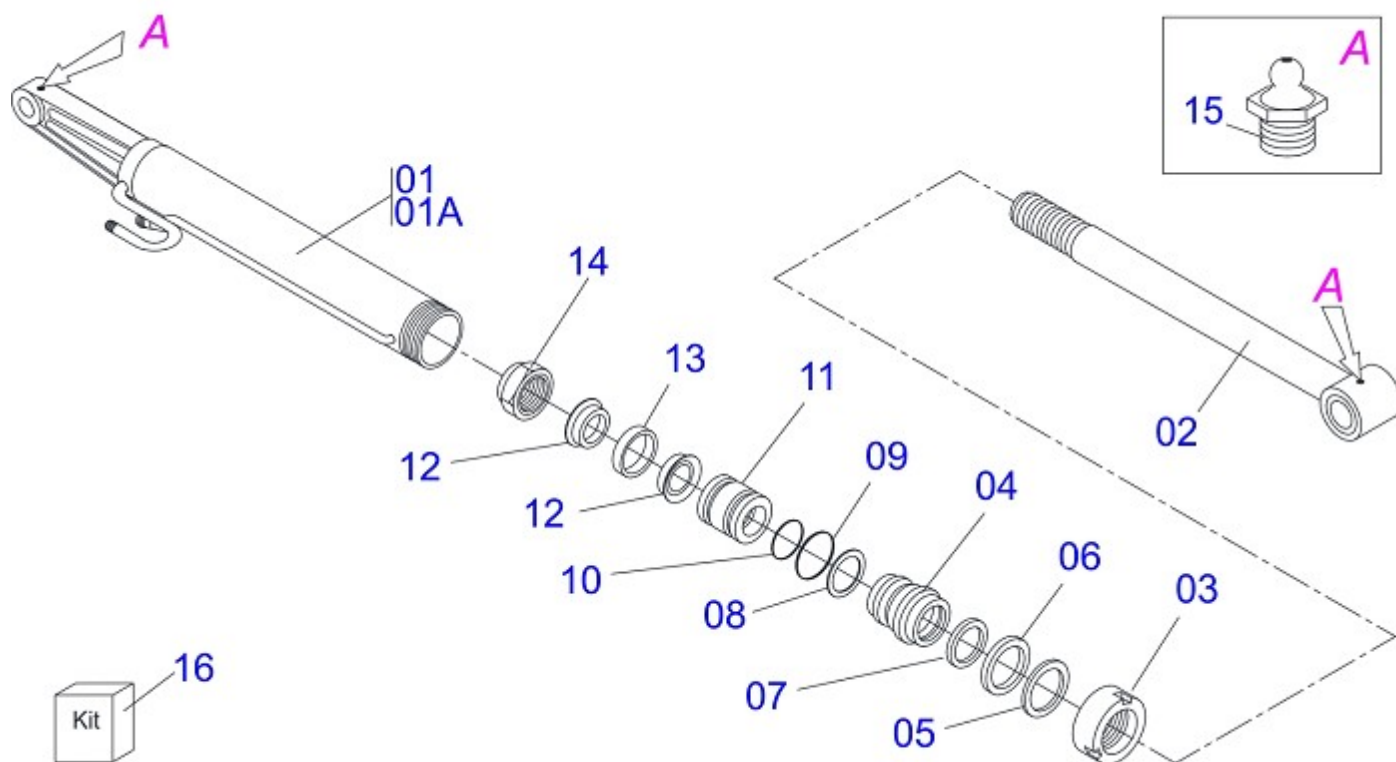
Item	Code	Description	
01	0501067310	123 X 63 COUPLING FLANGE	01
02	0501058792	707 X 1.1/8" AXLE	01
02A	0521060091	707 X 1.1/8" AXLE	01
02B	0503010174	501028 CLAMPING RING (FOR AXLE)	02
03	0503030838	1-1/8" X 2.4" SLEEVE	01
04	0501057949	PUMP WITH TUBE	01
04A	0503061770	PUMP WITH TUBE	01
04B	0503010173	2-220 N 3006-9B O-RING	02
04C	0521060236	PUMP SUCTION TUBE	01
04D	0503010355	7/16" X 1" BOLT	04
04E	0503010180	7/16" SPRING WASHER	04
04F	0511067176	PUMP PRESSURE TUBE	01
04G	0503010237	3/8" X 1" HEX BOLT G5	04
04H	0503010025	3/8" SPRING WHASHER	04
05	0501010161	1/2" X 1-1/4" BOLT	06
06	0503010019	1/2" SPRING WASHER	06
07	0503010243	1-1/2" TO 2" CLAMP	02
08	0501014632	1.1/4 X 1350 AB-AB HOSE ASSY	01
09	0501049879	RESERVOIR OIL ASSY	01
09A	0511063248	RESERVOIR OIL	01
09B	0503030044	FILTERING ELEMENT	01
09C	0501060795	BEARING REGULATOR SUPPORT	01
09D	0503010185	2-221 N 3006-9B O-RING	01
09E	0502020472	TANK COVER BODY	01
09F	0503031604	1/2" BSP PLUG	01
09G	0503010046	2-216 N 3006-9B O-RING	01
09H	0501016309	2" 1X 2.5/16" NUT	01
10	0501041108	RETURNING FILTER ASSY	01
10A	0502050002	RETURNING FILTER HEAD	01
10B	0501010594	1" NUT HEX	01
10C	0501010159	REDUCTION PLATE 100 X 10,5	01
10D	0503010183	RETURNING FILTER	01
11	0511046500	CD 1/2 S/LEVER FIXER CONTROL DOUBLE	01



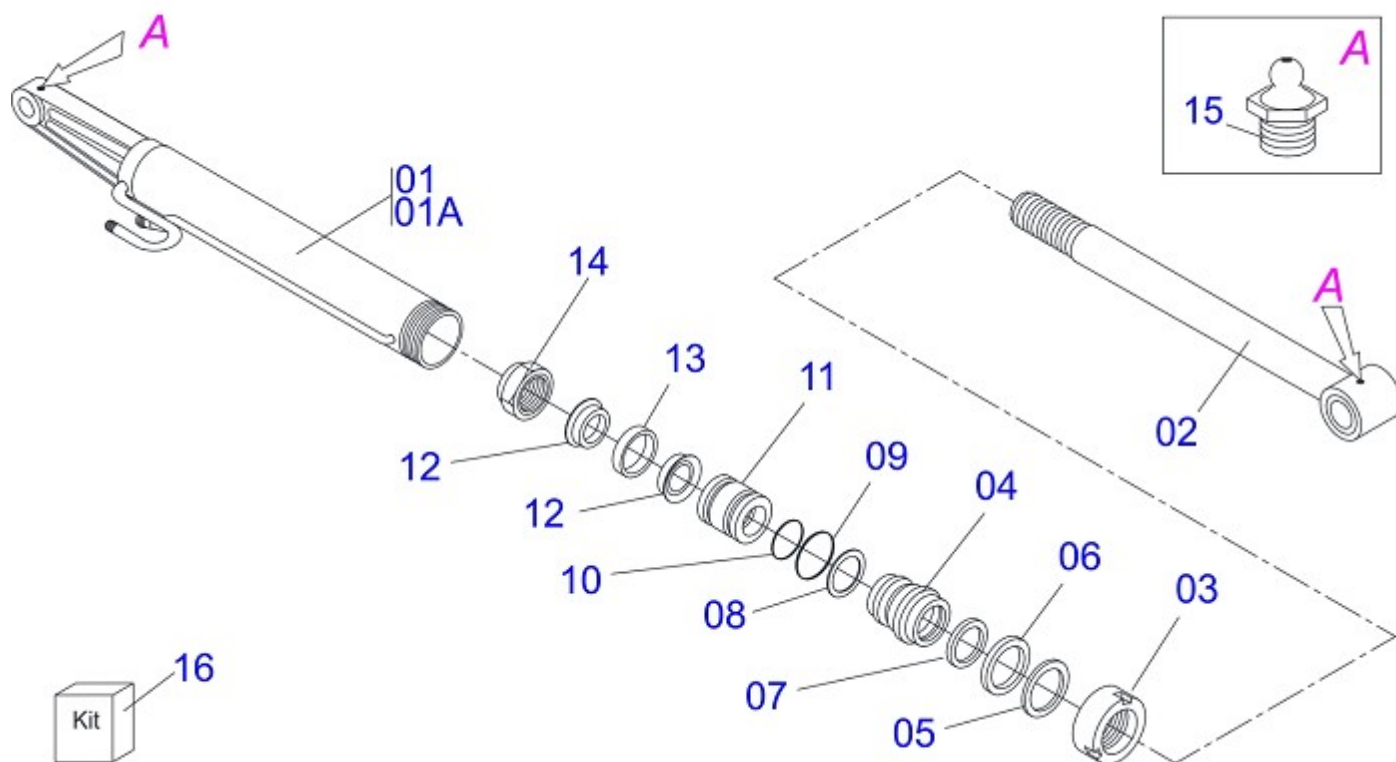
HYDRAULIC CIRCUIT 7010-7020-4 SHT

0909093182

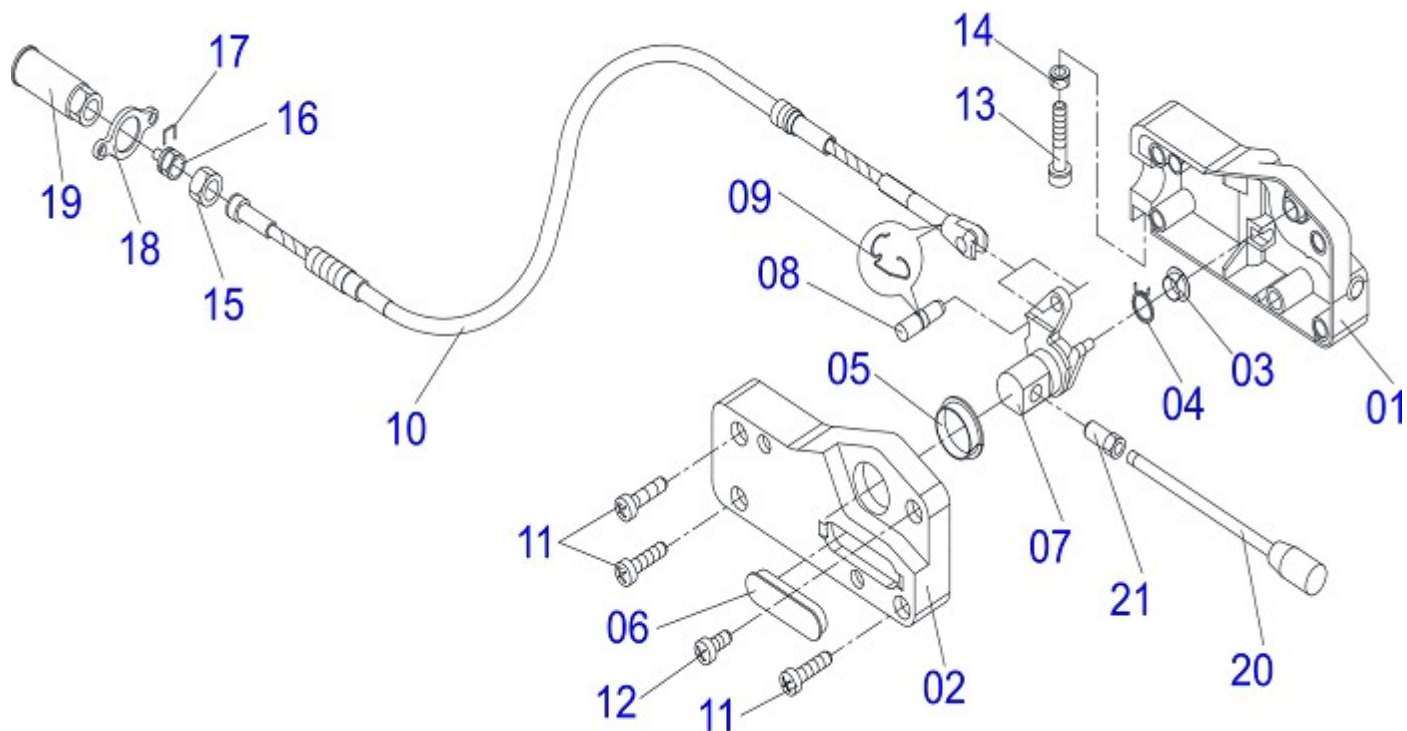
Item	Code	Description	
11A	0503061714	1/2" DOUBLE CONTROL VALVE	01
11B	0503010045	2-116 N 3006-9B O'RING	06
11C	0501010590	7/8" REDUCTION NIPPLE	04
11D	0503011109	2-119 N 3006-9B O'RING	02
11E	0501010591	HOSE NIPPLE	01
11F	0501010589	1-1/16 NIPPLE	01
12	0501010080	3/8" X 1-1/2" BOLT	03
13	0501010984	FLAT WASHER	03
14	0503010026	3/8" NUT	03
15	0501067815	TANK OUTER TUBE	01
16	0503011104	M6 X 1" BOLT	04
17	0503010143	1/4" SPRING WASHER	04
18	0521060316	CONTROL VALVE CABLE FIXER SUPPORT	01
19	0503014629	1500 MM CONTROL WIRE	02
20	0503012721	1/4" X 4" BOLT	02
21	0501010694	FLAT WASHER	04
22	0503012880	1/4" UNC SELF ADJUSTING NUT	02
23	0503011198	3/4" X 6" BOLT	01
24	0501010322	FLAT WASHER	01
25	0503010023	3/4" SPRING WASHER	01
26	0503010014	3/4" NUT	01
27	0503010751	3/8" X 1.1/4" HEX BOLT G.5	02
28	0511046385	50,8 X 101,6 X 1150 HYDRAULIC CYLINDER	01
29	0511046386	50,8 X 101,6 HYDRAULIC CYLINDER	01
30	0501080513	3/4" X 2500 TR-TC HOSE ASSY	01
31	0521019431	1" X 45.27" AB-AB HOSE	01
32	0503010184	1-1/4" TO 1-1/2" CLAMP	02
33	0501080030	1/2" X 53" TR-TC HOSE ASSY	02
34	0501080303	1/2" X 2500 TR-TR HOSE	01
35	0501080495	1/2 X 2500 TR-TC HOSE	01
36	0501080120	1/2" X 400 TR-TR HOSE	01
37	0503012341	"T" 7/8" ADAPOR GIRAT NUT	02
38	0501080246	1/2" X 102" TR-TM HOSE ASSY	02
39	0501053835	FEMALE QUICK COUPLER	02
40	0503010217	501040 CLAMPING RING (FOR AXLE)	02
41	0503010246	2" TO 2 1/2" CLAMP	03



Item	Code	Description	
01	0511069250	RH 101,60 X 558 CYLINDER CASE	01
02	0511069252	50,80 X 771,50 TURNBUCKLE	01
03	0502010017	4" HEAD	01
04	0502010778	2" X 4.2" RING SUPPORT	01
05	0503010039	D-2000 SCRAPER RING	01
06	0503010991	PACKING 1870-2000-375-B	01
07	0503010952	W2-2250-500 PK RING G.E	01
08	0503011061	8-342 BACK-UP RING	01
09	0503010338	2-342 N 3006-9B O'RING	01
10	0503010345	2-218 N 3006-9B O'RING	01
11	0502010992	2.0" X 4.0" PISTON	01
12	0503010043	PACKING 3750-3250	02
13	0503010994	W2-4000-500 PK RING G.E	01
14	0503010817	1.1/4" UNF SELF ADJUSTING NUT	01
15	0503010002	GREASE FITTING	02
16	0501031799	HYDRAULIC CYLINDER REPAIR KIT	



Item	Code	Description	
01	0511069250	RH 101,60 X 558 CYLINDER CASE	01
02	0511069252	50,80 X 771,50 TURNBUCKLE	01
03	0502010017	4" HEAD	01
04	0502010778	2" X 4.2" RING SUPPORT	01
05	0503010039	D-2000 SCRAPER RING	01
06	0503010991	PACKING 1870-2000-375-B	01
07	0503010952	W2-2250-500 PK RING G.E	01
08	0503011061	8-342 BACK-UP RING	01
09	0503010338	2-342 N 3006-9B O'RING	01
10	0503010345	2-218 N 3006-9B O'RING	01
11	0502010992	2.0" X 4.0" PISTON	01
12	0503010043	PACKING 3750-3250	02
13	0503010994	W2-4000-500 PK RING G.E	01
14	0503010817	1.1/4" UNF SELF ADJUSTING NUT	01
15	0503010002	GREASE FITTING	02
16	0501031799	HYDRAULIC CYLINDER REPAIR KIT	



Item	Code	Description	
01	0503015516	RIGHT SIDE	01
02	0503015517	LEFT SIDE	01
03	0503015518	SMALLER BUSHING	01
04	0503015519	SPRING	01
05	0503015520	SLEEVE GUIDES	01
06	0503015521	COVER	01
07	0503015522	ARTICULATION	01
08	0503015523	LOCK AXLE	01
09	0503015524	LOCK PIN	01
10	0503015525	1000 WIRE CABLE	01
11	0503015533	5/32" X 1" BOLT	03
12	0503015534	5/32" X 1" BOLT	01
13	0503015535	M6 X 45 X 1" BOLT	01
14	0503015536	M6 X 1" SELF NUT	01
15	0503015543	M 6 X 1,5 NUT	01
16	0503015537	CABLE FIXER	01
17	0503015538	NUT LOCK	01
18	0503015539	FASTENER	01
19	0503015540	TURNBUCKLE	01
20	0503015541	LEVER	01
21	0503015542	LEVER FIXER	01



MARCHESAN

MARCHESAN IMPLEMENTOS E MÁQUINAS AGRÍCOLAS TATU S.A.

AV. Marchesan, 1979 - Post office box, 131 - CEP 15994-900 - Matão - SP - Brazil

Phone +55 16.3382-8282

(FAX Parts) + 55 16.3382. 8297 - (Export) + 55 16.3382.1003

e.mail: tatu@marchesan.com.br www.marchesan.com.br

*Drafting and Illustration = GASPARI
e.mail = jgaspari@marchesan.com.br*

**ORIGINAL PARTS
TATU**



MARCHESAN

PARTS CATALOG



**ORIGINAL PARTS
TATU**

