

PARTS CATALOG

PD - FRONT LOADER

PD FORD NH 8030-4 BT SC

Code: 0501091442



Series: S-0708

Review: JULHO/2008

ORIGINAL PARTS
TATU

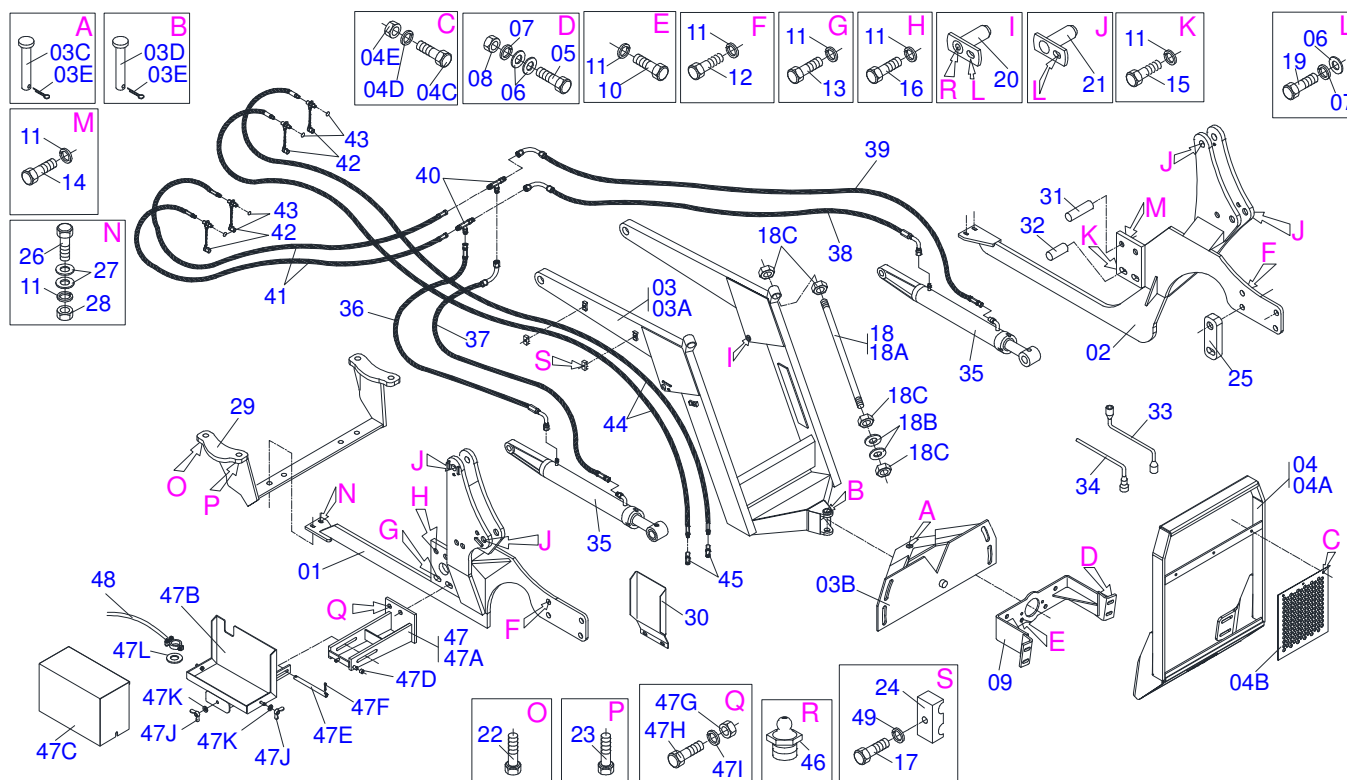


INDEX

0909093170
0511047417

PD NH 8030-4 BT SC S-0708
50,80 X 101,60 HYDRAULIC CYLINDER

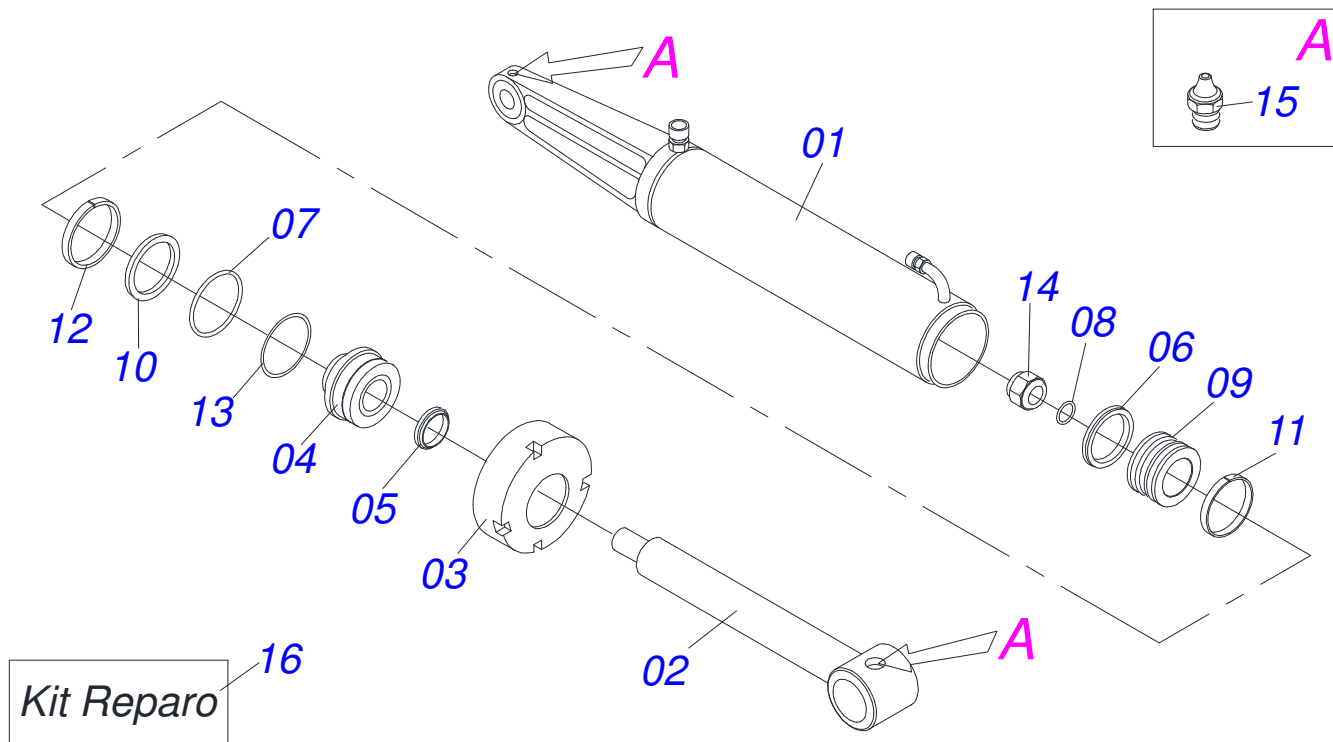
..... 1
..... 2



Item	Code	Description	
01	0521060081	RIGHT FRAME PD NH	01
02	0521060076	LEFT FRAME	01
03	0501049586	MOBILE SUPPORT ASSY	01
03A	0511062616	MOBILE SUPPORT	01
03B	0501062637	5/8" REGULATOR SUPPORT	01
03C	0521060618	63,50 X 309 CYLINDER CASE	01
03D	0521010612	1.4" X 3.5" COUPLING SHAFT	01
03E	0503010010	1/4" X 2.1/2" COTTERPIN	02
04	0501041796	MOBILE SUPPORT GUIDE ASSY	01
04A	0501063133	MOBILE SUPPORT GUIDE	01
04B	0501014687	FRONT PROTECTION	01
04C	0503010751	C3/8" X 1.1/4" HEX BOLT G.5	03
04D	0501010984	FLAT WASHER	03
04E	0501011338	3/8" SQUARE NUT	03
05	0503010233	5/8" X 2-1/2" BOLT	06
06	0501012140	FLAT WASHER	14
07	0503010027	SPRING WASHER	12
08	0503010013	5/8" NUT	06
09	0521060078	GUIDE PUMP SUPPORT	01
10	0503013110	M20 X 2,5 X 50 BOLT	04
11	0503010023	SPRING WASHER	26
12	0503013112	M20 X 2,5 X 70 BOLT	08
13	0503013103	M20 X 2,5 X 90 BOLT	02
14	0503015049	M20 X 2,5 X 190 BOLT	02
15	0503013090	M20 X 2,5 X 100 BOLT	02
16	0503013365	M20 X 2,5 X 140 BOLT	02
17	0503010751	C3/8" X 1.1/4" HEX BOLT G.5	03
18	0501049588	1.1/4 NC X 1640 ROD	02
18A	0521018624	1.1/4 X 1640 ROD	01
18B	0502012180	CONICAL SPRING WASHER	02
18C	0501010087	1.1/4" NUT	04
19	0503010962	5/8" X 1-1/4" BOLT	06
20	0501063958	1.5" X 4.3" PIVOT SHAFT LOCK	02



Item	Code	Description	
21	0501063751	1.5" X 5.5" PIVOT SHAFT	04
22	0501010064	1" X 9" BOLT	02
23	0501010066	3/4" X 9" BOLT	04
24	0502010477	UPPER CLIP	03
25	0561010484	FRAME BAR CHOCK	04
26	0501010125	3/4" X 2-1/2" BOLT	04
27	0501010322	FLAT WASHER	16
28	0503010014	3/4" NUT	04
29	0521060106	FRAME FIXER SUPORT	01
30	0561010518	HOSE ASSY PROTECTOR	01
31	0561010487	22,23 X 44,45 X 137 SLEEVE	02
32	0561010578	22,23 X 44,45 X 45 SLEEVE	02
33	0501068213	5/8" WRENCH DOUBLE	01
34	0501061617	1" GANG BOLT WRENCH	01
35	0511047417	50,80 X 101,60 HYDRAULIC CYLINDER	02
36	0501080030	1/2" X 53" TR-TC HOSE ASSY	01
37	0501080094	1/2 X 1800 TR-TC HOSE	01
38	0501081414	1/2 X 2250 TC-TC HOSE	01
39	0501080272	1/2 X 2700 TR-TC HOSE	01
40	0503013493	T CONNECTION MALE	02
41	0501080075	1/2 X 2400 TR-TM HOSE ASSY	02
42	0501053834	QUICK CONECTION (MALE) 1/2	04
43	0503010217	501040 CLAMPING RING (FOR AXLE)	04
44	0501081359	1/2 X 5500 TM-TM HOSE ASSY	02
45	0501053835	FEMALE QUICK COUPLER	02
46	0503010002	1800 GREASE FITTING	02
47	0511044960	BATTERY BOX	01
47A	0511067446	BATTERY FIXER	01
47B	0511067447	BATTERY FIXER MOBILE	01
47C	0511067492	BATTERY BOX COVER	01
47D	0551010490	SLEEVE	02
47E	0551010491	BATTERY BOX AXLE	01
47F	0503010571	1/4" X 1.1/2 COTTERPIN	04
47G	0503010023	SPRING WASHER	02
47H	0501010125	3/4" X 2-1/2" BOLT	04
47I	0503010014	3/4" NUT	02
47J	0503010209	3/8" UNC BUTTERFLY NUT	03
47K	0503010357	FLAT WASHER	02
47L	0511017302	FLAT WASHER	01
48	0503015048	BATTERY CABLE	01
49	0503010025	3/8 SPRING WASHER	03



Item	Code	Description	
01	0521060113	101,60 X 558 CYLINDER CASE	01
02	0511069252	50,80 X 771,50 TURNBUCKLE	01
03	0502010017	4" HEAD	01
04	0502010778	2" X 4.2" RING SUPPORT	01
05	0503010039	D-2000 SCRAPER RING	01
06	0503010043	PACKING 3750-3250	02
07	0503010338	2-342 N 3006-9B O'RING	01
08	0503010345	2-218 N 3006-9B O'RING	01
09	0502010992	2.0" X 4.0" PISTON	01
10	0503010991	PACKING 1870-2000-375-B	01
11	0503010994	W2-4000-500 PK RING G.E	01
12	0503010952	W2-2250-500 PK RING G.E	01
13	0503011061	8-342 BACK-UP RING	01
14	0503010817	1-1/4" SELF-ADJUSTING NUT	01
15	0503010002	1800 GREASE FITTING	02



MARCHESAN IMPLEMENTOS E MÁQUINAS AGRÍCOLAS TATU S.A.

AV. Marchesan, 1979 - Post office box, 131 - CEP 15994-900 - Matão - SP - Brazil

Phone +55 16.3382-8282

(FAX Parts) + 55 16.3382. 8297 - (Export) + 55 16.3382.1003

e.mail: tatu@marchesan.com.br www.marchesan.com.br

Technical Publications: Elaboration

ALESSANDRA PATRICIA KAWAHARA CARRILI

Technical Publications: Revision

JOSÉ DOMINGOS GASPARI

Contact Catálogo:

E-mail = jgaspari@marchesan.com.br

**ORIGINAL PARTS
TATU**

