

PARTS CATALOG

PD - FRONT LOADER

PD FORD NH 8030-4 SHT

Code: 0501091440



Series: S-0608

Review: JULHO/2008

**ORIGINAL PARTS
TATU**



PRODUCTS

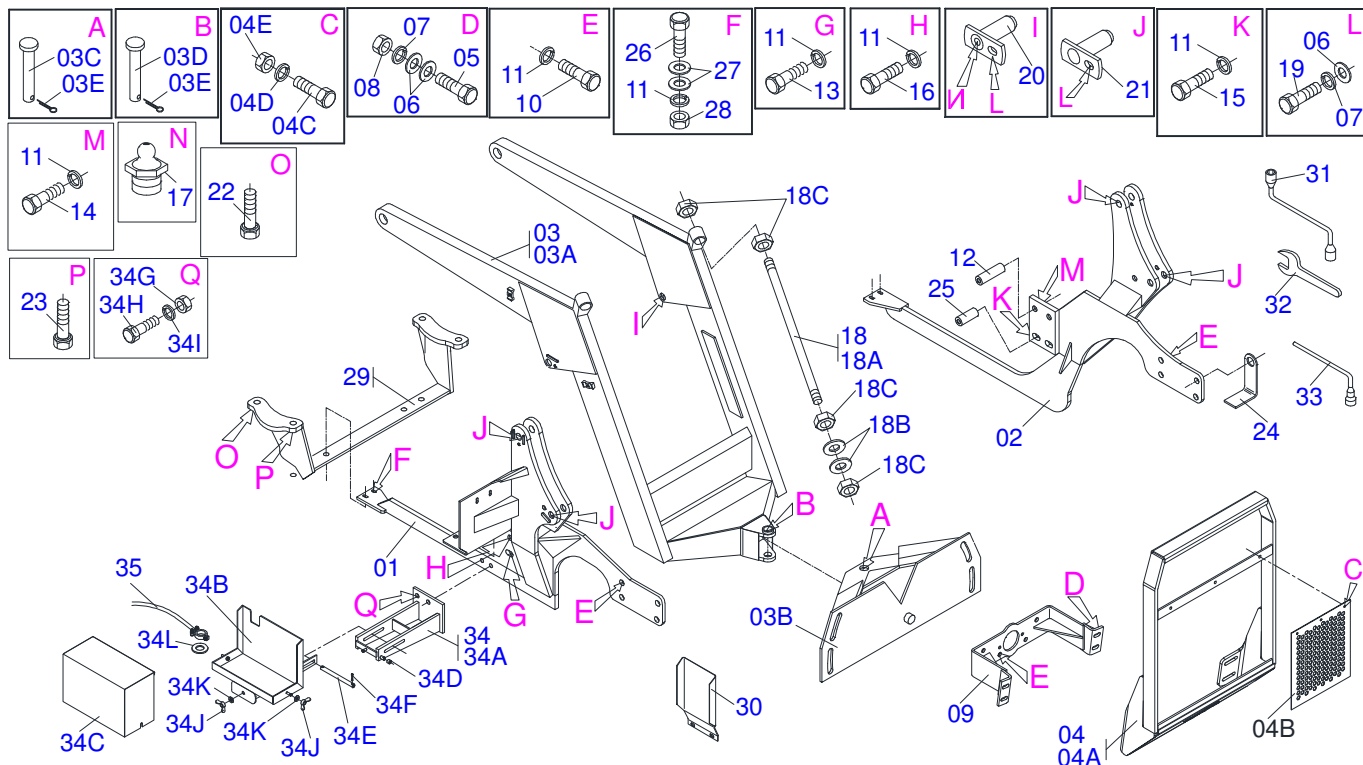
Code	Description
0106040345	PD NH 8030-4 SHT CD GAL S-0608
0106040296	PD NH 8030-4 SHTCD GBA S-0608

ATTENTION: **IMPORTANT**

MARCHESAN S/A RESERVES THE RIGHT AT ANY TIME TO MAKE IMPROVEMENTS IN THE DESIGN, MATERIAL OR SPECIFICATIONS OF MACHINERY, EQUIPMENT OR PARTS WITHOUT THEREBY BECOMING LIABLE TO MAKE SIMILAR CHANGES IN MACHINERY, EQUIPMENT OR PARTS PREVIOUSLY SOLD.

INDEX

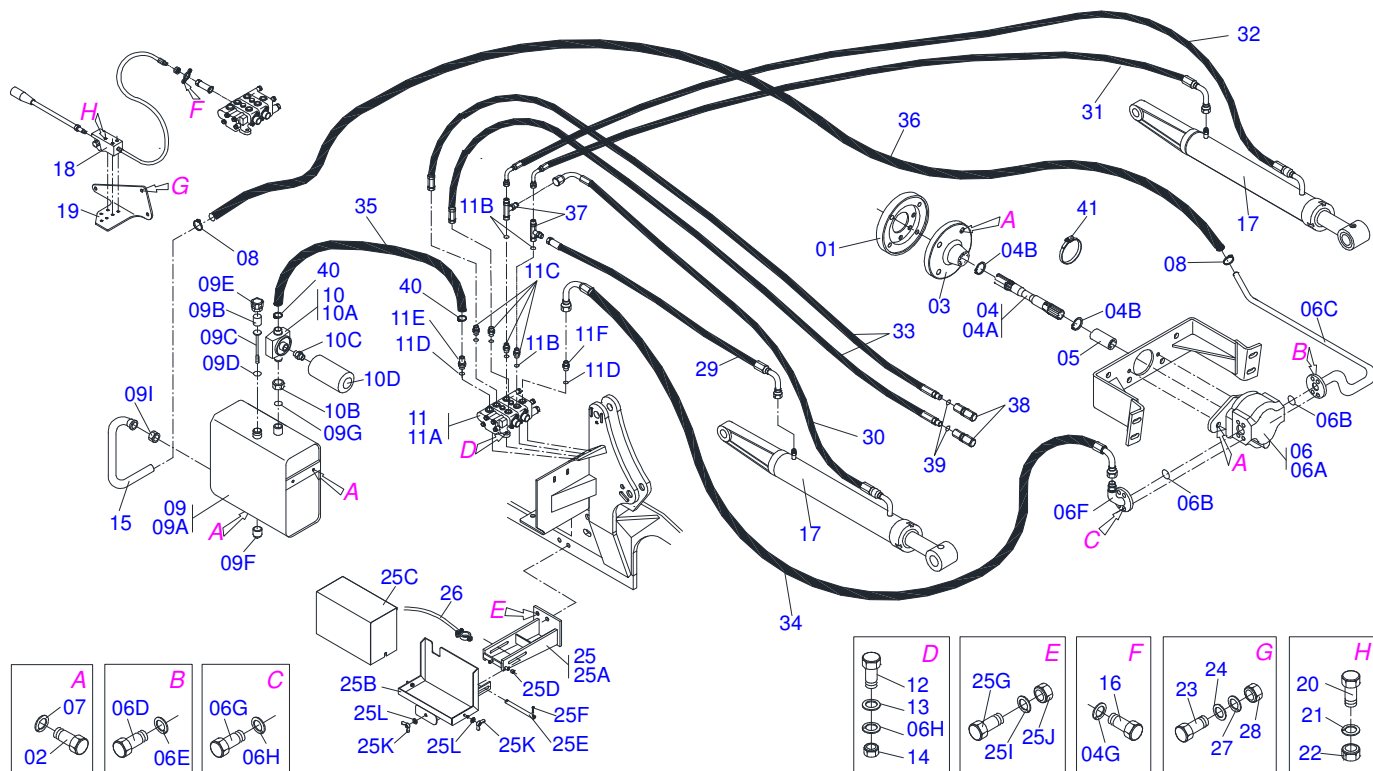
0909093168	PD NH 8030-4 SHT S-0608	1
0909093169	HYDR. CIRC. PD NH 8030-4 SHT S-0708	2
0511047417	50,80 X 101,60 HYDRAULIC CYLINDER	3
0501047710	2600MM BLADE SUPPORT ASSY	4



Item	Code	Description	
01	0521060077	RIGHT FRAME	01
02	0521060076	LEFT FRAME	01
03	0501049586	MOBILE SUPPORT ASSY	01
03A	0511062616	MOBILE SUPPORT	01
03B	0501062637	5/8" REGULATOR SUPPORT	01
03C	0521010618	1.4" X 8.6" COUPLING SHAFT	01
03D	0521010612	1.4" X 3.5" COUPLING SHAFT	01
03E	0503010010	1/4" X 2.1/2" COTTERPIN	02
04	0501041796	MOBILE SUPPORT GUIDE ASSY	01
04.	0511046439	MOBILE SUPPORT GUIDE ASSY	01
04.A	0511069391	MOBILE SUPPORT GUIDE ASSY	01
04A	0501063133	MOBILE SUPPORT GUIDE	01
04B	0501014687	FRONT PROTECTION	01
04C	0503010751	C3/8" X 1.1/4" HEX BOLT G.5	03
04D	0501010984	FLAT WASHER	03
04E	0501011338	3/8" SQUARE NUT	03
05	0503010233	5/8" X 2-1/2" BOLT	06
06	0501012140	FLAT WASHER	14
07	0503010027	SPRING WASHER	06
08	0503010013	5/8" NUT	06
09	0521060078	GUIDE PUMP SUPPORT	01
10	0503013110	M20 X 2,5 X 50 BOLT	12
11	0503010023	SPRING WASHER	06
12	0561010487	22,23 X 44,45 X 137 SLEEVE	02
13	0503013103	M20 X 2,5 X 90 BOLT	02
14	0503015049	M20 X 2,5 X 190 BOLT	02
15	0503013090	M20 X 2,5 X 100 BOLT	02
16	0503013365	M20 X 2,5 X 140 BOLT	02
17	0503010002	1800 GREASE FITTING	02
18	0501049588	1.1/4 NC X 1640 ROD	02
18A	0521018624	1.1/4 X 1640 ROD	01
18B	0502012180	CONICAL SPRING WASHER	02
18C	0501010087	1.1/4" NUT	04



Item	Code	Description	
19	0503010962	5/8" X 1-1/4" BOLT	06
20	0501063958	1.5" X 4.3" PIVOT SHAFT LOCK	02
21	0501063751	1.5" X 5.5" PIVOT SHAFT	04
22	0501010064	1" X 9" BOLT	02
23	0501010066	3/4" X 9" BOLT	04
24	0561010557	HOSE ASSY FIXER SUPPORT SUCTION	01
25	0561010578	22,23 X 44,45 X 45 SLEEVE	02
26	0501010125	3/4" X 2-1/2" BOLT	06
27	0501010322	FLAT WASHER	16
28	0503010014	3/4" NUT	06
29	0521060106	FRAME FIXER SUPORT	01
30	0561010518	HOSE ASSY PROTECTOR	01
31	0501068213	5/8" WRENCH DOUBLE	01
32	0511010153	2-5/16" FIXED WRENCH	01
33	0501061617	1" GANG BOLT WRENCH	01
34	0511044960	BATTERY BOX	01
34A	0511067446	BATTERY FIXER	01
34B	0511067447	BATTERY FIXER MOBILE	01
34C	0511067492	BATTERY BOX COVER	01
34D	0551010490	SLEEVE	02
34E	0551010491	BATTERY BOX AXLE	01
34F	0503010571	1/4" X 1.1/2" COTTERPIN	04
34G	0501011544	3/4" X 1-1/2" BOLT	02
34H	0501010098	HEX BOLT 3/4 UNC X 2 C S G.5 ZN	02
34I	0503010023	SPRING WASHER	02
34J	0503010014	3/4" NUT	02
34K	0503010209	3/8" UNC BUTTERFLY NUT	03
35	0503015048	BATTERY CABLE	01

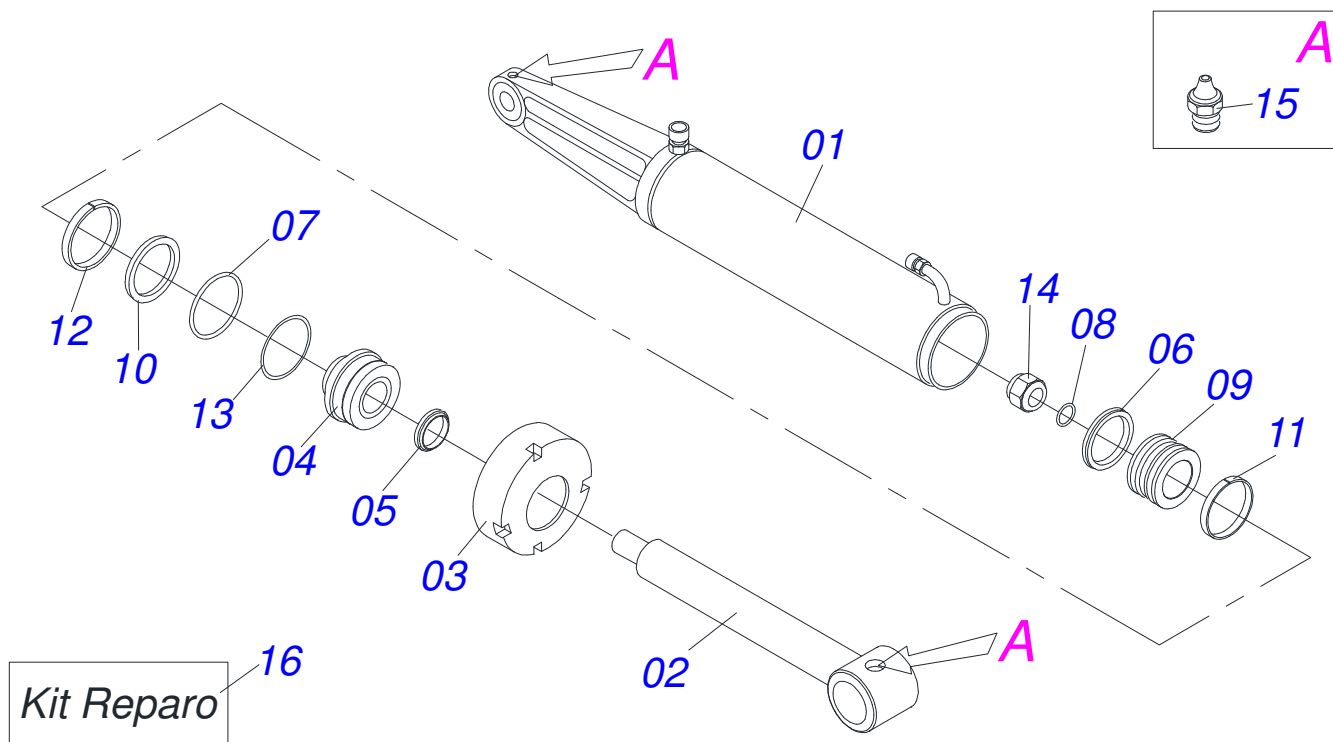


Item	Code	Description	
01	0551019179	FLANGE ADAPTER	01
02	0503050056	COUPLING FLANGE	01
03	0503050056	COUPLING FLANGE	01
04	0501058599	787 X 1.1/8" AXLE	01
05	0503030838	1-1/8" X 2.4" SLEEVE	01
06	0511047396	PUMP WITH TUBE	01
06A	0503061770	PUMP WITH TUBE	01
06B	0503010173	2-220 N 3006-9B O'RING	02
06C	0521060103	PUMP SUCTION TUBE	01
06D	0503010355	7/16" X 1" BOLT	04
06E	0503010180	7/16" SPRING WASHER	04
06F	0501069661	PUMP PRESSURE TUBE	01
06G	0503010237	3/8" X 1" BOLT	04
06H	0503010025	3/8 SPRING WASHER	04
07	0511017302	FLAT WASHER	05
08	0503010243	CLAMP	04
09	0501049879	OIL RESERVOIR	01
09A	0511063248	OIL RESERVOIR	01
09B	0503030044	FILTERING ELEMENT	01
09C	0501060795	BEARING REGULATOR SUPPORT	01
09D	0503010185	2-221 N 3006-9B O'RING	01
09E	0502020472	FRONTAL COVER	01
09F	0503031604	1/2" BSP PLUG	01
09G	0503010046	2-216 N 3006-9B O'RING	01
09H	0501016309	2" 1X 2.5/16" NUT	01
10	0501041108	RETURNING FILTER ASSY	01
10A	0502050002	RETURNING FILTER HEAD	01
10B	0501010594	1" NUT	01
10C	0501010159	REDUCTION PLATE	01
10D	0503010183	RETURNING FILTER	01
11	0511046500	CD 1/2 S/LEVER FIXER CONTROL DOUBLE	01
11A	0503061714	1/2" DOUBLE CONTROL VALVE	01
11B	0503010045	2-116 N 3006-9B O'RING	06

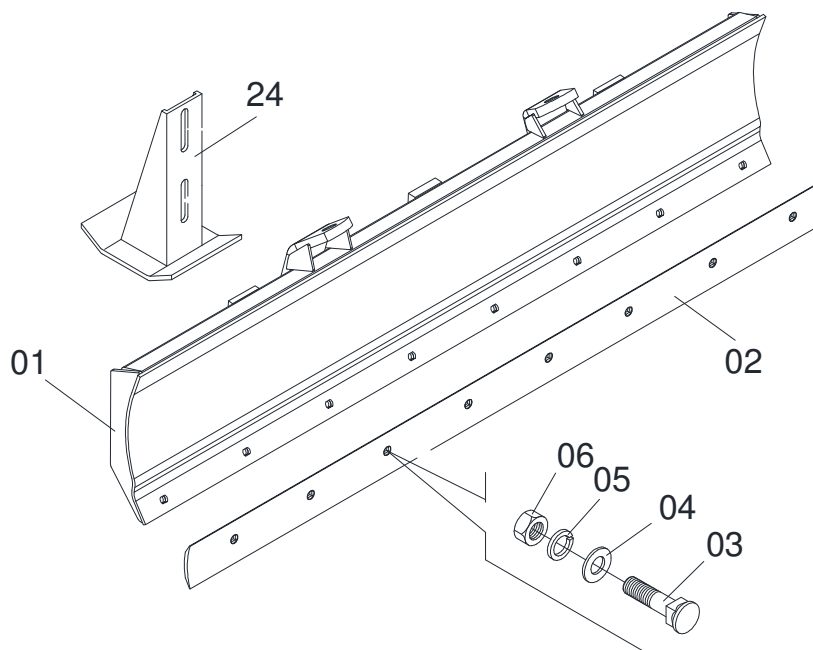


PD FORD NH 8030-4 SHT
HYDR. CIRC. PD NH 8030-4 SHT S-0708

Item	Code	Description	
11C	0501010590	7/8" REDUCTION NIPPLE	04
11D	0503011109	2-119 N 3006-9B O'RING	02
11E	0501010591	HOSE NIPPLE	01
11F	0501010589	R. 1.1/16UN SEXT 1.1/4 X 52 NIPPLE	01
12	0503010849	3/8" X 1-1/2" BOLT	03
13	0501010984	FLAT WASHER	05
14	0503010026	3/8" NUT	09
15	0521060102	TANK SUCTION TUBE	01
16	0503014141	M6 X 1 X 20 BOLT	04
17	0511047417	50,80 X 101,60 HYDRAULIC CYLINDER	02
18	0503014597	2000 MM CONTROL WIRE	02
19	0551019180	STEEL CABLE FIXER SUPORT	01
20	0503011719	1/4" X 2-1/2" BOLT	04
21	0503010143	SPRING WASHER	04
22	0503010144	1/4" NUT	04
23	0503010371	5/16" X 1" BOLT	03
24	0501010694	FLAT WASHER	06
25	0511044960	BATTERY BOX	01
25A	0511067446	BATTERY FIXER	01
25B	0511067447	BATTERY FIXER MOBILE	01
25C	0511067492	BATTERY BOX COVER	01
25D	0551010490	SLEEVE	02
25E	0551010491	BATTERY BOX AXLE	01
25F	0503010571	1/4" X 1.1/2 COTTERPIN	04
25G	0501011544	3/4" X 1-1/2" BOLT	02
25H	0501010098	HEX BOLT 3/4 UNC X 2 C S G.5 ZN	02
25I	0503010023	SPRING WASHER	02
25J	0503010014	3/4" NUT	02
25K	0503010209	3/8" UNC BUTTERFLY NUT	03
26	0503015048	BATTERY CABLE	01
27	0503010179	SPRING WASHER	03
28	0503010337	5/16" NUT	03
29	0501080030	1/2" X 53" TR-TC HOSE ASSY	01
30	0501080094	1/2 X 1800 TR-TC HOSE	01
31	0501081414	1/2 X 2250 TC-TC HOSE	01
32	0501080272	1/2 X 2700 TR-TC HOSE	01
33	0501080246	TR-TM HOSE ASSY	02
34	0501081077	3/4" X 3100 TC-TC HOSE ASSY	01
35	0501010610	1 X 800 AB-AB HOSE	01
36	0501014649	1.1/4 X 2000 AB-AB HOSE ASSY	01
37	0503012341	T 7/8" ADAPOR GIRAT NUT	02
38	0501053835	FEMALE QUICK COUPLER	02
39	0503010217	501040 CLAMPING RING (FOR AXLE)	04
40	0503010184	CLAMP	02
41	0503010246	CLAMP	01



Item	Code	Description	
01	0521060113	101,60 X 558 CYLINDER CASE	01
02	0511069252	50,80 X 771,50 TURNBUCKLE	01
03	0502010017	4" HEAD	01
04	0502010778	2" X 4.2" RING SUPPORT	01
05	0503010039	D-2000 SCRAPER RING	01
06	0503010043	PACKING 3750-3250	02
07	0503010338	2-342 N 3006-9B O'RING	01
08	0503010345	2-218 N 3006-9B O'RING	01
09	0502010992	2.0" X 4.0" PISTON	01
10	0503010991	PACKING 1870-2000-375-B	01
11	0503010994	W2-4000-500 PK RING G.E	01
12	0503010952	W2-2250-500 PK RING G.E	01
13	0503011061	8-342 BACK-UP RING	01
14	0503010817	1-1/4" SELF-ADJUSTING NUT	01
15	0503010002	1800 GREASE FITTING	02



Item	Code	Description	
01	0501068001	2590MM BLADE SUPPORT ASSY	01
02	0622360011	2600 SCRAPER REVERSIBLE	01
03	0501012240	5/8" X 2-1/2" BOLT	08
04	0501010301	FLAT WASHER	08
05	0503010027	SPRING WASHER	08
06	0503010013	5/8" NUT	08



MARCHESAN IMPLEMENTOS E MÁQUINAS AGRÍCOLAS TATU S.A.

AV. Marchesan, 1979 - Post office box, 131 - CEP 15994-900 - Matão - SP - Brazil

Phone +55 16.3382-8282

(FAX Parts) + 55 16.3382. 8297 - (Export) + 55 16.3382.1003

e.mail: tatu@marchesan.com.br www.marchesan.com.br

Technical Publications: Elaboration

ALESSANDRA PATRICIA KAWAHARA CARRILI

Technical Publications: Revision

JOSÉ DOMINGOS GASPARI

Contact Catálogo:

E-mail = jgaspari@marchesan.com.br

**ORIGINAL PARTS
TATU**

