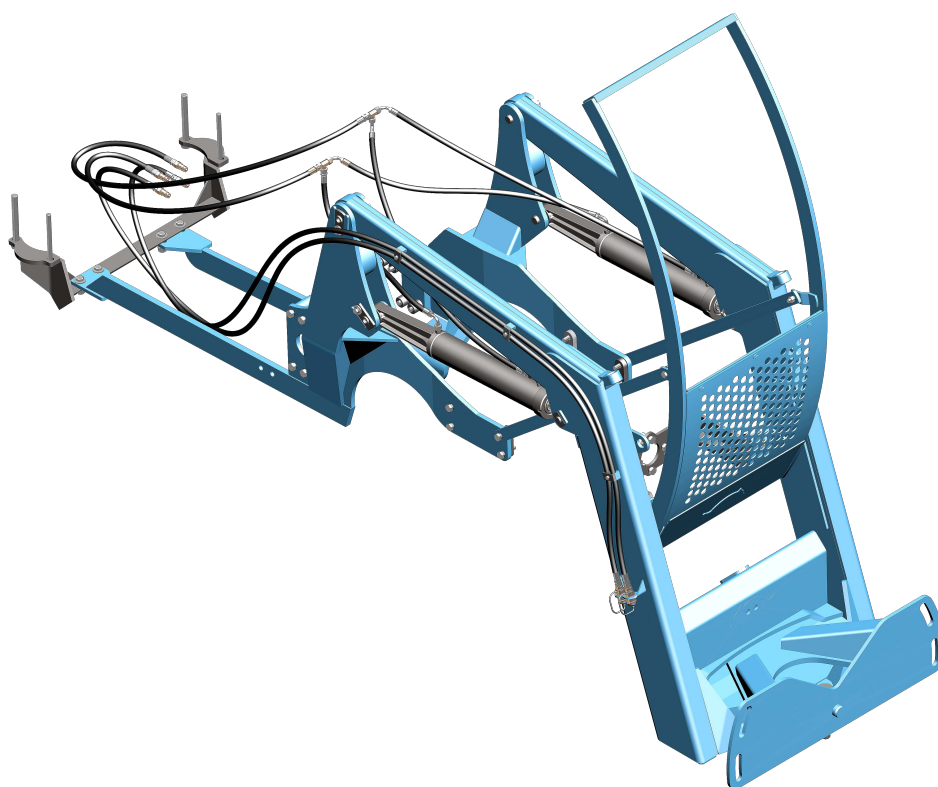


# **PARTS CATALOG**

**PD - FRONT LOADER**

**PD NH 7630-4 BT SC SL GAL**

**Code: 0501091437**



**Series: S-0708**

**Review: MARÇO/2018**

**ORIGINAL PARTS  
TATU**



# PRODUCTS

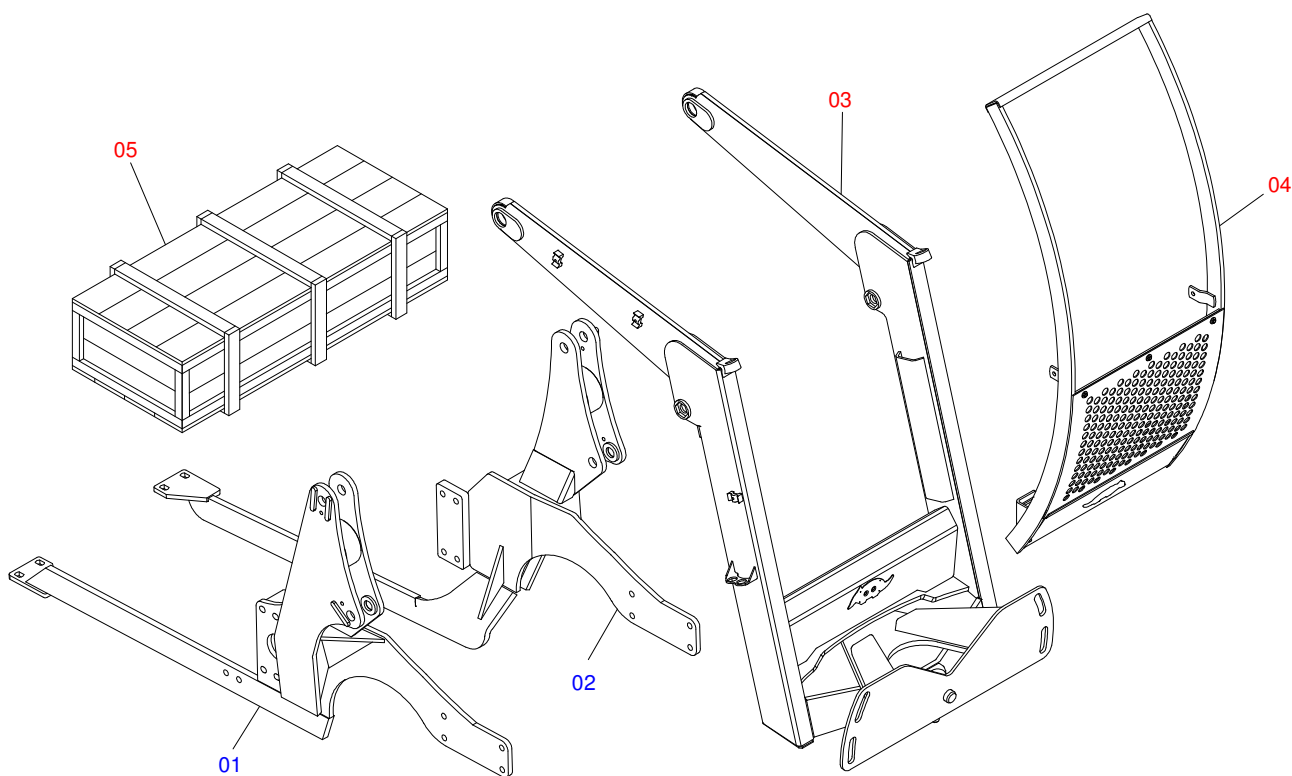
Code	Description
0106040349	PD NH 7630-4 BT SC SL GAL S-0608

## ATTENTION: **IMPORTANT**

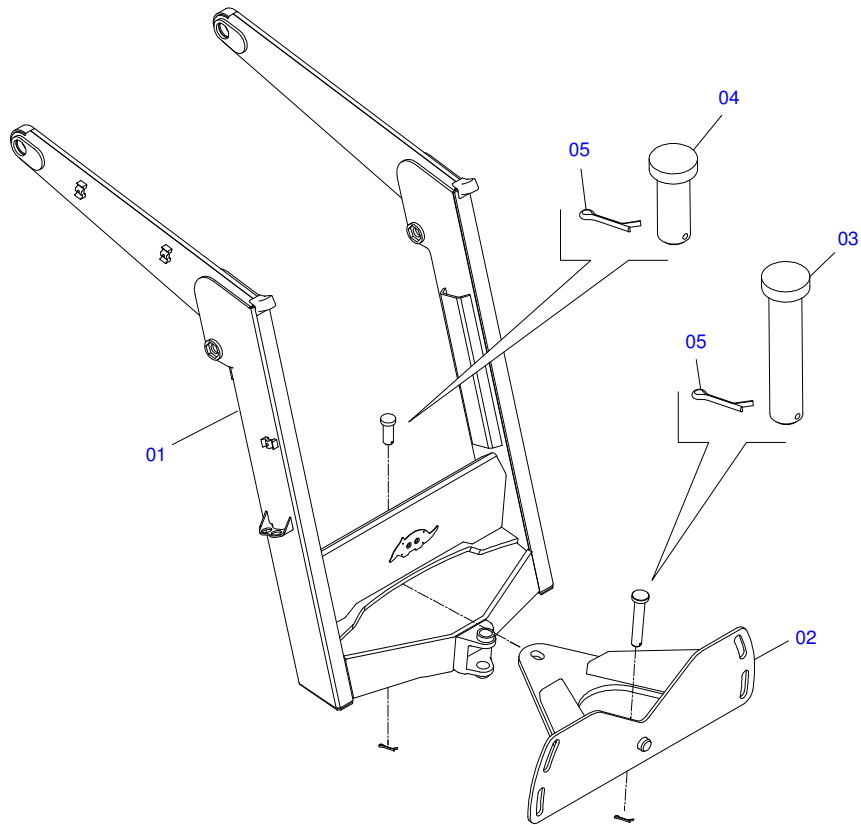
MARCHESAN S/A RESERVES THE RIGHT AT ANY TIME TO MAKE IMPROVEMENTS IN THE DESIGN, MATERIAL OR SPECIFICATIONS OF MACHINERY, EQUIPMENT OR PARTS WITHOUT THEREBY BECOMING LIABLE TO MAKE SIMILAR CHANGES IN MACHINERY, EQUIPMENT OR PARTS PREVIOUSLY SOLD.

# INDEX

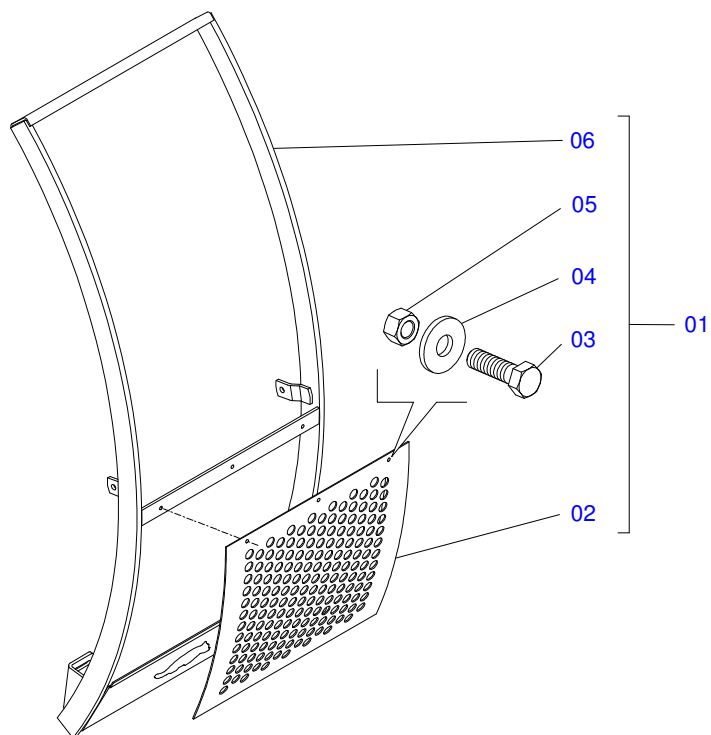
0106040349	PD NH 7630-4 BT SC SL GAL	.....	1
0501044604	MOBILE SUPPORT ASSY	.....	2
0511049956	MOBILE SUPPORT GUIDE ASSY	.....	3
0521022797	CX C/OMP PD NH 7630-4 BTS C SL GAL	.....	4
0511058414	HYDRAULIC CYLINDER - PD NH 7630-4	.....	5
0501058591	HOSE SET - PD NH 7630/8030-4 BT SC	.....	6
0511032402	PACKAGED PARTS - PD 76/8030-4 BT SC SL GAL	.....	7
0501053834	QUICK CONECTION (MALE) 1/2	.....	8
0501053835	FEMALE QUICK COUPLER	.....	9



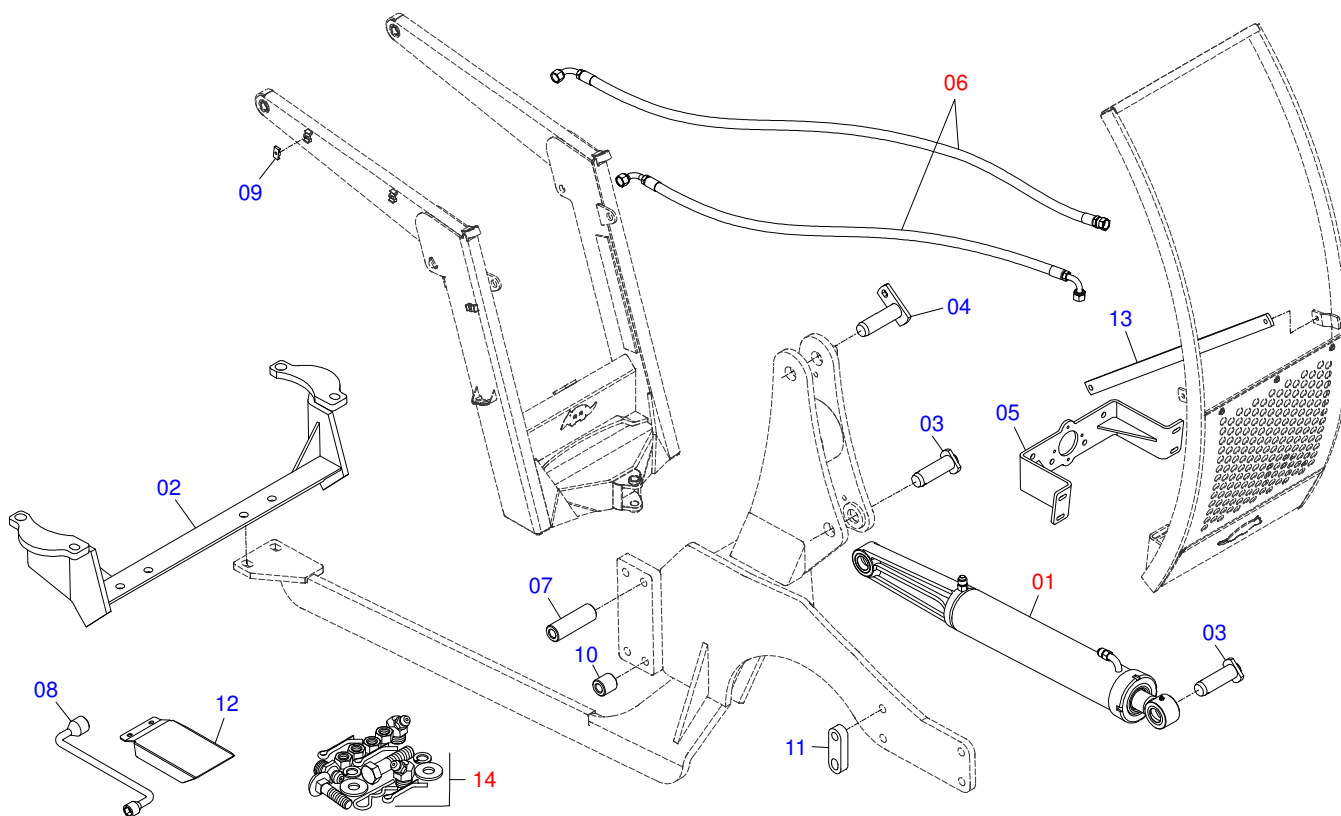
Item	Code	Description	QT
01	0521060451	RIGHT PD FRAME	01
02	0521060076	LEFT FRAME	01
03	0501044604	MOBILE SUPPORT ASSY	01
04	0511049956	MOBILE SUPPORT GUIDE ASSY	01
05	0521022797	CX C/OMP PD NH 7630-4 BTS C SL GAL	01



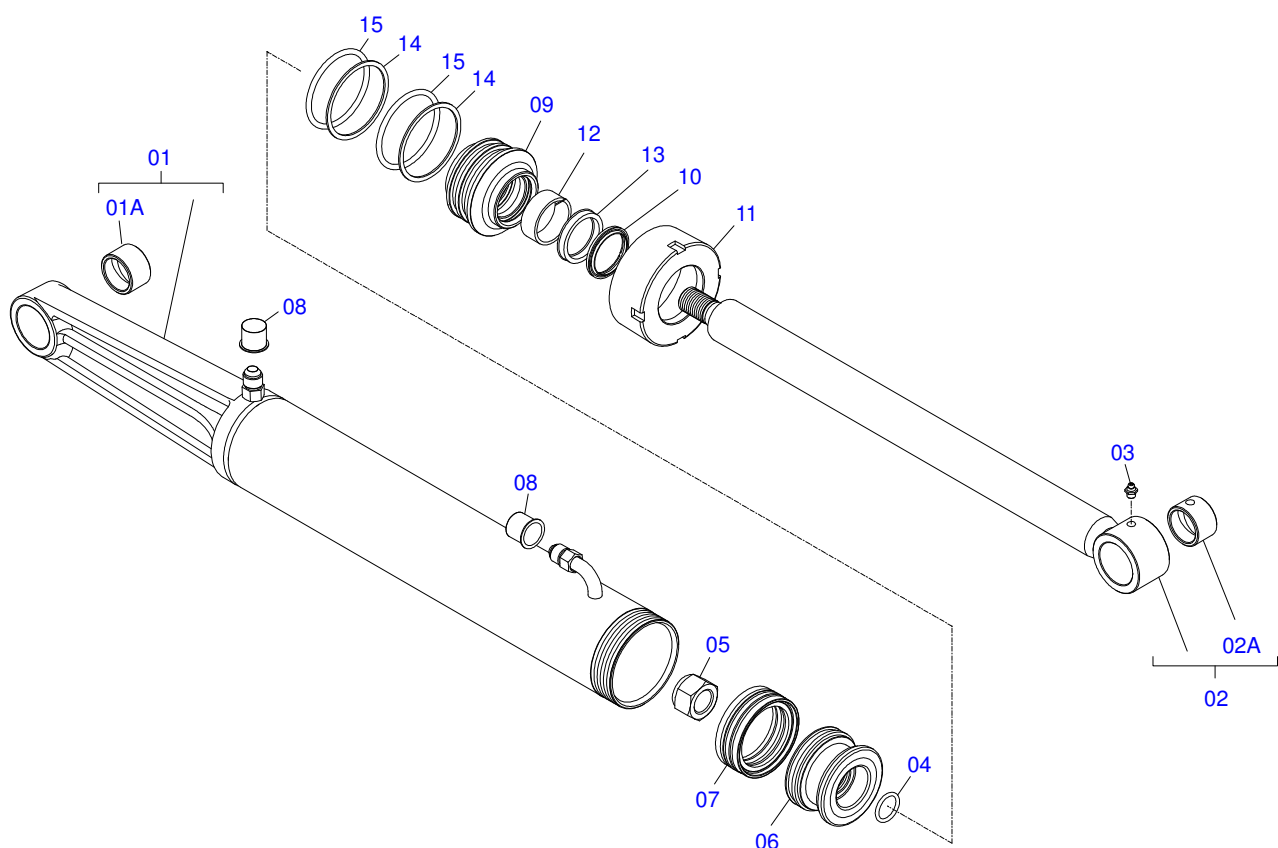
Item	Code	Description	QT
01	0521063348	MOBILE SUPPORT	01
02	0501062637	5/8" REGULATOR SUPPORT	01
03	0521010618	1.4" X 8.6" COUPLING SHAFT	01
04	0521010612	1.4" X 3.5" COUPLING SHAFT	01
05	0503010010	1/4" X 2.1/2" COTTERPIN	02



Item	Code	Description	QT
01	0511049956	MOBILE SUPPORT GUIDE ASSY	01
02	0501017431	FRONT PROTECTION	01
03	0503010751	C3/8" X 1.1/4" HEX BOLT G.5	03
04	0501010984	FLAT WASHER	03
05	0503010026	3/8" NUT	03
06	0521062696	GUIDE SUPPORT MOBILE	01

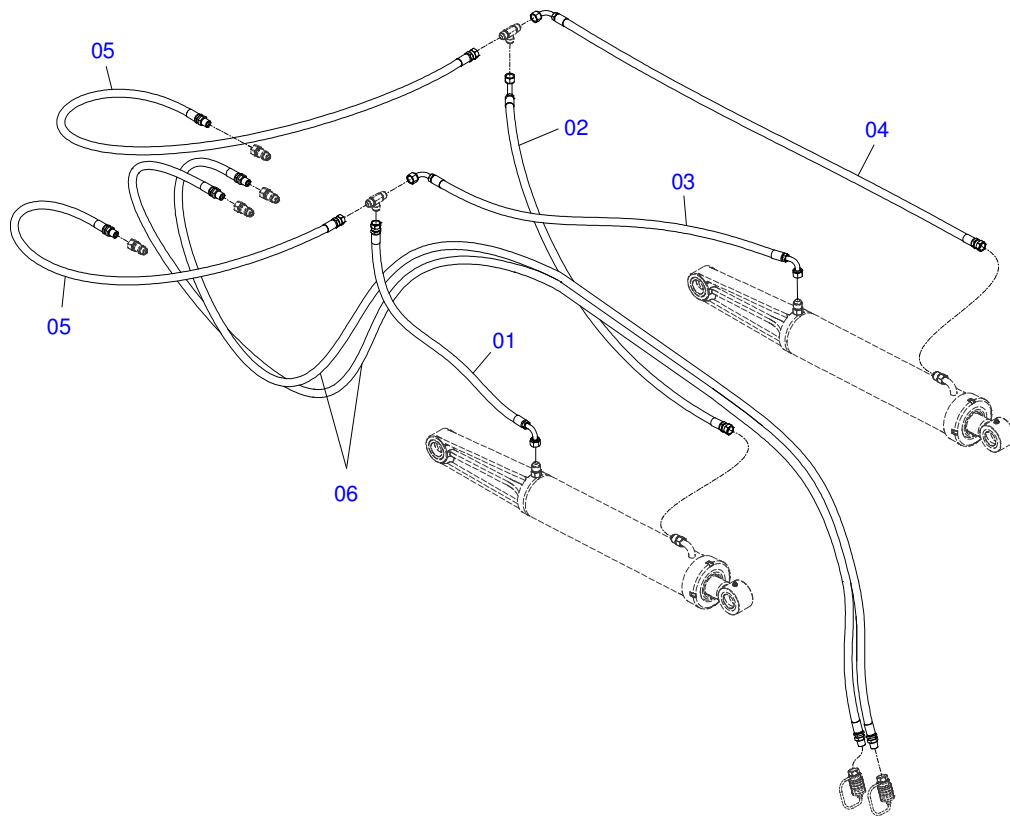


Item	Code	Description	QT
01	0511058414	HYDRAULIC CYLINDER - PD NH 7630-4	02
02	0521060106	FRAME FIXER SUPORT	01
03	0521063355	COUPLING SHAFT	02
04	0501063751	1.5" X 5.5" PIVOT SHAFT	04
05	0521060078	GUIDE PUMP SUPPORT	01
06	0501058591	HOSE SET - PD NH 7630/8030-4 BT SC	01
07	0561010487	22,23 X 44,45 X 137 SLEEVE	02
08	0501068213	5/8" WRENCH DOUBLE	01
09	0502010477	UPPER CLIP	03
10	0561010578	22,23 X 44,45 X 45 SLEEVE	02
11	0561010484	FRAME BAR CHOCK	04
12	0561010518	HOSE ASSY PROTECTOR	01
13	0511013560	ATTACHMENT BAR	02
14	0511032402	PACKAGED PARTS - PD 76/8030-4 BT SC SL GAL	01

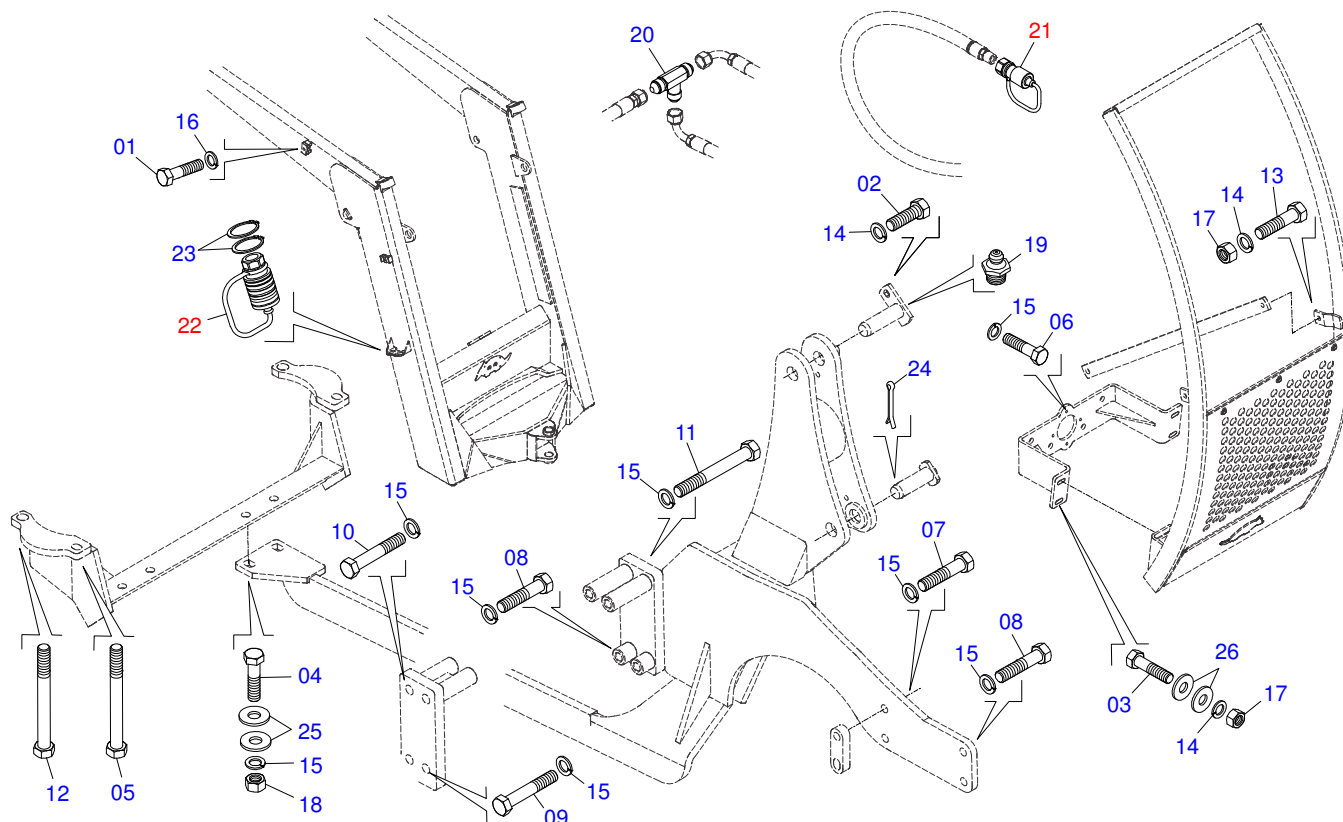


Item	Code	Description	QT
01	0521060114	101,60 X 590 CYLINDER CASE	01
01A	0521010514	38,1 X 52,9 X 50 SLEEVE INTER	01
02	0501068966	HYDRAULIC CYLINDER TURNBUCKLE	01
02A	0521010514	38,1 X 52,9 X 50 SLEEVE INTER	01
03	0503010002	1800 GREASE FITTING	01
04	0503010345	2-218 N 3006-9B O-RING	01
05	0503010817	1-1/4" SELF-ADJUSTING NUT	01
06	0502012842	50,80 X 101,60 PISTON	01
07	0503015633	SELEMASTER SEALING	01
08	0503030387	PLUG	02
09	0581010678	50,80 X 101 RING SUPPORT	01
10	0503015636	SCRAPER SEAL	01
11	0502012822	101,60 MOBILE COVER	01
12	0503018025	RING GUIDE	01
13	0503018026	1870-2000-375 B GASKET	01
14	0503011061	8-342 BACK-UP RING	02
15	0503010338	2-342 N 3006-9B O-RING	02

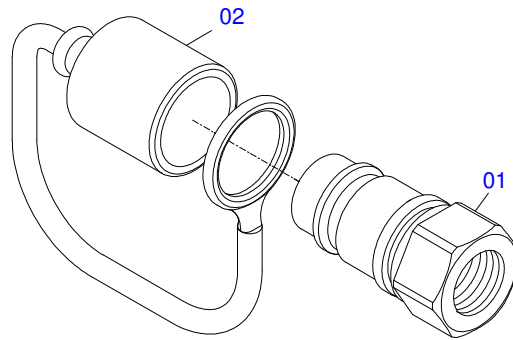




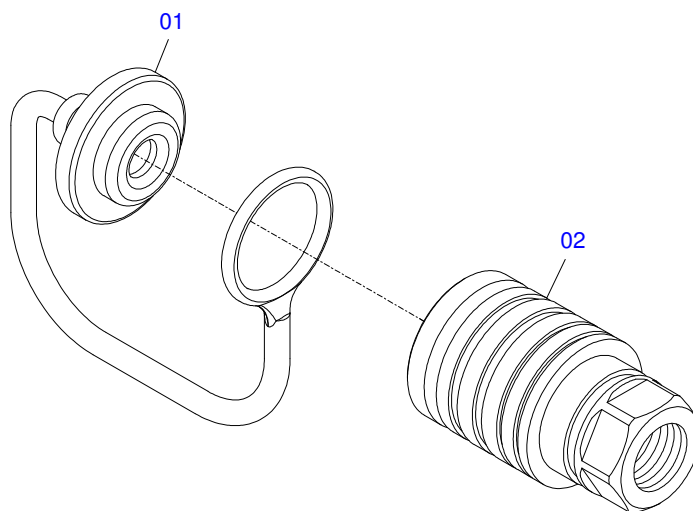
Item	Code	Description	QT
01	0501080030	1/2" X 53" TR-TC HOSE ASSY	01
02	0501080094	1/2 X 1800 TR-TC HOSE	01
03	0501081414	1/2 X 2250 TC-TC HOSE	01
04	0501080272	1/2 X 2700 TR-TC HOSE	01
05	0501080075	1/2 X 2400 TR-TM HOSE ASSY	02
06	0501081359	1/2 X 5500 TM-TM HOSE ASSY	02



Item	Code	Description	QT
01	0503012555	7/16" X 2" BOLT	03
02	0503010962	5/8" X 1-1/4" BOLT	06
03	0503010233	5/8" X 2-1/2" BOLT	06
04	0501010125	3/4" X 2-1/2" BOLT	04
05	0501010066	3/4" X 9" BOLT	04
06	0503013110	M20 X 2,5 X 50 BOLT	04
07	0503013112	M20 X 2,5 X 70 BOLT	08
08	0503013103	M20 X 2,5 X 90 BOLT	02
09	0503013090	M20 X 2,5 X 100 BOLT	02
10	0503013365	M20 X 2,5 X 140 BOLT	02
11	0503015049	M20 X 2,5 X 190 BOLT	02
12	0501010064	1" X 9" BOLT	02
13	0501010100	5/8 UNC X 2 C S G.5 BOLT	02
14	0503010027	SPRING WASHER	12
15	0503010023	SPRING WASHER	18
16	0503010180	7/16" SPRING WASHER	03
17	0503010013	5/8" NUT	06
18	0503010014	3/4" NUT	04
19	0503010002	1800 GREASE FITTING	08
20	0503013493	T CONNECTION MALE	02
21	0501053834	QUICK CONECTION (MALE) 1/2	04
22	0501053835	FEMALE QUICK COUPLER	02
23	0503010217	501040 CLAMPING RING (FOR AXLE)	04
24	0503010534	3/8 X 2-1/2 COTTERPIN	02
25	0501010322	FLAT WASHER	16
26	0501012140	FLAT WASHER	12



Item	Code	Description	QT
01	0503011627	QUICK CONNECTION (MALE) AGR 1/2 NPT	01
02	0503011882	QUICK CONNECTION COVER	01



Item	Code	Description	QT
01	0503011883	QUICK CONNECTION COVER	01
02	0503011628	FEMALE QUICK COUPLER	01





**MARCHESAN IMPLEMENTOS E MÁQUINAS AGRÍCOLAS TATU S.A.**

AV. Marchesan, 1979 - Post office box, 131 - CEP 15994-900 - Matão - SP - Brazil

Phone +55 16.3382-8282

(FAX Parts) + 55 16.3382. 8297 - (Export) + 55 16.3382.1003

e.mail: [tatu@marchesan.com.br](mailto:tatu@marchesan.com.br) [www.marchesan.com.br](http://www.marchesan.com.br)

**Technical Publications: Elaboration**

ALESSANDRA PATRICIA KAWAHARA CARRILI

**Technical Publications: Revision**

JOAO VIRGINIO ROCHA

*Contact Catálogo:*

*E-mail = [jgaspari@marchesan.com.br](mailto:jgaspari@marchesan.com.br)*

**ORIGINAL PARTS  
TATU**

