

PARTS CATALOG

FRONT LOADER

PD FORD NH 7630-4 BT CD S-0708

Code: 0501091436



Series: S-0708

Review: JULHO/08

ORIGINAL PARTS
TATU

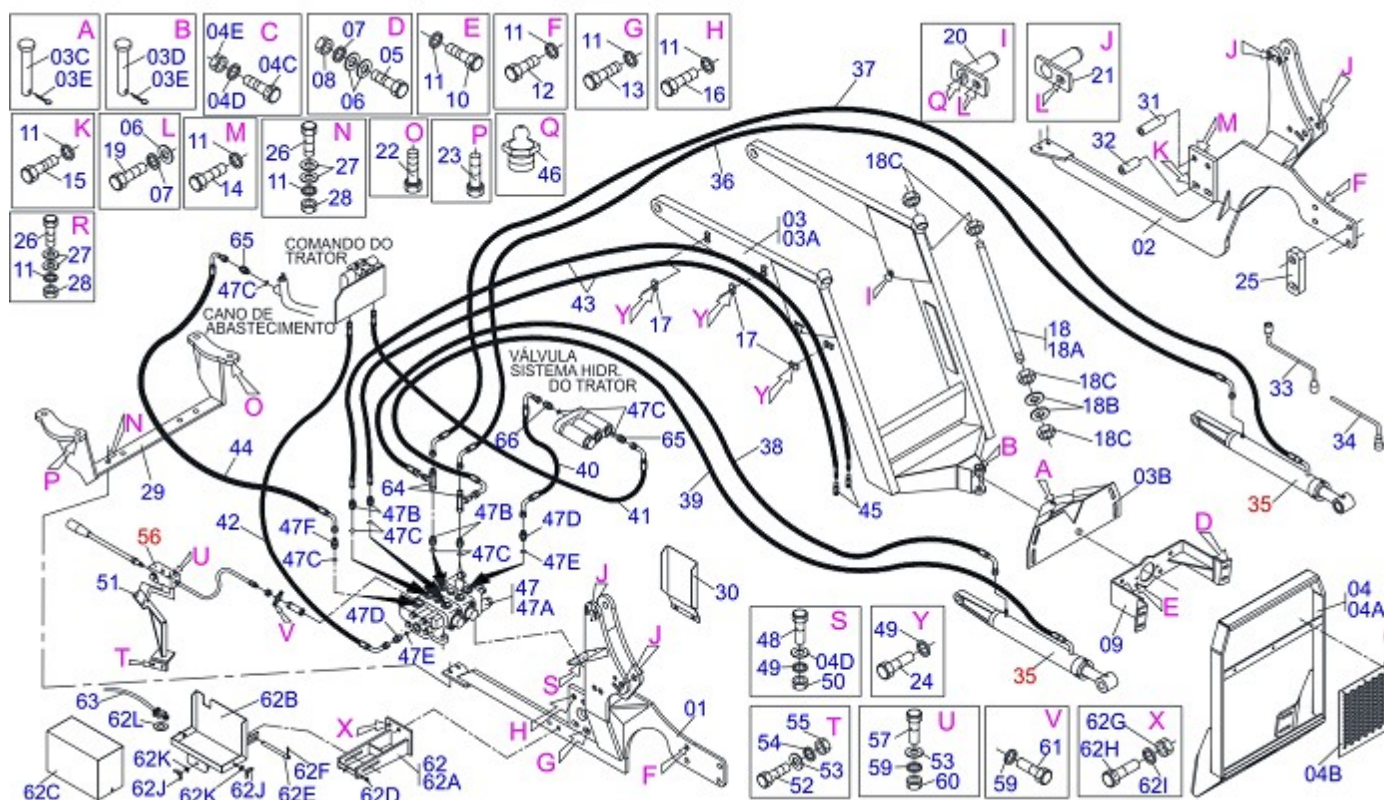


INDEX

0909093162	PD NH 7630-4 BT CD S-0708	1
0511047417	50,80 X 101,60 HYDRAULIC CYLINDER	2
0503015050	1000 MM CONTROL WIRE CABLE	3

ATTENTION: IMPORTANT

MARCHESAN RESERVES THE RIGHT AT ANY TIME TO MAKE IMPROVEMENTS IN THE DESIGN, MATERIAL OR SPECIFICATIONS OF MACHINERY, EQUIPMENT OR PARTS WITHOUT THEREBY BECOMING LIABLE TO MAKE SIMILAR CHANGES IN MACHINERY, EQUIPMENT OR PARTS PREVIOUSLY SOLD.



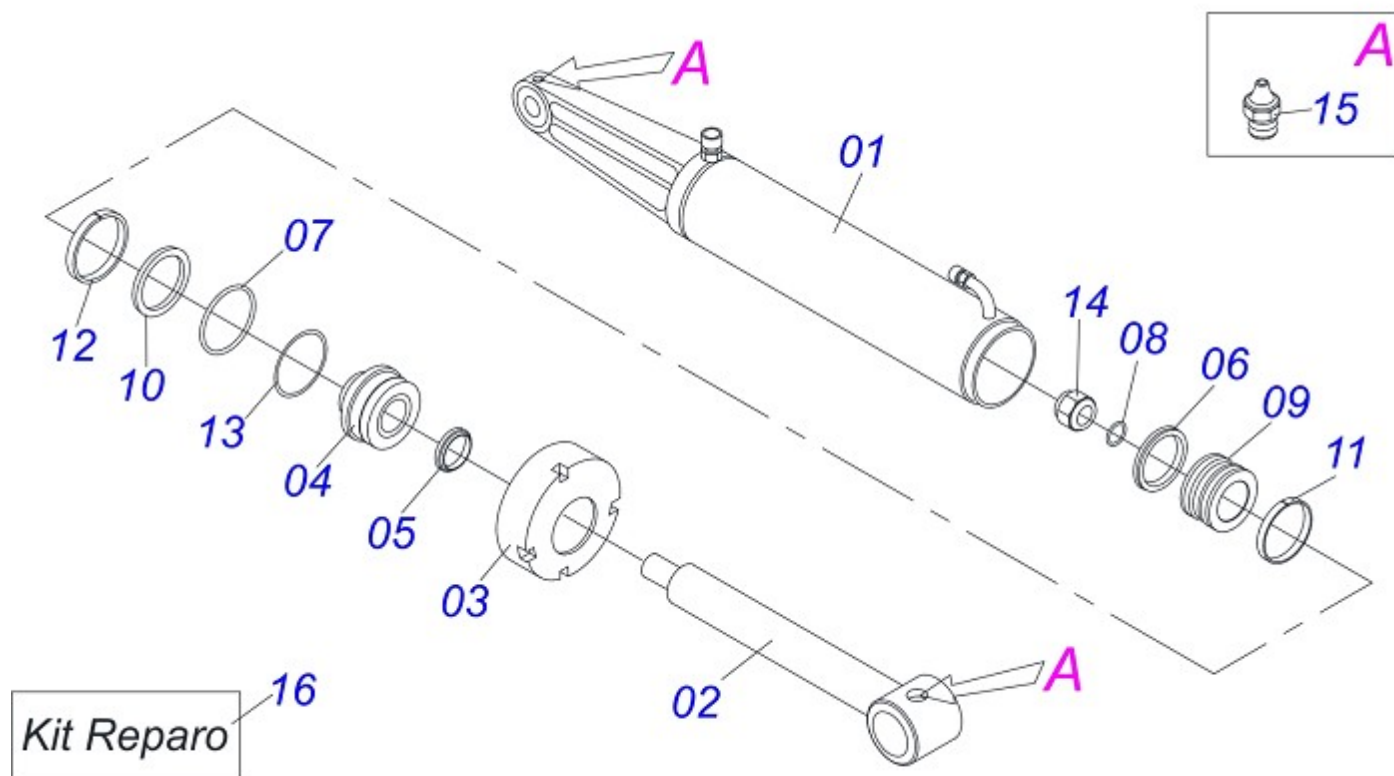
Item	Code	Description	QT
01	0521060451	RIGHT PD FRAME	01
02	0521060076	LEFT FRAME	01
03	0501044604	MOBILE SUPPORT ASSY	01
03A	0501066834	MOBILE SUPPORT	01
03B	0501062637	5/8" REGULATOR SUPPORT	01
03C	0521010618	1.4" X 8.6" COUPLING SHAFT	01
03D	0521010612	1.4" X 3.5" COUPLING SHAFT	01
03E	0503010010	1/4" X 2.1/2" COTTERPIN	02
04	0501041796	MOBILE SUPPORT GUIDE ASSY	01
04A	0501063133	MOBILE SUPPORT GUIDE	01
04B	0501014687	FRONT PROTECTION	01
04C	0503010751	3/8" X 1.1/4" HEX BOLT G.5	03
04D	0501010984	FLAT WASHER	06
04E	0503010026	3/8" NUT	06
05	0503010233	5/8" X 2-1/2" BOLT	06
06	0501012140	FLAT WASHER	14
07	0503010027	5/8" SPRING WASHER	12
08	0503010013	5/8" NUT	06
09	0521060078	GUIDE PUMP SUPPORT	01
10	0503013110	M20 X 2" BOLT	04
11	0503010023	3/4" SPRING WASHER	06
12	0503013112	M20 X 2.8" BOLT	08
13	0503013103	M20 X 3.5" BOLT	02
14	0503015049	M20 X 2,5 X 190 BOLT	02
15	0503013090	M20 X 4" BOLT	02
16	0503013365	M20 X 0.098" X 5.52 BOLT	02
17	0502010477	UPPER CLAMP BODY	03
18	0501041427	1.1/4" NC X 1540 ROD	02
18A	0501014250	1.1/4" X 1540 ROD	02
18B	0502012180	CONICAL SPRING WASHER	08
18C	0501010087	1.1/4" UNC NUT	08
19	0503010962	5/8" X 1-1/4" BOLT	06
20	0501063958	1.5" X 4.3" PIVOT SHAFT LOCK	02



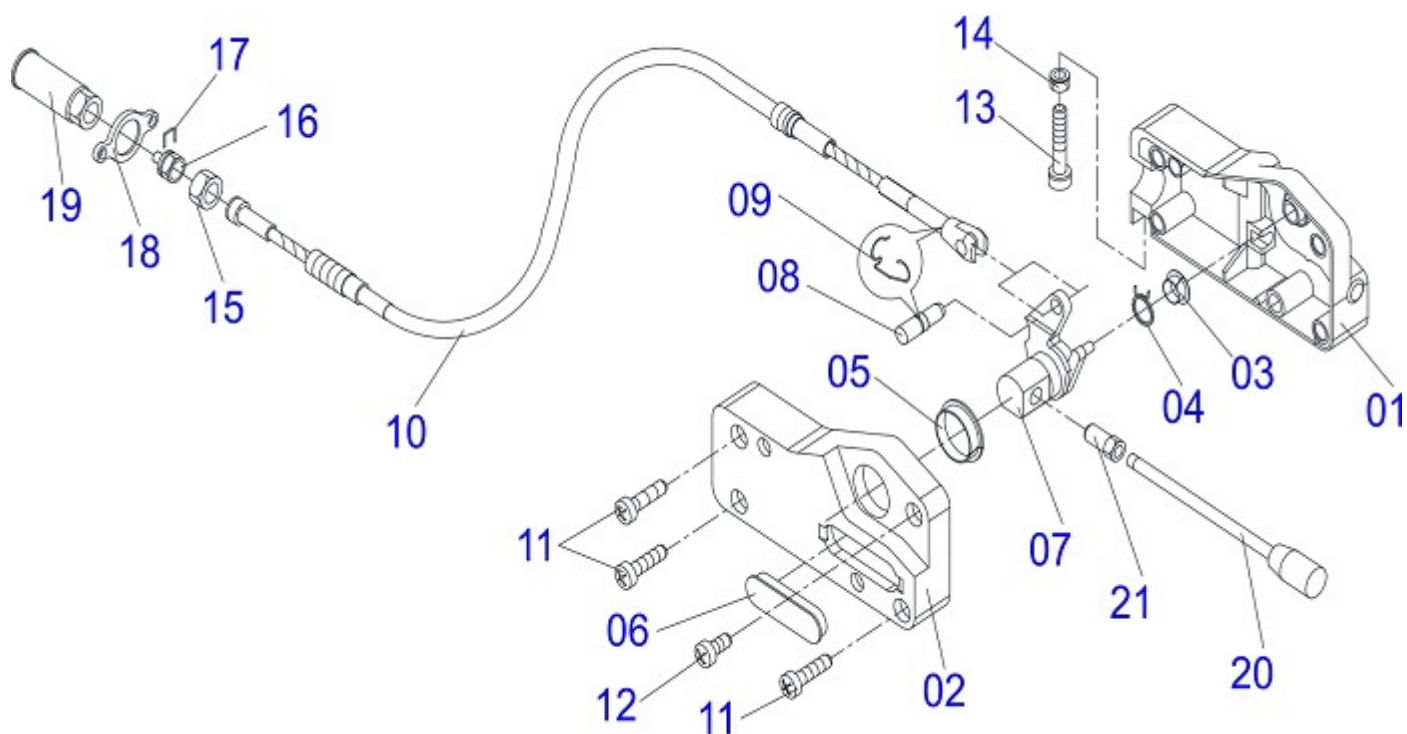
Item	Code	Description	QT
21	0501063751	1.5" X 5.5" PIVOT SHAFT	04
22	0501010064	1" X 9" BOLT	02
23	0501010066	3/4" X 9" BOLT	04
24	0503010751	3/8" X 1.1/4" HEX BOLT G.5	03
25	0561010484	FRAME BAR CHOCK	04
26	0501010125	3/4" X 2-1/2" BOLT	04
27	0501010322	FLAT WASHER	08
28	0503010014	3/4" NUT	04
29	0521060106	FRAME FIXER SUPORT	01
30	0561010518	HOSE ASSY PROTECTOR	01
31	0561010487	22,23 X 44,45 X 137 SLEEVE	02
32	0561010578	22,23 X 44,45 X 45 SLEEVE	02
33	0501068213	5/8" WRENCH DOUBLE	01
34	0501061617	1" WRENCH CYLINDRICAL HEX	01
35	0511047395	HYDRAULIC CYLINDER	02
36	0501081414	1/2 X 2250 TC-TC HOSE	01
37	0501080272	1/2 X 2700 TR-TC HOSE	01
38	0501080030	1/2" X 53" TR-TC HOSE ASSY	02
39	0501080094	1/2 X 1800 TR-TC HOSE	01
40	0501080717	3/8" X 98" TC-TC HOSE ASSY	01
41	0501080328	3/8" X 29" TR-TC HOSE	02
42	0501080401	3/8" X 106" TR-TC HOSE ASSY	01
43	0501080246	1/2" X 102" TR-TM HOSE ASSY	02
44	0501080283	1/2" X 102.4" TC-TC HOSE ASSY	01
45	0501053835	FEMALE QUICK COUPLER	02
46	0503010002	GREASE FITTING	02
47	0511047734	1/2 DOBLE COMMAND	01
47A	0503060081	1/2" DOUBLE COMMAND	01
47B	0501010590	7/8" REDUCTION NIPPLE	04
47C	0503010045	2-116 N 3006-9B O'RING	05
47D	0521014704	HOSE NIPPLE 3/4 UNF	02
47E	0503011109	2-119 N 3006-9B O'RING	02
47F	0511018014	7/8"NF X 1.1/16 UN NIPPLE	01
48	0503010849	3/8" X 1-1/2" BOLT	03
49	0503010025	3/8" SPRING WHASHER	08
50	0503010026	3/8" NUT	06
51	0551019180	STEEL CABLE FIXER SUPORT	01
52	0503010371	5/16" X 1" BOLT	03
53	0501010694	FLAT WASHER	06
54	0503010179	5/16" SPRING WASHER	06
55	0503010337	5/16" NUT	03
56	0503014597	2000 MM CONTROL WIRE	01
57	0503011719	1/4" X 2-1/2" BOLT	06
58	0501010694	FLAT WASHER	06
59	0503010143	1/4" SPRING WASHER	10
60	0503010144	1/4" NUT	06
61	0503014141	M6 X 1 X 20 BOLT	04
62	0511044960	BATTERY BOX	01
62A	0511067446	BATTERY FIXER	01
62B	0511067447	BATTERY FIXER MOBILE	01
62C	0511067492	BATTERY BOX COVER	01
62D	0551010490	SLEEVE	02
62E	0551010491	BATTERY BOX AXLE	01
62F	0503010571	1/4" X 1.1/2" COTTERPIN	04
62G	0503010023	3/4" SPRING WASHER	02
62H	0501010125	3/4" X 2-1/2" BOLT	04
62I	0503010014	3/4" NUT	02
62J	0503010209	3/8" UNC BUTTERFLY NUT	03
62K	0503010357	FLAT WASHER	02
62L	0511017302	FLAT WASHER	01
63	0503015048	BATTERY CABLE	01
64	0503012341	"T" 7/8" ADAPOR GIRAT NUT	02



Item	Code	Description	QT
65	0541014313	7/8" X 1-1/32 RETURN NIPPLE	01
66	0511010111	7/8" NIPPLE	01



Item	Code	Description	
01	0521060113	101,60 X 558 CYLINDER CASE	01
02	0511069252	50,80 X 771,50 TURNBUCKLE	01
03	0502010017	4" HEAD	01
04	0502010778	2" X 4.2" RING SUPPORT	01
05	0503010039	D-2000 SCRAPER RING	01
06	0503010043	PACKING 3750-3250	02
07	0503010338	2-342 N 3006-9B O'RING	01
08	0503010345	2-218 N 3006-9B O'RING	01
09	0502010992	2.0" X 4.0" PISTON	01
10	0503010991	PACKING 1870-2000-375-B	01
11	0503010994	W2-4000-500 PK RING G.E	01
12	0503010952	W2-2250-500 PK RING G.E	01
13	0503011061	8-342 BACK-UP RING	01
14	0503010817	1.1/4" UNF SELF ADJUSTING NUT	01
15	0503010002	GREASE FITTING	02



Item	Code	Description	
01	0503015516	RIGHT SIDE	01
02	0503015517	LEFT SIDE	01
03	0503015518	SMALLER BUSHING	01
04	0503015519	SPRING	01
05	0503015520	SLEEVE GUIDES	01
06	0503015521	COVER	01
07	0503015522	ARTICULATION	01
08	0503015523	LOCK AXLE	01
09	0503015524	LOCK PIN	01
10	0503015525	1000 WIRE CABLE	01
11	0503015533	5/32" X 1" BOLT	03
12	0503015534	5/32" X 1" BOLT	01
13	0503015535	M6 X 45 X 1" BOLT	01
14	0503015536	M6 X 1" SELF NUT	01
15	0503015543	M 6 X 1,5 NUT	01
16	0503015537	CABLE FIXER	01
17	0503015538	NUT LOCK	01
18	0503015539	FASTENER	01
19	0503015540	TURNBUCKLE	01
20	0503015541	LEVER	01
21	0503015542	LEVER FIXER	01



MARCHESAN IMPLEMENTOS E MÁQUINAS AGRÍCOLAS TATU S.A.
AV. Marchesan, 1979 - Post office box, 131 - CEP 15994-900 - Matão - SP - Brazil
Phone +55 16.3382-8282
(FAX Parts) + 55 16.3382. 8297 - (Export) + 55 16.3382.1003
e.mail: tatu@marchesan.com.br www.marchesan.com.br

Drafting and Illustration = GASPARI
e.mail = jgaspari@marchesan.com.br

**ORIGINAL PARTS
TATU**

