

# PARTS CATALOG

## FRONT LOADER

PD FORD NH 7630-4 SHT S-0708

Code: 0501091435



Series: S-0708

Review: JULHO/08

ORIGINAL PARTS  
TATU

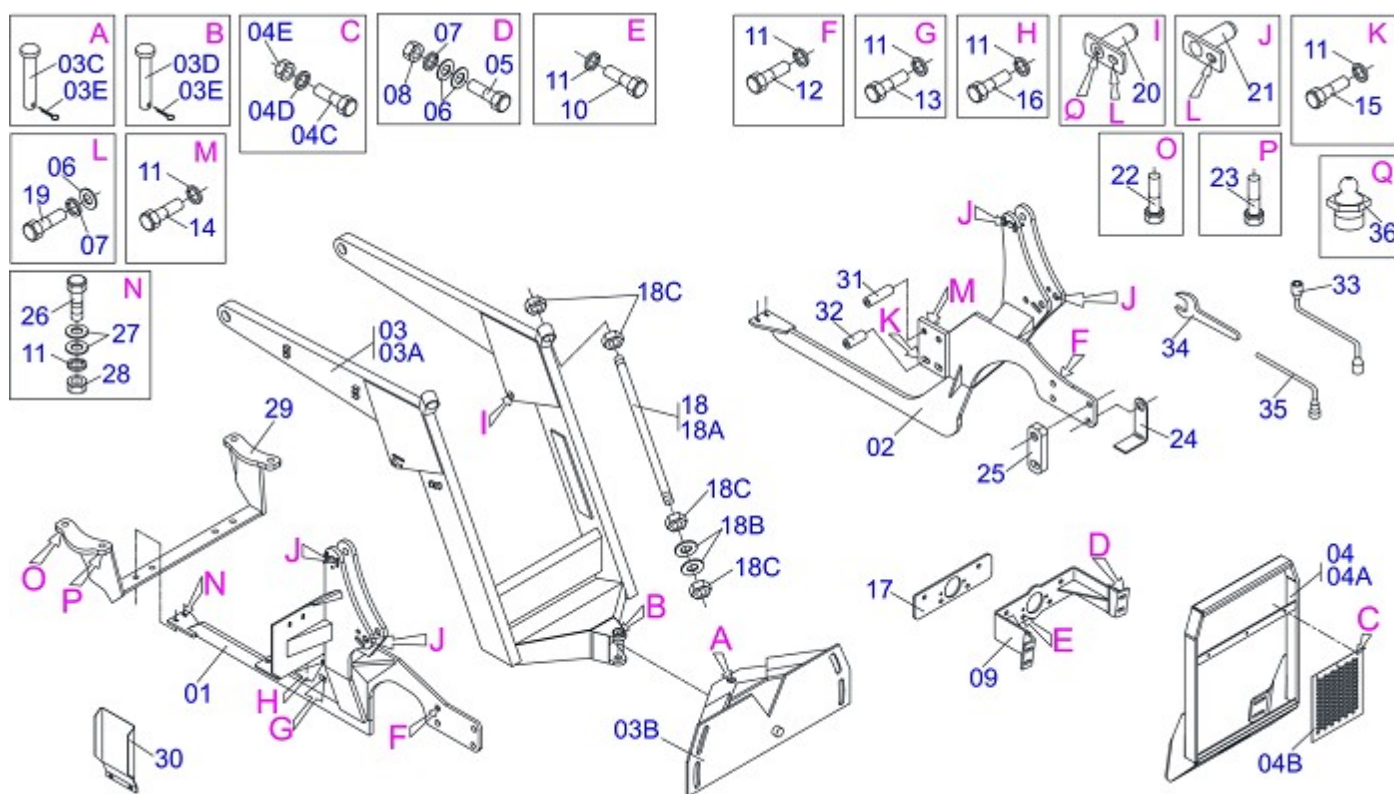


# INDEX

0909093089	PD NH 7630-4 SHT S-0708	.....	1
0909093166	PD NH 7630-4 SHT S-0708 CIRC. HYDR.	.....	2
0511047395	HYDRAULIC CYLINDER	.....	3
0503014597	2000 MM CONTROL WIRE	.....	4

**ATTENTION: IMPORTANT**

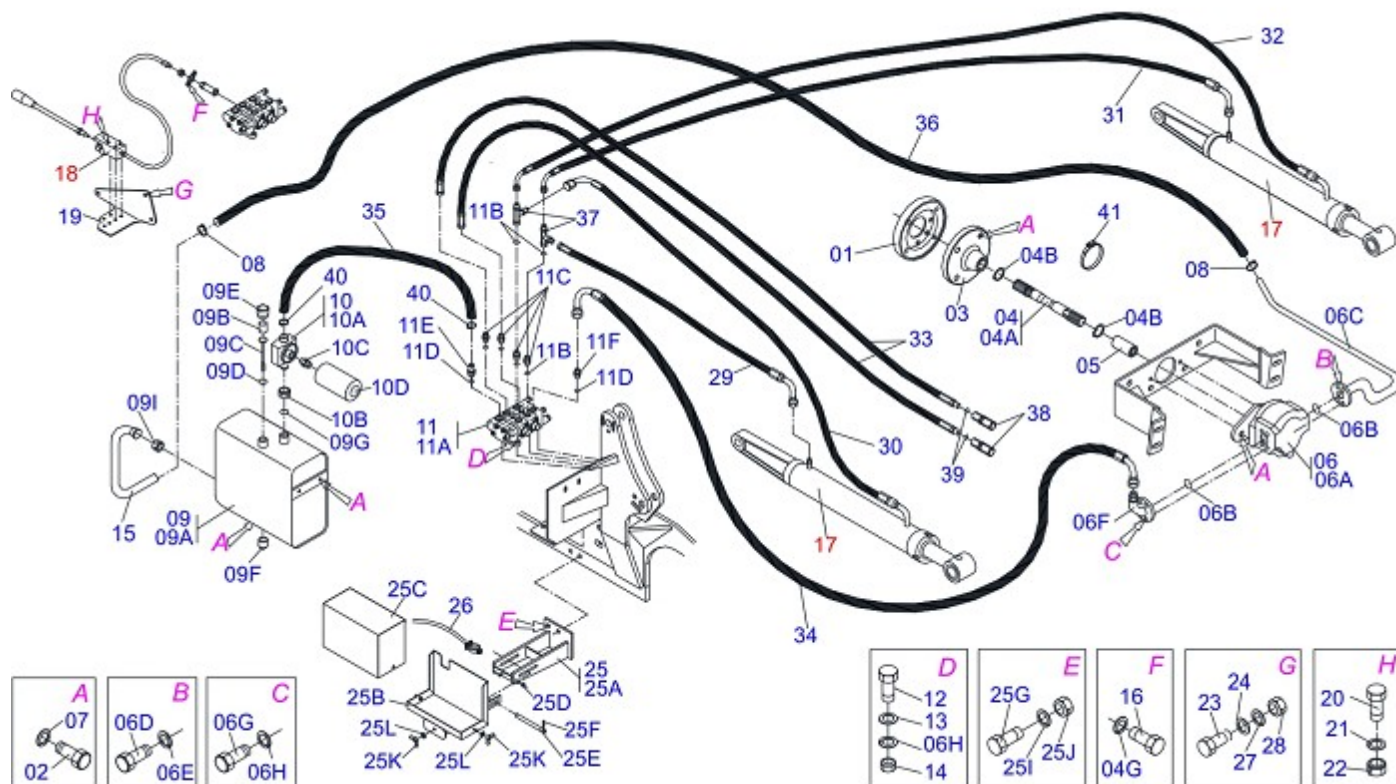
MARCHESAN RESERVES THE RIGHT AT ANY TIME TO MAKE IMPROVEMENTS IN THE DESIGN, MATERIAL OR SPECIFICATIONS OF MACHINERY, EQUIPMENT OR PARTS WITHOUT THEREBY BECOMING LIABLE TO MAKE SIMILAR CHANGES IN MACHINERY, EQUIPMENT OR PARTS PREVIOUSLY SOLD.



Item	Code	Description	QT
01	0521060077	RIGHT FRAME	01
02	0521060076	LEFT FRAME	01
03	0501044604	MOBILE SUPPORT ASSY	01
03A	0501066834	MOBILE SUPPORT	01
03B	0501062637	5/8" REGULATOR SUPPORT	01
03C	0521010618	1.4" X 8.6" COUPLING SHAFT	01
03D	0521010612	1.4" X 3.5" COUPLING SHAFT	01
03E	0503010010	1/4" X 2.1/2" COTTERPIN	02
04	0501041796	MOBILE SUPPORT GUIDE ASSY	01
04A	0501063133	MOBILE SUPPORT GUIDE	01
04B	0501014687	FRONT PROTECTION	01
04C	0503010751	3/8" X 1.1/4" HEX BOLT G.5	03
04D	0501010984	FLAT WASHER	03
04E	0501011338	3/8" SQUARE NUT	03
05	0503010233	5/8" X 2-1/2" BOLT	06
06	0501012140	FLAT WASHER	14
07	0503010027	5/8" SPRING WASHER	12
08	0503010013	5/8" NUT	06
09	0521060078	GUIDE PUMP SUPPORT	01
10	0503013110	M20 X 2" BOLT	04
11	0503010023	3/4" SPRING WASHER	06
12	0503013112	M20 X 2.8" BOLT	08
13	0503013103	M20 X 3.5" BOLT	02
14	0503015049	M20 X 2,5 X 190 BOLT	02
15	0503013090	M20 X 4" BOLT	02
16	0503013365	M20 X 0.098" X 5.52 BOLT	02
17	0561010519	PUMP SUPPORT CHOCK	01
18	0501041427	1.1/4" NC X 1540 ROD	02
18A	0501014250	1.1/4" X 1540 ROD	02
18B	0502012180	CONICAL SPRING WASHER	08
18C	0501010087	1.1/4" UNC NUT	08
19	0503010962	5/8" X 1-1/4" BOLT	06
20	0501063958	1.5" X 4.3" PIVOT SHAFT LOCK	02



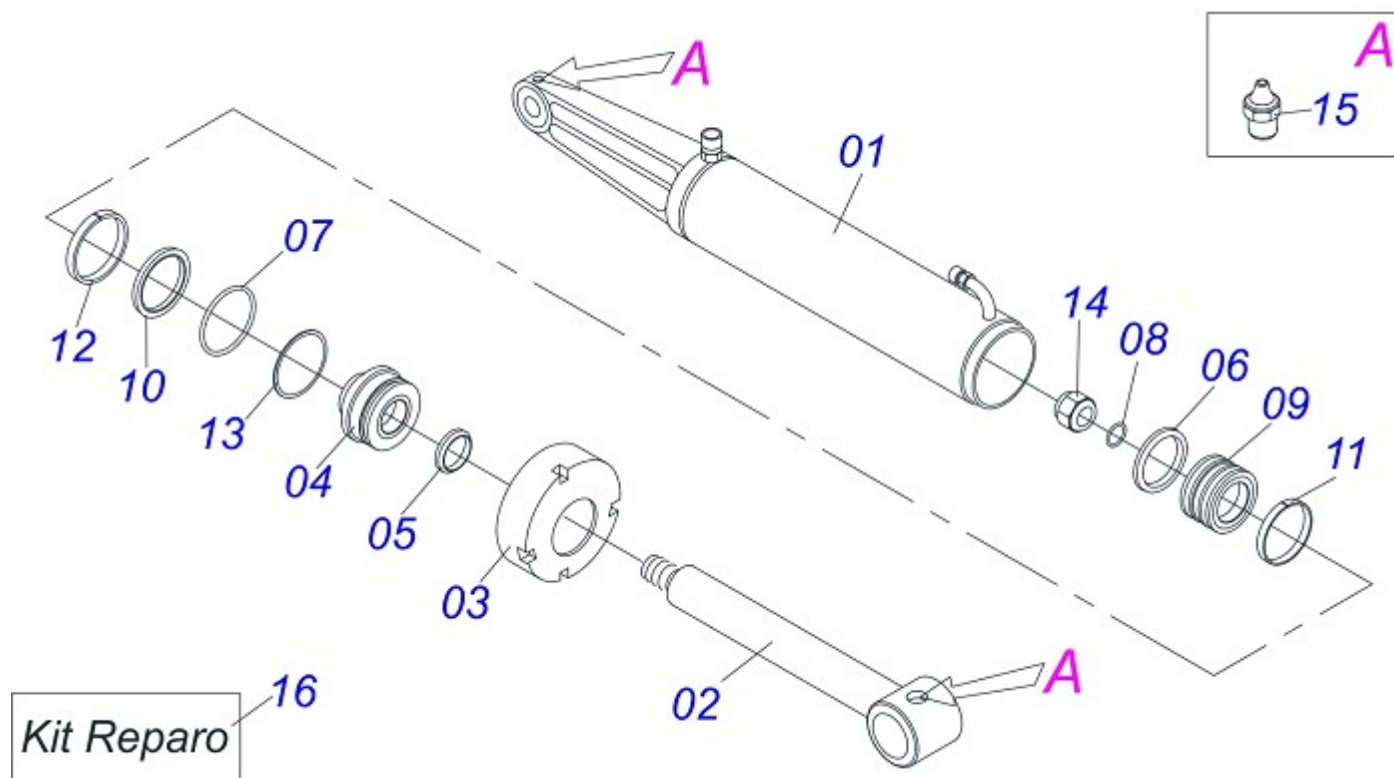
Item	Code	Description	QT
21	0501063751	1.5" X 5.5" PIVOT SHAFT	04
22	0501010064	1" X 9" BOLT	02
23	0501010066	3/4" X 9" BOLT	04
24	0561010557	HOSE ASSY FIXER SUPPORT	01
25	0561010484	FRAME BAR CHOCK	04
26	0501010125	3/4" X 2-1/2" BOLT	04
27	0501010322	FLAT WASHER	08
28	0503010014	3/4" NUT	04
29	0521060106	FRAME FIXER SUPORT	01
30	0561010518	HOSE ASSY PROTECTOR	01
31	0561010487	22,23 X 44,45 X 137 SLEEVE	02
32	0561010578	22,23 X 44,45 X 45 SLEEVE	02
33	0501068213	5/8" WRENCH DOUBLE	01
34	0511010153	2-5/16" FIXED WRENCH	01
35	0501061617	1" WRENCH CYLINDRICAL HEX	01
36	0503010002	GREASE FITTING	02



Item	Code	Description	QT
01	0551019179	FLANGE ADAPTER	01
02	0501010161	1/2" X 1-1/4" BOLT	10
03	0503050056	FLANGE COUPLING	01
04	0501058245	527 STRIATED AXLE	01
04A	0511069684	527 STRIATED AXLE	01
04B	0503010174	501028 CLAMPING RING (FOR AXLE)	02
05	0503030838	1-1/8" X 2.4" SLEEVE	01
06	0511047396	PUMP WITH TUBE	01
06A	0503061770	PUMP WITH TUBE	01
06B	0503010173	2-220 N 3006-9B O'RING	02
06C	0521060103	PUMP SUCTION TUBE	01
06D	0503010355	7/16" X 1" BOLT	04
06E	0503010180	7/16" SPRING WASHER	04
06F	0501069661	PUMP PRESSURE TUBE	01
06G	0503010237	3/8" X 1" HEX BOLT G5	04
06H	0503010025	3/8" SPRING WHASHER	04
07	0511017302	FLAT WASHER	04
08	0503010243	1-1/2" TO 2" CLAMP	02
09	0501049879	RESERVOIR OIL ASSY	01
09A	0511063248	RESERVOIR OIL	01
09B	0503030044	FILTERING ELEMENT	01
09C	0501060975	OIL GAGE	01
09D	0503010185	2-221 N 3006-9B O'RING	01
09E	0502020472	TANK COVER BODY	01
09F	0503031604	1/2" BSP PLUG	01
09G	0503010046	2-216 N 3006-9B O'RING	01
09H	0501016309	2" 1X 2.5/16" NUT	01
10	0501041108	RETURNING FILTER ASSY	01
10A	0502050002	RETURNING FILTER HEAD	01
10B	0501010594	1" NUT HEX	01
10C	0501010159	REDUCTION PLATE 100 X 10,5	01
10D	0503010183	RETURNING FILTER	01
11	0511046500	CD 1/2 S/LEVER FIXER CONTROL DOUBLE	01



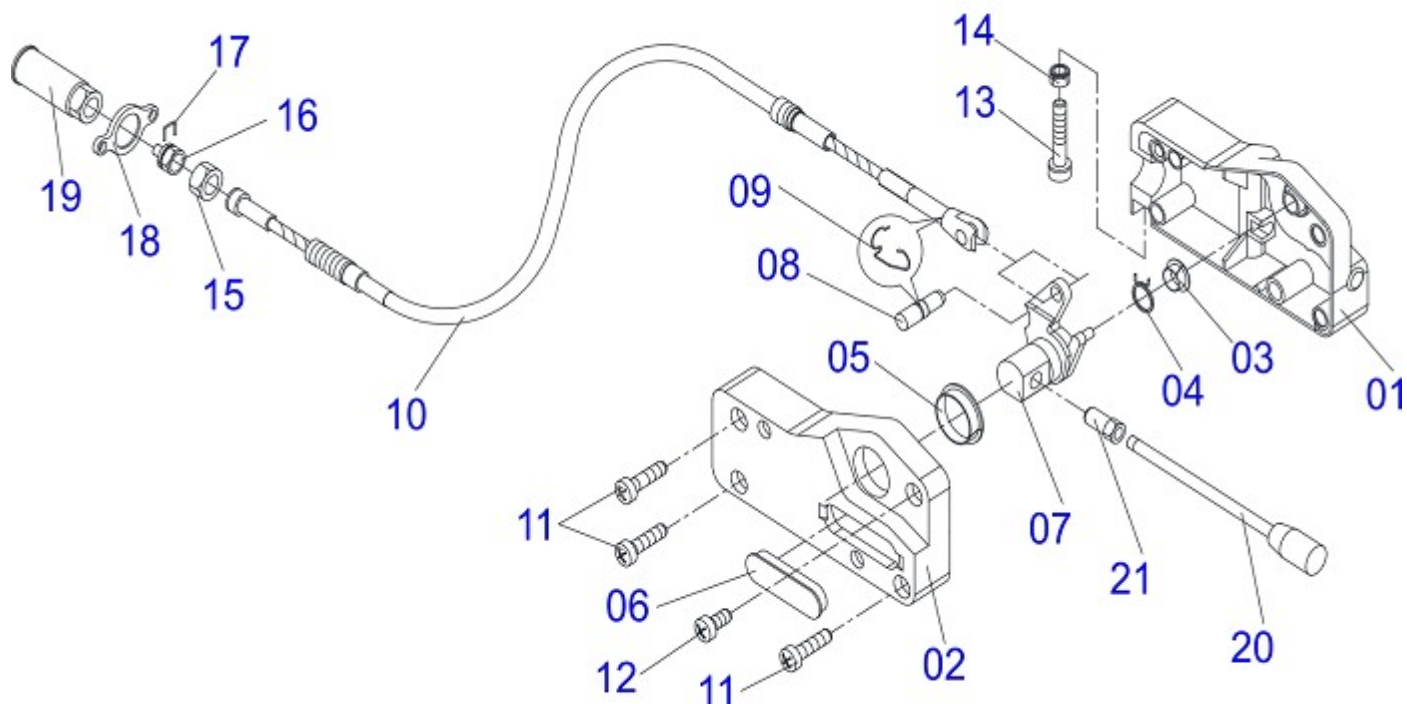
Item	Code	Description	QT
11A	0503061714	1/2" DOUBLE CONTROL VALVE	01
11B	0503010045	2-116 N 3006-9B O'RING	06
11C	0501010590	7/8" REDUCTION NIPPLE	04
11D	0503011109	2-119 N 3006-9B O'RING	02
11E	0501010591	HOSE NIPPLE	01
11F	0501010589	1-1/16 NIPPLE	01
12	0503010849	3/8" X 1-1/2" BOLT	03
13	0501010984	FLAT WASHER	10
14	0503010026	3/8" NUT	09
15	0521060102	TANK SUCTION TUBE	01
16	0503014141	M6 X 1 X 20 BOLT	04
17	0511047395	HYDRAULIC CYLINDER	02
18	0503014597	2000 MM CONTROL WIRE	02
19	0511068928	RATCHET DRIVING SUPORT	01
20	0503011719	1/4" X 2-1/2" BOLT	04
21	0503010143	1/4" SPRING WASHER	04
22	0503010144	1/4" NUT	04
23	0503010371	5/16" X 1" BOLT	03
24	0501010694	FLAT WASHER	03
25	0511044960	BATTERY BOX	01
25A	0511067446	BATTERY FIXER	01
25B	0511067447	BATTERY FIXER MOBILE	01
25C	0511067492	BATTERY BOX COVER	01
25D	0551010490	SLEEVE	02
25E	0551010491	BATTERY BOX AXLE	01
25F	0503010571	1/4" X 1.1/2" COTTERPIN	04
25G	0501011544	3/4" X 1-1/2" BOLT	02
25H	0501010098	3/4" X 2" BOLT	02
25I	0503010023	3/4" SPRING WASHER	02
25J	0503010014	3/4" NUT	02
25K	0503010209	3/8" UNC BUTTERFLY NUT	03
26	0503015048	BATTERY CABLE	01
27	0503010179	5/16" SPRING WASHER	03
28	0503010337	5/16" NUT	03
29	0501080030	1/2" X 53" TR-TC HOSE ASSY	01
30	0501080094	1/2 X 1800 TR-TC HOSE	01
31	0501081414	1/2 X 2250 TC-TC HOSE	01
32	0501080272	1/2 X 2700 TR-TC HOSE	01
33	0501080246	1/2" X 102" TR-TM HOSE ASSY	02
34	0501081425	3/4 X 2900 TC-TC 180G HOSE ASSY	01
35	0501010610	1" X 800 AB-AB HOSE	01
36	0561010501	1.1/4 X 1800 AB-AB HOSE ASSY	01
37	0503012341	"T" 7/8" ADAPOR GIRAT NUT	02
38	0501053835	FEMALE QUICK COUPLER	02
39	0503010217	501040 CLAMPING RING (FOR AXLE)	04
40	0503010184	1-1/4" TO 1-1/2" CLAMP	02
41	0503010246	2" TO 2/1/2" CLAMP	01



Item	Code	Description	QT
01	0521060114	101,60 X 590 CYLINDER CASE	01
02	0501068966	HYDRAULIC CYLINDER TURNBUCKLE	01
03	0502010017	4" HEAD	01
04	0502010778	2" X 4.2" RING SUPPORT	01
05	0503010039	D-2000 SCRAPER RING	01
06	0503010043	PACKING 3750-3250	02
07	0503010338	2-342 N 3006-9B O'RING	01
08	0503010345	2-218 N 3006-9B O'RING	01
09	0502010992	2.0" X 4.0" PISTON	01
10	0503010991	PACKING 1870-2000-375-B	01
11	0503010994	W2-4000-500 PK RING G.E	01
12	0503010952	W2-2250-500 PK RING G.E	01
13	0503011061	8-342 BACK-UP RING	01
14	0503010817	1.1/4" UNF SELF ADJUSTING NUT	01
15	0503010002	GREASE FITTING	01

2000 MM CONTROL WIRE

0503014597



Item	Code	Description	QT
00A	0503014597	2000 MM CONTROL WIRE	01
01	0503015516	RIGHT SIDE	01
02	0503015517	LEFT SIDE	01
03	0503015518	SMALLER BUSHING	01
04	0503015519	SPRING	01
05	0503015520	SLEEVE GUIDES	01
06	0503015521	COVER	01
07	0503015522	ARTICULATION	01
08	0503015523	LOCK AXLE	01
09	0503015524	LOCK PIN	01
10	0503015528	2000 WIRE CABLE	01
11	0503015533	5/32" X 1" BOLT	03
12	0503015534	5/32" X 1" BOLT	01
13	0503015535	M6 X 45 X 1" BOLT	01
14	0503015536	M6 X 1" SELF NUT	01
15	0503015543	M 6 X 1,5 NUT	01
16	0503015537	CABLE FIXER	16
17	0503015538	NUT LOCK	01
18	0503015539	FASTENER	01
19	0503015540	TURNBUCKLE	01
20	0503015541	LEVER	01
21	0503015542	LEVER FIXER	01







**MARCHESAN IMPLEMENTOS E MÁQUINAS AGRÍCOLAS TATU S.A.**  
AV. Marchesan, 1979 - Post office box, 131 - CEP 15994-900 - Matão - SP - Brazil  
Phone +55 16.3382-8282  
(FAX Parts) + 55 16.3382. 8297 - (Export) + 55 16.3382.1003  
e.mail: [tatu@marchesan.com.br](mailto:tatu@marchesan.com.br)    [www.marchesan.com.br](http://www.marchesan.com.br)

*Drafting and Illustration = GASPARI*  
*e.mail = [jgaspari@marchesan.com.br](mailto:jgaspari@marchesan.com.br)*

**ORIGINAL PARTS  
TATU**



# **PARTS CATALOG**

## **FRONT LOADER**

**PD FORD NH 7630-4 SHT S-0708**

**Code: 0501091435**



**Series: S-0708**

**Review: JULHO/08**

**ORIGINAL PARTS  
TATU**



# INDEX

0909093089	PD NH 7630-4 SHT S-0708	.....	1
0909093166	PD NH 7630-4 SHT S-0708 CIRC. HYDR.	.....	2
0511047395	HYDRAULIC CYLINDER	.....	3
0503014597	2000 MM CONTROL WIRE	.....	4

**ATTENTION: IMPORTANT**

MARCHESAN RESERVES THE RIGHT AT ANY TIME TO MAKE IMPROVEMENTS IN THE DESIGN, MATERIAL OR SPECIFICATIONS OF MACHINERY, EQUIPMENT OR PARTS WITHOUT THEREBY BECOMING LIABLE TO MAKE SIMILAR CHANGES IN MACHINERY, EQUIPMENT OR PARTS PREVIOUSLY SOLD.



Item	Code	Description	QT
01	0521060077	RIGHT FRAME	01
02	0521060076	LEFT FRAME	01
03	0501044604	MOBILE SUPPORT ASSY	01
03A	0501066834	MOBILE SUPPORT	01
03B	0501062637	5/8" REGULATOR SUPPORT	01
03C	0521010618	1.4" X 8.6" COUPLING SHAFT	01
03D	0521010612	1.4" X 3.5" COUPLING SHAFT	01
03E	0503010010	1/4" X 2.1/2" COTTERPIN	02
04	0501041796	MOBILE SUPPORT GUIDE ASSY	01
04A	0501063133	MOBILE SUPPORT GUIDE	01
04B	0501014687	FRONT PROTECTION	01
04C	0503010751	3/8" X 1.1/4" HEX BOLT G.5	03
04D	0501010984	FLAT WASHER	03
04E	0501011338	3/8" SQUARE NUT	03
05	0503010233	5/8" X 2-1/2" BOLT	06
06	0501012140	FLAT WASHER	14
07	0503010027	5/8" SPRING WASHER	12
08	0503010013	5/8" NUT	06
09	0521060078	GUIDE PUMP SUPPORT	01
10	0503013110	M20 X 2" BOLT	04
11	0503010023	3/4" SPRING WASHER	06
12	0503013112	M20 X 2.8" BOLT	08
13	0503013103	M20 X 3.5" BOLT	02
14	0503015049	M20 X 2,5 X 190 BOLT	02
15	0503013090	M20 X 4" BOLT	02
16	0503013365	M20 X 0.098" X 5.52 BOLT	02
17	0561010519	PUMP SUPPORT CHOCK	01
18	0501041427	1.1/4" NC X 1540 ROD	02
18A	0501014250	1.1/4" X 1540 ROD	02
18B	0502012180	CONICAL SPRING WASHER	08
18C	0501010087	1.1/4" UNC NUT	08
19	0503010962	5/8" X 1-1/4" BOLT	06
20	0501063958	1.5" X 4.3" PIVOT SHAFT LOCK	02



Item	Code	Description	QT
21	0501063751	1.5" X 5.5" PIVOT SHAFT	04
22	0501010064	1" X 9" BOLT	02
23	0501010066	3/4" X 9" BOLT	04
24	0561010557	HOSE ASSY FIXER SUPPORT	01
25	0561010484	FRAME BAR CHOCK	04
26	0501010125	3/4" X 2-1/2" BOLT	04
27	0501010322	FLAT WASHER	08
28	0503010014	3/4" NUT	04
29	0521060106	FRAME FIXER SUPORT	01
30	0561010518	HOSE ASSY PROTECTOR	01
31	0561010487	22,23 X 44,45 X 137 SLEEVE	02
32	0561010578	22,23 X 44,45 X 45 SLEEVE	02
33	0501068213	5/8" WRENCH DOUBLE	01
34	0511010153	2-5/16" FIXED WRENCH	01
35	0501061617	1" WRENCH CYLINDRICAL HEX	01
36	0503010002	GREASE FITTING	02



Item	Code	Description	QT
01	0551019179	FLANGE ADAPTER	01
02	0501010161	1/2" X 1-1/4" BOLT	10
03	0503050056	FLANGE COUPLING	01
04	0501058245	527 STRIATED AXLE	01
04A	0511069684	527 STRIATED AXLE	01
04B	0503010174	501028 CLAMPING RING (FOR AXLE)	02
05	0503030838	1-1/8" X 2.4" SLEEVE	01
06	0511047396	PUMP WITH TUBE	01
06A	0503061770	PUMP WITH TUBE	01
06B	0503010173	2-220 N 3006-9B O'RING	02
06C	0521060103	PUMP SUCTION TUBE	01
06D	0503010355	7/16" X 1" BOLT	04
06E	0503010180	7/16" SPRING WASHER	04
06F	0501069661	PUMP PRESSURE TUBE	01
06G	0503010237	3/8" X 1" HEX BOLT G5	04
06H	0503010025	3/8" SPRING WHASHER	04
07	0511017302	FLAT WASHER	04
08	0503010243	1-1/2" TO 2" CLAMP	02
09	0501049879	RESERVOIR OIL ASSY	01
09A	0511063248	RESERVOIR OIL	01
09B	0503030044	FILTERING ELEMENT	01
09C	0501060975	OIL GAGE	01
09D	0503010185	2-221 N 3006-9B O'RING	01
09E	0502020472	TANK COVER BODY	01
09F	0503031604	1/2" BSP PLUG	01
09G	0503010046	2-216 N 3006-9B O'RING	01
09H	0501016309	2" 1X 2.5/16" NUT	01
10	0501041108	RETURNING FILTER ASSY	01
10A	0502050002	RETURNING FILTER HEAD	01
10B	0501010594	1" NUT HEX	01
10C	0501010159	REDUCTION PLATE 100 X 10,5	01
10D	0503010183	RETURNING FILTER	01
11	0511046500	CD 1/2 S/LEVER FIXER CONTROL DOUBLE	01



Item	Code	Description	QT
11A	0503061714	1/2" DOUBLE CONTROL VALVE	01
11B	0503010045	2-116 N 3006-9B O'RING	06
11C	0501010590	7/8" REDUCTION NIPPLE	04
11D	0503011109	2-119 N 3006-9B O'RING	02
11E	0501010591	HOSE NIPPLE	01
11F	0501010589	1-1/16 NIPPLE	01
12	0503010849	3/8" X 1-1/2" BOLT	03
13	0501010984	FLAT WASHER	10
14	0503010026	3/8" NUT	09
15	0521060102	TANK SUCTION TUBE	01
16	0503014141	M6 X 1 X 20 BOLT	04
17	0511047395	HYDRAULIC CYLINDER	02
18	0503014597	2000 MM CONTROL WIRE	02
19	0511068928	RATCHET DRIVING SUPORT	01
20	0503011719	1/4" X 2-1/2" BOLT	04
21	0503010143	1/4" SPRING WASHER	04
22	0503010144	1/4" NUT	04
23	0503010371	5/16" X 1" BOLT	03
24	0501010694	FLAT WASHER	03
25	0511044960	BATTERY BOX	01
25A	0511067446	BATTERY FIXER	01
25B	0511067447	BATTERY FIXER MOBILE	01
25C	0511067492	BATTERY BOX COVER	01
25D	0551010490	SLEEVE	02
25E	0551010491	BATTERY BOX AXLE	01
25F	0503010571	1/4" X 1.1/2" COTTERPIN	04
25G	0501011544	3/4" X 1-1/2" BOLT	02
25H	0501010098	3/4" X 2" BOLT	02
25I	0503010023	3/4" SPRING WASHER	02
25J	0503010014	3/4" NUT	02
25K	0503010209	3/8" UNC BUTTERFLY NUT	03
26	0503015048	BATTERY CABLE	01
27	0503010179	5/16" SPRING WASHER	03
28	0503010337	5/16" NUT	03
29	0501080030	1/2" X 53" TR-TC HOSE ASSY	01
30	0501080094	1/2 X 1800 TR-TC HOSE	01
31	0501081414	1/2 X 2250 TC-TC HOSE	01
32	0501080272	1/2 X 2700 TR-TC HOSE	01
33	0501080246	1/2" X 102" TR-TM HOSE ASSY	02
34	0501081425	3/4 X 2900 TC-TC 180G HOSE ASSY	01
35	0501010610	1" X 800 AB-AB HOSE	01
36	0561010501	1.1/4 X 1800 AB-AB HOSE ASSY	01
37	0503012341	"T" 7/8" ADAPOR GIRAT NUT	02
38	0501053835	FEMALE QUICK COUPLER	02
39	0503010217	501040 CLAMPING RING (FOR AXLE)	04
40	0503010184	1-1/4" TO 1-1/2" CLAMP	02
41	0503010246	2" TO 2/1/2" CLAMP	01





Item	Code	Description	QT
01	0521060114	101,60 X 590 CYLINDER CASE	01
02	0501068966	HYDRAULIC CYLINDER TURNBUCKLE	01
03	0502010017	4" HEAD	01
04	0502010778	2" X 4.2" RING SUPPORT	01
05	0503010039	D-2000 SCRAPER RING	01
06	0503010043	PACKING 3750-3250	02
07	0503010338	2-342 N 3006-9B O'RING	01
08	0503010345	2-218 N 3006-9B O'RING	01
09	0502010992	2.0" X 4.0" PISTON	01
10	0503010991	PACKING 1870-2000-375-B	01
11	0503010994	W2-4000-500 PK RING G.E	01
12	0503010952	W2-2250-500 PK RING G.E	01
13	0503011061	8-342 BACK-UP RING	01
14	0503010817	1.1/4" UNF SELF ADJUSTING NUT	01
15	0503010002	GREASE FITTING	01



Item	Code	Description	QT
00A	0503014597	2000 MM CONTROL WIRE	01
01	0503015516	RIGHT SIDE	01
02	0503015517	LEFT SIDE	01
03	0503015518	SMALLER BUSHING	01
04	0503015519	SPRING	01
05	0503015520	SLEEVE GUIDES	01
06	0503015521	COVER	01
07	0503015522	ARTICULATION	01
08	0503015523	LOCK AXLE	01
09	0503015524	LOCK PIN	01
10	0503015528	2000 WIRE CABLE	01
11	0503015533	5/32" X 1" BOLT	03
12	0503015534	5/32" X 1" BOLT	01
13	0503015535	M6 X 45 X 1" BOLT	01
14	0503015536	M6 X 1" SELF NUT	01
15	0503015543	M 6 X 1,5 NUT	01
16	0503015537	CABLE FIXER	16
17	0503015538	NUT LOCK	01
18	0503015539	FASTENER	01
19	0503015540	TURNBUCKLE	01
20	0503015541	LEVER	01
21	0503015542	LEVER FIXER	01





**MARCHESAN**

**MARCHESAN IMPLEMENTOS E MÁQUINAS AGRÍCOLAS TATU S.A.**

AV. Marchesan, 1979 - Post office box, 131 - CEP 15994-900 - Matão - SP - Brazil

Phone +55 16.3382-8282

(FAX Parts) + 55 16.3382. 8297 - (Export) + 55 16.3382.1003

e.mail: [tatu@marchesan.com.br](mailto:tatu@marchesan.com.br)    [www.marchesan.com.br](http://www.marchesan.com.br)

*Drafting and Illustration = GASPARI  
e.mail = [jgaspari@marchesan.com.br](mailto:jgaspari@marchesan.com.br)*

**ORIGINAL PARTS  
TATU**



**MARCHESAN**