

PARTS CATALOG

FRONT LOADER

PD FORD NH 7630-4 SHT S-1107

Code: 0501091434



Series: S-1107

Review: NOVEMBRO/07

ORIGINAL PARTS
TATU

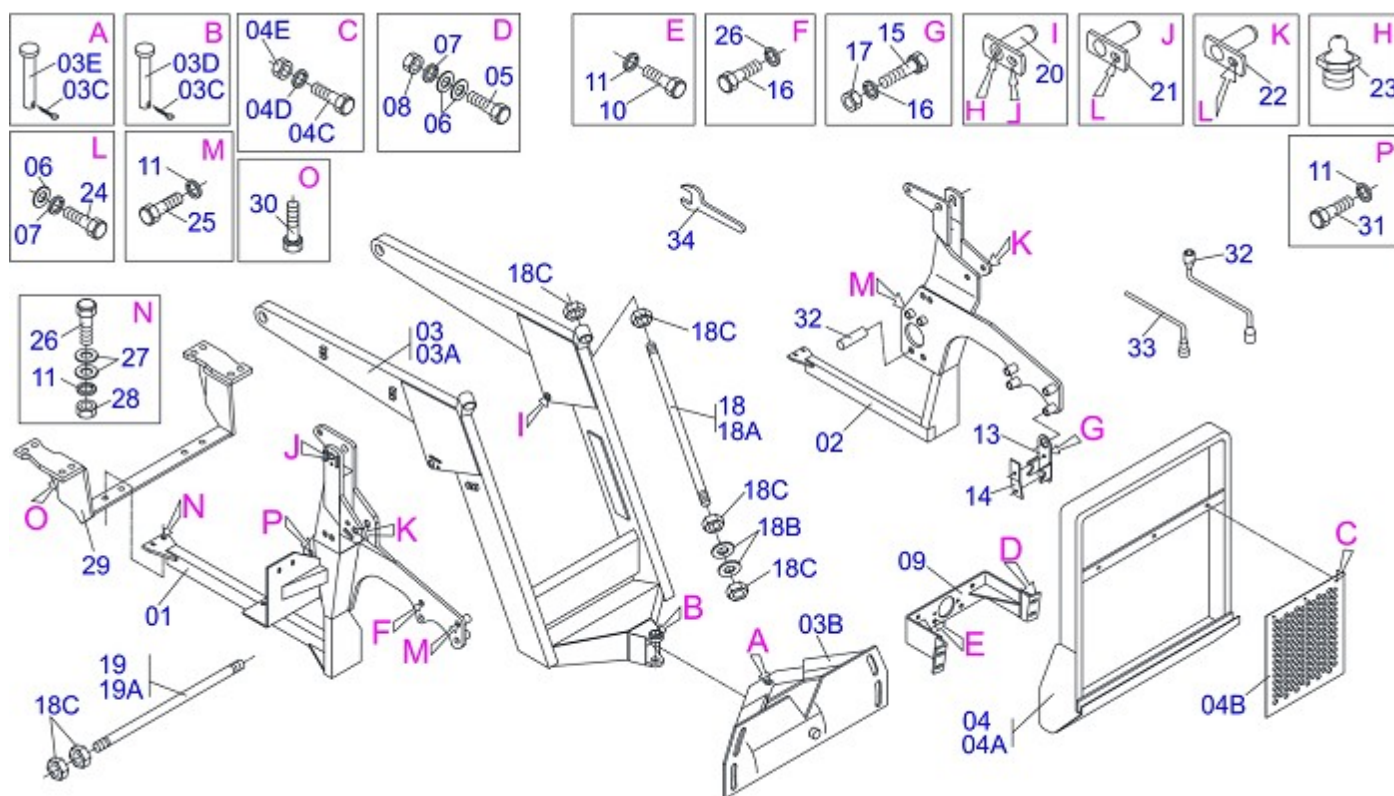


INDEX

0909093088	PD NH 7630-4 SHT S-1107	1
0909094015	PD NH 7630-4 HYDRAULIC CIRCUIT	2
0909090269	HYDRAULIC CYLINDER	3
0503014629	1500 MM CONTROL WIRE	4

ATTENTION: IMPORTANT

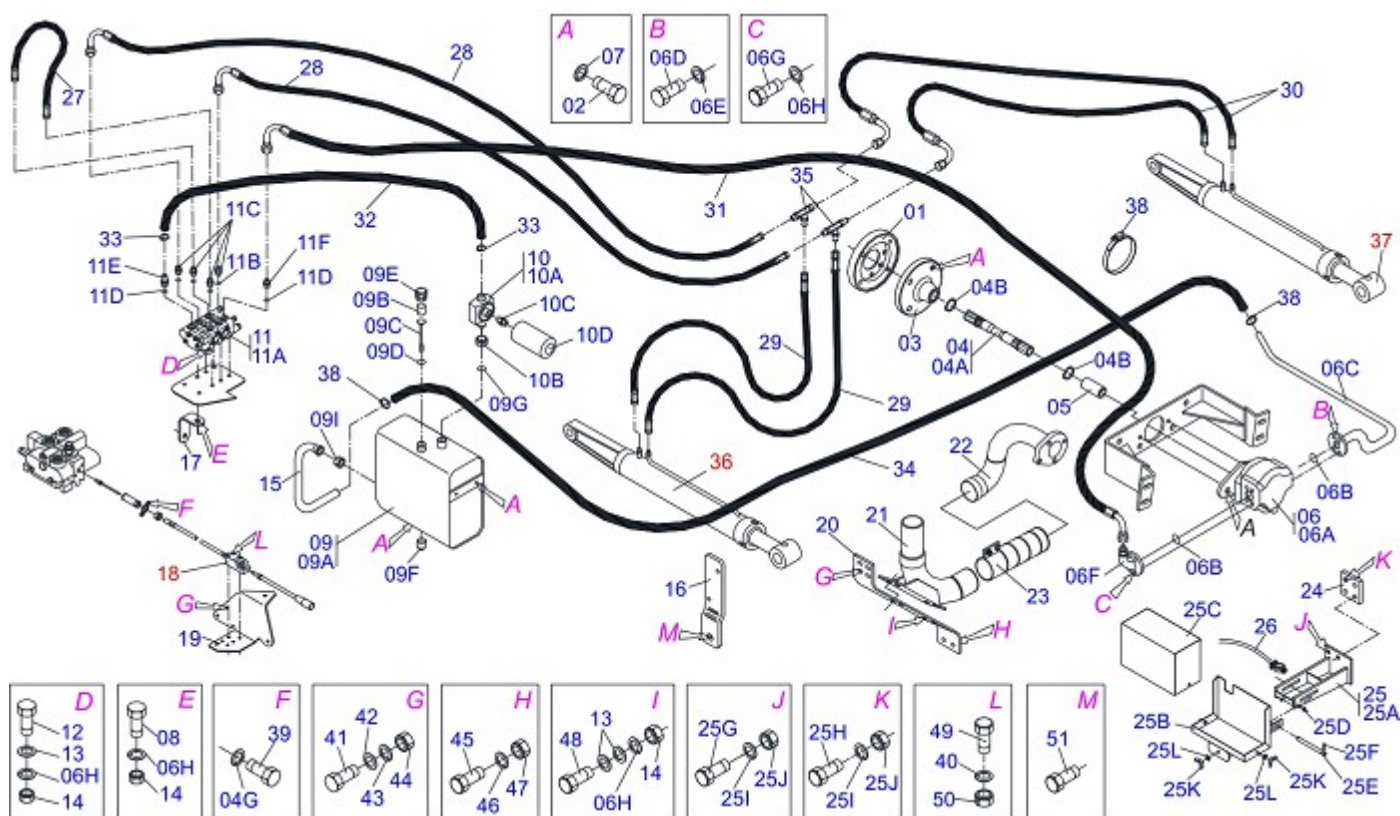
MARCHESAN RESERVES THE RIGHT AT ANY TIME TO MAKE IMPROVEMENTS IN THE DESIGN, MATERIAL OR SPECIFICATIONS OF MACHINERY, EQUIPMENT OR PARTS WITHOUT THEREBY BECOMING LIABLE TO MAKE SIMILAR CHANGES IN MACHINERY, EQUIPMENT OR PARTS PREVIOUSLY SOLD.



Item	Code	Description	
001	0511069671	PD NH 7630-4 RIGHT FRAME	01
002	0511069672	PD NH 7630-4 RIGHT FRAME	01
003	0501044604	MOBILE SUPPORT ASSY	01
003A	0501066834	MOBILE SUPPORT	01
003B	0501062637	5/8" REGULATOR SUPPORT	01
003C	0521010618	1.4" X 8.6" COUPLING SHAFT	01
003D	0521010612	1.4" X 3.5" COUPLING SHAFT	01
003E	0503010010	1/4" X 2.1/2" COTTERPIN	02
004	0511046439	MOBILE SUPPORT GUIDE ASSY	01
004A	0511069391	MOBILE SUPPORT GUIDE ASSY	01
004B	0501014687	FRONT PROTECTION	01
004C	0503010751	3/8" X 1.1/4" HEX BOLT G.5	03
004D	0501010984	FLAT WASHER	03
004E	0503010026	3/8" NUT	03
005	0501010100	5/8" X 2" BOLT	06
006	0501012140	FLAT WASHER	06
007	0503010027	5/8" SPRING WASHER	06
008	0503010013	5/8" NUT	06
009	0511069737	PUMP SUPPORT	01
010	0503013110	M20 X 2" BOLT	06
011	0503010023	3/4" SPRING WASHER	06
012	0503013090	M20 X 4" BOLT	08
013	0551019633	PUMP SUCTION TUBE FIXER	01
014	0551017249	PUMP SUCTION TUBE FIXER PLATE	01
015	0503012720	1/4" X 3" BOLT	02
016	0503010143	1/4" SPRING WASHER	02
017	0503010144	1/4" NUT	02
018	0501041427	1.1/4" NC X 1540 ROD	02
018A	0501014250	1.1/4" X 1540 ROD	01
018B	0502012180	CONICAL SPRING WASHER	02
018C	0501010087	1.1/4" UNC NUT	08
019	0501041849	1.1/4" NC X 910 ROD	01
019A	0501014914	1.1/4" X 910 ROD	01



Item	Code	Description	
020	0501063958	1.5" X 4.3" PIVOT SHAFT LOCK	02
021	0501063751	1.5" X 5.5" PIVOT SHAFT	02
022	0501063959	PIVOT SHAFT	02
023	0503010002	GREASE FITTING	06
024	0503010962	5/8" X 1-1/4" BOLT	06
025	0503014928	M20 X 2,5 X 130 BOLT	04
026	0501010125	3/4" X 2-1/2" BOLT	04
027	0501010322	FLAT WASHER	12
028	0503010014	3/4" NUT	10
029	0511065769	FRAME FIXER SUPPORT	01
030	0521010066	3/4" X 8.12" BOLT	08
031	0503014888	M20 X 2,5 X 130 BOLT	04
032	0551019151	22,23 X 44,45 X 122 SLEEVE	04



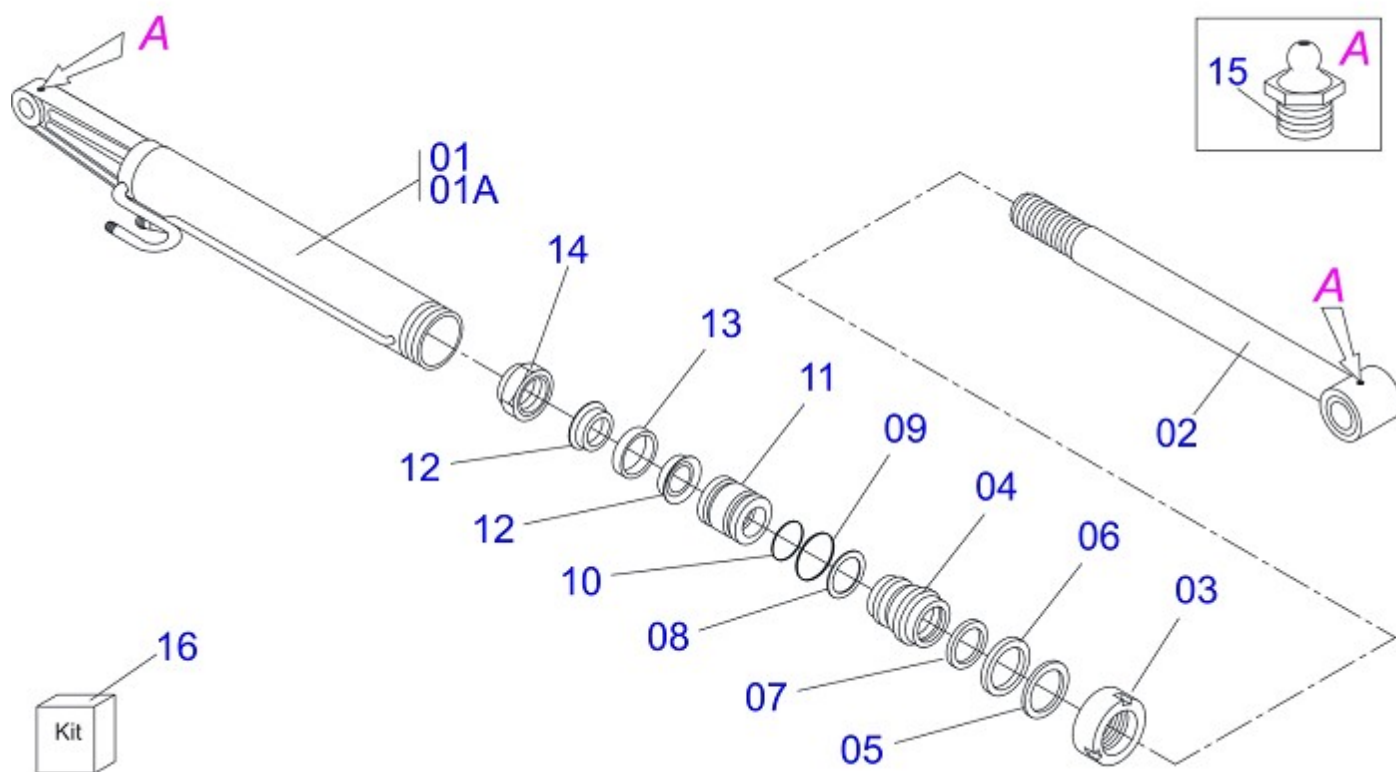
Item	Code	Description	
01	0551019176	BATTERY BOX FIXER	01
02	0501010161	1/2" X 1-1/4" BOLT	10
03	0503050056	FLANGE COUPLING	01
04	0503030838	1-1/8" X 2.4" SLEEVE	01
04A	0511069684	527 STRIATED AXLE	01
04B	0503010174	501028 CLAMPING RING (FOR AXLE)	02
05	0501058245	527 STRIATED AXLE	01
06	0511047072	PUMP WITH TUBE	01
06A	0503060045	40L 1/2" PUMP	01
06B	0503010173	2-220 N 3006-9B O'RING	02
06C	0511069683	PUMP SUCTION TUBE	01
06D	0503010355	7/16" X 1" BOLT	04
06E	0503010180	7/16" SPRING WASHER	04
06F	0501069661	PUMP PRESSURE TUBE	01
06G	0503010237	3/8" X 1" HEX BOLT G5	04
06H	0503010025	3/8" SPRING WHASHER	04
07	0511017302	FLAT WASHER	06
08	0503010237	3/8" X 1" HEX BOLT G5	01
09	0501049879	RESERVOIR OIL ASSY	01
09A	0511063248	RESERVOIR OIL	01
09B	0503030044	FILTERING ELEMENT	01
09C	0501060975	OIL GAGE	01
09D	0503010185	2-221 N 3006-9B O'RING	01
09E	0502020472	TANK COVER BODY	01
09F	0503031604	1/2" BSP PLUG	01
09G	0503010046	2-216 N 3006-9B O'RING	01
09H	0501016309	2" 1X 2.5/16" NUT	01
10	0501041108	RETURNING FILTER ASSY	01
10A	0502050002	RETURNING FILTER HEAD	01
10B	0501010594	1" NUT HEX	01
10C	0501010595	1" NF NIPPLE	01
10D	0503010183	RETURNING FILTER	01
11	0511046500	CD 1/2 S/LEVER FIXER CONTROL DOUBLE	01



PD NH 7630-4 HYDRAULIC CIRCUIT

0909094015

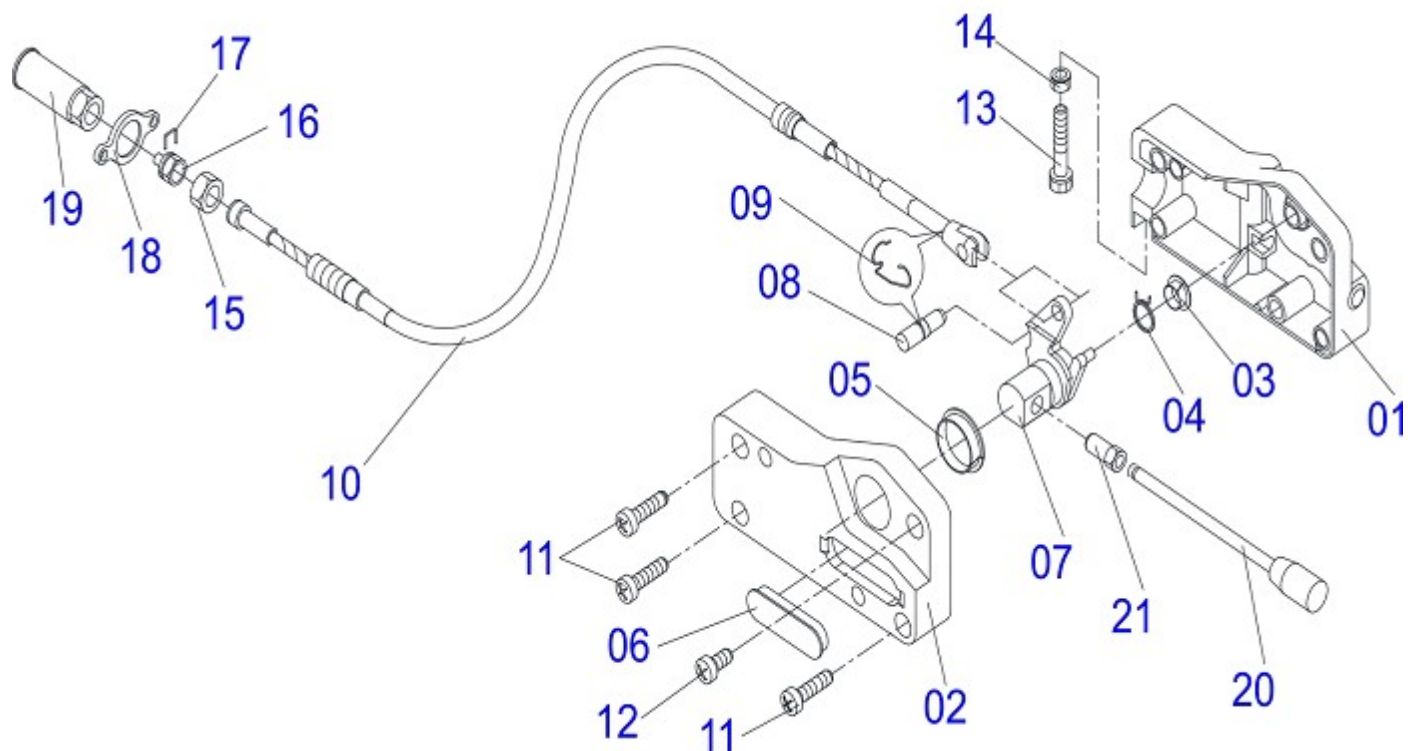
Item	Code	Description	
11A	0503061714	1/2" DOUBLE CONTROL VALVE	01
11B	0503010045	2-116 N 3006-9B O'RING	04
11C	0501010590	7/8" REDUCTION NIPPLE	04
11D	0503011109	2-119 N 3006-9B O'RING	01
11E	0501010591	HOSE NIPPLE	01
11F	0501010589	1-1/16 NIPPLE	01
12	0503011404	3/8" X 1.3/4" BOLT	03
13	0501010984	FLAT WASHER	10
14	0503010026	3/8" NUT	09
15	0501069690	TANK SUCTION TUBE	01
16	0551019263	OIL DISTRIBUTOR FIXER	01
17	0551019625	PLATFORM FIXER PLATE	01
18	0503014629	1500 MM CONTROL WIRE	02
19	0551019180	STEEL CABLE FIXER SUPORT	01
20	0511069710	EXHAUST FIXER SUPORT	01
21	0511069840	EXHAUST SMALLE COMPLEMENT	01
22	0511069841	EXHAUST LARGER COMPLEMENT	01
23	0503061761	FLEXIBLE TUBE	01
24	0551019176	BATTERY BOX FIXER	01
25	0511044960	BATTERY BOX	01
25A	0511067446	BATTERY FIXER	01
25B	0511067447	BATTERY FIXER MOBILE	01
25C	0511067492	BATTERY BOX COVER	01
25D	0551010490	SLEEVE	02
25E	0551010491	BATTERY BOX AXLE	01
25F	0503010571	1/4" X 1.1/2" COTTERPIN	04
25G	0501011544	3/4" X 1-1/2" BOLT	02
25H	0501010098	3/4" X 2" BOLT	02
25I	0503010023	3/4" SPRING WASHER	02
25J	0503010014	3/4" NUT	02
25K	0503010209	3/8" UNC BUTTERFLY NUT	03
26	0503014889	BATTERY CABLE	01
27	0501080120	1/2" X 400 TR-TR HOSE	01
28	0501080040	1/2" X 19" TR-TC HOSE ASSY	02
29	0501080020	1/2" X 850 TR-TR HOSE	02
30	0501080061	1/2" X 1700 TR-TC HOSE ASSY	02
31	0501081405	3/4" X 3100 TC-TC HOSE	01
32	0521019431	1" X 45.27" AB-AB HOSE	01
33	0503010184	1-1/4" TO 1-1/2" CLAMP	02
34	0501013424	1.1/4 X 1200 AB-AB HOSE	01
35	0503013493	T CONNECTION MALE	02
36	0501040161	RIGHT HYDRAULIC CYLINDER	01
37	0501040162	LEFT HYDRAULIC CYLINDER	01
38	0503010243	1-1/2" TO 2" CLAMP	04
39	0503014141	M6 X 1 X 20 BOLT	04
40	0503010143	1/4" SPRING WASHER	04
41	0503010371	5/16" X 1" BOLT	03
42	0501010694	FLAT WASHER	03
43	0503010179	5/16" SPRING WASHER	03
44	0503010337	5/16" NUT	03
45	0501010098	3/4" X 2" BOLT	02
46	0503010023	3/4" SPRING WASHER	02
47	0503010014	3/4" NUT	02
48	0503010849	3/8" X 1-1/2" BOLT	04
49	0503011719	1/4" X 2-1/2" BOLT	04
50	0503010144	1/4" NUT	04
51	0503014942	M14 X 2 X 30 BOLT	01



Item	Code	Description	
00	0501040161	RIGHT HYDRAULIC CYLINDER	
00A	0501040162	LEFT HYDRAULIC CYLINDER	
01	0501063658	RH 101,6 X 472 CYLINDER CASE	01
01A	0501063659	LH 101,6 X 472 CYLINDER CASE	01
02	0501068966	HYDRAULIC CYLINDER TURNBUCKLE	01
03	0502010017	4" HEAD	01
04	0502010778	2" X 4.2" RING SUPPORT	01
05	0503010039	D-2000 SCRAPER RING	01
06	0503010991	PACKING 1870-2000-375-B	01
07	0503010952	W2-2250-500 PK RING G.E	01
08	0503011061	8-342 BACK-UP RING	01
09	0503010338	2-342 N 3006-9B O'RING	01
10	0503010345	2-218 N 3006-9B O'RING	01
11	0502010992	2.0" X 4.0" PISTON	01
12	0503010043	PACKING 3750-3250	02
13	0503010994	W2-4000-500 PK RING G.E	01
14	0503010817	1.1/4" UNF SELF ADJUSTING NUT	01
15	0503010002	GREASE FITTING	02
16	0501031799	HYDRAULIC CYLINDER REPAIR KIT	01

1500 MM CONTROL WIRE

0503014629



Item	Code	Description	QT
00A	0503014629	1500 MM CONTROL WIRE	01
01	0503015516	RIGHT SIDE	01
02	0503015517	LEFT SIDE	01
03	0503015518	SMALLER BUSHING	01
04	0503015519	SPRING	01
05	0503015520	SLEEVE GUIDES	01
06	0503015521	COVER	01
07	0503015522	ARTICULATION	01
08	0503015523	LOCK AXLE	01
09	0503015524	LOCK PIN	01
10	0503015527	1500 WIRE CABLE	01
11	0503015533	5/32" X 1" BOLT	03
12	0503015534	5/32" X 1" BOLT	01
13	0503015535	M6 X 45 X 1" BOLT	01
14	0503015536	M6 X 1" SELF NUT	01
15	0503015543	M 6 X 1,5 NUT	01
16	0503015537	CABLE FIXER	16
17	0503015538	NUT LOCK	01
18	0503015539	FASTENER	01
19	0503015540	TURNBUCKLE	01
20	0503015541	LEVER	01
21	0503015542	LEVER FIXER	01



MARCHESAN

MARCHESAN IMPLEMENTOS E MÁQUINAS AGRÍCOLAS TATU S.A.

AV. Marchesan, 1979 - Post office box, 131 - CEP 15994-900 - Matão - SP - Brazil

Phone +55 16.3382-8282

(FAX Parts) + 55 16.3382. 8297 - (Export) + 55 16.3382.1003

e.mail: tatu@marchesan.com.br www.marchesan.com.br

Drafting and Illustration = GASPARI
e.mail = jgaspari@marchesan.com.br

**ORIGINAL PARTS
TATU**



MARCHESAN