

**AUXILIARY PRODUCTS**

## **FORK LIFT ATTACHMENT**

**Code:** 0501091432  
**Series:** S-0601  
**Revision:** 00  
**Date Revision:** NOVEMBRO/1988

# **PARTS CATALOGUE**



**MARCHESAN**



# PRODUCTS

Code	Description
0407010008	SAB P/PLAINA DIANTEIRA S-0601
0407010014	SAB P/PLAINA DIANTEIRA C/VALV S-601

## ATTENTION: IMPORTANT

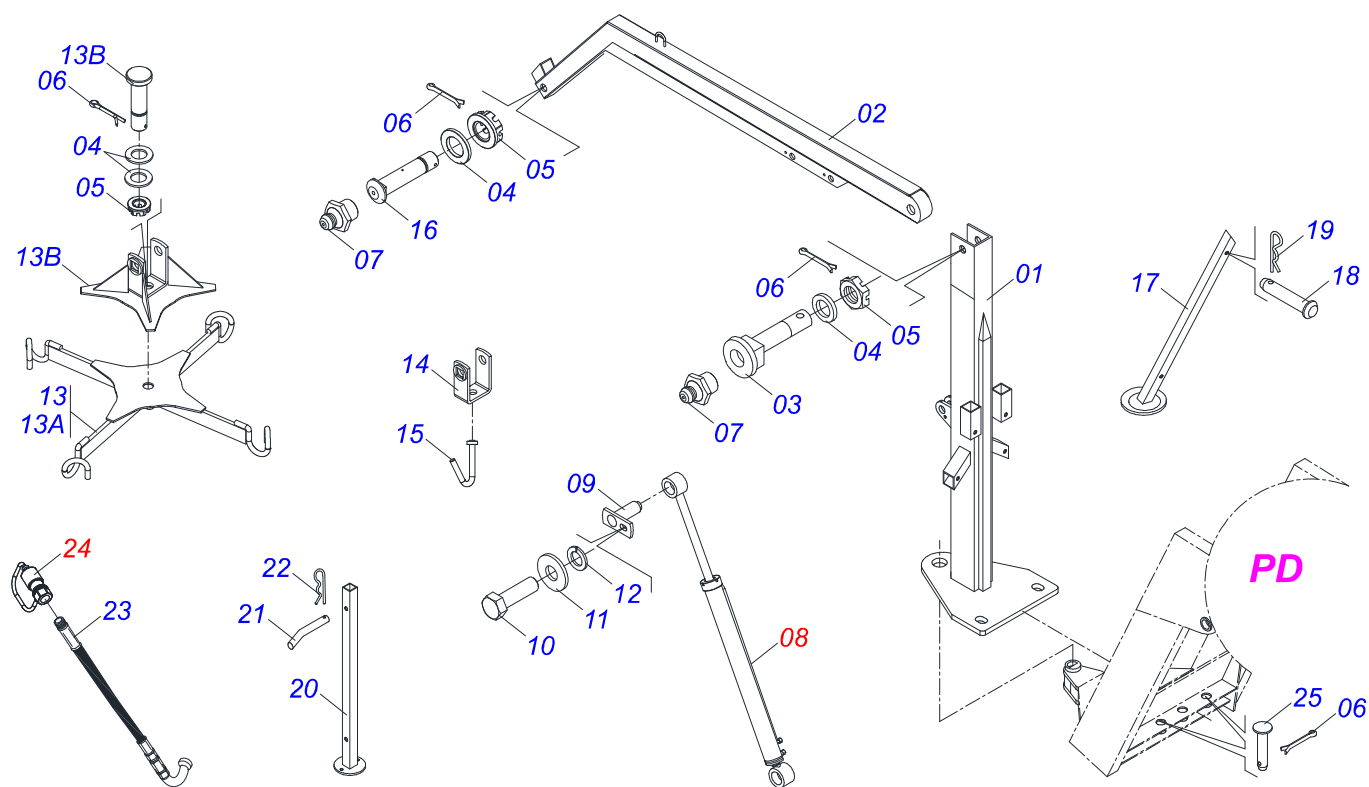
Marchesan S.A. reserves the right to improve and/or modify the technical features of its products, without obligation to do the same with those products already sold and without prior knowledge of the dealer or the customer. The photos are only illustrative.



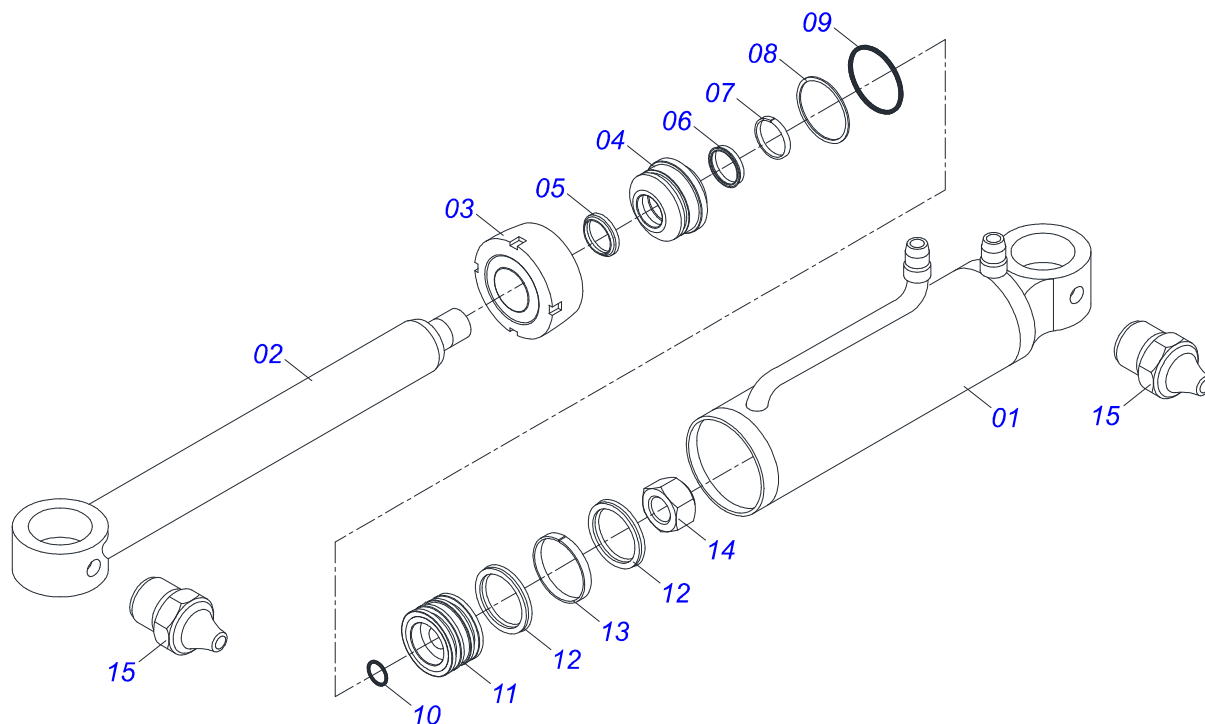
**MARCHESAN**

# INDEX

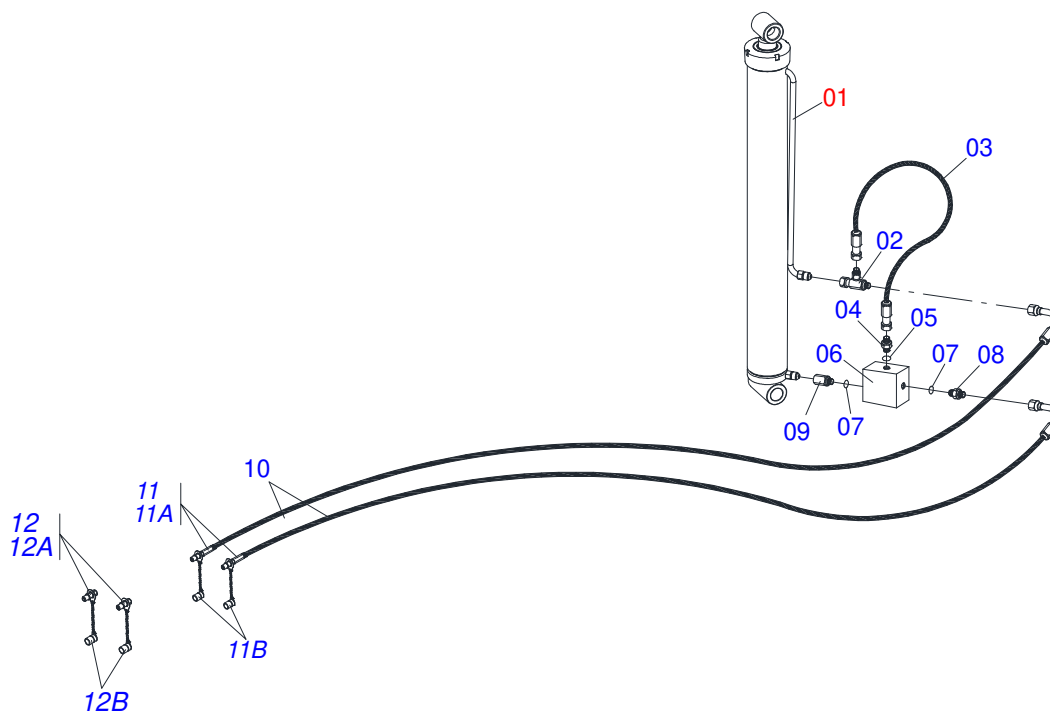
0909090292	SLING BULCK SACK LIFT	.....	1
0501049299	50,80 X 85,72 X 1223 X 942 HYDRAULIC CYLINDER	.....	2
0909090602	HYDRAULIC CIRCUIT WITH VALVE	.....	3



Item	Code	Description	See page
01	0511063037	TOWER	01
02	0501064474	CHARGING BAR	01
03	0521012827	1.5" X 7.4" PIVOT SHAFT	01
04	0501012916	FLAT WASHER 40 X 66 X 4,75 ZN	01
05	0501011301	1.1/2 UNC 6FPP 2.5/16 NUT	03
06	0503010010	1/4" X 2.1/2" SPLIT PIN	05
07	0503010002	1800 GREASE FITTING	05
08	0501049299	50,80 X 85,72 X 1223 X 942 HYDRAULIC CYLINDER 2	01
09	0501063958	1.5" X 4.3" PIVOT SHAFT LOCK	02
10	0503010962	5/8" X 1-1/4" BOLT	02
11	0503010027	5/8 SPRING WASHER	02
12	0501012140	FLAT WASHER	02
13	0501058710	CROSSPIECE	01
13A	0521060317	U COUPLING FOR CROSSPIECE	01
13B	0521060235	CROSSPIECE	01
13C	0521010555	1-1/2" X 5.5" COUPLING SHAFT	01
14	0501069722	U HOOK	01
15	0501064475	1-1/4" HOOK	01
16	0521012828	1.5" X 6.8" PIVOT SHAFT	01
17	0501064476	PLOUGH SUPPORT	02
18	0501011388	COUPLING SHAFT	02
19	0503030168	HITCH PIN CLIP	02
20	0511061835	PLOUGH SUPPORT	01
21	0501011075	PIN	01
22	0503030012	HITCH PIN CLIP	01
23	0501080335	1/2" X 63" TC-TM HOSE ASSY	02
24	0501053834	MALE QUICK COUPLER	02
25	0521010612	1.4" X 3.5" COUPLING SHAFT	02



Item	Code	Description	See page	QT
01	0501064542	2.4" X 37" CYLINDER CASE		01
02	0511061447	2" X 43.7" TURNBUCLE		01
03	0502010761	MOBILE COVER		01
04	0502010840	2" X 3.4" RING SUPPORT		01
05	0503010039	D-2000 SCRAPER RING		01
06	0503010991	1870-2000-375-B GASKET		01
07	0503010952	W2-2250-500 RING		01
08	0503011060	8-336 BACK-UP RING		01
09	0503010976	2-336 N 3006-9B O'RING		01
10	0503010042	2-214 N 3006-9B O'RING		01
11	0502010844	2.0" X 3.3" PISTON		01
12	0503010170	PACKING 3120 2750		02
13	0503010948	W4-3346-590 PK RING G.E		01
14	0503010063	1" SELF-ALIGNING NUT		01
15	0503010002	1800 GREASE FITTING		02
16	0501031797	HYDRAULIC CYLINDER REPAIR KIT		01



Item	Code	Description	See page	QT
01	0501049299	50,80 X 85,72 X 1223 X 942 HYDRAULIC CYLINDER	2	01
02	0503012341	7/8" T ADAPTER		01
03	0501080087	1/2" X 450 HOSE		01
04	0531013708	7/8 UNF X R 9/16 UNF X 45 NIPPLE		01
05	0503011030	2-014 N 3006-9B O'RING		01
06	0503013622	VALVE ASSY		01
07	0503010045	O'RING		02
08	0551012400	7/8" UNF NIPPLE		01
09	0541016817	1.1/8 X R 7/8 HEX TERMINAL		01
10	0501080335	1/2" X 63" TC-TM HOSE ASSY		02
11	0501053834	MALE QUICK COUPLER		04
11A	0503011627	MALE QUICK COUPLER AGR 1/2 NPT		04
11B	0503011882	MALE QUICK COUPLER CAP		04
12	0501053835	FEMALE QUICK COUPLER		02
12A	0503011628	FEMALE QUICK COUPLER		02
12B	0503011883	QUICK CONNECTION COVER		02





**MARCHESAN**

***Technical Publications | Elaboration and Revision***

ALESSANDRA PATRICIA KAWAHARA CARRILI

[www.marchesan.com.br](http://www.marchesan.com.br)

