

**AUXILIARY PRODUCTS**

**PAH 1200/1700 - BT / SC/ S/A**

**Code:** 0501091431  
**Series:** S-0610  
**Revision:** 00  
**Date Revision:** OUTUBRO/2017

# PARTS CATALOGUE



**MARCHESAN**



# PRODUCTS

Code	Description
0107020262	PAH 1200 65A95 CV BT SC S/A S-0610
0107020252	PAH 1700 100A185 CV BT SC S/A S610

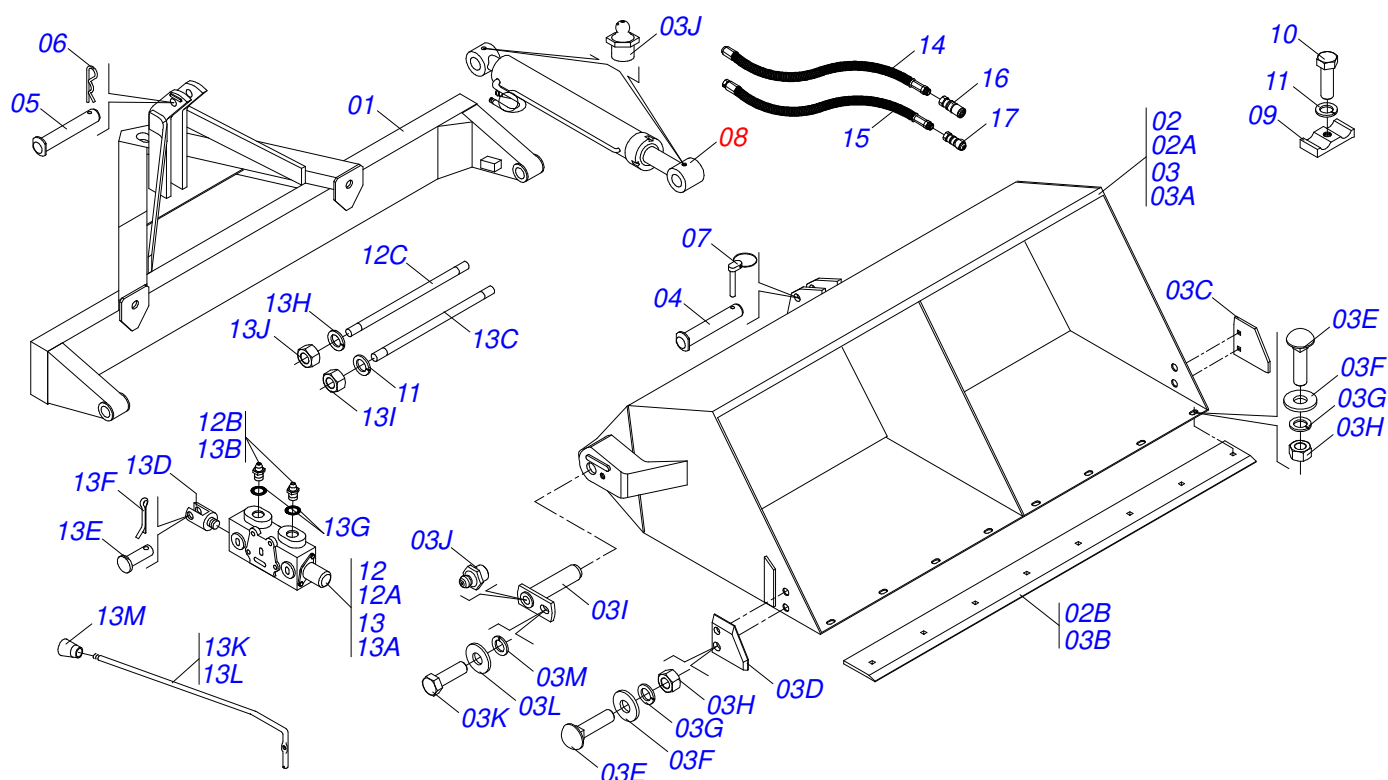
## ATTENTION: IMPORTANT

Marchesan S.A. reserves the right to improve and/or modify the technical features of its products, without obligation to do the same with those products already sold and without prior knowledge of the dealer or the consumer. The photos are only illustrative.



# INDEX

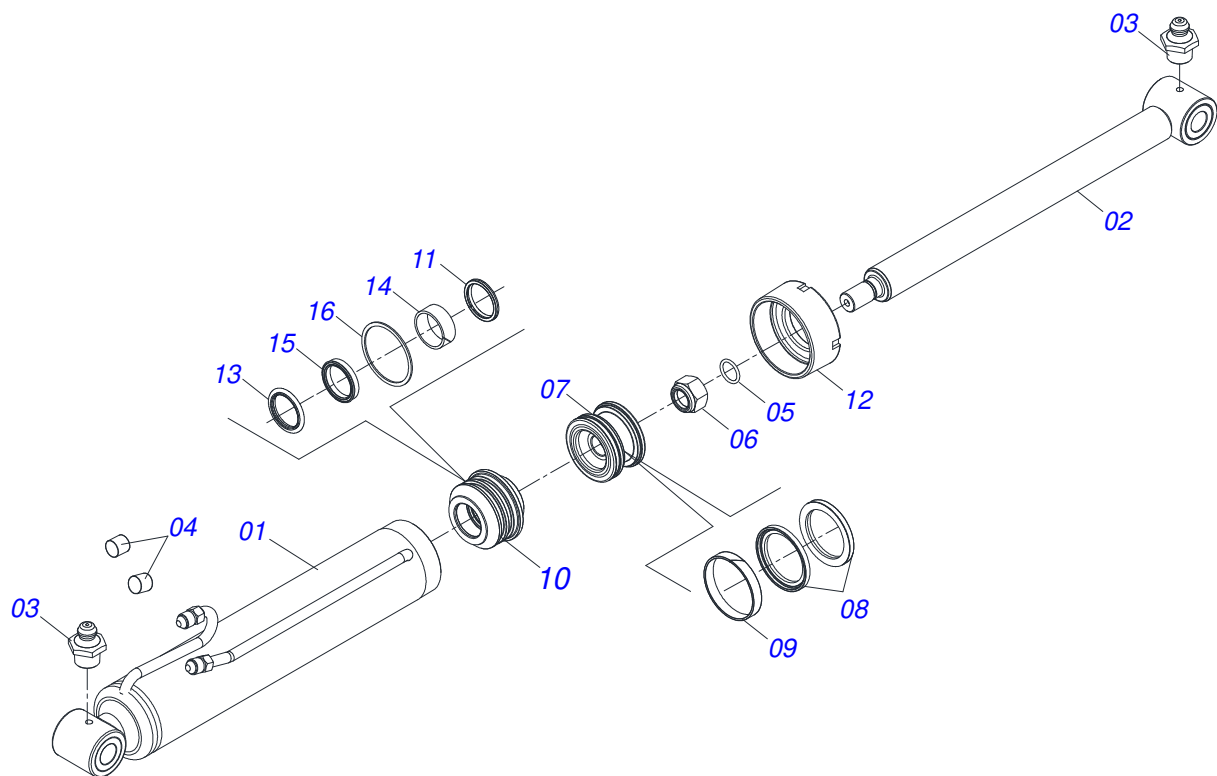
0909095785	PAH 1200 / 1700	.....	1
0501042304	HIDRAULIC CYLINDER 38,1 X 63,5 X 640X400	.....	2
0511058427	HYDRAULIC CYLINDER 44,45 X 85,72 X 637 X 377	.....	3



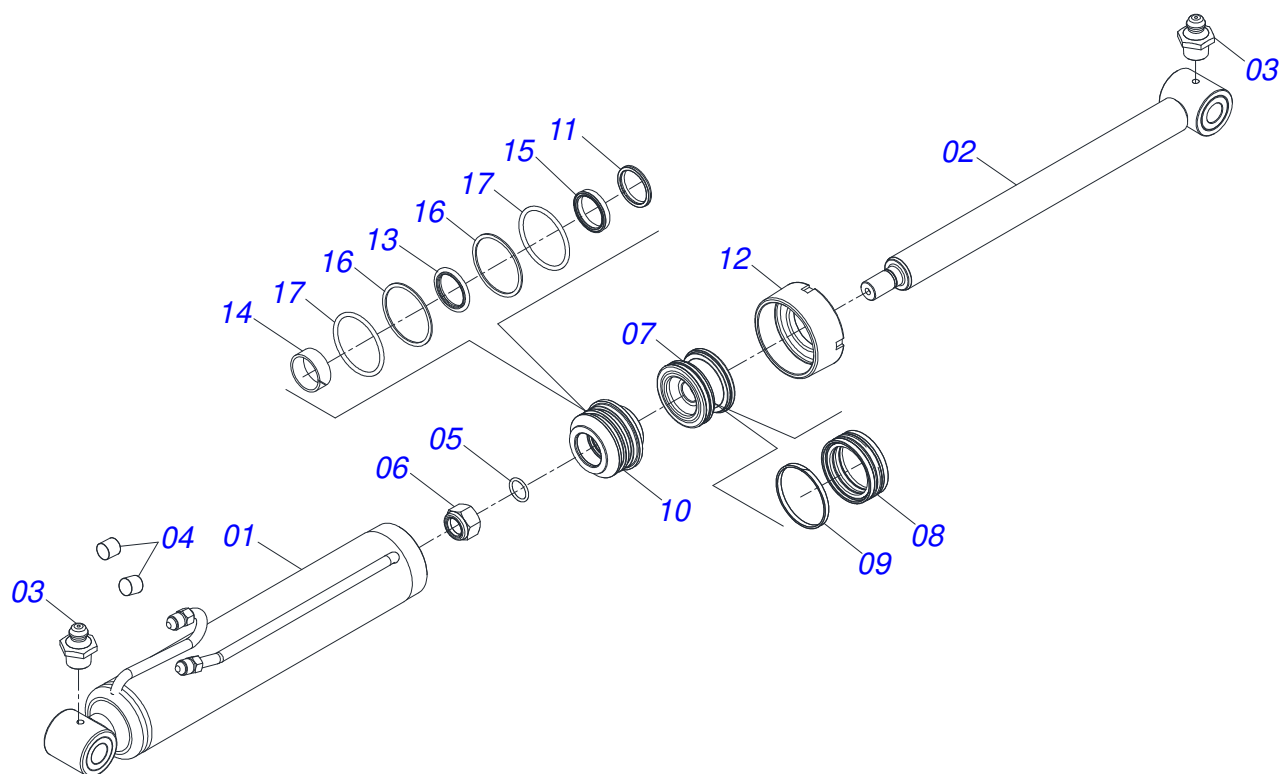
Item	Code	Description	See page	1200	1700
00	0501042293	1200 BUCKET SUPPORT		01	00
00.	0501042294	1700 BUCKET SUPPORT		00	01
01	0501063381	1200 BUCKET SUPPORT		01	00
01.	0501063382	BUCKET SUPPORT		00	01
02	0501050247	1200 BUCKET		01	00
02A	0501063395	1200 BUCKET		01	00
02B	0622360005	SCRAPER BUCKET 1200		01	00
03	0501050248	1700 BUCKET ASSY		00	01
03A	0501063396	1700 PAH 1700 BUCKET		00	01
03B	0622360007	1700 SCRAPER BUCKET		00	01
03C	0622360009	SCRAPER FRAME RIGHT		01	01
03D	0622360010	SCRAPER FRAME LEFT		01	01
03E	0501010078	1/2" X 1-1/2" BOLT		10	12
03F	0511017302	FLAT WASHER		10	12
03G	0503010019	1/2" SPRING WASHER		10	12
03H	0503010020	1/2"NUT		10	12
03I	0501063956	PIVOT SHAFT		02	02
03J	0503010002	1800 GREASE FITTING		04	04
03K	0503010962	5/8" X 1-1/4" BOLT		02	02
03L	0501012140	FLAT WASHER		02	02
03M	0503010027	5/8" SPRING WASHER		02	02
04	0521010581	0.9" X 4.9" COUPLING SHAFT		01	01
05	0511016155	PIN		01	01
06	0503030012	HAIR PIN		01	01
07	0503030085	LOCK PIN		01	01
08	0501042304	HIDRAULIC CYLINDER 38,1 X 63,5 X 640X400	2	01	00
08.	0511058427	HYDRAULIC CYLINDER 44,45 X 85,72 X 637 X 377	3	00	01
09	0502010477	HOSE CLAMP		03	03
10	0501010324	3/8" X 1-1/4" BOLT		03	03
11	0503010025	3/8" SPRING WASHER		11	11
12	0501041197	CENTER BODY		01	01



Item	Code	Description	See page	1200	1700
12A	0503010423	1/2" CENTER BODY		01	01
12B	0501010590	NIPPLE		02	02
12C	0501013212	PRISONER 5/16		04	04
13	0501041198	CENTER BODY		01	01
13A	0503010504	3/8" CENTER BODY		01	01
13B	0511010111	7/8" NIPPLE		02	02
13C	0501013033	PRISONER 3/8"		04	04
13D	0503030265	UPPER LEVER (PARKER 1/2")		01	01
13E	0521010533	0.3" X 1" COUPLING SHAFT		01	01
13F	0503010140	1/8" X 3/4" COTTERPIN		01	01
13G	0503010045	O'RING		02	02
13H	0503010179	LOCK WASHER		08	08
13I	0503010026	3/8" NUT		08	08
13J	0503010337	5/16" NUT		08	08
13K	0501047852	COMPLETE CONTROLLER		01	01
13L	0521010436	CONTROL VALVE		01	01
13M	0503030878	LEVER CRANK		01	01
14	0501080242	3/8" X 47" TR-TM HOSE		02	02
15	0501080441	HOSE ASSY		02	02
16	0503011628	FEMALE QUICK COUPLER		02	02
17	0503011627	MALE QUICK COUPLER AGR 1/2 NPT		02	02



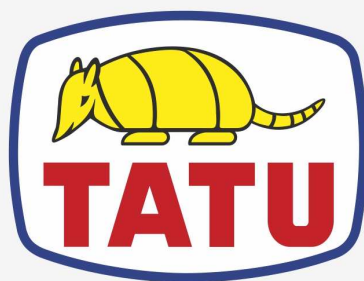
Item	Code	Description	See page	QT
01	0501063671	CASE		01
02	0501068958	HYDRAULIC CYLINDER TURNBUCKLE		01
03	0503010002	1800 GREASE FITTING		01
04	0503030385	CYLINDER PLUG N-002		02
05	0503010285	2-222 N 3006-9B O'RING		01
06	0503010063	1" SELF-ALIGNING NUT		01
07	0502010783	1.5" X 2.5" PISTON		01
08	0503010160	2500 2000 GASKET		02
09	0503010973	W2-2500-500 PK O'RING G.E		01
10	0502010780	RING SUPPORT		01
11	0503010163	D-1500 SCRAPER RING		01
12	0502010471	MOBILE COVER		01
13	0503010970	W1-1650-500 PK O'RING G.E		01
14	0503010989	1870-1500-375-B GASKET		01
15	0503010161	2-330 N 3006 9B O'RING		01
16	0503011058	8-330 BACK-UP RING		01
17	0501032666	HYDRAULIC CYLINDER REPAIR KIT		01



Item	Code	Description	See page	QT
001	0501063129	85,7 X 377 CYLINDER CASE		01
002	0501068962	HYDRAULIC CYLINDER TURNBUCKLE		01
003	0503010002	1800 GREASE FITTING		02
004	0503030385	CYLINDER PLUG N-002		02
005	0503010042	2-214 N 3006-9B O'RING		01
006	0503010063	1" SELF-ALIGNING NUT		01
007	0571019710	1.7" X 3.4" PISTON		01
008	0503017935	RING		01
009	0503018144	RING		01
010	0571019711	RING SUPPORT		01
011	0503010761	D-1750 SCRAPER RING		01
012	0571019709	DETACHABLE COVER		01
013	0503017936	RING		01
014	0503017938	RING GUIDE		01
015	0503017937	GASKET		01
016	0503017940	8-337 BACK-UP RING		02
017	0503017939	2-337 N 3006-9B O' RING		02







**MARCHESAN**

***Technical Publications | Elaboration and Revision***

ALESSANDRA PATRICIA KAWAHARA CARRILI

[www.marchesan.com.br](http://www.marchesan.com.br)

