

PARTS CATALOG

PD - FRONT LOADER

PD VALTRA BH 140/160/180-4

Code: 0501091429



Series: S-0701

Review: JULHO/2001

ORIGINAL PARTS
TATU



PRODUCTS

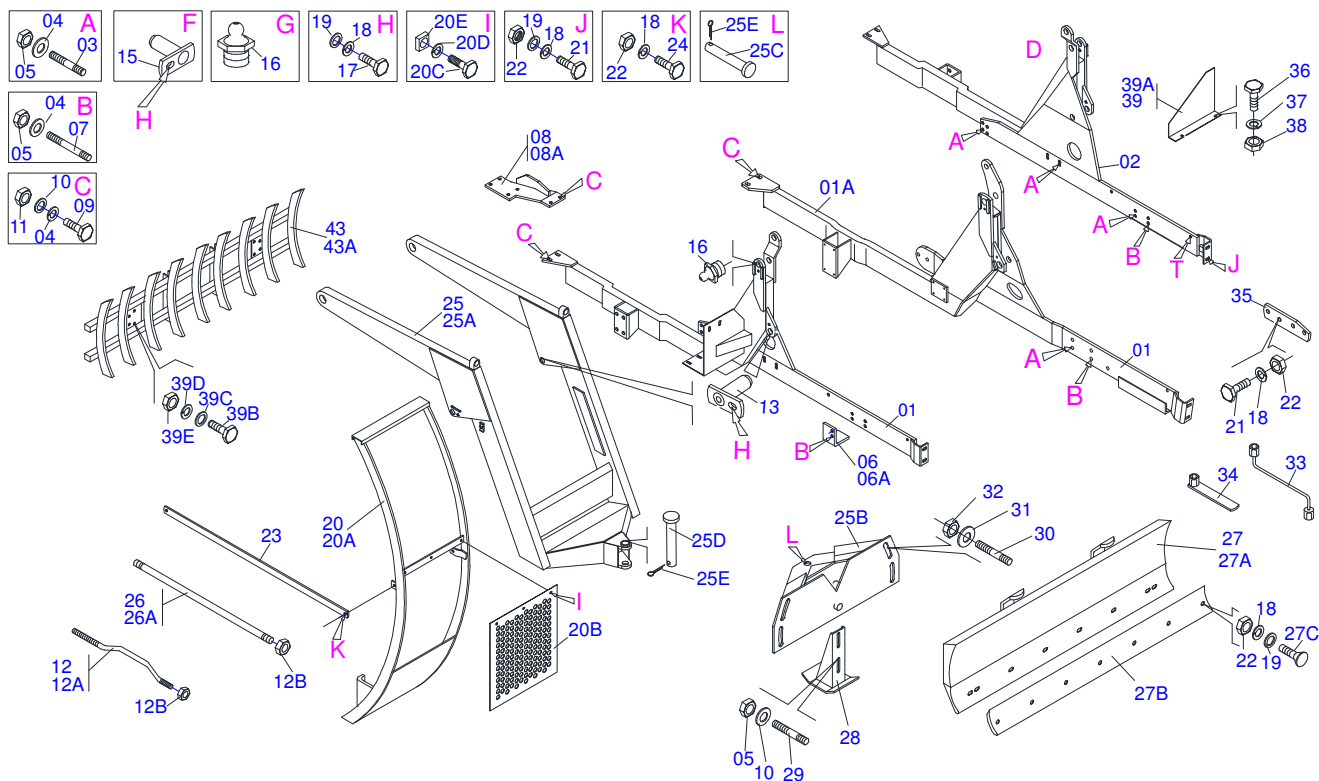
Code	Description
0106020304	PD VTR BH 140/160/180-4SHT CS SL
0106020303	PD VTR BH140/160/180-4SHTCD GAL5701
0106020305	PD VTR BH140/160/180-4SHTCDSL S701
0106020302	PD VTR BH140/160/180-4SHTCS GAL5701

ATTENTION: **IMPORTANT**

MARCHESAN S/A RESERVES THE RIGHT AT ANY TIME TO MAKE IMPROVEMENTS IN THE DESIGN, MATERIAL OR SPECIFICATIONS OF MACHINERY, EQUIPMENT OR PARTS WITHOUT THEREBY BECOMING LIABLE TO MAKE SIMILAR CHANGES IN MACHINERY, EQUIPMENT OR PARTS PREVIOUSLY SOLD.

INDEX

0909093755	PD VTR BH 140/160/180-4 SHT CD GAL S-0701	1
0909090269	HYDRAULIC CYLINDER	2
0909090322	HYDRAULIC CIRCUIT VTR 140/160/180-4	3

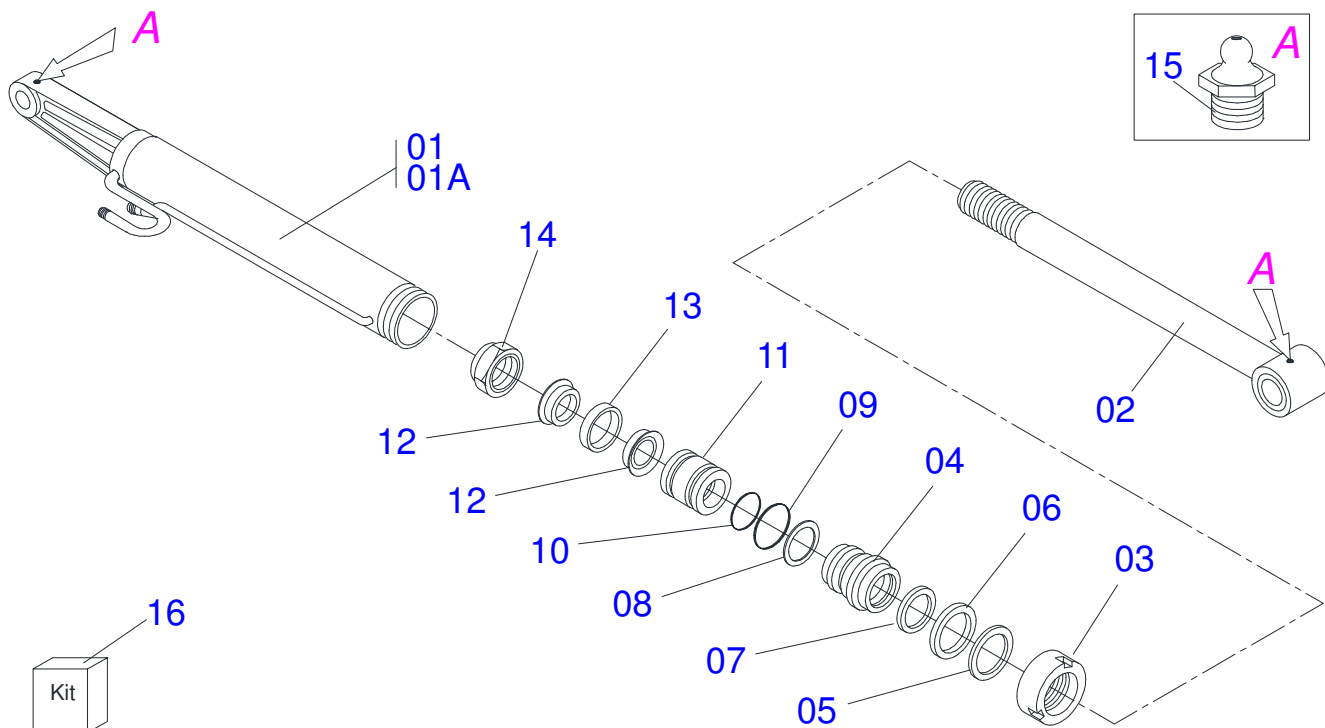


Item	Code	Description	QT
01	0511061745	RIGHT FRAME	01
02	0511061746	LEFT FRAME	01
03	0501010603	3/4" X 3.74" STUD	10
04	0503010023	SPRING WASHER	18
05	0503010335	3/4"NUT	18
06	0511014395	FRONT AXLE BEATER	01
06A	0511014396	FRONT AXLE BEATER	01
07	0511014160	3/4" X 4.52" STUD	04
08	0501064839	RH FRAME BRACKET	01
08A	0501064840	LH FRAME BRACKET	01
09	0501010500	3/4"X3"BOLT	04
10	0501010322	FLAT WASHER	12
11	0503010014	3/4" NUT	04
12	0501047774	1.1/4" X 33.46" ROD	01
12A	0521010387	1.1/4" X 33.46" ROD CURVED	01
12B	0501010087	1.1/4" NUT	12
13	0501063751	1.5" X 5.5" PIVOT SHAFT	02
14	0501063958	1.5" X 4.3" PIVOT SHAFT LOCK	02
15	0501063959	PIVOT SHAFT	02
16	0503010002	1800 GREASE FITTING	02
17	0503010962	5/8" X 1-1/4" BOLT	06
18	0503010027	SPRING WASHER	22
19	0501012140	FLAT WASHER	24
20	0501049367		01
20A	0511061956		01
20B	0501014687	FRONT PROTECTION	01
20C	0503010751	C3/8" X 1.1/4" HEX BOLT G.5	03
20D	0501010984	FLAT WASHER	03
20E	0501011338	3/8" SQUARE NUT	03
21	0501010100	5/8 UNC X 2 C S G.5 BOLT	04
22	0503010013	5/8" NUT	16
23	0521017844	FRENCH HAND	02
24	0503010232	5/8" X 1.3/4" BOLT	02

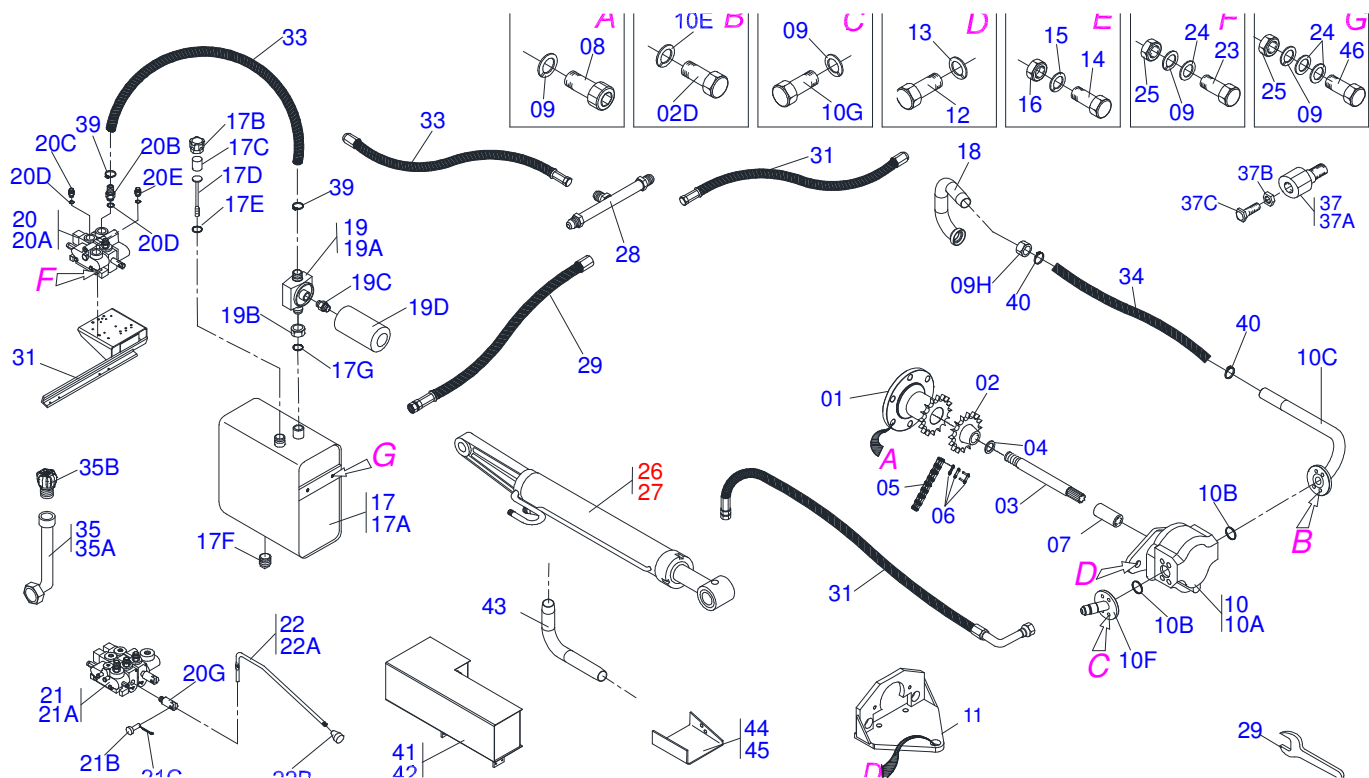


PD VALTRA BH 140/160/180-4
PD VTR BH 140/160/180-4 SHT CD GAL S-0701

Item	Code	Description	QT
25	0501044604	MOBILE SUPPORT ASSY	01
25A	0501066834	MOBILE SUPPORT	01
25B	0501062637	5/8" REGULATOR SUPPORT	01
25C	0521010612	1.4" X 3.5" COUPLING SHAFT	01
25D	0521010618	1.4" X 8.6" COUPLING SHAFT	01
25E	0503010010	1/4" X 2.1/2" COTTERPIN	02
26	0501041427	1.1/4" NC X 1540 ROD	02
26A	0501014250	1.1/4" X 1540 ROD	02
27	0501047710	2600MM BLADE SUPPORT ASSY	01
27A	0501068001	2590MM BLADE SUPPORT ASSY	01
27B	0622360011	2600 SCRAPER REVERSIBLE	01
27C	0501012240	5/8" X 2-1/2" BOLT	08
28	0501063411	ESTABILIZER BRACKET	02
29	0501010571	3/4" X 3/4" X 2.2" STUD	04
30	0501010572	1" X 1" X 2.9" STUD	04
31	0501010574	FLAT WASHER	04
32	0503010340	1" NUT	04
33	0501068213	5/8" WRENCH DOUBLE	01
34	0501061617	1" GANG BOLT WRENCH	01
35	0521018671	RIGHT RADIATOR PROTECTION	01
35A	0521018672	LEFT RADIATOR PROTECTION	01
36	0108010002	9 TEETH ROTH RAKER	01
36A	0501060958	9 TEETH ROTH RAKER	01
36B	0501010276	1" X 3" BOLT	04
36C	0501010065	1" SPRING WASHER	04
36D	0503010012	1" SPRING WASHER	04
36E	0501010059	1.5/8 NUT	04



Item	Code	Description	
00	0501040161	RIGHT HYDRAULIC CYLINDER	
00A	0501040162	LEFT HYDRAULIC CYLINDER	
01	0501063658	RH 101,6 X 472 CYLINDER CASE	01
01A	0501063659	LH 101,6 X 472 CYLINDER CASE	01
02	0501068966	HYDRAULIC CYLINDER TURNBUCKLE	01
03	0502010017	4" HEAD	01
04	0502010778	2" X 4.2" RING SUPPORT	01
05	0503010039	D-2000 SCRAPER RING	01
06	0503010991	PACKING 1870-2000-375-B	01
07	0503010952	W2-2250-500 PK RING G.E	01
08	0503011061	8-342 BACK-UP RING	01
09	0503010338	2-342 N 3006-9B O'RING	01
10	0503010345	2-218 N 3006-9B O'RING	01
11	0502010992	2.0" X 4.0" PISTON	01
12	0503010043	PACKING 3750-3250	02
13	0503010994	W2-4000-500 PK RING G.E	01
14	0503010817	1-1/4" SELF-ADJUSTING NUT	01
15	0503010002	1800 GREASE FITTING	02
16	0501031799	HYDRAULIC CYLINDER REPAIR KIT	01



Item	Code	Description	CS	CD
01	0502040508	16Z GEAR	01	01
02	0503050075	GEAR 16Z	01	01
03	0511061497	10.82" X 7/8" AXLE	01	01
04	0501010890	FLANGE WASHER	01	01
05	0503010455	50-2 CHAIN X 15 LINK + MENDING	01	01
06	0503010560	AMENDMENT WITH LOCK	01	01
07	0503031697	1.338" X 2.4" SLEEVE	01	01
08	0503011313	M 8 X 1,25 X 50 BOLT	06	06
09	0503010025	3/8 SPRING WASHER	12	12
10	0501053615	PUMP WITH TUBE	01	01
10A	0503060153	40L 1/2" PUMP	01	01
10B	0503010173	2-220 N 3006-9B O'RING	02	02
10C	0511063120	PUMP SUCTION TUBE	01	01
10D	0503010355	7/16" X 1" BOLT	01	01
10E	0503010180	7/16" SPRING WASHER	04	04
10F	0501067719	PUMP PRESSURE TUBE	01	01
10G	0503010237	3/8" X 1" BOLT	04	04
11	0501064140	PUMP SUPPORT	01	01
12	0503010148	M16 X 2 X 40 BOLT	01	01
13	0503010027	SPRING WASHER	01	01
14	0501010161	1/2" X 1.1/4" BOLT	02	02
15	0503010019	1/2" SPRING WASHER	02	02
16	0511017302	FLAT WASHER	02	02
17	0501047807	OIL RESERVOIR ASSY	01	01
17A	0501068880	OIL RESERVOIR	01	01
17B	0502020472	FRONTAL COVER	01	01
17C	0503030044	FILTERING ELEMENT	01	01
17D	0501060975	OIL GAGE	01	01
17E	0503010185	2-221 N 3006-9B O'RING	01	01
17F	0503031604	1/2" BSP PLUG	01	01
17G	0503010046	2-216 N 3006-9B O'RING	01	01
18	0511063119	TANK OUTER TUBE	01	01
19	0501041108	RETURNING FILTER ASSY	01	01



PD VALTRA BH 140/160/180-4
HYDRAULIC CIRCUIT VTR 140/160/180-4

Item	Code	Description	CS	CD
19A	0502050002	RETURNING FILTER HEAD	01	01
19B	0501010595	1" NF NIPPLE	01	01
19C	0501010595	1" NF NIPPLE	01	01
19D	0503010183	RETURNING FILTER	01	01
20	0501040871	1/2" COMMAND SIMPLE ASSY	01	
20A	0503060080	1/2" COMMAND SIMPLE	01	
20B	0501010591	HOSE NIPPLE	01	01
20C	0501010589	R. 1.1/16UN SEXT 1.1/4 X 52 NIPPLE	01	01
20D	0503010602	2-211 N 3006-9B O'RING	02	02
20E	0501010590	7/8" REDUCTION NIPPLE	02	04
20F	0503010045	2-116 N 3006-9B O'RING	02	04
20G	0503030347	UPPER LEVER ASSY (SAUER DANFOSS)	01	02
21	0501040873	1/2" DOUBLE COMMAND	01	
21A	0503060081	1/2" DOUBLE COMMAND	01	
21B	0521010532	0.3" X 0.9" COUPLING SHAFT	02	
21C	0503010140	1/8" X 3/4" COTTERPIN	02	
22	0501048023	CONTROL VALVE	02	02
22A	0511060695	CONTROL VALVE	01	01
22B	0503030878	LEVER CRANK	01	01
23	0501010080	3/8" BOLT	02	02
24	0501010984	FLAT WASHER	02	02
25	0503010026	3/8" NUT	02	02
26	0501040161	RIGHT HYDRAULIC CYLINDER	01	01
27	0501040162	LEFT HYDRAULIC CYLINDER	01	01
28	0501068942	"T" CONNECTION NIPPLES	02	02
29	0501080021	1/2" X 51" TR-TR HOSE ASSY	02	02
30	0501080022	1/2" X 43" TR-TR HOSE ASSY	02	02
31	0501080336	1/2" X 2450 TR-TR HOSE	02	02
32	0501080705	3/4" X 118" TR-TC HOSE	01	01
33	0521019431	1" X 45.27" AB-AB HOSE	01	01
34	0531012108	1.1/4" X 106.29" AB-AB HOSE	01	01
35	0501047999	TANK COVER EXTENSION	01	01
35A	0501065168	EXTENSION TANK COVER	01	01
35B	0502020549	TANK COVER	01	01
36	0511010153	2-5/16" FIXED WRENCH	01	01
37	0501051748	ADAPTER ASSY	02	02
37A	0511016921	ADAPTER BODY BOLT BEATER	01	01
37B	0521010905	M16 X 08" X 0.23" PD V 1380-4S NUT	01	01
37C	0521010906	M16 X 2 X 50 BOLT	01	01
38	0501069824	SUPPORT CONTROL VALVE	01	01
39	0503010184	CLAMP	02	02
40	0503010243	CLAMP	02	02
41	0511061957		01	01
42	0511061958		01	01
43	0503012733	AUXILIARY TANK TUBE	02	02
44	0531013197	RIGHT TUBE TANK OIL PROTECTION	01	01
45	0531013198	LEFT TUBE TANK OIL PROTECTION	01	01
46	0503010751	C3/8" X 1.1/4" HEX BOLT G.5	04	04



MARCHESAN IMPLEMENTOS E MÁQUINAS AGRÍCOLAS TATU S.A.

AV. Marchesan, 1979 - Post office box, 131 - CEP 15994-900 - Matão - SP - Brazil

Phone +55 16.3382-8282

(FAX Parts) + 55 16.3382. 8297 - (Export) + 55 16.3382.1003

e.mail: tatu@marchesan.com.br www.marchesan.com.br

Technical Publications: Elaboration

ALESSANDRA PATRICIA KAWAHARA CARRILI

Technical Publications: Revision

JOSÉ DOMINGOS GASPARI

Contact Catálogo:

E-mail = jgaspari@marchesan.com.br

**ORIGINAL PARTS
TATU**

