

PARTS CATALOG

FRONT LOADER

PD VALTRA BM 110-4 SHT S-0701

Code: 0501091427



Series: S-0701

Review: JULHO/01

ORIGINAL PARTS
TATU

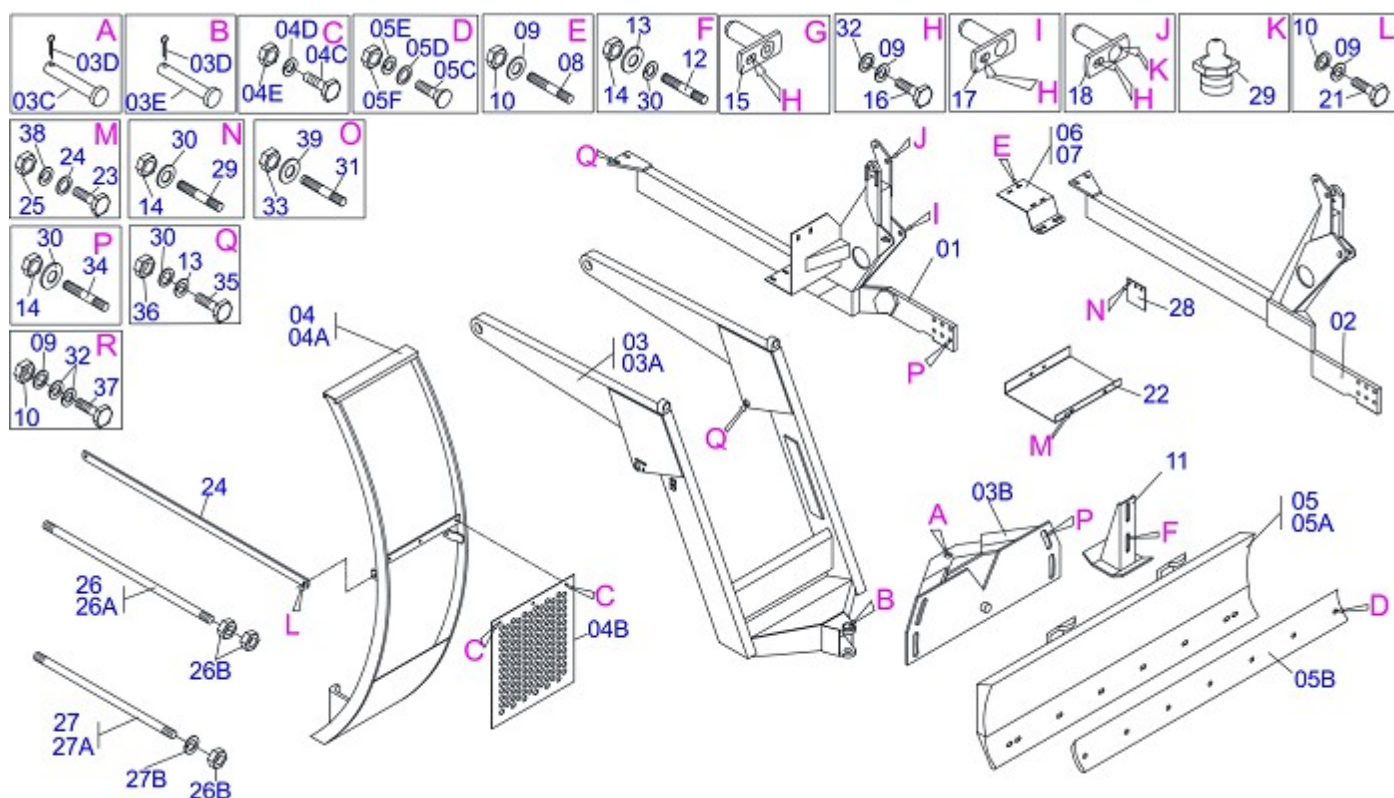


INDEX

0909090323	FRONT LOADER VTR BM 110-4 SHT	1
0909090324	HYDRAULIC CIRCUIT VTR BM 110-4 SHT	2
0909090269	HYDRAULIC CYLINDER	3

ATTENTION: IMPORTANT

MARCHESAN RESERVES THE RIGHT AT ANY TIME TO MAKE IMPROVEMENTS IN THE DESIGN, MATERIAL OR SPECIFICATIONS OF MACHINERY, EQUIPMENT OR PARTS WITHOUT THEREBY BECOMING LIABLE TO MAKE SIMILAR CHANGES IN MACHINERY, EQUIPMENT OR PARTS PREVIOUSLY SOLD.

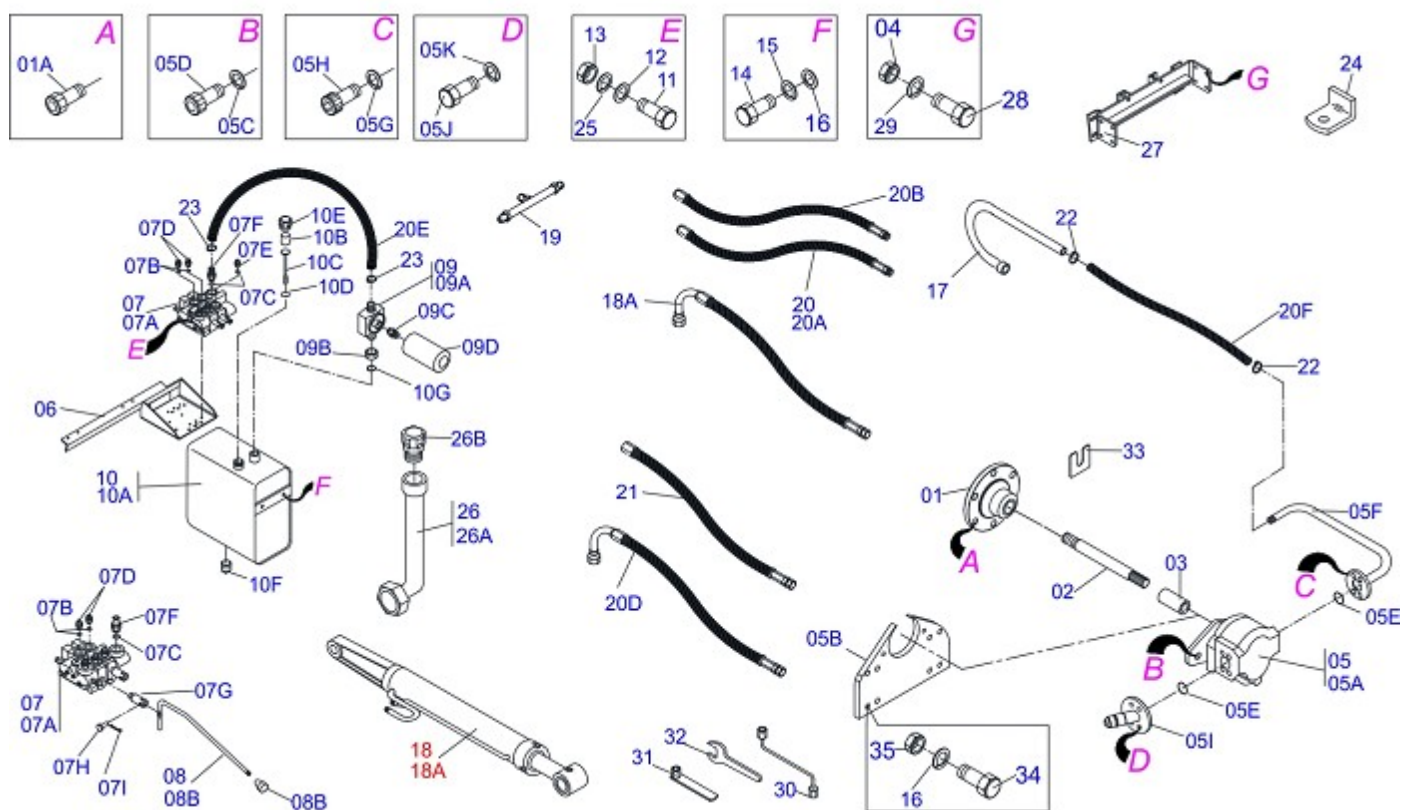


Item	Code	Description	QT
01	0501066668	RIGHT FRAME	01
02	0501066670	LEFT FRAME	01
03	0501044604	MOBILE SUPPORT ASSY	01
03A	0501066834	MOBILE SUPPORT	01
03B	0501062637	5/8" REGULATOR SUPPORT	01
06	0531016041	BEATER	02
08	0501063145	RH FRAME BRACKET	01
08A	0501063146	LH FRAME BRACKET	01
09	0501010500	3/4" X 3" BOLT	04
10	0501010322	FLAT WASHER	12
11	0503010014	3/4" NUT	04
14	0501041849	1.1/4" NC X 910 ROD	01
14A	0501014914	1.1/4" X 910 ROD	01
14B	0501010087	1.1/4" UNC NUT	12
15	0501063751	1.5" X 5.5" PIVOT SHAFT	02
16	0501063958	1.5" X 4.3" PIVOT SHAFT LOCK	02
17	0501063959	PIVOT SHAFT	02
18	0503010002	GREASE FITTING	02
19	0503010962	5/8" X 1-1/4" BOLT	06
21	0501049367		01
21A	0511061956		01
21B	0501014687	FRONT PROTECTION	01
21C	0503010751	3/8" X 1.1/4" HEX BOLT G.5	03
21D	0501010984	FLAT WASHER	03
21E	0501011338	3/8" SQUARE NUT	03
24	0501014639	ATTACHMENT BAR	02
26	0501044604	MOBILE SUPPORT ASSY	01
26A	0501066834	MOBILE SUPPORT	01
26B	0501062637	5/8" REGULATOR SUPPORT	01
26C	0521010618	1.4" X 8.6" COUPLING SHAFT	01
26D	0521010612	1.4" X 3.5" COUPLING SHAFT	01
26E	0503010010	1/4" X 2.1/2" COTTERPIN	02
27	0501041427	1.1/4" NC X 1540 ROD	02



PD VALTRA BM 110-4 SHT S-0701
FRONT LOADER VTR BM 110-4 SHT

Item	Code	Description	QT
27A	0501014250	1.1/4" X 1540 ROD	02
28	0501047708	2400 BLADE SUPPORT	01
28A	0501067999	2390 BLADE SUPPORT	01
28B	0622360016	94.5" SCRAPER REVERSIBLE	01
28C	0501012240	5/8" X 2-1/2" BOLT	08
28D	0501010301	FLAT WASHER	08
28E	0503010027	5/8" SPRING WASHER	08
28F	0503010013	5/8" NUT	08
29	0501063411	ESTABILIZER BRACKET	02
30	0501010571	3/4 NC X 3/4 NF X 56 PRISONER	04
34	0108010002	9 TEETH ROOTH RAKER	01
34A	0501060958	9 TEETH ROOTH RAKER	01
34B	0501010276	1" X 3" BOLT	04
34C	0501010065	FLAT WASHER	04
34D	0503010012	1" SPRING WASHER	04
34E	0501010059	1" NUT HEX	04



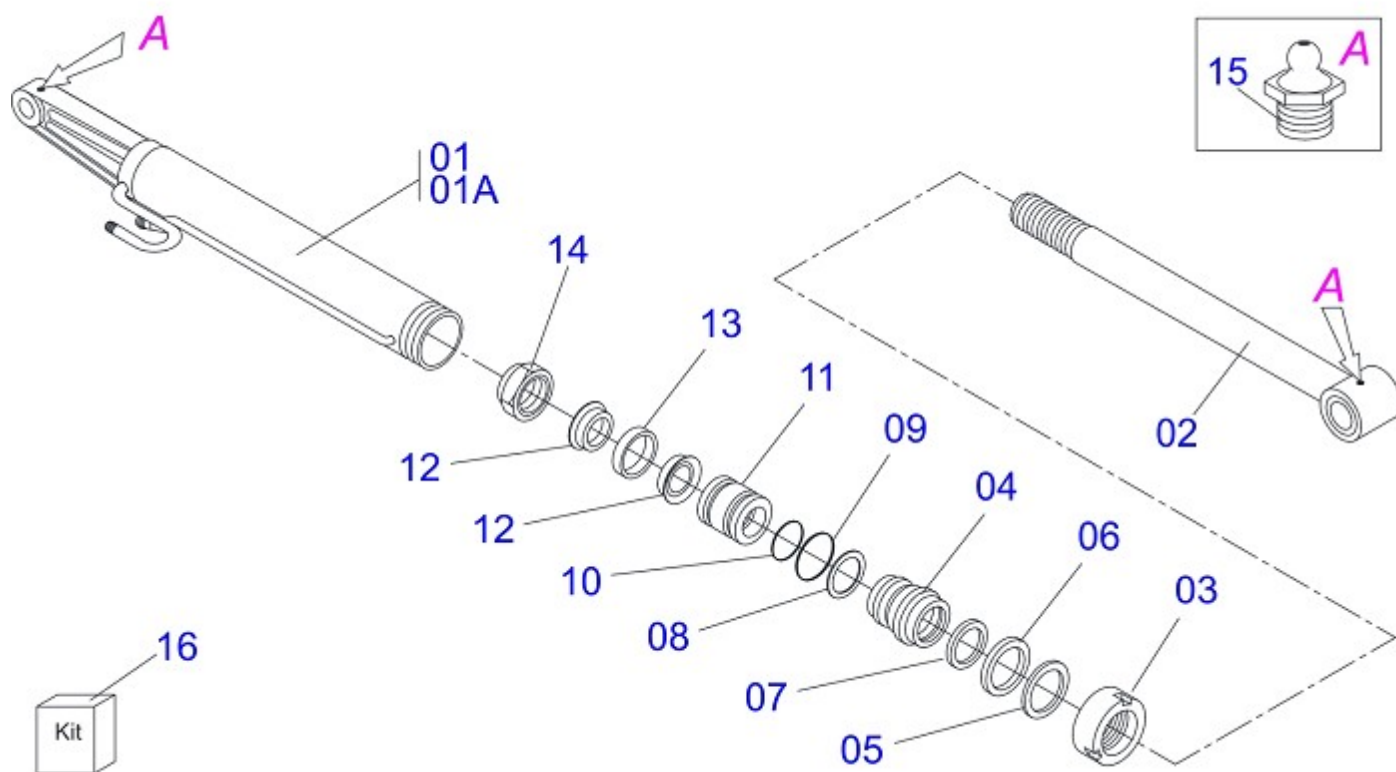
Item	Code	Description	QT
01	0501067327	FLANGE COUPLING	01
01A	0503011313	M8 X 2" BOLT	06
02	0511061168	555 X 1.1/8 STRIATED X 1.1/8-30G AXLE	01
03	0503031697	1.338" X 2.4" SLEEVE	01
04	0503010013	5/8" NUT	08
05	0501053612	PUMP WITH TUBE	01
05A	0503060045	40L 1/2" PUMP	01
05B	0501014609	PUMP SUPPORT	01
05C	0501010063	1/2" X 1-1/2" BOLT	02
05D	0503010019	1/2" SPRING WASHER	02
05E	0503010173	2-220 N 3006-9B O'RING	02
05F	0511063112	PUMP SUCTION TUBE	01
05G	0503010355	7/16" X 1" BOLT	04
05H	0503010180	7/16" SPRING WASHER	04
05I	0501069712	PUMP PRESSURE TUBE	01
05J	0503010237	3/8" X 1" HEX BOLT G5	04
05K	0503010025	3/8" SPRING WHASHER	07
06	0501069824	SUPPORT CONTROL VALVE	01
07	0501040873	1/2" DOUBLE COMMAND	01
07A	0503060081	1/2" DOUBLE COMMAND	01
07B	0503010045	2-116 N 3006-9B O'RING	04
07C	0503010602	2-211 N 3006-9B O'RING	02
07D	0501010590	7/8" REDUCTION NIPPLE	04
07E	0501010589	1-1/16 NIPPLE	01
07F	0501010591	HOSE NIPPLE	01
07G	0503030347	UPPER LEVER ASSY (SAUER DANFOSS)	02
07H	0521010532	0.3" X 0.9" COUPLING SHAFT	02
07I	0503010140	1/8" X 3/4" COTTERPIN	02
08	0501048023	CONTROL VALVE	02
08A	0511060695	CONTROL VALVE	01
08B	0503030878	LEVER CRANK	01
09	0501041108	RETURNING FILTER ASSY	01
09A	0502050002	RETURNING FILTER HEAD	01



HYDRAULIC CIRCUIT VTR BM 110-4 SHT

0909090324

Item	Code	Description	QT
09B	0501010594	1" NUT HEX	01
09C	0501010595	1" NF NIPPLE	01
09D	0503010183	RETURNING FILTER	01
10	0501047807	RESERVOIR OIL ASSY	01
10A	0501068880	RESERVOIR OIL	01
10B	0503030044	FILTERING ELEMENT	01
10C	0501060975	OIL GAGE	01
10D	0503010185	2-221 N 3006-9B O'RING	01
10E	0502020472	TANK COVER BODY	01
10F	0503031604	1/2" BSP PLUG	01
10G	0503010046	2-216 N 3006-9B O'RING	01
11	0501010080	3/8" X 1-1/2" BOLT	03
12	0501010984	FLAT WASHER	03
13	0503010026	3/8" NUT	03
14	0501010161	1/2" X 1-1/4" BOLT	04
15	0501017302	3/4" X 3-3/4" BOLT	04
16	0503010019	1/2" SPRING WASHER	08
17	0501063383	TANK OUTER TUBE	01
18	0501040161	RIGHT HYDRAULIC CYLINDER	01
18A	0501040162	LEFT HYDRAULIC CYLINDER	01
19	0501068942	"T" CONNECTION NIPPLES	02
20	0501053613		01
20A	0501080103	1/2" X 47" TR-TR HOSE ASSY	02
20B	0501080022	1/2" X 43" TR-TR HOSE ASSY	02
20C	0501080322		02
20D	0501080763		01
20E	0501013436		01
20F	0511017918		01
21	0501080120	1/2" X 400 TR-TR HOSE	01
22	0503010243	1-1/2" TO 2" CLAMP	02
23	0503010184	1-1/4" TO 1-1/2" CLAMP	02
24	0521016106	HOSE ASSY FIXER SUPPORT	01
25	0503010025	3/8" SPRING WHASHER	03
26	0511041980	TANK COVER PROTRACTOR TRACTOR	01
26A	0511064784	TANK DIESEL EXTENSION	01
26B	0502020473	COVER TUBE	01
27	0511063110		01
28	0501010100	5/8" X 2" BOLT	08
29	0503010027	5/8" SPRING WASHER	08
30	0501068213	5/8" WRENCH DOUBLE	01
31	0501061617	1" WRENCH CYLINDRICAL HEX	01
32	0511010153	2-5/16" FIXED WRENCH	01
33	0501010794	HIDR CHOCK REGULATOR	20
34	0503010905	1/2" X 2-1/4" BOLT	04
35	0503010060	1/2" NUT	04



Item	Code	Description	
00	0501040161	RIGHT HYDRAULIC CYLINDER	
00A	0501040162	LEFT HYDRAULIC CYLINDER	
01	0501063658	RH 101,6 X 472 CYLINDER CASE	01
01A	0501063659	LH 101,6 X 472 CYLINDER CASE	01
02	0501068966	HYDRAULIC CYLINDER TURNBUCKLE	01
03	0502010017	4" HEAD	01
04	0502010778	2" X 4.2" RING SUPPORT	01
05	0503010039	D-2000 SCRAPER RING	01
06	0503010991	PACKING 1870-2000-375-B	01
07	0503010952	W2-2250-500 PK RING G.E	01
08	0503011061	8-342 BACK-UP RING	01
09	0503010338	2-342 N 3006-9B O'RING	01
10	0503010345	2-218 N 3006-9B O'RING	01
11	0502010992	2.0" X 4.0" PISTON	01
12	0503010043	PACKING 3750-3250	02
13	0503010994	W2-4000-500 PK RING G.E	01
14	0503010817	1.1/4" UNF SELF ADJUSTING NUT	01
15	0503010002	GREASE FITTING	02
16	0501031799	HYDRAULIC CYLINDER REPAIR KIT	01



MARCHESAN IMPLEMENTOS E MÁQUINAS AGRÍCOLAS TATU S.A.
AV. Marchesan, 1979 - Post office box, 131 - CEP 15994-900 - Matão - SP - Brazil
Phone +55 16.3382-8282
(FAX Parts) + 55 16.3382. 8297 - (Export) + 55 16.3382.1003
e.mail: tatu@marchesan.com.br www.marchesan.com.br

Drafting and Illustration = GASPARI
e.mail = jgaspari@marchesan.com.br

**ORIGINAL PARTS
TATU**

