

PARTS CATALOG

FRONT LOADER

PD VALTRA-BM 85 A 100-4 SHT CD
S-0195

Code: 0501091426



Series: S-0195

Review: JANEIRO/95

ORIGINAL PARTS
TATU

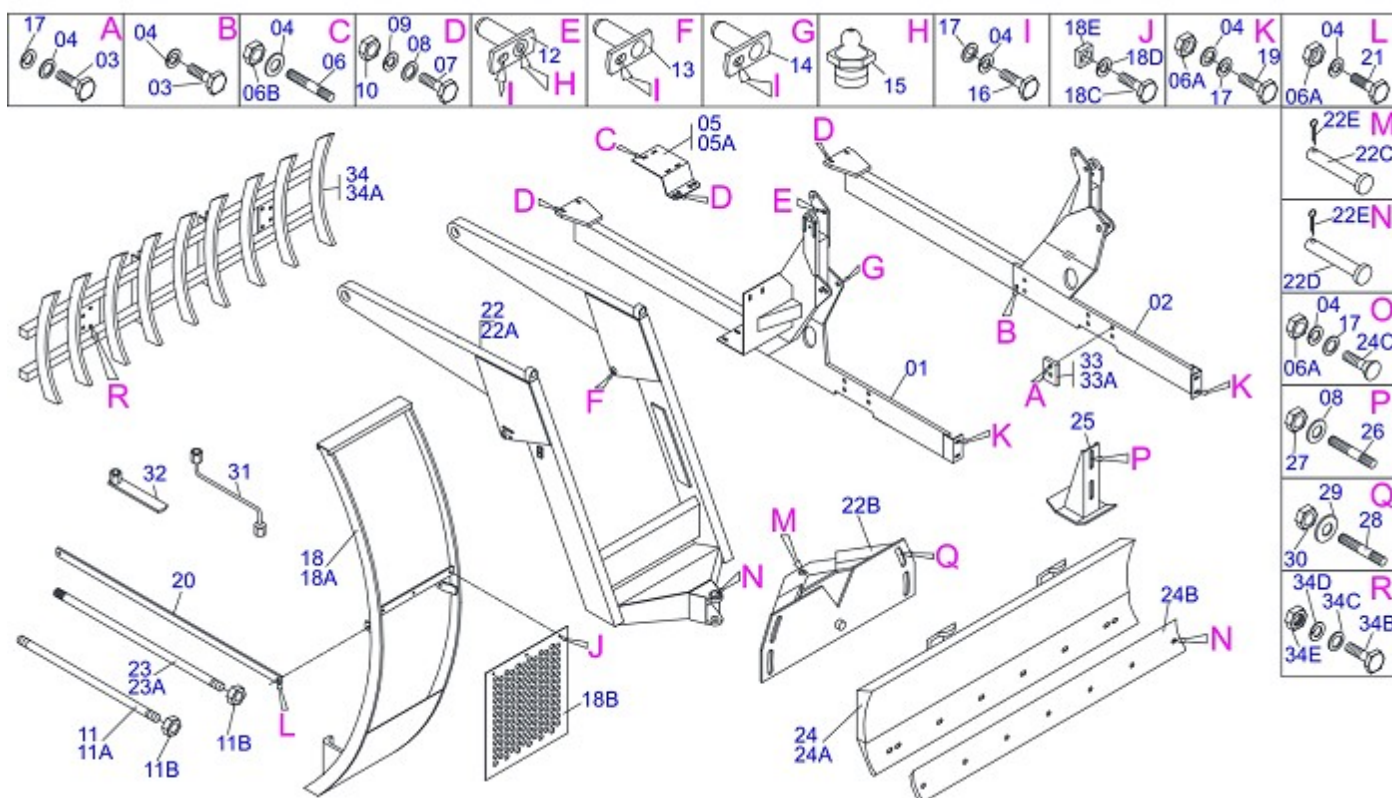


INDEX

0909090242	FRONT LOADER VTR BM 85 - 100-4 SHT	1
0909090245	HYDRAULIC CIRCUIT VTR BM 85/100-4	2
0909090247	HYDRAULIC CYLINDER	3

ATTENTION: IMPORTANT

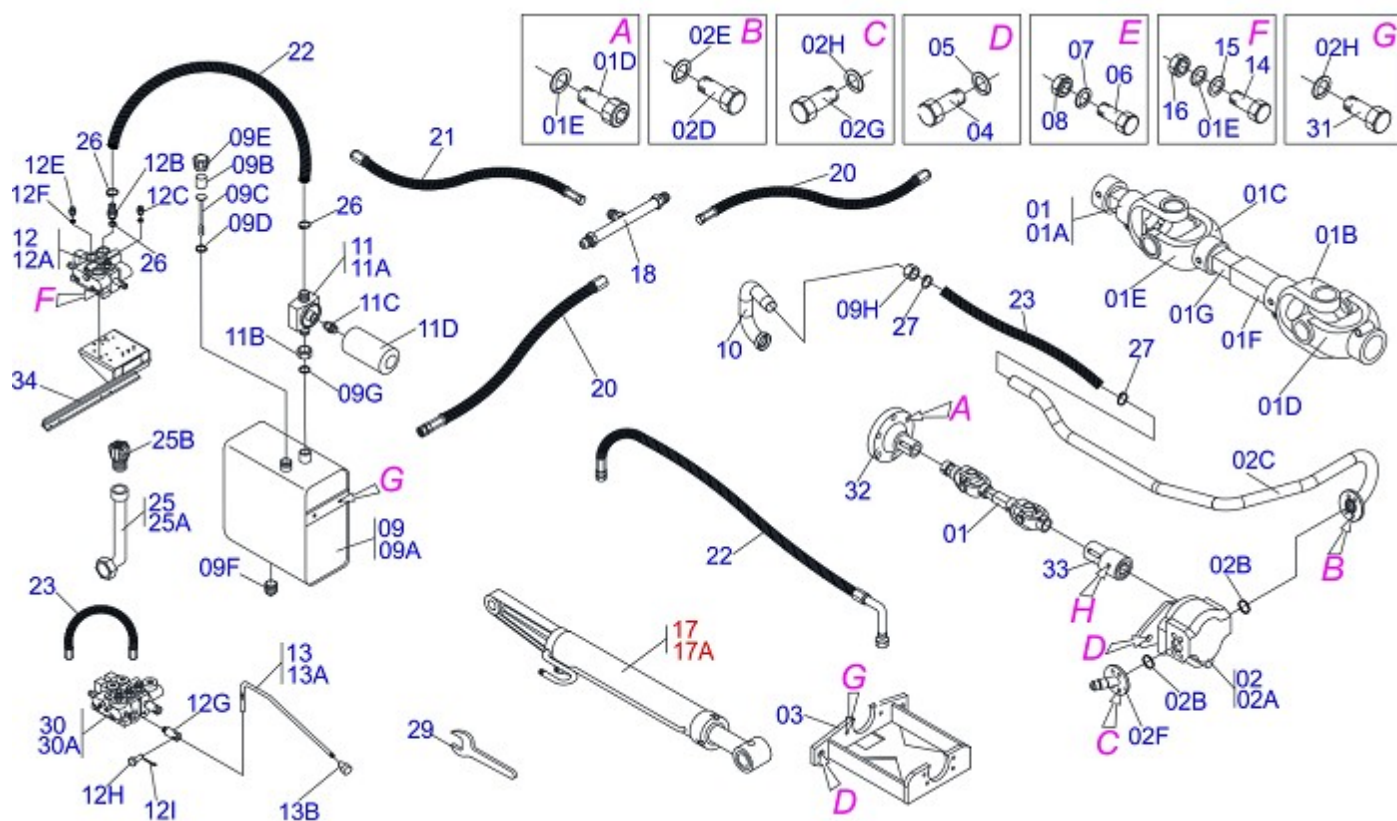
MARCHESAN RESERVES THE RIGHT AT ANY TIME TO MAKE IMPROVEMENTS IN THE DESIGN, MATERIAL OR SPECIFICATIONS OF MACHINERY, EQUIPMENT OR PARTS WITHOUT THEREBY BECOMING LIABLE TO MAKE SIMILAR CHANGES IN MACHINERY, EQUIPMENT OR PARTS PREVIOUSLY SOLD.



Item	Code	Description	QT
01	0501067339	RIGHT FRAME	01
02	0501067340	LEFT FRAME	01
03	0503011730	M16 X 2 X 60 BOLT	16
04	0503010027	5/8" SPRING WASHER	46
05	0501063145	RH FRAME BRACKET	01
05A	0501063146	LH FRAME BRACKET	01
06	0501011426	PRISONER 5/8 NC X 5/8 NC X 240	08
06A	0503010013	5/8" NUT	30
07	0501010500	3/4" X 3" BOLT	04
08	0501010322	FLAT WASHER	12
09	0503010023	3/4" SPRING WASHER	08
10	0503010014	3/4" NUT	04
11	0501041849	1.1/4" NC X 910 ROD	01
11A	0501014914	1.1/4" X 910 ROD	01
11B	0501010087	1.1/4" UNC NUT	12
12	0501063751	1.5" X 5.5" PIVOT SHAFT	02
13	0501063958	1.5" X 4.3" PIVOT SHAFT LOCK	02
14	0501063959	PIVOT SHAFT	02
15	0503010002	GREASE FITTING	02
16	0503010962	5/8" X 1-1/4" BOLT	06
17	0501012140	FLAT WASHER	28
18	0501041796	MOBILE SUPPORT GUIDE ASSY	01
18A	0501063133	MOBILE SUPPORT GUIDE	01
18B	0501014687	FRONT PROTECTION	01
18C	0503010751	3/8" X 1.1/4" HEX BOLT G.5	03
18D	0501010984	FLAT WASHER	03
18E	0501011338	3/8" SQUARE NUT	03
19	0501010100	5/8" X 2" BOLT	06
20	0511016419		02
21	0503010232	5/8" X 1.3/4" BOLT	02
22	0501048439		01
22A	0501069935		01
22B	0501062637	5/8" REGULATOR SUPPORT	01



Item	Code	Description	QT
22C	0521010618	1.4" X 8.6" COUPLING SHAFT	01
22D	0501017416	37,5 X 90 PIN	01
22E	0503010010	1/4" X 2.1/2" COTTERPIN	02
23	0501041427	1.1/4" NC X 1540 ROD	02
23A	0501014250	1.1/4" X 1540 ROD	02
24	0501047708	2400 BLADE SUPPORT	01
24A	0501067999	2390 BLADE SUPPORT	01
24B	0622360016	94.5" SCRAPER REVERSIBLE	01
24C	0501012240	5/8" X 2-1/2" BOLT	08
25	0501063411	ESTABILIZER BRACKET	02
26	0501010571	3/4 NC X 3/4 NF X 56 PRISONER	04
27	0503010335	3/4" NUT	04
28	0501010572	1 UNC X 1 UNS X 76 PRISONER	04
29	0501010574	FLAT WASHER	04
30	0503010340	1" UNF NUT	04
31	0501068213	5/8" WRENCH DOUBLE	01
32	0501061617	1" WRENCH CYLINDRICAL HEX	01
33	0531014070	BEATER BM VTR	02
34	0108010002	9 TEETH ROOTH RAKER	01
34A	0501060958	9 TEETH ROOTH RAKER	01
34B	0501010276	1" X 3" BOLT	04
34C	0501010065	FLAT WASHER	04
34D	0503010012	1" SPRING WASHER	04
34E	0501010059	1" NUT HEX	04



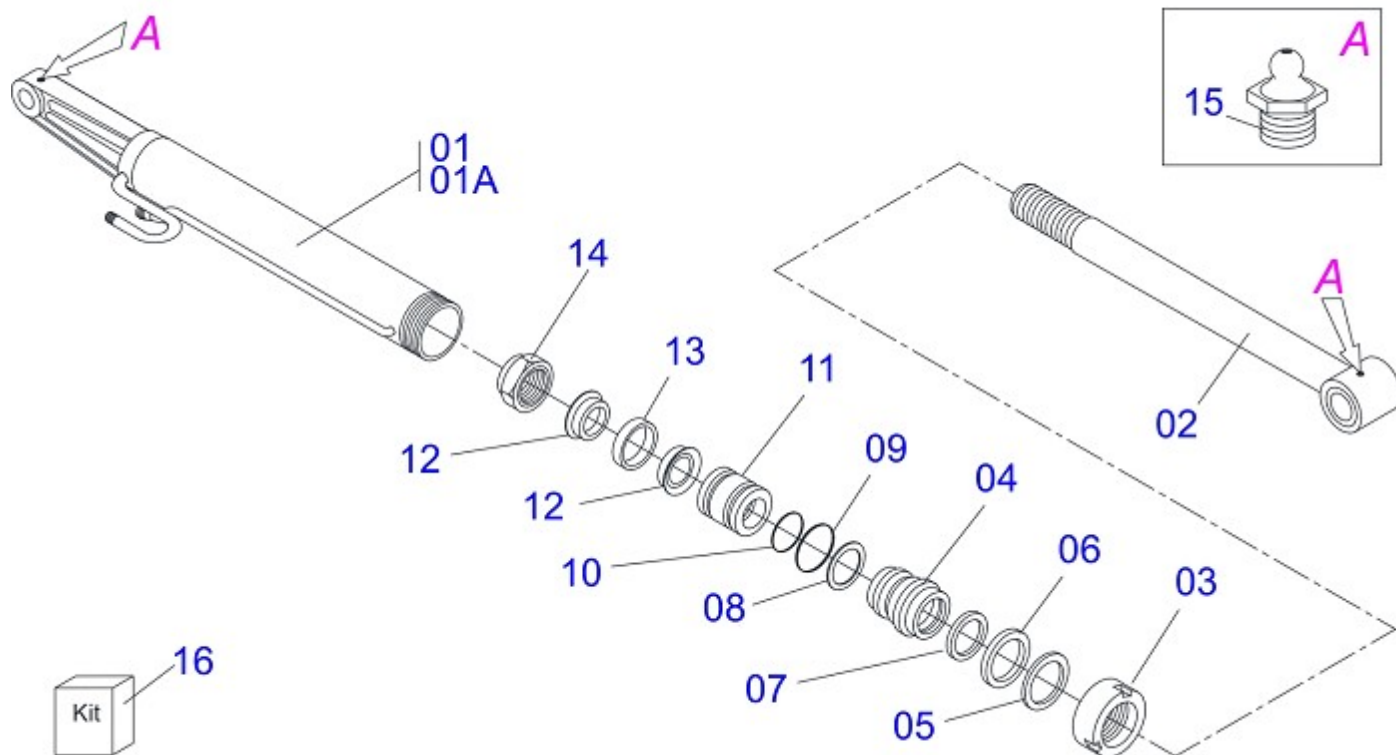
Item	Code	Description	QT
01	0511040786	DRIVE SHAFT	01
01A	0502010886	10-20 TERMINAL	02
01B	0502010559	2-20 TERMINAL	01
01C	0502010562	3-20 TERMINAL	01
01D	0503010835	CARDAN CROSSPIECE	02
01E	0503010839	03" X 0.6" ELASTIC PIN	02
01F	0531014423	16.73 SQ 0.89 SLEEVE	01
01G	0531014424	0.9" X 15.35 SQUARE SHAFT	01
02	0501052012	PUMP WITH TUBE	01
02A	0503060045	40L 1/2" PUMP	01
02B	0503010173	2-220 N 3006-9B O'RING	02
02C	0501069711	PUMP SUCTION TUBE	01
02D	0503010355	7/16" X 1" BOLT	04
02E	0503010180	7/16" SPRING WASHER	04
02F	0501069712	PUMP PRESSURE TUBE	01
02G	0503010237	3/8" X 1" HEX BOLT G5	04
03	0511063350	PUMP SUPPORT	01
04	0503011188	M16 X 2 X 50 BOLT	02
05	0503010027	5/8" SPRING WASHER	02
06	0501010161	1/2" X 1-1/4" BOLT	06
07	0503010019	1/2" SPRING WASHER	06
08	0511017302	FLAT WASHER	06
09	0501047807	RESERVOIR OIL ASSY	01
09A	0501068880	RESERVOIR OIL	01
09B	0503030044	FILTERING ELEMENT	01
09C	0501060975	OIL GAGE	01
09D	0503010185	2-221 N 3006-9B O'RING	01
09E	0502020472	TANK COVER BODY	01
09F	0503031604	1/2" BSP PLUG	01
09G	0503010046	2-216 N 3006-9B O'RING	01
10	0501063383	TANK OUTER TUBE	01
11	0501041108	RETURNING FILTER ASSY	01
11A	0502050002	RETURNING FILTER HEAD	01



HYDRAULIC CIRCUIT VTR BM 85/100-4

0909090245

Item	Code	Description	QT
11B	0501010594	1" NUT HEX	01
11C	0501010595	1" NF NIPPLE	01
11D	0503010183	RETURNING FILTER	01
12	0501040871	1/2" COMMAND SIMPLE ASSY	01
12A	0503060080	1/2" COMMAND SIMPLE	01
12B	0501010591	HOSE NIPPLE	01
12C	0501010589	1-1/16 NIPPLE	01
12D	0503010602	2-211 N 3006-9B O'RING	02
12E	0501010590	7/8" REDUCTION NIPPLE	02
12F	0503010045	2-116 N 3006-9B O'RING	02
12G	0503030347	UPPER LEVER ASSY (SAUER DANFOSS)	01
12H	0521010533	0.3" X 1" COUPLING SHAFT	01
12I	0503010140	1/8" X 3/4" COTTERPIN	01
13	0501048023	CONTROL VALVE	01
13A	0511060695	CONTROL VALVE	01
13B	0503030878	LEVER CRANK	01
14	0501010080	3/8" X 1-1/2" BOLT	03
15	0501010984	FLAT WASHER	03
16	0503010026	3/8" NUT	03
17	0501044368	HYDRAULIC CYLINDER	01
17A	0501044369	HYDRAULIC CYLINDER	01
18	0501068942	"T" CONNECTION NIPPLES	02
19	0501080120	1/2" X 400 TR-TR HOSE	01
20	0501080103	1/2" X 47" TR-TR HOSE ASSY	04
21	0501080174		02
22	0501080705	3/4" X 118" TR-TC HOSE	01
23	0501018430	1" X 35.4" TC-TM HOSE ASSY	01
24	0501014834	1-1/4" X 49" AB-AB HOSE	01
25	0501048210	TANK COVER PROTRACTOR	01
25A	0501069618	TANK COVER PROTRACTOR	01
25B	0502020549	TANK COVER	01
26	0503010184	1-1/4" TO 1-1/2" CLAMP	02
27	0503010243	1-1/2" TO 2" CLAMP	02
28	0503010246	2" TO 2 1/2" CLAMP	03
29	0511010153	2-5/16" FIXED WRENCH	01
30	0501040873	1/2" DOUBLE COMMAND	01
30A	0503060081	1/2" DOUBLE COMMAND	01
31	0503010175	3/8" X 1-1/4" BOLT	02
32	0521016647	COUPLING FLANGE	01
33	0511062516	3.1" X 1-1/8" AXLE	01
34	0501069824	SUPPORT CONTROL VALVE	01



Item	Code	Description	
00	0501044368	HYDRAULIC CYLINDER	
00A	0501044369	HYDRAULIC CYLINDER	
01	0501063606	RH 85,7 X 483 CYLINDER CASE	01
01A	0501063607	LH 85,7 X 483 CYLINDER CASE	01
02	0501069048	44,45 X 648 TURNBUCLE	01
03	0502010993	DETACHABLE COVER	01
04	0502010781	RING SUPPORT	01
05	0503010761	D-1750 SCRAPER RING	01
06	0503010990	GASKET	01
07	0503010949	W2-2000-500 PK RING G.E	01
08	0503011060	8-336 BACK-UP RING	01
09	0503010976	2-336 N 3006-9B O'RING	01
10	0503010042	2-214 N 3006-9B O'RING	01
11	0502010843	1.8" X 3.4" PISTON	01
12	0503010170	PACKING 3120 2750	02
13	0503010948	W4-3346-590 PK RING G.E	01
14	0503010063	1" SELF-ALIGNING NUT	01
15	0503010002	GREASE FITTING	02
16	0501031796	HYDRAULIC CYLINDER REPAIR KIT	



MARCHESAN

MARCHESAN IMPLEMENTOS E MÁQUINAS AGRÍCOLAS TATU S.A.

AV. Marchesan, 1979 - Post office box, 131 - CEP 15994-900 - Matão - SP - Brazil

Phone +55 16.3382-8282

(FAX Parts) + 55 16.3382. 8297 - (Export) + 55 16.3382.1003

e.mail: tatu@marchesan.com.br www.marchesan.com.br

*Drafting and Illustration = GASPARI
e.mail = jgaspari@marchesan.com.br*

**ORIGINAL PARTS
TATU**



MARCHESAN