

CATÁLOGO DE PEÇAS

PLAINAS DIANTEIRAS

PD VALTRA 800/800-4/900-4 SHT
S-0299

Código: 0501091425



Série: S-0299

Revisão: FEVEREIRO/99

PEÇAS ORIGINAIS
TATU

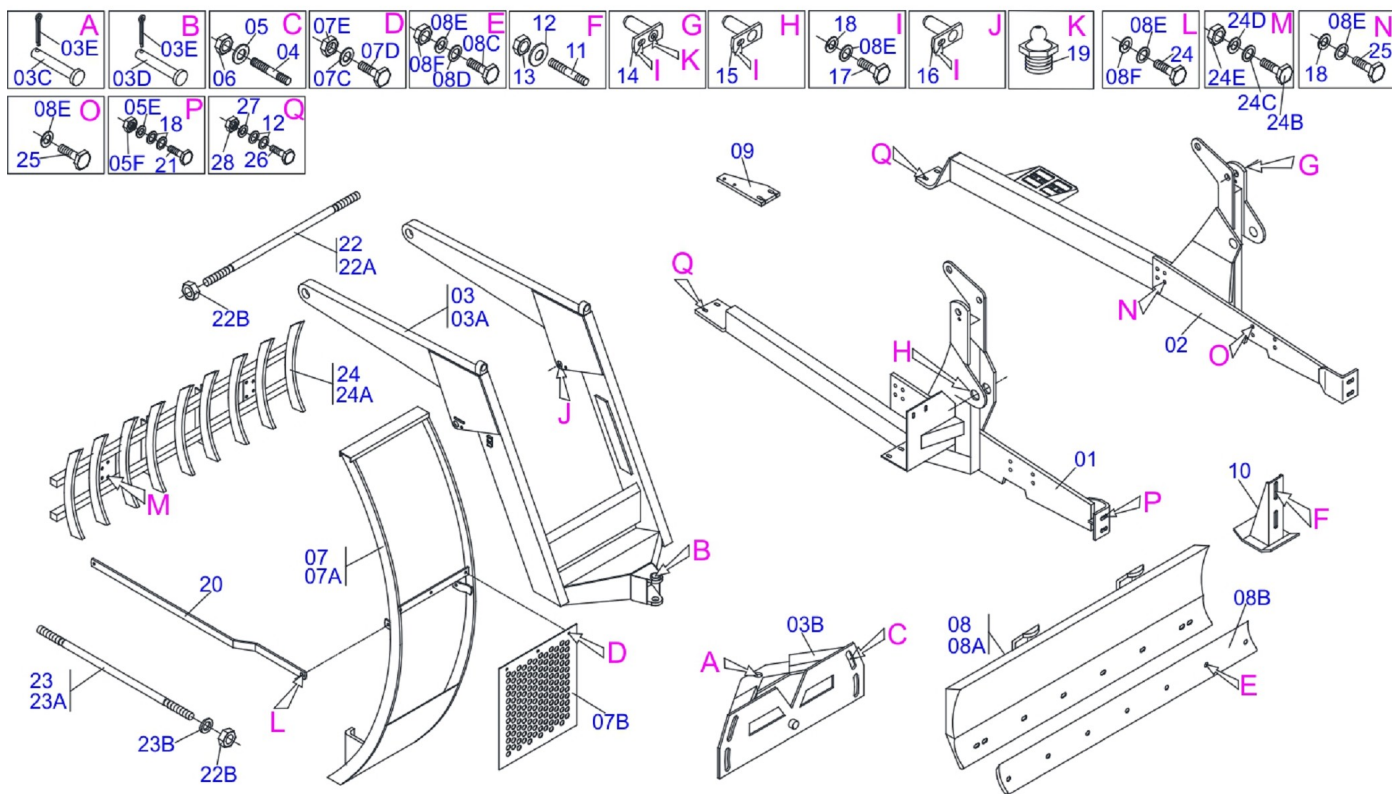


INDICE

0909090334	PD VTR 800/800-4/900-4 SHT CS S0299	1
0909090335	CIRCUITO H VTR 800/800-4/900-4 SHT	2
0909091182	CILINDRO VTR 800/800-4/900-4	3
0909091184	CIRCUITO H VTR 800/800-4/900-4 BT	4
0909091185	CILINDRO VTR 800/800-4/900-4 BT	5

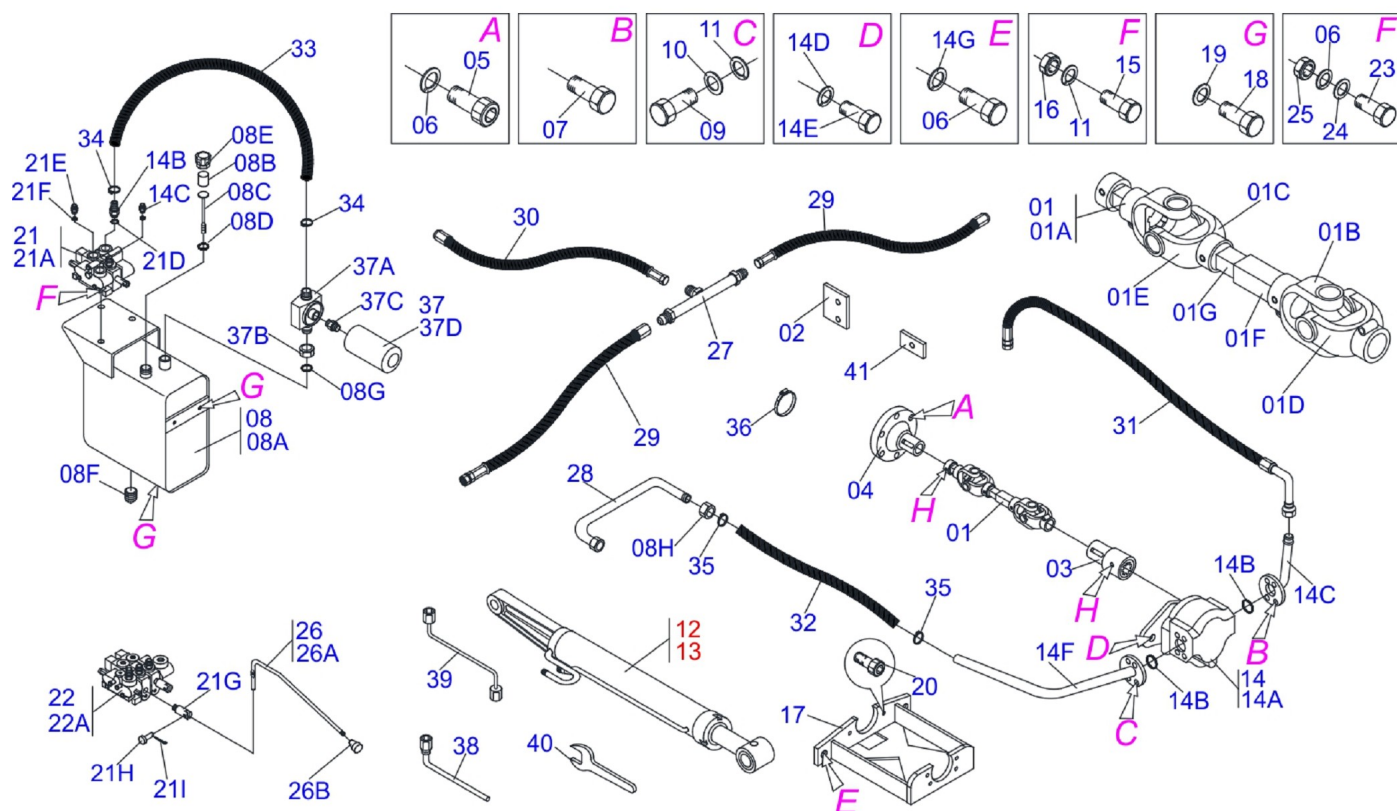
ATENÇÃO: IMPORTANTE

A MARCHESAN S.A. RESERVA O DIREITO DE APERFEIÇOAR E/ OU ALTERAR AS CARACTERÍSTICAS TÉCNICAS DE SEUS PRODUTOS, SEM A OBRIGAÇÃO DE ASSIM PROCEDER COM OS JÁ COMERCIALIZADOS E SEM CONHECIMENTO PRÉVIO DA REVENDA OU DO CONSUMIDOR.



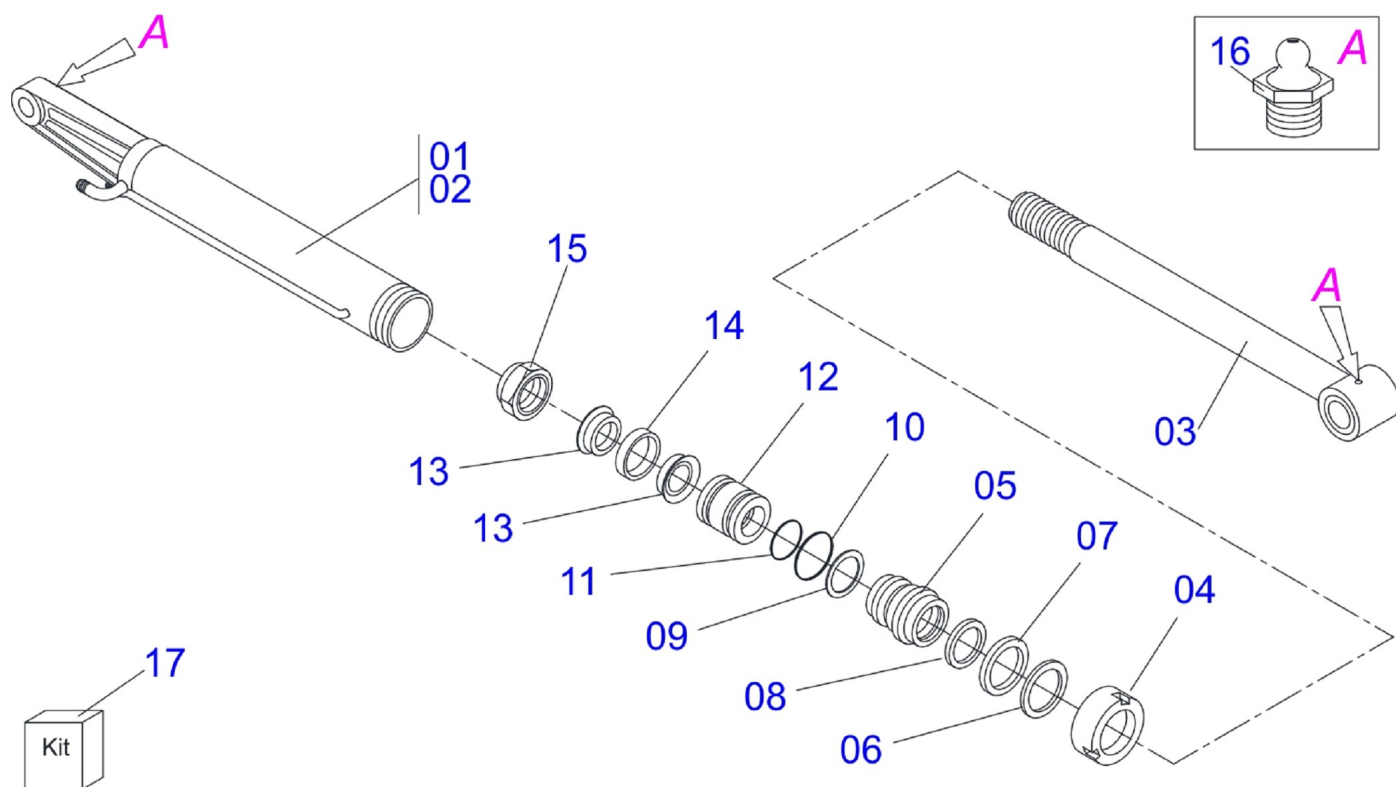
Item	Código	Descrição	
01	0511060100	CHASSI DIR PD VTR 800-4 SHT S-0299	01
02	0511060101	CHASSI ESQ PD VTR 800-4 S-0299	01
03	0501042513	SUPT MOV COMPL PD S-1188 MF 290-4	01
03A	0501063701	SUPT MOVEL F6610-4/MF290-4/8440-4	01
03B	0501062637	SUPT REGD 5/8 PD 2600	01
03C	0521010618	EIXO JUNCAO 37,50 X 220 V 880-4 ZN	01
03D	0521010612	EIXO JUNCAO 37,50 X 100 PAM 900 ZN	01
03E	0503010010	CONTRAPINO 1/4 X 2.1/2	02
04	0501010572	PRISION 1UNC X 1UNS X 76 ZN	04
05	0501010574	ARRUELA LISA 27 X 100 X 6,30 ZN	04
06	0503010340	PORCA 1 UNS 14FPP ZN	04
07	0501047978	GUIA SUP MOV ALTA COMP MF290-4MB TL	01
07A	0501069169	GUIA SUPT MOVEL PD MF 290-4MB	01
07B	0501014214	TELA 700 X 685	01
07C	0503010751	PARAF 3/8 UNC X 1.1/4 C S G.5 ZN	03
07D	0501010984	ARRUELA LISA 10,50 X 27 X 3,00 ZN	03
07E	0503010026	PORCA 3/8 NC S ZN 1K03048	03
08	0501047708	PORTA RASP 2400 S/SAPATA	01
08A	0501067999	PORTA RASPADOR 2390 C/FIX P/VARAO	01
08B	0622360016	RASPADOR REV 2400 PD	01
08C	0501012240	PARAF 5/8 UNC X 2.1/2 CEPQ G.5 ZN	08
08D	0501010301	ARRUELA LISA 16 X 29,50 X 3,00 ZN	08
08E	0503010027	ARRUELA PRESSAO 5/8 ZN 1K01574	34
08F	0503010013	PORCA 5/8 NC ZN 1K03087	14
09	0521013656	SAPATA FIX CHASSI D/E PD V800-4	02
10	0501063411	SAPATA ESTAB	02
11	0501010571	PRISION 3/4 NC X 3/4 NF X 56 ZN	04
12	0501010322	ARRUELA LISA 20,50 X 46 X 4,75 ZN	12
13	0503010335	PORCA 3/4 NF ZN	04
14	0501063958	EIXO ARTIC C/TRAV 37,2X110S/GRAX SA	02
15	0501063959	EIXO ARTIC C/TRAVA 37,2X115 S/GRAX	02
16	0501063751	EIXO ARTIC C/TRAV 37,2X140P/GRAX SA	02
17	0503010962	PARAF 5/8 UNC X 1.1/4 C S G.5 ZN	06

Item	Código	Descrição	
18	0501012140	ARRUELA LISA 16,50 X 40 X 4,75 ZN	20
19	0503010002	GRAXEIRA 1800	02
20	0521013658	MAO FRANC 1515 PD VTR800-4	02
21	0501010100	PARAF 5/8 UNC X 2 C S G.5 ZN	06
22	0501042819	VARAO 1.1/4 NC X 850 COMPL	01
22A	0501018845	VARAO 1.1/4 X 850 CBT 8450-4	01
22B	0501010087	PORCA 1.1/4 UNC 7FPP (SEXT.2) ZN	04
23	0501041856	VARAO 1.1/4 NC X 1430 COMPL	02
23A	0501014855	VARAO 1.1/4 X 1430	01
23B	0502012180	ARRUELA CONICA PD	02
24	0108010002	DE 9 S-0178	01
24A	0501060958	DESENRAIZ ENL 9 780 X 2500	01
24B	0501010276	PARAF 1 UNC X 3 C.S. G.5 ZN	04
24C	0501010065	ARRUELA LISA 28 X 58 X 4,75 ZN	04
24D	0503010012	ARRUELA PRESSAO 1 ZN 1K01602	04
24E	0501010059	PORCA 1 NC SEXT 1.5/8 ZN	04
25	0503013378	PARAF M16 X 2 X 50 C S 10.9 ZN	14
26	0501010500	PARAF 3/4 UNC X 3 C S G.5 ZN	04
27	0503010023	ARRUELA PRESSAO 3/4 ZN 1K01584	04
28	0503010014	PORCA 3/4 NC S ZN	04

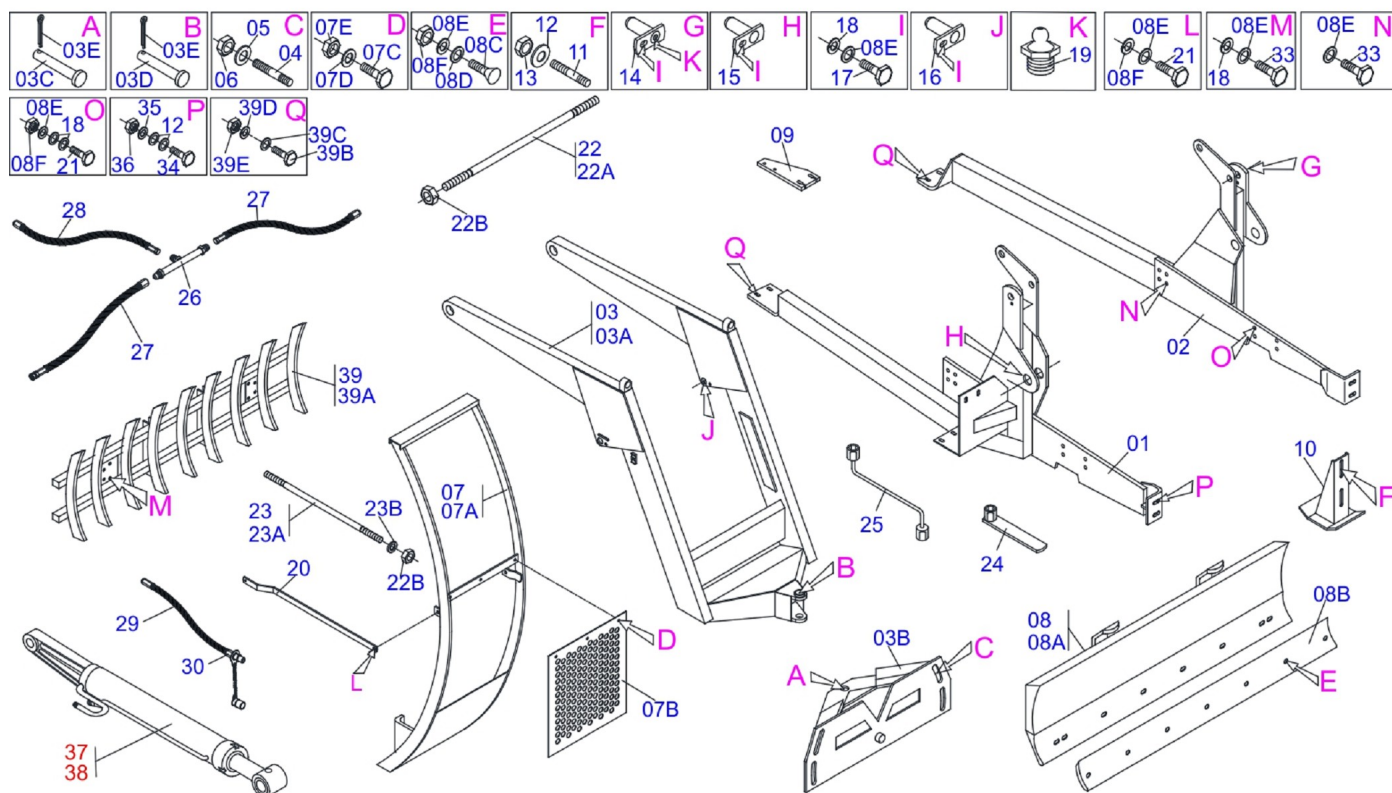


Item	Código	Descrição	CS	CD
01	0501049304	CARDAN 20X 466 T10/T10 CC1071/1	01	01
01A	0502010886	TERM 10-20 C/ F 1 C/ CHAV CC-121	02	02
01B	0502010559	TERM 2-20 C/ FQ 28,48/28,53 CC12	01	01
01C	0502010562	TERM 3-20 C/ FQ 22,05/22,10 CC11	01	01
01D	0503010835	CRUZETA CARDAN CC-04	02	02
01E	0503010839	PINO ELAST 701192 8 X 50	02	02
01F	0541013460	LUVA Q28,65 X Q22,65 X 165	01	01
01G	0521016648	EIXO Q22,1/22,23X165 PCA VTR 800-4	01	01
02	0521013659	CALCO PROT CARDAN TRAC DIANT	02	02
03	0511062516	EIXO 80 ESTR X 1.1/8 30G VTR 800	01	01
04	0521016647	FLANGE ACOPL PCA VTR 800-4	01	01
05	0503011313	PARAF M 8 X 1,25 X 50 C C S I 12.9	06	06
06	0503010025	ARRUELA PRESSAO 3/8 ZN 1K01527	13	13
07	0503011148	PARAF 3/8 UNC X 1/2 S C S I 12.9	02	02
08	0501047808	RESERVATORIO OLEO COMPL PD-MF 290	01	01
08A	0501068882	RESERVATORIO OLEO PD-MF 290	01	01
08B	0503030044	ELEM FILTRANTE AR	01	01
08C	0501060975	MEDIDOR OLEO 155 PD CBT,V,MF,FORD	01	01
08D	0503010185	ANEL O RING 2-221 N 3006-9B	01	01
08E	0502020472	CORPO TAMPA TANQUE	01	01
08F	0503031604	BUJAO 1/2 BSP X 17	01	01
08G	0503010046	ANEL O RING 2-216 N 3006-9B	01	01
08H	0501016309	PORCA R2 UNC 16 FPP X SEXT 2.5/16	01	01
09	0501010161	PARAF 1/2 UNC X 1.1/4 C S G.2 ZN	04	04
10	0511017302	ARRUELA LISA 13,50 X 32,50 X 3,0 ZN	04	04
11	0503010019	ARRUELA PRESSAO 1/2 ZN 1K01556	06	06
12	0501046992	CIL H 44,45 X 85,7 X1010 X 400 BBD	01	01
13	0501046993	CIL H 44,45 X 85,7 X1010 X 400 BBE	01	01
14	0501052059	BOMBA 40L C/DUTOS PD VTR 800-4	01	01
14A	0503060153	BOMBA 40L 1/2 ENT 1.1/8 30G PARKER	01	01
14B	0503010173	ANEL O RING 2-220 N 3006-9B	02	02
14C	0511062361	DUTO SUCCAO BOMBA PD/PCA VTR 800-4	01	01
14D	0503010180	ARRUELA PRESSAO 7/16 ZN 1K01546	04	04

Item	Código	Descrição	CS CD
14E	0503010355	PARAF 7/16 UNC X 1 C S G.2 ZN	04 04
14F	0501067702	DUTO PRESSAO BOMBA MF275-4MB	01 01
14G	0503010237	PARAF 3/8 UNC X 1 C S G.5 ZN	04 04
15	0503011082	PARAF 1/2 UNC X 1.3/4 CSRT G.5 ZN	02 02
16	0503010060	PORCA 1/2 NC S ZN	02 02
17	0511061456	SUPT BOMBA PCA/PD VTR 800-4	01 01
18	0503013378	PARAF M16 X 2 X 50 C S 10.9 ZN	02 02
19	0503010027	ARRUELA PRESSAO 5/8 ZN 1K01574	02 02
20	0503010728	PARAF M10 X 1,5 X 30 C C S I 12.9	02 02
21	0501040871	COM SIMPL 1/2" COMPL RAC	01
21A	0503060080	COM SIMPL 1/2"	01
21B	0503010045	ANEL O RING 2-116 N 3006-9B 1G05420	02 04
21C	0503010602	ANEL O RING 2-211 N 3006-9B	02 02
21D	0501010590	NIPLE R 7/8 NF SEXT 1 X 48 1G21300	02 04
21E	0501010589	NIPLE R. 1.1/16UN SEXT 1.1/4 X 52	01 01
21F	0501010591	BICO P/MANG 1R1.1/16UN SET.1.1/4X74	01 01
21G	0503030347	FIXD SUP ALAV M8 X 1,25 X 45 COM1/2	01 02
21H	0501010593	PINO 7,93 X 25 1/2 X 28	01
21I	0503010140	CONTRAPINO 1/8 X 3/4	01 02
22	0501040873	COM DUPLO 1/2" COMPL RACINE	01
22A	0503060081	COM DUPLO 1/2"	01
22B	0521010532	EIXO JUNCAO 7,93 X 23 1G138964 ZN	02
23	0501010080	PAR SEXT NC 3/8X1 1/2 G2 ZN 1K04470	03 03
24	0501010984	ARRUELA LISA 10,50 X 27 X 3,00 ZN	03 03
25	0503010026	PORCA 3/8 NC S ZN 1K03048	03 03
26	0501047852	ACIOND COM COMPL PD V 118 SHT	01 02
26A	0501069069	ACIOND COM V 985-4/AX 4.75	01 01
26B	0503030878	MANIPULO ALAVANCA	01 01
27	0501068942	CONEXAO T C/NIPLES 7/8 BX 4.110	02 02
28	0501063383	DUTO SAIDA TANQUE PDV 118/PDF 5600	01 01
29	0501080022	MANG 1/2 X 1100 TR-TR	04 04
30	0501080062	MANG 1/2 X 2000 TR-TC	02 02
31	0501080705	MANG 3/4 X 3000 TR-TC	01 01
32	0501010613	MANG 1 X 650 AB-AB	01 01
33	0501011012	MANG 1.1/4 X 1650 AB-AB	01 01
34	0503010184	ABRAC 1.1/4 A 1.1/2 25A38 LARG. 9MM	02 02
35	0503010243	ABRAC 1.1/2 A 2 38-51 LARG. 9MM 1G	02 02
36	0503010246	ABRAC 2 A 2.1/2 51-64 LARG. 9MM	02 02
37	0501041108	FILTRO RETORNO MAIOR COMPL	01 01
37A	0502050002	CABCT FILTRO RETORNO	01 01
37B	0501010594	PORCA 1 BSP S 1.5/8 ZN	01 01
37C	0501010595	NIPLE 1 NF SEXT.1.1/8 X 37	01 01
37D	0503010183	FILTRO RETORNO TF PS-012H (HIB5802)	01 01
38	0501061617	CHAVE 1 CABO CIL SEXT 1.5/8 GACR	01 01
39	0501068213	CHAVE DUPLA 5/8 X 3/4 CABO CIL PD	01 01
40	0511010153	CHAVE FIXA 2.5/16	01 01
41	0503031031	CHAVETA Q 1/4 X 35	02 02

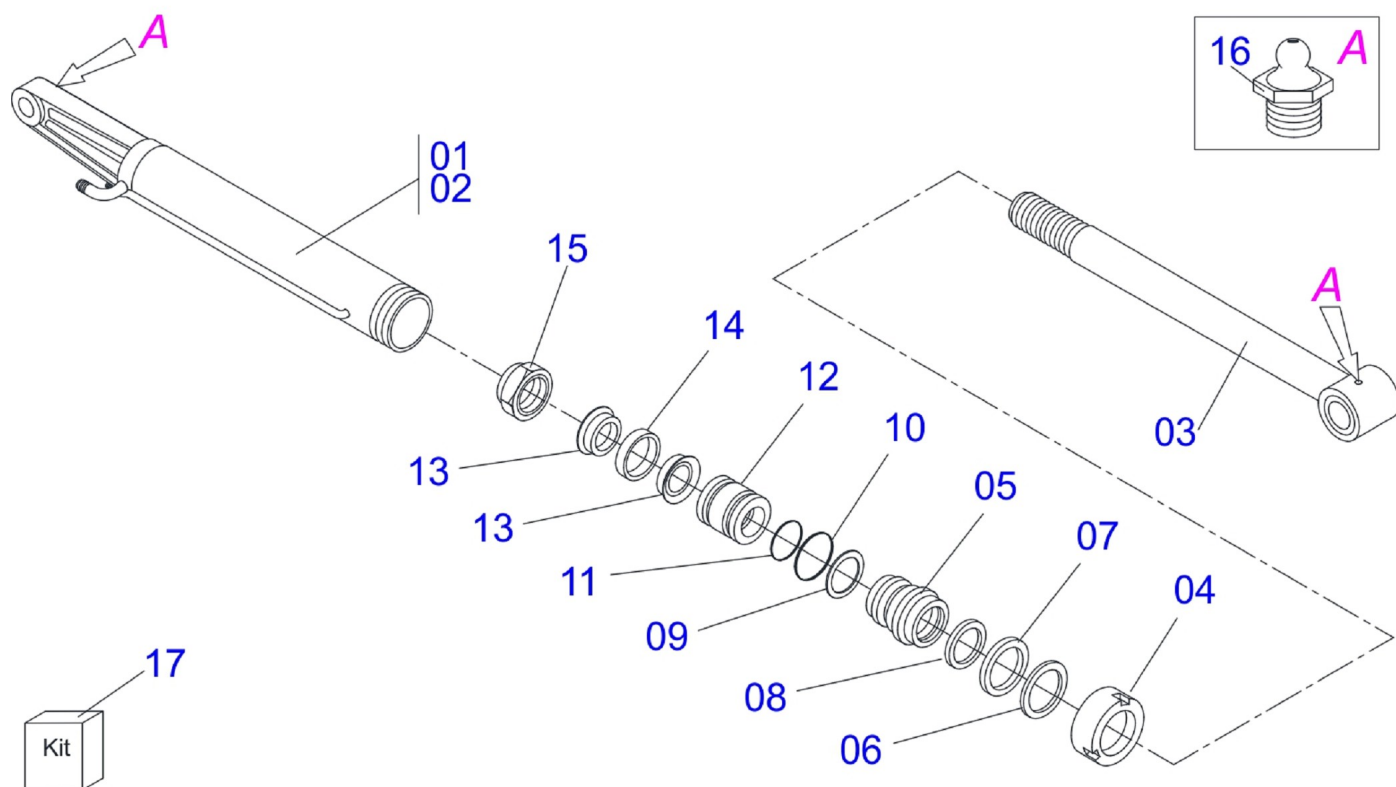


Item	Código	Descrição	
00	0501046992	CIL H 44,45 X 85,7 X1010 X 400 BBD	01
00A	0501046993	CIL H 44,45 X 85,7 X1010 X 400 BBE	01
01	0501068206	CAMISA 85,72 X 855 DIR PD MF 292-4	01
02	0501068207	CAMISA 85,72 X 855 ESQ PD MF 292-4	01
03	0501068208	EXTENSOR 44,45 X 670 PD MF 292-4	01
04	0502010993	TAMPA MOVEI 85,72 SDA3E	01
05	0502010781	SUPT ANEIS 44,45 X 85,72	01
06	0503010761	ANEL RASPD D-1750	01
07	0503010990	GAXETA 1870-1750-375-B	01
08	0503010949	ANEL G.I.1.3/4X3X1/2 W2-2000-500 PK	01
09	0503011060	ANEL BACK-UP 8-336 1G31106	01
10	0503010976	ANEL O RING 2-336 N 3006-9B 1G85119	01
11	0503010042	ANEL O RING 2-214 N 3006-9B 1G05116	01
12	0502010843	EMBOLO 44,45 X 85,7	01
13	0503010170	GAXETA 3120 2750	02
14	0503010948	ANEL G.E.3.3/8X2X1/2 W4-3346-590 PK	01
15	0503010063	PORCA AUTOFREN 1 UNS 14FPP ALTA	01
16	0503010002	GRAXEIRA 1800	02



Item	Código	Descrição	
01	0511060174	CHASSI DIR PD VTR 800-4 BT S-0299	01
02	0511060101	CHASSI ESQ PD VTR 800-4 S-0299	01
03	0501042513	SUPT MOV COMPL PD S-1188 MF 290-4	01
03A	0501063701	SUPT MOVEL F6610-4/MF290-4/8440-4	01
03B	0501062637	SUPT REGD 5/8 PD 2600	01
03C	0521010618	EIXO JUNCAO 37,50 X 220 V 880-4 ZN	01
03D	0521010612	EIXO JUNCAO 37,50 X 100 PAM 900 ZN	01
03E	0503010010	CONTRAPINO 1/4 X 2.1/2	02
04	0501010572	PRISION 1UNC X 1UNS X 76 ZN	04
05	0501010574	ARRUELA LISA 27 X 100 X 6,30 ZN	04
06	0503010340	PORCA 1 UNS 14FPP ZN	04
07	0501047978	GUIA SUP MOV ALTA COMP MF290-4MB TL	01
07A	0501069169	GUIA SUPT MOVEL PD MF 290-4MB	01
07B	0501014214	TELA 700 X 685	01
07C	0503010751	PARAF 3/8 UNC X 1.1/4 C S G.5 ZN	03
07D	0501010984	ARRUELA LISA 10,50 X 27 X 3,00 ZN	03
07E	0503010026	PORCA 3/8 NC S ZN 1K03048	03
08	0501047708	PORTA RASP 2400 S/SAPATA	01
08A	0501067999	PORTA RASPADOR 2390 C/FIX P/VARAO	01
08B	0622360016	RASPADOR REV 2400 PD	01
08C	0501012240	PARAF 5/8 UNC X 2.1/2 CEPQ G.5 ZN	08
08D	0501010301	ARRUELA LISA 16 X 29,50 X 3,00 ZN	08
08E	0503010027	ARRUELA PRESSAO 5/8 ZN 1K01574	34
08F	0503010013	PORCA 5/8 NC ZN 1K03087	14
09	0521013656	SAPATA FIX CHASSI D/E PD V800-4	02
10	0501063411	SAPATA ESTAB	02
11	0501010571	PRISION 3/4 NC X 3/4 NF X 56 ZN	04
12	0501010322	ARRUELA LISA 20,50 X 46 X 4,75 ZN	12
13	0503010335	PORCA 3/4 NF ZN	04
14	0501063958	EIXO ARTIC C/TRAV 37,2X110S/GRAX SA	02
15	0501063959	EIXO ARTIC C/TRAVA 37,2X115 S/GRAX	02
16	0501063751	EIXO ARTIC C/TRAV 37,2X140P/GRAX SA	02
17	0503010962	PARAF 5/8 UNC X 1.1/4 C S G.5 ZN	06

Item	Código	Descrição	
18	0501012140	ARRUELA LISA 16,50 X 40 X 4,75 ZN	20
19	0503010002	GRAXEIRA 1800	02
20	0521013658	MAO FRANC 1515 PD VTR800-4	02
21	0501010100	PARAF 5/8 UNC X 2 C S G.5 ZN	06
22	0501042819	VARAO 1.1/4 NC X 850 COMPL	01
22A	0501018845	VARAO 1.1/4 X 850 CBT 8450-4	01
22B	0501010087	PORCA 1.1/4 UNC 7FPP (SEXT.2) ZN	04
23	0501041856	VARAO 1.1/4 NC X 1430 COMPL	02
23A	0501014855	VARAO 1.1/4 X 1430	01
23B	0502012180	ARRUELA CONICA PD	02
24	0501061617	CHAVE 1 CABO CIL SEXT 1.5/8 GACR	01
25	0501068213	CHAVE DUPLA 5/8 X 3/4 CABO CIL PD	01
26	0501068942	CONEXAO T C/NIPLES 7/8 BX 4.110	02
27	0501080022	MANG 1/2 X 1100 TR-TR	04
28	0501080062	MANG 1/2 X 2000 TR-TC	02
29	0501080076	MANG 1/2 X 2500 TR-TM	02
30	0501053834	MACHO ENG RAP AGR 1/2 NPT C/TAMPA	02
31	0511060103	BATD EIXO DIANT DIR PD VTR 800-4	01
32	0511060104	BATD EIXO DIANT ESQ PD VTR 800-4	01
33	0503013378	PARAF M16 X 2 X 50 C S 10.9 ZN	14
34	0501010500	PARAF 3/4 UNC X 3 C S G.5 ZN	04
35	0503010023	ARRUELA PRESSAO 3/4 ZN 1K01584	04
36	0503010014	PORCA 3/4 NC S ZN	04
37	0501048334	CIL H 44,45 X 85,7 X 1028 X 472 DIR	01
38	0501048335	CIL H 44,45 X 85,7 X 1028 X 472 ESQ	01
39	0108010002	DE 9 S-0178	01
39A	0501060958	DESENRAIZ ENL 9 780 X 2500	01
39B	0501010276	PARAF 1 UNC X 3 C.S. G.5 ZN	04
39C	0501010065	ARRUELA LISA 28 X 58 X 4,75 ZN	04
39D	0503010012	ARRUELA PRESSAO 1 ZN 1K01602	04
39E	0501010059	PORCA 1 NC SEXT 1.5/8 ZN	04



Item	Código	Descrição	
00	0501048334	CIL H 44,45 X 85,7 X 1028 X 472 DIR	01
00A	0501048335	CIL H 44,45 X 85,7 X 1028 X 472 ESQ	01
01	0511061628	CAMISA 85,72 X 925 DIR PD VTR 800-4	01
02	0511061627	CAMISA 85,72 X 925 ESQ PD VTR 800-4	01
03	0511061629	EXTENSOR 44,45 X 689 PD VTR 800-4	01
04	0502010993	TAMPA MOVEL 85,72 SDA3E	01
05	0502010781	SUPT ANEIS 44,45 X 85,72	01
06	0503010761	ANEL RASPD D-1750	01
07	0503010990	GAXETA 1870-1750-375-B	01
08	0503010949	ANEL G.I.1.3/4X3X1/2 W2-2000-500 PK	01
09	0503011060	ANEL BACK-UP 8-336 1G31106	01
10	0503010976	ANEL O RING 2-336 N 3006-9B 1G85119	01
11	0503010042	ANEL O RING 2-214 N 3006-9B 1G05116	01
12	0502010843	EMBOLO 44,45 X 85,7	01
13	0503010170	GAXETA 3120 2750	02
14	0503010948	ANEL G.E.3.3/8X2X1/2 W4-3346-590 PK	01
15	0503010063	PORCA AUTOFREN 1 UNS 14FPP ALTA	01
16	0503010002	GRAXEIRA 1800	02



MARCHESAN IMPLEMENTOS E MÁQUINAS AGRÍCOLAS TATU S.A.

AV. Marchesan, 1979 - Cx. Postal, 131 - CEP 15994-900 - Matão - SP - Brasil

FONE: (16) 3382-8282

(FAX Vendas): +55 16.3382-8297 - (FAX Exportação) + 55 16.3382.1003

e.mail: tatu@marchesan.com.br

Home Page: www.marchesan.com.br

*Elaboração e Ilustração = GASPARI
e.mail = jgaspari@marchesan.com.br*

**PEÇAS ORIGINAIS
TATU**

