

# PARTS CATALOG

## FRONT LOADER

PD VALTRA 800/800-4/900-4 SHT  
S-0299

Code: 0501091425



Series: S-0299

Review: FEVEREIRO/99

ORIGINAL PARTS  
TATU

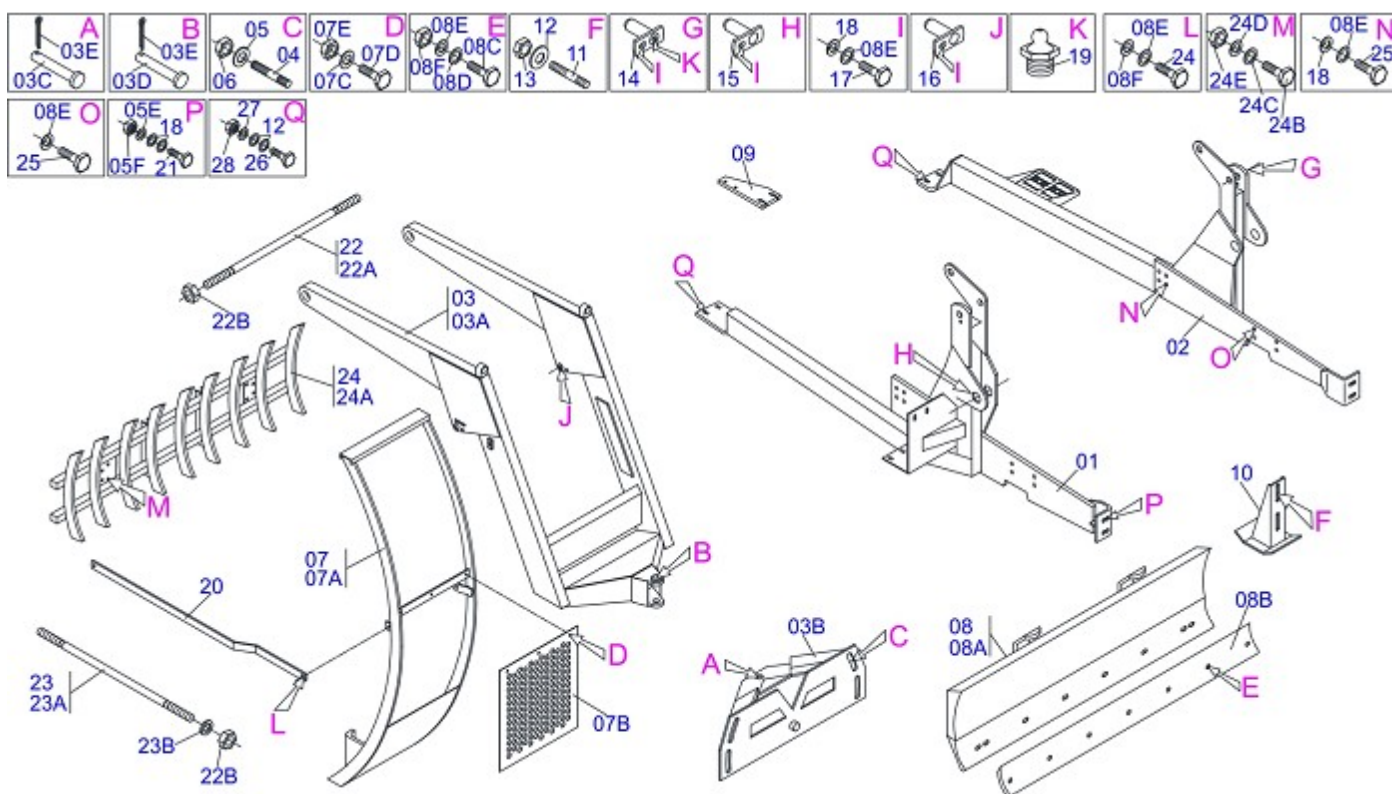


# INDEX

|            |                                  |       |   |
|------------|----------------------------------|-------|---|
| 0909090334 | FRONT LOADER VTR 800/800-4/900-4 | ..... | 1 |
| 0909090335 | HYDR CIRCUIT VTR 800/800-4/900-4 | ..... | 2 |
| 0909091182 | HIDRAULIC CILINDER               | ..... | 3 |
| 0909091184 | BT HYDRAULIC CIRCUIT             | ..... | 4 |
| 0909091185 | HIDRAULIC CILINDER               | ..... | 5 |

**ATTENTION: IMPORTANT**

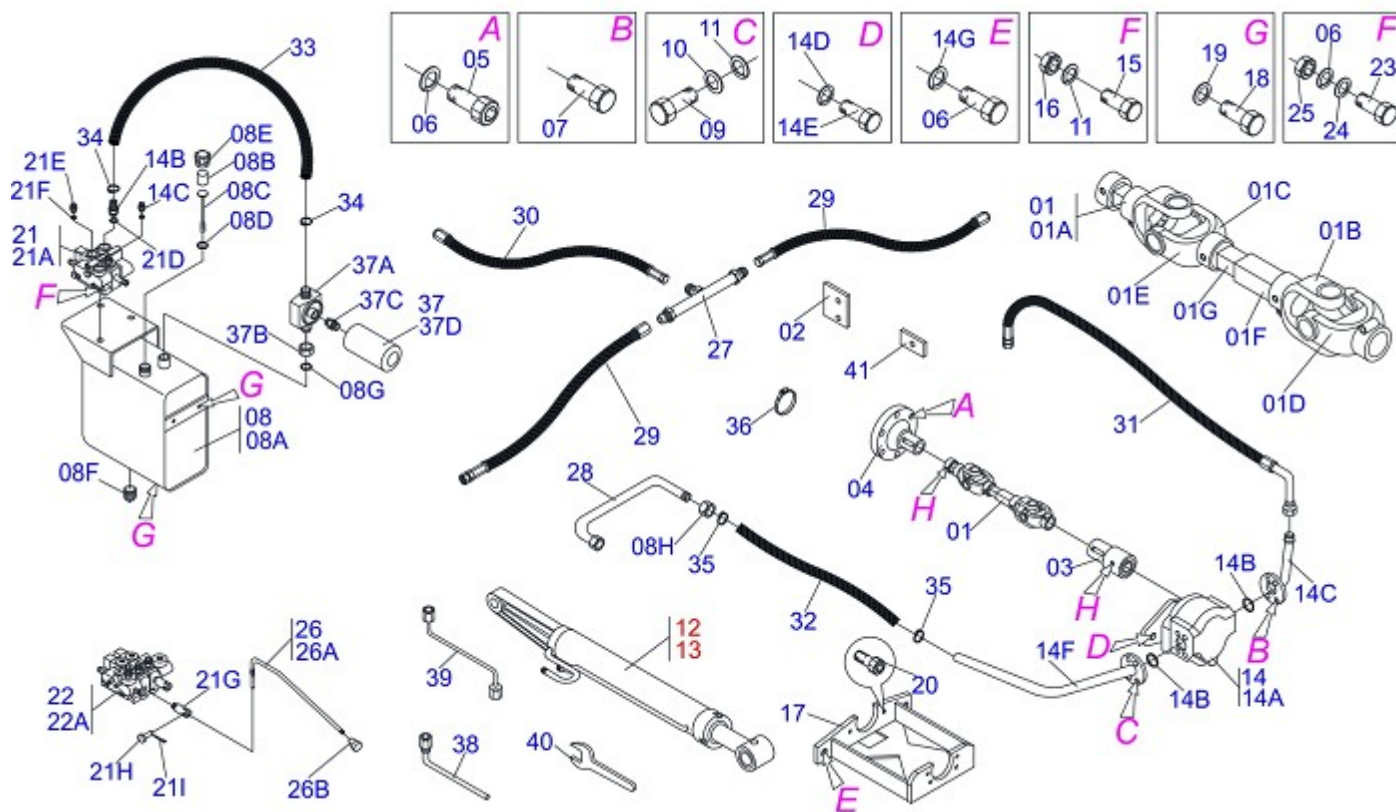
MARCHESAN RESERVES THE RIGHT AT ANY TIME TO MAKE IMPROVEMENTS IN THE DESIGN, MATERIAL OR SPECIFICATIONS OF MACHINERY, EQUIPMENT OR PARTS WITHOUT THEREBY BECOMING LIABLE TO MAKE SIMILAR CHANGES IN MACHINERY, EQUIPMENT OR PARTS PREVIOUSLY SOLD.



| Item | Code       | Description                   |    |
|------|------------|-------------------------------|----|
| 01   | 0511060100 | RIGHT FRAME                   | 01 |
| 02   | 0511060101 | LEFT FRAME                    | 01 |
| 03   | 0501042513 |                               | 01 |
| 03A  | 0501063701 |                               | 01 |
| 03B  | 0501062637 | 5/8" REGULATOR SUPPORT        | 01 |
| 03C  | 0521010618 | 1.4" X 8.6" COUPLING SHAFT    | 01 |
| 03D  | 0521010612 | 1.4" X 3.5" COUPLING SHAFT    | 01 |
| 03E  | 0503010010 | 1/4" X 2.1/2" COTTERPIN       | 02 |
| 04   | 0501010572 | 1 UNC X 1 UNS X 76 PRISONER   | 04 |
| 05   | 0501010574 | FLAT WASHER                   | 04 |
| 06   | 0503010340 | 1" UNF NUT                    | 04 |
| 07   | 0501047978 |                               | 01 |
| 07A  | 0501069169 |                               | 01 |
| 07B  | 0501014214 |                               | 01 |
| 07C  | 0503010751 | 3/8" X 1.1/4" HEX BOLT G.5    | 03 |
| 07D  | 0501010984 | FLAT WASHER                   | 03 |
| 07E  | 0503010026 | 3/8" NUT                      | 03 |
| 08   | 0501047708 | 2400 BLADE SUPPORT            | 01 |
| 08A  | 0501067999 | 2390 BLADE SUPPORT            | 01 |
| 08B  | 0622360016 | 94.5" SCRAPER REVERSIBLE      | 01 |
| 08C  | 0501012240 | 5/8" X 2-1/2" BOLT            | 08 |
| 08D  | 0501010301 | FLAT WASHER                   | 08 |
| 08E  | 0503010027 | 5/8" SPRING WASHER            | 34 |
| 08F  | 0503010013 | 5/8" NUT                      | 14 |
| 09   | 0521013656 | FRAME BRACKET                 | 02 |
| 10   | 0501063411 | ESTABILIZER BRACKET           | 02 |
| 11   | 0501010571 | 3/4 NC X 3/4 NF X 56 PRISONER | 04 |
| 12   | 0501010322 | FLAT WASHER                   | 12 |
| 13   | 0503010335 | 3/4" NUT                      | 04 |
| 14   | 0501063958 | 1.5" X 4.3" PIVOT SHAFT LOCK  | 02 |
| 15   | 0501063959 | PIVOT SHAFT                   | 02 |
| 16   | 0501063751 | 1.5" X 5.5" PIVOT SHAFT       | 02 |
| 17   | 0503010962 | 5/8" X 1-1/4" BOLT            | 06 |



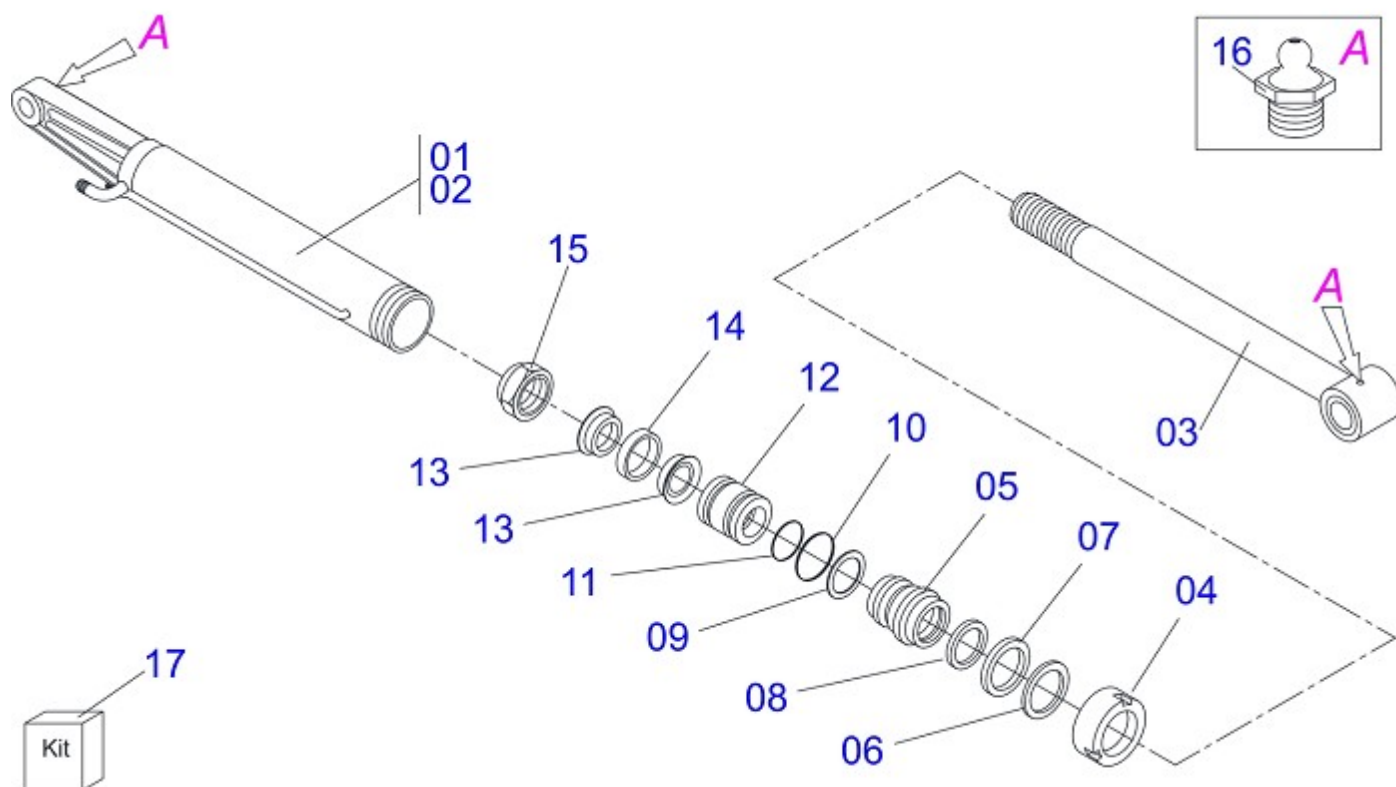
| Item | Code       | Description           |    |
|------|------------|-----------------------|----|
| 18   | 0501012140 | FLAT WASHER           | 20 |
| 19   | 0503010002 | GREASE FITTING        | 02 |
| 20   | 0521013658 |                       | 02 |
| 21   | 0501010100 | 5/8" X 2" BOLT        | 06 |
| 22   | 0501042819 | 1.1/4"NC X 33.46" ROD | 01 |
| 22A  | 0501018845 | 1.1/4" X 33.46" ROD   | 01 |
| 22B  | 0501010087 | 1.1/4" UNC NUT        | 04 |
| 23   | 0501041856 | 1.1/4" NC X 1430 ROD  | 02 |
| 23A  | 0501014855 | 1.1/4" X 1430 ROD     | 01 |
| 23B  | 0502012180 | CONICAL SPRING WASHER | 02 |
| 24   | 0108010002 | 9 TEETH ROOTH RAKER   | 01 |
| 24A  | 0501060958 | 9 TEETH ROOTH RAKER   | 01 |
| 24B  | 0501010276 | 1" X 3" BOLT          | 04 |
| 24C  | 0501010065 | FLAT WASHER           | 04 |
| 24D  | 0503010012 | 1" SPRING WASHER      | 04 |
| 24E  | 0501010059 | 1" NUT HEX            | 04 |
| 25   | 0503013378 |                       | 14 |
| 26   | 0501010500 | 3/4" X 3" BOLT        | 04 |
| 27   | 0503010023 | 3/4" SPRING WASHER    | 04 |
| 28   | 0503010014 | 3/4" NUT              | 04 |



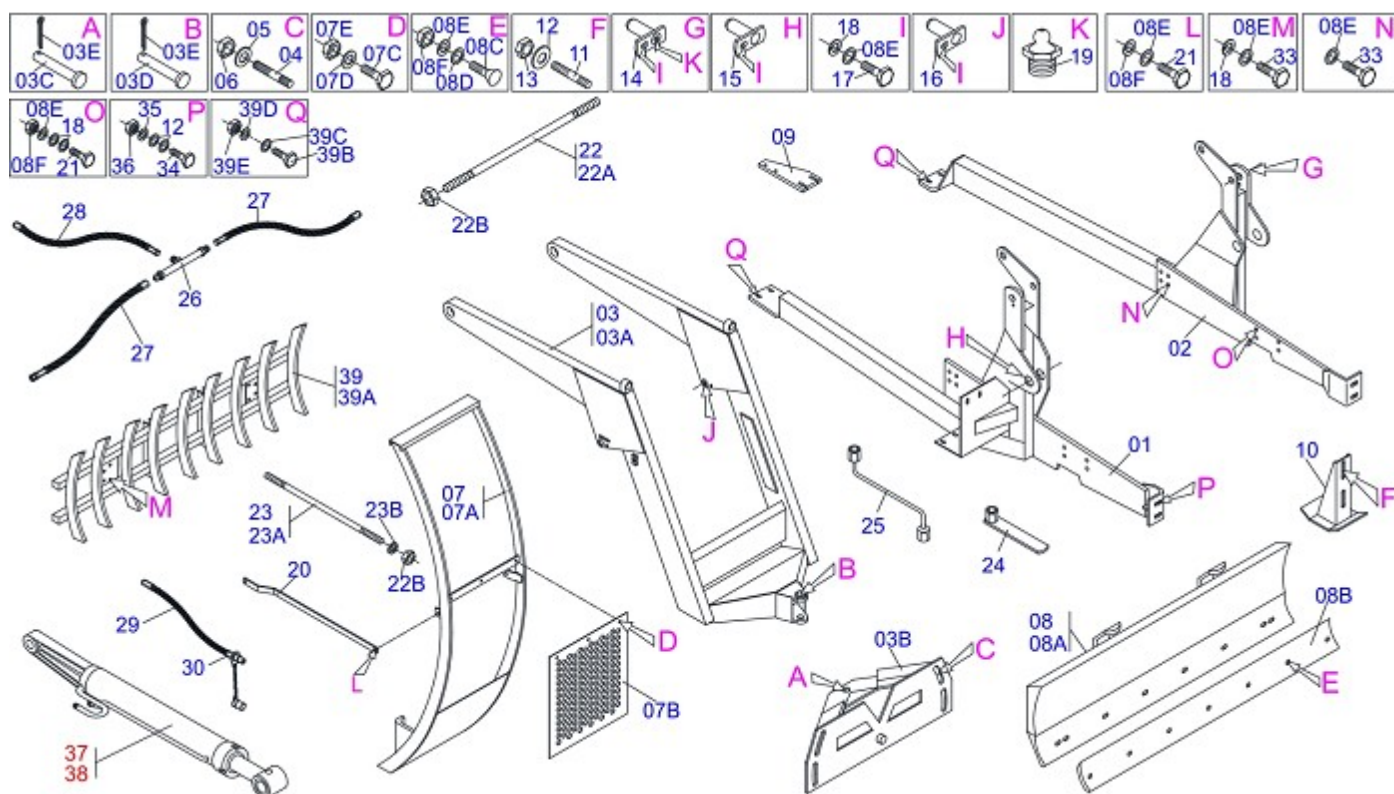
| Item | Code       | Description              | CS | CD |
|------|------------|--------------------------|----|----|
| 01   | 0501049304 | DRIVE SHAFT              | 01 | 01 |
| 01A  | 0502010886 | 10-20 TERMINAL           | 02 | 02 |
| 01B  | 0502010559 | 2-20 TERMINAL            | 01 | 01 |
| 01C  | 0502010562 | 3-20 TERMINAL            | 01 | 01 |
| 01D  | 0503010835 | CARDAN CROSSPIECE        | 02 | 02 |
| 01E  | 0503010839 | 03" X 0.6" ELASTIC PIN   | 02 | 02 |
| 01F  | 0541013460 |                          | 01 | 01 |
| 01G  | 0521016648 | 0.8" X 6.3" SQUARE SHAFT | 01 | 01 |
| 02   | 0521013659 | CHOCK BEARING            | 02 | 02 |
| 03   | 0511062516 | 3.1" X 1-1/8" AXLE       | 01 | 01 |
| 04   | 0521016647 | COUPLING FLANGE          | 01 | 01 |
| 05   | 0503011313 | M8 X 2" BOLT             | 06 | 06 |
| 06   | 0503010025 | 3/8" SPRING WHASHER      | 13 | 13 |
| 07   | 0503011148 | 3/8" X 1/2" BOLT         | 02 | 02 |
| 08   | 0501047808 | RESERVOIR OIL ASSY       | 01 | 01 |
| 08A  | 0501068882 | RESERVOIR OIL            | 01 | 01 |
| 08B  | 0503030044 | FILTERING ELEMENT        | 01 | 01 |
| 08C  | 0501060975 | OIL GAGE                 | 01 | 01 |
| 08D  | 0503010185 | 2-221 N 3006-9B O-RING   | 01 | 01 |
| 08E  | 0502020472 | TANK COVER BODY          | 01 | 01 |
| 08F  | 0503031604 | 1/2" BSP PLUG            | 01 | 01 |
| 08G  | 0503010046 | 2-216 N 3006-9B O-RING   | 01 | 01 |
| 08H  | 0501016309 | 2" 1X 2.5/16" NUT        | 01 | 01 |
| 09   | 0501010161 | 1/2" X 1-1/4" BOLT       | 04 | 04 |
| 10   | 0511017302 | FLAT WASHER              | 04 | 04 |
| 11   | 0503010019 | 1/2" SPRING WASHER       | 06 | 06 |
| 12   | 0501046992 | HYDRAULIC CYLINDER       | 01 | 01 |
| 13   | 0501046993 | HYDRAULIC CYLINDER       | 01 | 01 |
| 14   | 0501052059 | 40L PUMP WITH TUBE       | 01 | 01 |
| 14A  | 0503060153 | 40L 1/2" PUMP            | 01 | 01 |
| 14B  | 0503010173 | 2-220 N 3006-9B O-RING   | 02 | 02 |
| 14C  | 0511062361 | PUMP SUCTION TUBE        | 01 | 01 |
| 14D  | 0503010180 | 7/16" SPRING WASHER      | 04 | 04 |



| Item | Code       | Description                      | CS CD |
|------|------------|----------------------------------|-------|
| 14E  | 0503010355 | 7/16" X 1" BOLT                  | 04 04 |
| 14F  | 0501067702 | PUMP PRESSURE TUBE               | 01 01 |
| 14G  | 0503010237 | 3/8" X 1" HEX BOLT G5            | 04 04 |
| 15   | 0503011082 | 1/2" X 1.3/4" BOLT               | 02 02 |
| 16   | 0503010060 | 1/2" NUT                         | 02 02 |
| 17   | 0511061456 | PUMP SUPPORT                     | 01 01 |
| 18   | 0503013378 |                                  | 02 02 |
| 19   | 0503010027 | 5/8" SPRING WASHER               | 02 02 |
| 20   | 0503010728 | M10 X 1.2" BOLT                  | 02 02 |
| 21   | 0501040871 | 1/2" COMMAND SIMPLE ASSY         | 01    |
| 21A  | 0503060080 | 1/2" COMMAND SIMPLE              | 01    |
| 21B  | 0503010045 | 2-116 N 3006-9B O'RING           | 02 04 |
| 21C  | 0503010602 | 2-211 N 3006-9B O'RING           | 02 02 |
| 21D  | 0501010590 | 7/8" REDUCTION NIPPLE            | 02 04 |
| 21E  | 0501010589 | 1-1/16 NIPPLE                    | 01 01 |
| 21F  | 0501010591 | HOSE NIPPLE                      | 01 01 |
| 21G  | 0503030347 | UPPER LEVER ASSY (SAUER DANFOSS) | 01 02 |
| 21H  | 0501010593 | 0.3" X 1" X 1/2" X 1.1 PIN       | 01    |
| 21I  | 0503010140 | 1/8" X 3/4" COTTERPIN            | 01 02 |
| 22   | 0501040873 | 1/2" DOUBLE COMMAND              | 01    |
| 22A  | 0503060081 | 1/2" DOUBLE COMMAND              | 01    |
| 22B  | 0521010532 | 0.3" X 0.9" COUPLING SHAFT       | 02    |
| 23   | 0501010080 | 3/8" X 1-1/2" BOLT               | 03 03 |
| 24   | 0501010984 | FLAT WASHER                      | 03 03 |
| 25   | 0503010026 | 3/8" NUT                         | 03 03 |
| 26   | 0501047852 | CONTROL VALVE (PD V 118 SHT)     | 01 02 |
| 26A  | 0501069069 | CONTROL VALVE (V 985-4/AX 4.75)  | 01 01 |
| 26B  | 0503030878 | LEVER CRANK                      | 01 01 |
| 27   | 0501068942 | "T" CONNECTION NIPPLES           | 02 02 |
| 28   | 0501063383 | TANK OUTER TUBE                  | 01 01 |
| 29   | 0501080022 | 1/2" X 43" TR-TR HOSE ASSY       | 04 04 |
| 30   | 0501080062 |                                  | 02 02 |
| 31   | 0501080705 | 3/4" X 118" TR-TC HOSE           | 01 01 |
| 32   | 0501010613 |                                  | 01 01 |
| 33   | 0501011012 | 1-1/4" X 65" AB-AB HOSE          | 01 01 |
| 34   | 0503010184 | 1-1/4" TO 1-1/2" CLAMP           | 02 02 |
| 35   | 0503010243 | 1-1/2" TO 2" CLAMP               | 02 02 |
| 36   | 0503010246 | 2" TO 2 1/2" CLAMP               | 02 02 |
| 37   | 0501041108 | RETURNING FILTER ASSY            | 01 01 |
| 37A  | 0502050002 | RETURNING FILTER HEAD            | 01 01 |
| 37B  | 0501010594 | 1" NUT HEX                       | 01 01 |
| 37C  | 0501010595 | 1" NF NIPPLE                     | 01 01 |
| 37D  | 0503010183 | RETURNING FILTER                 | 01 01 |
| 38   | 0501061617 | 1" WRENCH CYLINDRICAL HEX        | 01 01 |
| 39   | 0501068213 | 5/8" WRENCH DOUBLE               | 01 01 |
| 40   | 0511010153 | 2-5/16" FIXED WRENCH             | 01 01 |
| 41   | 0503031031 | 1/4" KEYWAY SQUARE               | 02 02 |



| Item | Code       | Description                     |    |
|------|------------|---------------------------------|----|
| 00   | 0501046992 | HYDRAULIC CYLINDER              | 01 |
| 00A  | 0501046993 | HYDRAULIC CYLINDER              | 01 |
| 01   | 0501068206 | RIGHT 85,72 X 855 CYLINDER CASE | 01 |
| 02   | 0501068207 | LEFT 85,72 X 855 CYLINDER CASE  | 01 |
| 03   | 0501068208 | 44,45 X 670 TURNBUCKLE          | 01 |
| 04   | 0502010993 | DETACHABLE COVER                | 01 |
| 05   | 0502010781 | RING SUPPORT                    | 01 |
| 06   | 0503010761 | D-1750 SCRAPER RING             | 01 |
| 07   | 0503010990 | GASKET                          | 01 |
| 08   | 0503010949 | W2-2000-500 PK RING G.E         | 01 |
| 09   | 0503011060 | 8-336 BACK-UP RING              | 01 |
| 10   | 0503010976 | 2-336 N 3006-9B O'RING          | 01 |
| 11   | 0503010042 | 2-214 N 3006-9B O'RING          | 01 |
| 12   | 0502010843 | 1.8" X 3.4" PISTON              | 01 |
| 13   | 0503010170 | PACKING 3120 2750               | 02 |
| 14   | 0503010948 | W4-3346-590 PK RING G.E         | 01 |
| 15   | 0503010063 | 1" SELF-ALIGNING NUT            | 01 |
| 16   | 0503010002 | GREASE FITTING                  | 02 |



| Item | Code       | Description                   |    |
|------|------------|-------------------------------|----|
| 01   | 0511060174 | RIGHT FRAME                   | 01 |
| 02   | 0511060101 | LEFT FRAME                    | 01 |
| 03   | 0501042513 |                               | 01 |
| 03A  | 0501063701 |                               | 01 |
| 03B  | 0501062637 | 5/8" REGULATOR SUPPORT        | 01 |
| 03C  | 0521010618 | 1.4" X 8.6" COUPLING SHAFT    | 01 |
| 03D  | 0521010612 | 1.4" X 3.5" COUPLING SHAFT    | 01 |
| 03E  | 0503010010 | 1/4" X 2.1/2" COTTERPIN       | 02 |
| 04   | 0501010572 | 1 UNC X 1 UNS X 76 PRISONER   | 04 |
| 05   | 0501010574 | FLAT WASHER                   | 04 |
| 06   | 0503010340 | 1" UNF NUT                    | 04 |
| 07   | 0501047978 |                               | 01 |
| 07A  | 0501069169 |                               | 01 |
| 07B  | 0501014214 |                               | 01 |
| 07C  | 0503010751 | 3/8" X 1.1/4" HEX BOLT G.5    | 03 |
| 07D  | 0501010984 | FLAT WASHER                   | 03 |
| 07E  | 0503010026 | 3/8" NUT                      | 03 |
| 08   | 0501047708 | 2400 BLADE SUPPORT            | 01 |
| 08A  | 0501067999 | 2390 BLADE SUPPORT            | 01 |
| 08B  | 0622360016 | 94.5" SCRAPER REVERSIBLE      | 01 |
| 08C  | 0501012240 | 5/8" X 2-1/2" BOLT            | 08 |
| 08D  | 0501010301 | FLAT WASHER                   | 08 |
| 08E  | 0503010027 | 5/8" SPRING WASHER            | 34 |
| 08F  | 0503010013 | 5/8" NUT                      | 14 |
| 09   | 0521013656 | FRAME BRACKET                 | 02 |
| 10   | 0501063411 | ESTABILIZER BRACKET           | 02 |
| 11   | 0501010571 | 3/4 NC X 3/4 NF X 56 PRISONER | 04 |
| 12   | 0501010322 | FLAT WASHER                   | 12 |
| 13   | 0503010335 | 3/4" NUT                      | 04 |
| 14   | 0501063958 | 1.5" X 4.3" PIVOT SHAFT LOCK  | 02 |
| 15   | 0501063959 | PIVOT SHAFT                   | 02 |
| 16   | 0501063751 | 1.5" X 5.5" PIVOT SHAFT       | 02 |
| 17   | 0503010962 | 5/8" X 1-1/4" BOLT            | 06 |

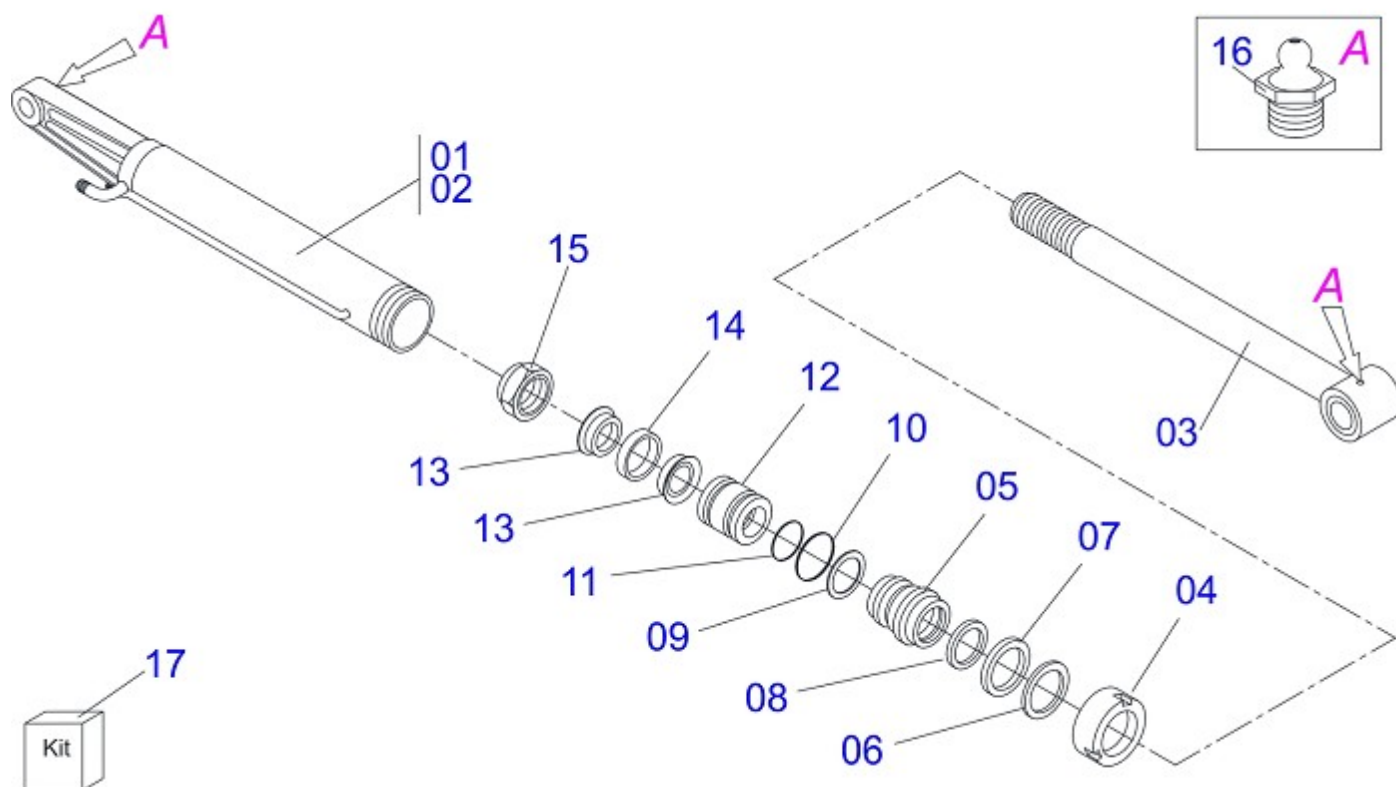




## BT HYDRAULIC CIRCUIT

0909091184

| Item | Code       | Description                   |    |
|------|------------|-------------------------------|----|
| 18   | 0501012140 | FLAT WASHER                   | 20 |
| 19   | 0503010002 | GREASE FITTING                | 02 |
| 20   | 0521013658 |                               | 02 |
| 21   | 0501010100 | 5/8" X 2" BOLT                | 06 |
| 22   | 0501042819 | 1.1/4"NC X 33.46" ROD         | 01 |
| 22A  | 0501018845 | 1.1/4" X 33.46" ROD           | 01 |
| 22B  | 0501010087 | 1.1/4" UNC NUT                | 04 |
| 23   | 0501041856 | 1.1/4" NC X 1430 ROD          | 02 |
| 23A  | 0501014855 | 1.1/4" X 1430 ROD             | 01 |
| 23B  | 0502012180 | CONICAL SPRING WASHER         | 02 |
| 24   | 0501061617 | 1" WRENCH CYLINDRICAL HEX     | 01 |
| 25   | 0501068213 | 5/8" WRENCH DOUBLE            | 01 |
| 26   | 0501068942 | "T" CONNECTION NIPPLES        | 02 |
| 27   | 0501080022 | 1/2" X 43" TR-TR HOSE ASSY    | 04 |
| 28   | 0501080062 |                               | 02 |
| 29   | 0501080076 | 1/2" X 2500 TR-TM HOSE ASSY   | 02 |
| 30   | 0501053834 | QUICK CONECTION (MALE) 1/2NPT | 02 |
| 31   | 0511060103 | FRONT AXLE BEATER             | 01 |
| 32   | 0511060104 | FRONT AXLE BEATER             | 01 |
| 33   | 0503013378 |                               | 14 |
| 34   | 0501010500 | 3/4" X 3" BOLT                | 04 |
| 35   | 0503010023 | 3/4" SPRING WASHER            | 04 |
| 36   | 0503010014 | 3/4" NUT                      | 04 |
| 37   | 0501048334 | HYDRAULIC CYLINDER            | 01 |
| 38   | 0501048335 | HYDRAULIC CYLINDER            | 01 |
| 39   | 0108010002 | 9 TEETH ROOTH RAKER           | 01 |
| 39A  | 0501060958 | 9 TEETH ROOTH RAKER           | 01 |
| 39B  | 0501010276 | 1" X 3" BOLT                  | 04 |
| 39C  | 0501010065 | FLAT WASHER                   | 04 |
| 39D  | 0503010012 | 1" SPRING WASHER              | 04 |
| 39E  | 0501010059 | 1" NUT HEX                    | 04 |



| Item | Code       | Description                     |    |
|------|------------|---------------------------------|----|
| 00   | 0501048334 | HYDRAULIC CYLINDER              | 01 |
| 00A  | 0501048335 | HYDRAULIC CYLINDER              | 01 |
| 01   | 0511061628 | RIGHT 85,72 X 925 CYLINDER CASE | 01 |
| 02   | 0511061627 | LEFT 85,72 X 925 CYLINDER CASE  | 01 |
| 03   | 0511061629 | 44,45 X 689 TURNBUCKLE          | 01 |
| 04   | 0502010993 | DETACHABLE COVER                | 01 |
| 05   | 0502010781 | RING SUPPORT                    | 01 |
| 06   | 0503010761 | D-1750 SCRAPER RING             | 01 |
| 07   | 0503010990 | GASKET                          | 01 |
| 08   | 0503010949 | W2-2000-500 PK RING G.E         | 01 |
| 09   | 0503011060 | 8-336 BACK-UP RING              | 01 |
| 10   | 0503010976 | 2-336 N 3006-9B O'RING          | 01 |
| 11   | 0503010042 | 2-214 N 3006-9B O'RING          | 01 |
| 12   | 0502010843 | 1.8" X 3.4" PISTON              | 01 |
| 13   | 0503010170 | PACKING 3120 2750               | 02 |
| 14   | 0503010948 | W4-3346-590 PK RING G.E         | 01 |
| 15   | 0503010063 | 1" SELF-ALIGNING NUT            | 01 |
| 16   | 0503010002 | GREASE FITTING                  | 02 |





**MARCHESAN**

**MARCHESAN IMPLEMENTOS E MÁQUINAS AGRÍCOLAS TATU S.A.**

AV. Marchesan, 1979 - Post office box, 131 - CEP 15994-900 - Matão - SP - Brazil

Phone +55 16.3382-8282

(FAX Parts) + 55 16.3382. 8297 - (Export) + 55 16.3382.1003

e.mail: [tatu@marchesan.com.br](mailto:tatu@marchesan.com.br)    [www.marchesan.com.br](http://www.marchesan.com.br)

*Drafting and Illustration = GASPARI  
e.mail = [jgaspari@marchesan.com.br](mailto:jgaspari@marchesan.com.br)*

**ORIGINAL PARTS  
TATU**



**MARCHESAN**

# ***PARTS CATALOG***



**ORIGINAL PARTS  
TATU**

