

PARTS CATALOG

FRONT LOADER

PD VALTRA 700-4 SHT CS S-0702

Code: 0501091424



Series: S-0702

Review: JULHO/02

ORIGINAL PARTS
TATU

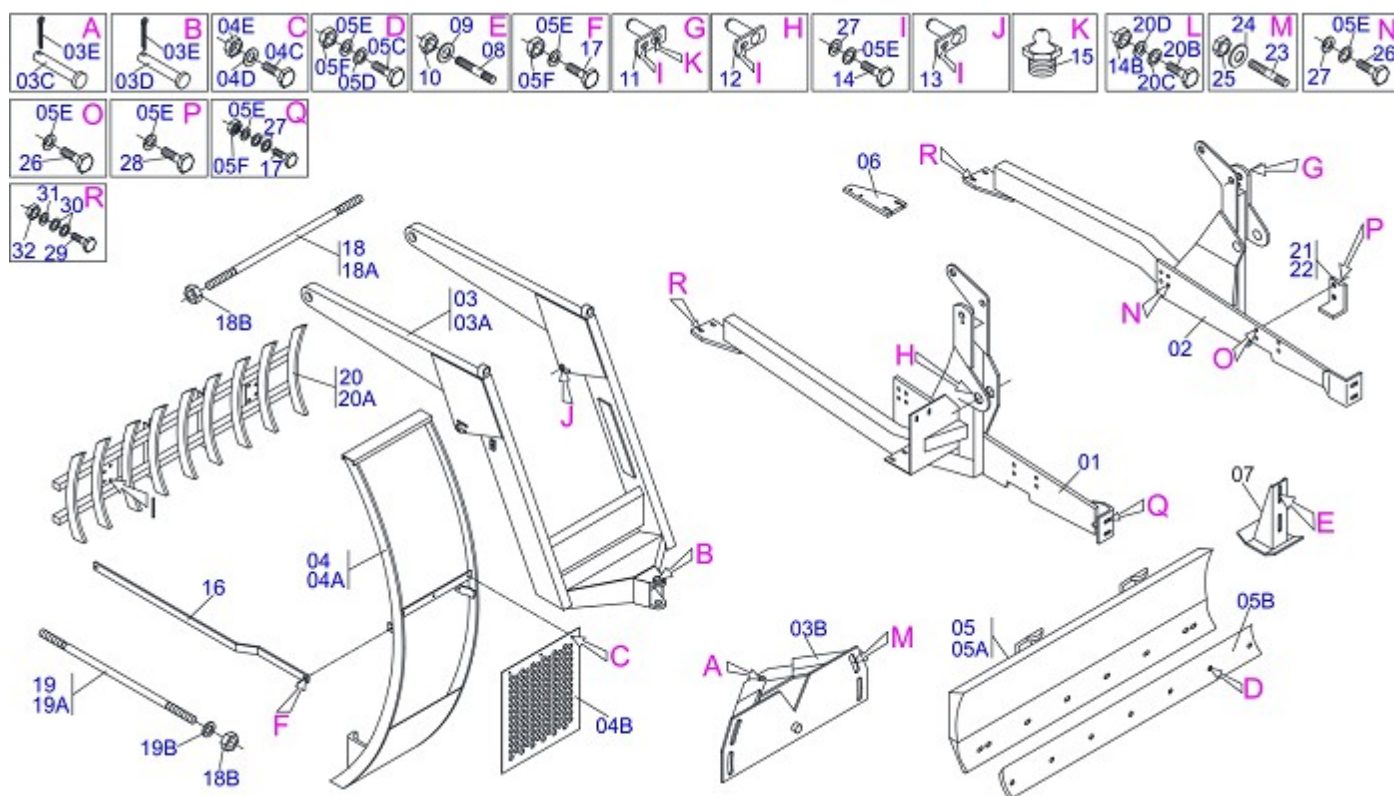


INDEX

0909090332	FRONT LOADER VTR 700-4	1
0909090333	HYDRAULIC CIRCUIT VTR 700-4	2
0909090269	HYDRAULIC CYLINDER	3

ATTENTION: IMPORTANT

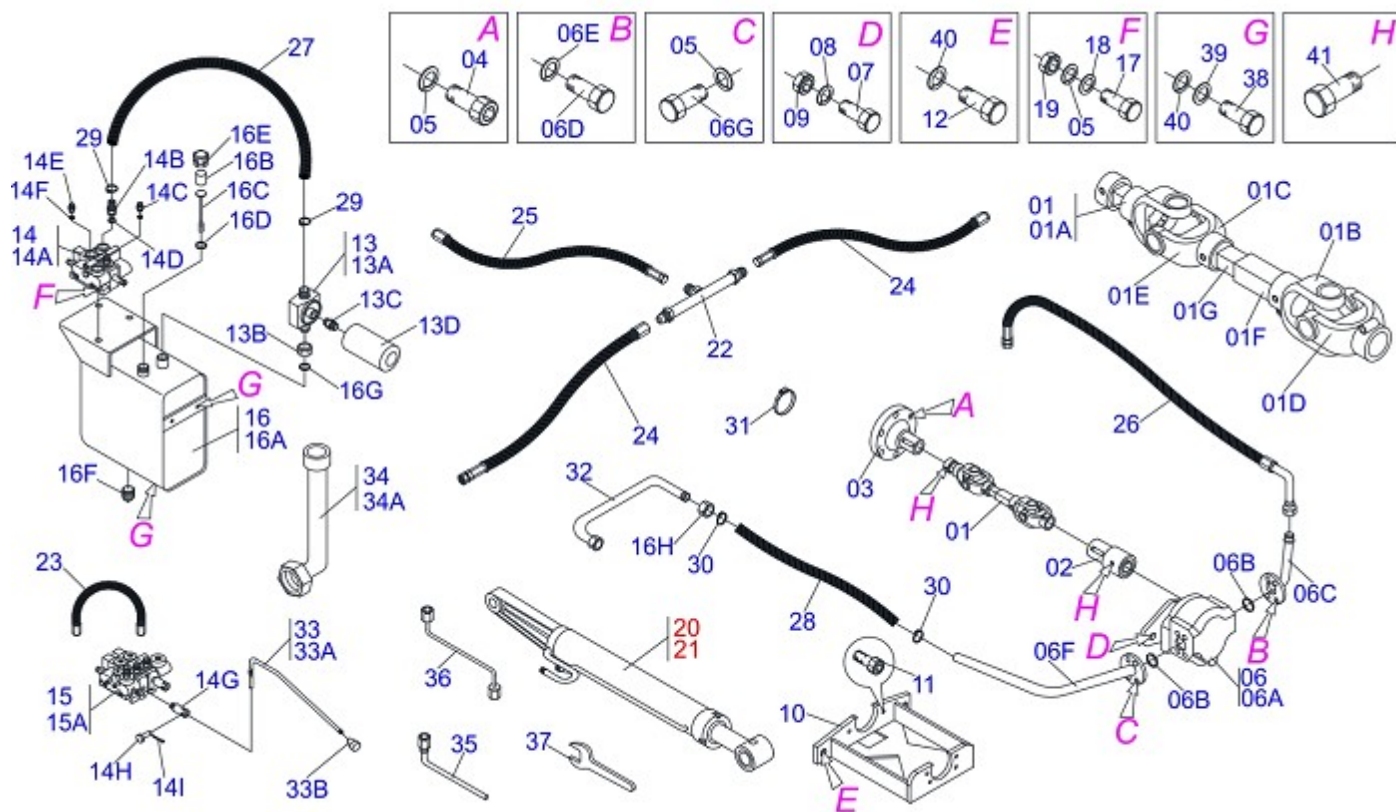
MARCHESAN RESERVES THE RIGHT AT ANY TIME TO MAKE IMPROVEMENTS IN THE DESIGN, MATERIAL OR SPECIFICATIONS OF MACHINERY, EQUIPMENT OR PARTS WITHOUT THEREBY BECOMING LIABLE TO MAKE SIMILAR CHANGES IN MACHINERY, EQUIPMENT OR PARTS PREVIOUSLY SOLD.



Item	Code	Description	
01	0511064138	RIGHT FRAME	01
02	0511064140	LEFT FRAME	01
03	0501047979		01
03A	0501069170		01
03B	0501062637	5/8" REGULATOR SUPPORT	01
03C	0521010618	1.4" X 8.6" COUPLING SHAFT	01
03D	0501010612	CONTROL VALVE LEVER	01
03E	0503010010	1/4" X 2.1/2" COTTERPIN	02
04	0501047978		01
04A	0501069169		01
04B	0501014214		01
04C	0503010751	3/8" X 1.1/4" HEX BOLT G.5	03
04D	0501010984	FLAT WASHER	03
04E	0503010026	3/8" NUT	03
05	0501047708	2400 BLADE SUPPORT	01
05A	0501067999	2390 BLADE SUPPORT	01
05B	0622360016	94.5" SCRAPER REVERSIBLE	01
05C	0501012240	5/8" X 2-1/2" BOLT	08
05D	0501010301	FLAT WASHER	08
05E	0503010027	5/8" SPRING WASHER	34
05F	0503010013	5/8" NUT	14
06	0521013656	FRAME BRACKET	02
07	0501063411	ESTABILIZER BRACKET	02
08	0501010571	3/4 NC X 3/4 NF X 56 PRISONER	04
09	0501010322	FLAT WASHER	04
10	0503010335	3/4" NUT	04
11	0501063958	1.5" X 4.3" PIVOT SHAFT LOCK	02
12	0501063959	PIVOT SHAFT	02
13	0501063751	1.5" X 5.5" PIVOT SHAFT	02
14	0503010962	5/8" X 1-1/4" BOLT	06
15	0503010002	GREASE FITTING	02
16	0511016419		02
17	0501010100	5/8" X 2" BOLT	06



Item	Code	Description	
18	0501042819	1.1/4"NC X 33.46" ROD	01
18A	0501018845	1.1/4" X 33.46" ROD	01
18B	0501010087	1.1/4" UNC NUT	04
19	0501041427	1.1/4" NC X 1540 ROD	02
19A	0501014250	1.1/4" X 1540 ROD	01
19B	0502012180	CONICAL SPRING WASHER	02
20	0108010002	9 TEETH ROOTH RAKER	01
20A	0501060958	9 TEETH ROOTH RAKER	01
20B	0501010276	1" X 3" BOLT	04
20C	0501010065	FLAT WASHER	04
20D	0503010012	1" SPRING WASHER	04
21	0541011009	RIGHT BEATER	01
22	0541011010	LEFT BEATER	01
23	0501010572	1 UNC X 1 UNS X 76 PRISONER	04
24	0501010574	FLAT WASHER	04
25	0503010340	1" UNF NUT	04
26	0503013378		10
27	0501012140	FLAT WASHER	20
28	0503011730	M16 X 2 X 60 BOLT	04
29	0501010322	FLAT WASHER	04
30	0501010500	3/4" X 3" BOLT	08
31	0503010023	3/4" SPRING WASHER	04
32	0503010014	3/4" NUT	04



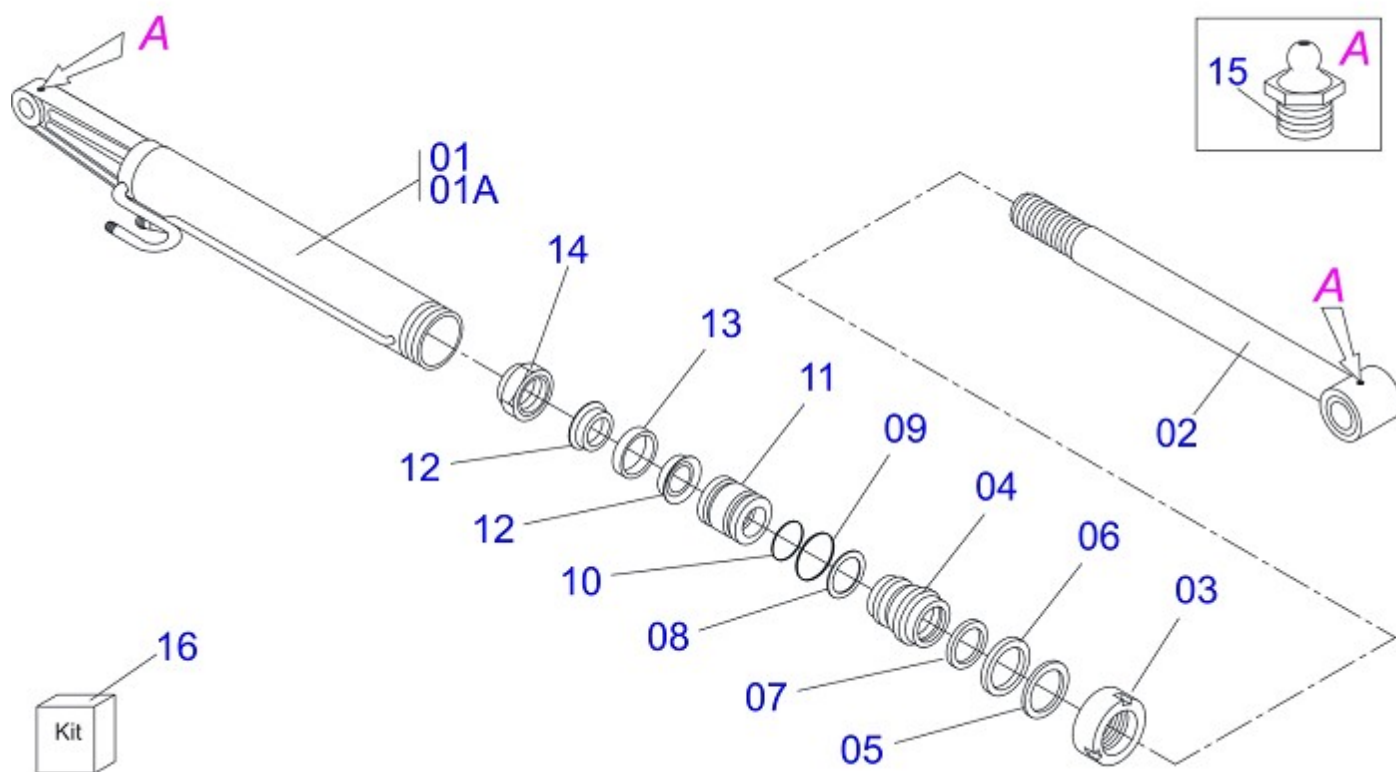
Item	Code	Description	cs	cd
01	0501049304	DRIVE SHAFT	01	01
01A	0502010886	10-20 TERMINAL	02	02
01B	0502010559	2-20 TERMINAL	01	01
01C	0502010562	3-20 TERMINAL	01	01
01D	0503010835	CARDAN CROSSPIECE	01	01
01E	0503010839	03" X 0.6" ELASTIC PIN	01	01
01F	0541013460		01	01
01G	0521016648	0.8" X 6.3" SQUARE SHAFT	01	01
02	0511062516	3.1" X 1-1/8" AXLE	01	01
03	0521016647	COUPLING FLANGE	01	01
04	0503011313	M8 X 2" BOLT	06	06
05	0503010025	3/8" SPRING WHASHER	09	09
06	0501052059	40L PUMP WITH TUBE	01	01
06A	0503060153	40L 1/2" PUMP	01	01
06B	0503010173	2-220 N 3006-9B O'RING	06	06
06C	0511062361	PUMP SUCTION TUBE	01	01
06D	0503010180	7/16" SPRING WASHER	04	04
06E	0503010355	7/16" X 1" BOLT	04	04
06F	0501067702	PUMP PRESSURE TUBE	01	01
06G	0503010237	3/8" X 1" HEX BOLT G5	04	04
06H	0503010025	3/8" SPRING WHASHER	04	04
07	0511061456	PUMP SUPPORT	01	01
08	0501041108	RETURNING FILTER ASSY	01	01
08A	0502050002	RETURNING FILTER HEAD	01	01
08B	0501010594	1" NUT HEX	01	01
08C	0501010595	1" NF NIPPLE	01	01
08D	0503010183	RETURNING FILTER	01	01
09	0501040871	1/2" COMMAND SIMPLE ASSY	01	
09A	0503060080	1/2" COMMAND SIMPLE	01	
09B	0501010591	HOSE NIPPLE	01	01
09C	0501010589	1-1/16 NIPPLE	01	01
09D	0503010602	2-211 N 3006-9B O'RING	02	02
09E	0501010590	7/8" REDUCTION NIPPLE	02	04



HYDRAULIC CIRCUIT VTR 700-4

0909090333

Item	Code	Description	cs cd
09F	0503010045	2-116 N 3006-9B O'RING	02 04
09G	0503030347	UPPER LEVER ASSY (SAUER DANFOSS)	01 02
09H	0501010591	HOSE NIPPLE	01 02
09I	0503010140	1/8" X 3/4" COTTERPIN	01 02
10	0501040873	1/2" DOUBLE COMMAND	01
10A	0503060081	1/2" DOUBLE COMMAND	01
11	0501047808	RESERVOIR OIL ASSY	01 01
11A	0501068882	RESERVOIR OIL	01 01
11B	0503030044	FILTERING ELEMENT	01 01
11C	0501060975	OIL GAGE	01 01
11D	0503010185	2-221 N 3006-9B O'RING	01 01
11E	0502020472	TANK COVER BODY	01 01
11F	0503031604	1/2" BSP PLUG	01 01
11G	0503010046	2-216 N 3006-9B O'RING	01 01
11H	0501016309	2" 1X 2.5/16" NUT	01 01
12	0501010080	3/8" X 1-1/2" BOLT	03 03
13	0501010984	FLAT WASHER	03 03
14	0503010026	3/8" NUT	03 03
15	0501044366	44,45 X 85,7 X 955 HYDR CYLINDER	01 01
16	0501044367	HYDRAULIC CYLINDER	01 01
17	0501068942	"T" CONNECTION NIPPLES	02 02
18	0501080082		02 02
19	0501080035	1/2" X 900 TR-TR HOSE	04 04
20	0501080060	HOSE 1500 MM	02 02
21	0501080705	3/4" X 118" TR-TC HOSE	01 01
22	0501010613		01 01
23	0501013456		01 01
24	0503010184	1-1/4" TO 1-1/2" CLAMP	02 02
25	0503010243	1-1/2" TO 2" CLAMP	02 02
26	0503010246	2" TO 2 1/2" CLAMP	01 01
27	0501063383	TANK OUTER TUBE	01 01
28	0501047852	CONTROL VALVE (PD V 118 SHT)	03 03
28A	0501069069	CONTROL VALVE (V 985-4/AX 4.75)	01 01
28B	0503030878	LEVER CRANK	01 01
29	0511041980	TANK COVER PROTRACTOR TRACTOR	01 01
29A	0511064784	TANK DIESEL EXTENSION	01 01
30	0501061617	1" WRENCH CYLINDRICAL HEX	01 01
31	0501068213	5/8" WRENCH DOUBLE	01 01
32	0511010153	2-5/16" FIXED WRENCH	01 01
33	0503011031	2-135 N 3006-9B O'RING	02 02
34	0503010740	1/2" X 2" BOLT	02 02
35	0503010019	1/2" SPRING WASHER	02 02
36	0503010060	1/2" NUT	02 02
37	0503010728	M10 X 1.2" BOLT	02 02
38	0501010161	1/2" X 1-1/4" BOLT	04 04
39	0511017302	FLAT WASHER	04 04
40	0503013378		02 02
41	0503011148	3/8" X 1/2" BOLT	02 02



Item	Code	Description	
00	0501040161	RIGHT HYDRAULIC CYLINDER	
00A	0501040162	LEFT HYDRAULIC CYLINDER	
01	0501063658	RH 101,6 X 472 CYLINDER CASE	01
01A	0501063659	LH 101,6 X 472 CYLINDER CASE	01
02	0501068966	HYDRAULIC CYLINDER TURNBUCKLE	01
03	0502010017	4" HEAD	01
04	0502010778	2" X 4.2" RING SUPPORT	01
05	0503010039	D-2000 SCRAPER RING	01
06	0503010991	PACKING 1870-2000-375-B	01
07	0503010952	W2-2250-500 PK RING G.E	01
08	0503011061	8-342 BACK-UP RING	01
09	0503010338	2-342 N 3006-9B O'RING	01
10	0503010345	2-218 N 3006-9B O'RING	01
11	0502010992	2.0" X 4.0" PISTON	01
12	0503010043	PACKING 3750-3250	02
13	0503010994	W2-4000-500 PK RING G.E	01
14	0503010817	1.1/4" UNF SELF ADJUSTING NUT	01
15	0503010002	GREASE FITTING	02
16	0501031799	HYDRAULIC CYLINDER REPAIR KIT	01



MARCHESAN

MARCHESAN IMPLEMENTOS E MÁQUINAS AGRÍCOLAS TATU S.A.

AV. Marchesan, 1979 - Post office box, 131 - CEP 15994-900 - Matão - SP - Brazil

Phone +55 16.3382-8282

(FAX Parts) + 55 16.3382. 8297 - (Export) + 55 16.3382.1003

e.mail: tatu@marchesan.com.br www.marchesan.com.br

*Drafting and Illustration = GASPARI
e.mail = jgaspari@marchesan.com.br*

**ORIGINAL PARTS
TATU**



MARCHESAN