

PARTS CATALOG

FRONT LOADER

PD VALTRA 885-4S/885-4S
PREMIUM S-0797

Code: 0501091421



Series: S-0797

Review: JULHO/97

ORIGINAL PARTS
TATU

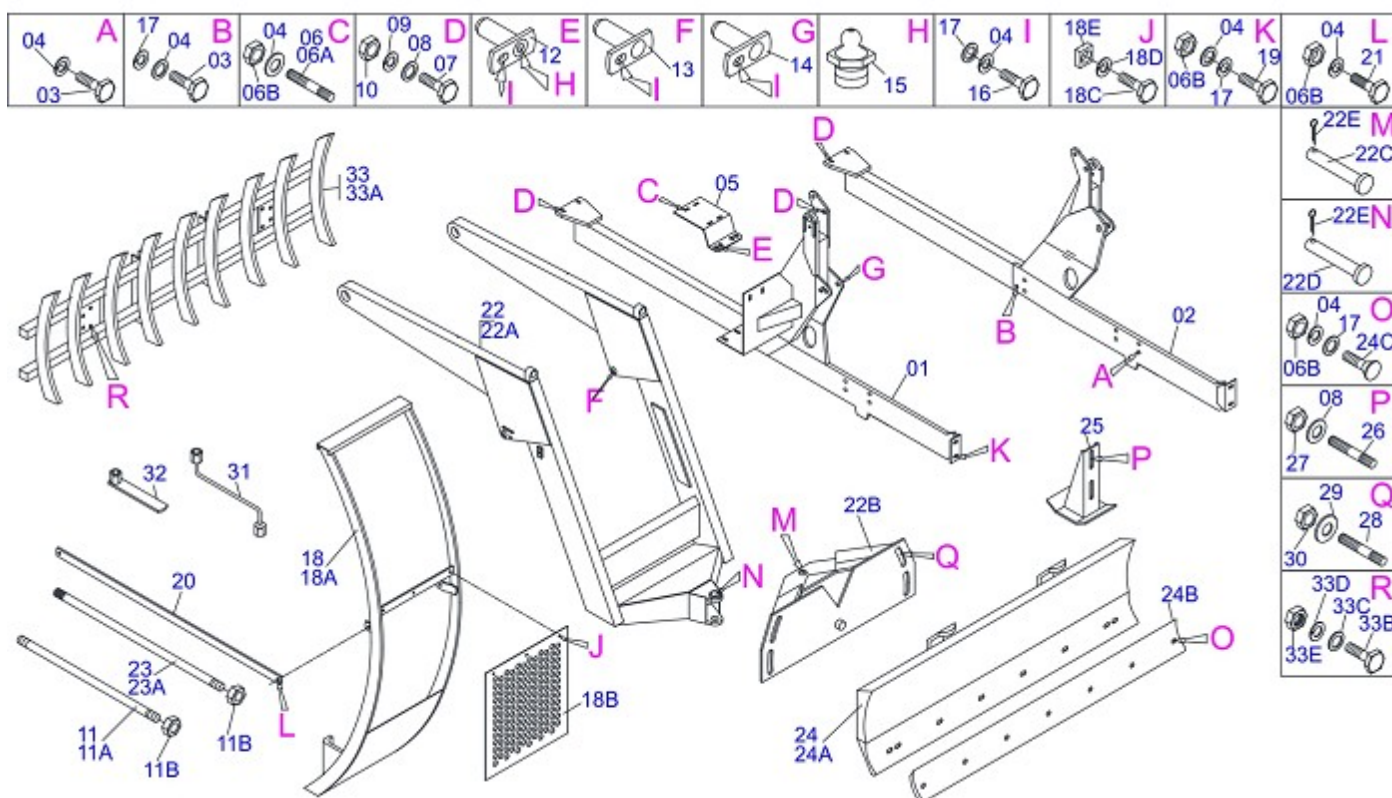


INDEX

0909090287	FRONT LOADER VTR 885-4S/885-4S PREM	1
0909090291	HIDRAULIC CIRCUIT VTR 885-4S/PREM	2
0909090269	HYDRAULIC CYLINDER	3

ATTENTION: IMPORTANT

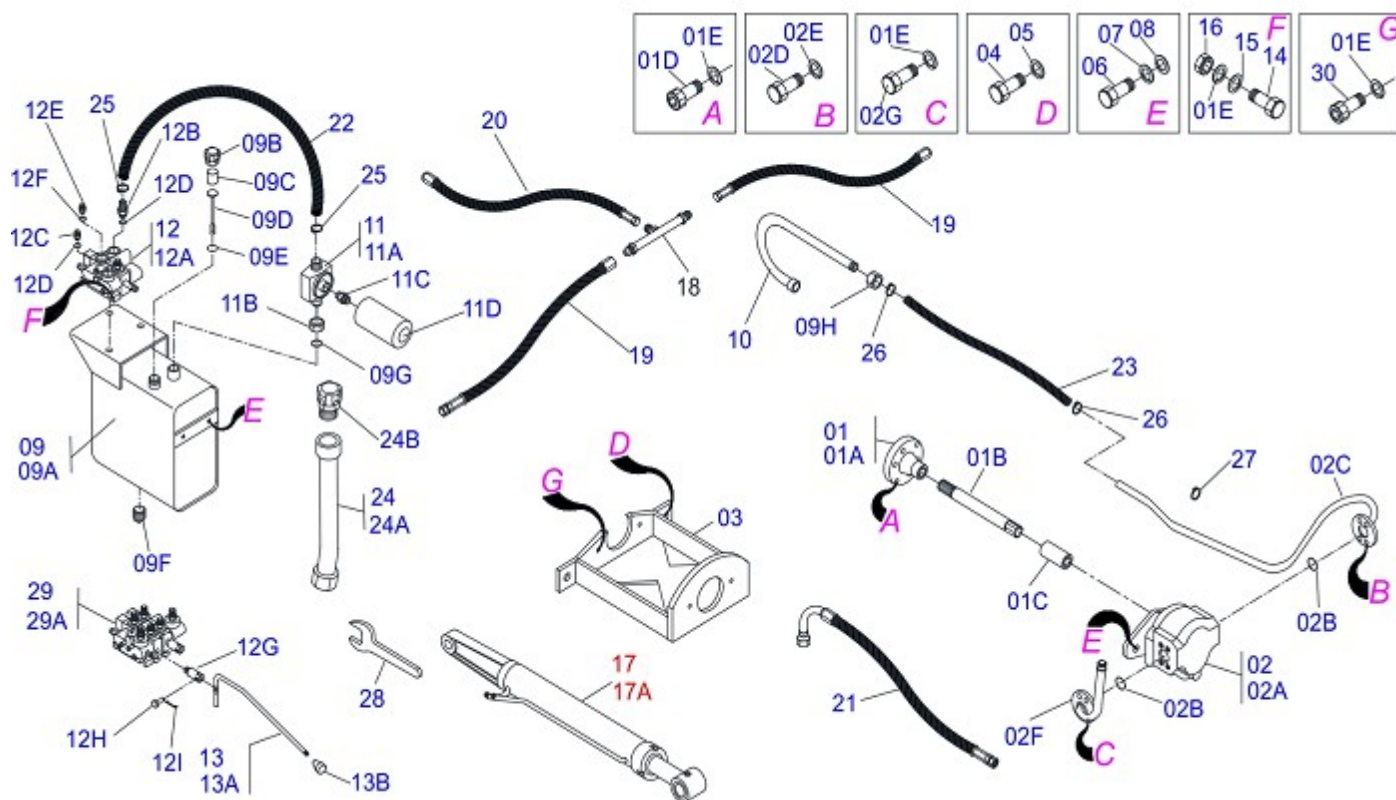
MARCHESAN RESERVES THE RIGHT AT ANY TIME TO MAKE IMPROVEMENTS IN THE DESIGN, MATERIAL OR SPECIFICATIONS OF MACHINERY, EQUIPMENT OR PARTS WITHOUT THEREBY BECOMING LIABLE TO MAKE SIMILAR CHANGES IN MACHINERY, EQUIPMENT OR PARTS PREVIOUSLY SOLD.



Item	Code	Description	QT
01	0501067339	RIGHT FRAME	01
02	0501067340	LEFT FRAME	01
03	0503010819	M16 X 2 X 60 BOLT	16
04	0503010027	5/8" SPRING WASHER	46
05	0501063145	RH FRAME BRACKET	01
05A	0501063146	LH FRAME BRACKET	01
06	0501041867	PRISONER 5/8 NC X 5/8 NC X 240	08
06A	0501011528	PRISONER 5/8 X 5/8 X 240	08
06B	0503010013	5/8" NUT	30
07	0501010125	3/4" X 2-1/2" BOLT	04
08	0501010322	FLAT WASHER	12
09	0503010023	3/4" SPRING WASHER	08
10	0503010014	3/4" NUT	04
11	0501041849	1.1/4" NC X 910 ROD	01
11A	0501014914	1.1/4" X 910 ROD	01
11B	0501010087	1.1/4" UNC NUT	12
12	0501063751	1.5" X 5.5" PIVOT SHAFT	02
13	0501063958	1.5" X 4.3" PIVOT SHAFT LOCK	02
14	0501063959	PIVOT SHAFT	02
15	0503010002	GREASE FITTING	02
16	0503010962	5/8" X 1-1/4" BOLT	06
17	0501012140	FLAT WASHER	28
18	0501041796	MOBILE SUPPORT GUIDE ASSY	01
18A	0501063133	MOBILE SUPPORT GUIDE	01
18B	0501014687	FRONT PROTECTION	01
18C	0503010751	3/8" X 1.1/4" HEX BOLT G.5	03
18D	0501010984	FLAT WASHER	03
18E	0501011338	3/8" SQUARE NUT	03
19	0501010100	5/8" X 2" BOLT	06
20	0511016419		02
21	0503010232	5/8" X 1.3/4" BOLT	02
22	0501044604	MOBILE SUPPORT ASSY	01
22A	0501066834	MOBILE SUPPORT	01



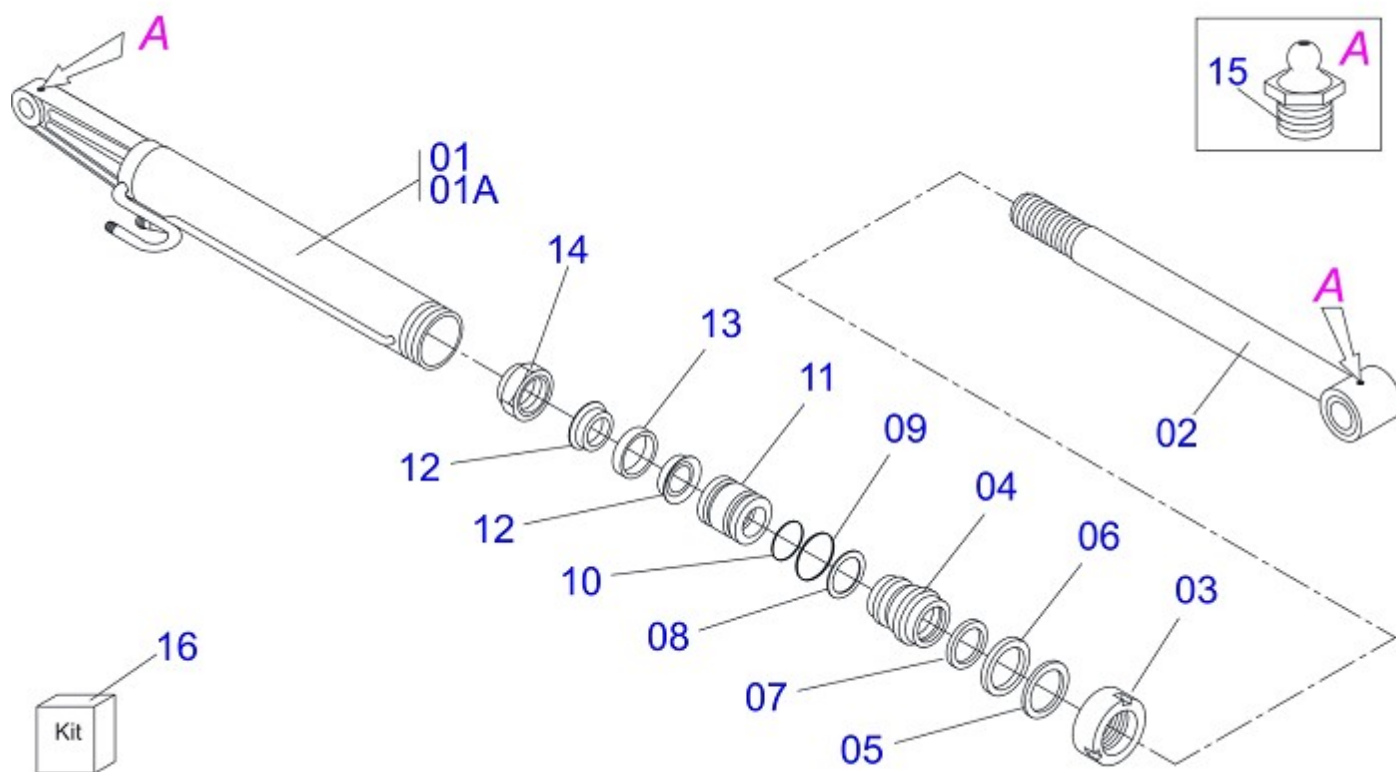
Item	Code	Description	QT
22B	0501062637	5/8" REGULATOR SUPPORT	01
22C	0521010612	1.4" X 3.5" COUPLING SHAFT	01
22D	0521010618	1.4" X 8.6" COUPLING SHAFT	01
22E	0503010010	1/4" X 2.1/2" COTTERPIN	02
23	0501041427	1.1/4" NC X 1540 ROD	02
23A	0501014250	1.1/4" X 1540 ROD	02
24	0501047708	2400 BLADE SUPPORT	01
24A	0501067999	2390 BLADE SUPPORT	01
24B	0622360016	94.5" SCRAPER REVERSIBLE	01
24C	0501012240	5/8" X 2-1/2" BOLT	08
25	0501063411	ESTABILIZER BRACKET	02
26	0501010571	3/4 NC X 3/4 NF X 56 PRISONER	04
27	0503010335	3/4" NUT	04
28	0501010572	1 UNC X 1 UNS X 76 PRISONER	04
29	0501010574	FLAT WASHER	04
30	0503010340	1" UNF NUT	04
31	0501068213	5/8" WRENCH DOUBLE	01
32	0501061617	1" WRENCH CYLINDRICAL HEX	01
33	0108010002	9 TEETH ROOTH RAKER	01
33A	0501060958	9 TEETH ROOTH RAKER	01
33B	0501010276	1" X 3" BOLT	04
33C	0501010065	FLAT WASHER	04
33D	0503010012	1" SPRING WASHER	04
33E	0501010059	1" NUT HEX	04



Item	Code	Description	QT
01	0501053450		01
01A	0501067327	FLANGE COUPLING	01
01B	0501069709	605 X 1.1/8 STRIATED X 1.1/8-30G	01
01C	0503030838	1-1/8" X 2.4" SLEEVE	01
01D	0503011313	M8 X 2" BOLT	06
01E	0503010025	3/8" SPRING WHASHER	15
02	0501052012	PUMP WITH TUBE	01
02A	0503060045	40L 1/2" PUMP	01
02B	0503010173	2-220 N 3006-9B O'RING	02
02C	0501069711	PUMP SUCTION TUBE	01
02D	0503010355	7/16" X 1" BOLT	04
02E	0503010180	7/16" SPRING WASHER	04
02F	0501069712	PUMP PRESSURE TUBE	01
02G	0503010237	3/8" X 1" HEX BOLT G5	04
03	0501069710	PUMP SUPPORT	01
04	0503011188	M16 X 2 X 50 BOLT	02
05	0503010027	5/8" SPRING WASHER	02
06	0501010161	1/2" X 1-1/4" BOLT	06
07	0503010019	1/2" SPRING WASHER	06
08	0511017302	FLAT WASHER	06
09	0501047808	RESERVOIR OIL ASSY	01
09A	0501068882	RESERVOIR OIL	01
09B	0502020472	TANK COVER BODY	01
09C	0503030044	FILTERING ELEMENT	01
09D	0501060975	OIL GAGE	01
09E	0503010185	2-221 N 3006-9B O'RING	01
09F	0503031604	1/2" BSP PLUG	01
09G	0503010046	2-216 N 3006-9B O'RING	01
09H	0501016309	2" 1X 2.5/16" NUT	01
10	0501063383	TANK OUTER TUBE	01
11	0501041108	RETURNING FILTER ASSY	01
11A	0502050002	RETURNING FILTER HEAD	01
11B	0501010594	1" NUT HEX	01



Item	Code	Description	QT
11C	0501010595	1" NF NIPPLE	01
11D	0503010183	RETURNING FILTER	01
12	0501040871	1/2" COMMAND SIMPLE ASSY	01
12A	0503060080	1/2" COMMAND SIMPLE	01
12B	0501010591	HOSE NIPPLE	01
12C	0501010589	1-1/16 NIPPLE	01
12D	0503010602	2-211 N 3006-9B O'RING	02
12E	0501010590	7/8" REDUCTION NIPPLE	02
12F	0503010045	2-116 N 3006-9B O'RING	02
12G	0503030347	UPPER LEVER ASSY (SAUER DANFOSS)	01
12H	0521010533	0.3" X 1" COUPLING SHAFT	01
12I	0503010140	1/8" X 3/4" COTTERPIN	01
13	0501047852	CONTROL VALVE (PD V 118 SHT)	01
13A	0501069069	CONTROL VALVE (V 985-4/AX 4.75)	01
13B	0503030878	LEVER CRANK	01
14	0501010080	3/8" X 1-1/2" BOLT	03
15	0501010984	FLAT WASHER	03
16	0503010026	3/8" NUT	03
17	0501040161	RIGHT HYDRAULIC CYLINDER	01
17A	0501040162	LEFT HYDRAULIC CYLINDER	01
18	0501068942	"T" CONNECTION NIPPLES	02
19	0501080109	1/2" X 800 TR-TR HOSE	04
20	0501080288		02
21	0501080560	3/4" X 106.299" HOSE HOLDER ASSY	01
22	0501010610	1" X 800 AB-AB HOSE	01
23	0501011514	1.1/4" X 1550 AB-AB HOSE	01
24	0501048210	TANK COVER PROTRACTOR	01
24A	0501069618	TANK COVER PROTRACTOR	01
24B	0502020549	TANK COVER	01
25	0503010184	1-1/4" TO 1-1/2" CLAMP	02
26	0503010243	1-1/2" TO 2" CLAMP	02
27	0503010246	2" TO 2/1/2" CLAMP	03
28	0511010153	2-5/16" FIXED WRENCH	01
29	0501040873	1/2" DOUBLE COMMAND	01
29A	0503060081	1/2" DOUBLE COMMAND	01
30	0503010175	3/8" X 1-1/4" BOLT	02



Item	Code	Description	
00	0501040161	RIGHT HYDRAULIC CYLINDER	
00A	0501040162	LEFT HYDRAULIC CYLINDER	
01	0501063658	RH 101,6 X 472 CYLINDER CASE	01
01A	0501063659	LH 101,6 X 472 CYLINDER CASE	01
02	0501068966	HYDRAULIC CYLINDER TURNBUCKLE	01
03	0502010017	4" HEAD	01
04	0502010778	2" X 4.2" RING SUPPORT	01
05	0503010039	D-2000 SCRAPER RING	01
06	0503010991	PACKING 1870-2000-375-B	01
07	0503010952	W2-2250-500 PK RING G.E	01
08	0503011061	8-342 BACK-UP RING	01
09	0503010338	2-342 N 3006-9B O'RING	01
10	0503010345	2-218 N 3006-9B O'RING	01
11	0502010992	2.0" X 4.0" PISTON	01
12	0503010043	PACKING 3750-3250	02
13	0503010994	W2-4000-500 PK RING G.E	01
14	0503010817	1.1/4" UNF SELF ADJUSTING NUT	01
15	0503010002	GREASE FITTING	02
16	0501031799	HYDRAULIC CYLINDER REPAIR KIT	01



MARCHESAN

MARCHESAN IMPLEMENTOS E MÁQUINAS AGRÍCOLAS TATU S.A.

AV. Marchesan, 1979 - Post office box, 131 - CEP 15994-900 - Matão - SP - Brazil

Phone +55 16.3382-8282

(FAX Parts) + 55 16.3382. 8297 - (Export) + 55 16.3382.1003

e.mail: tatu@marchesan.com.br www.marchesan.com.br

*Drafting and Illustration = GASPARI
e.mail = jgaspari@marchesan.com.br*

**ORIGINAL PARTS
TATU**



MARCHESAN