

PARTS CATALOG

FRONT LOADER

PD VALMET 1180-4S S-0195

Code: 0501091420



Series: S-0195

Review: JANEIRO/95

ORIGINAL PARTS
TATU

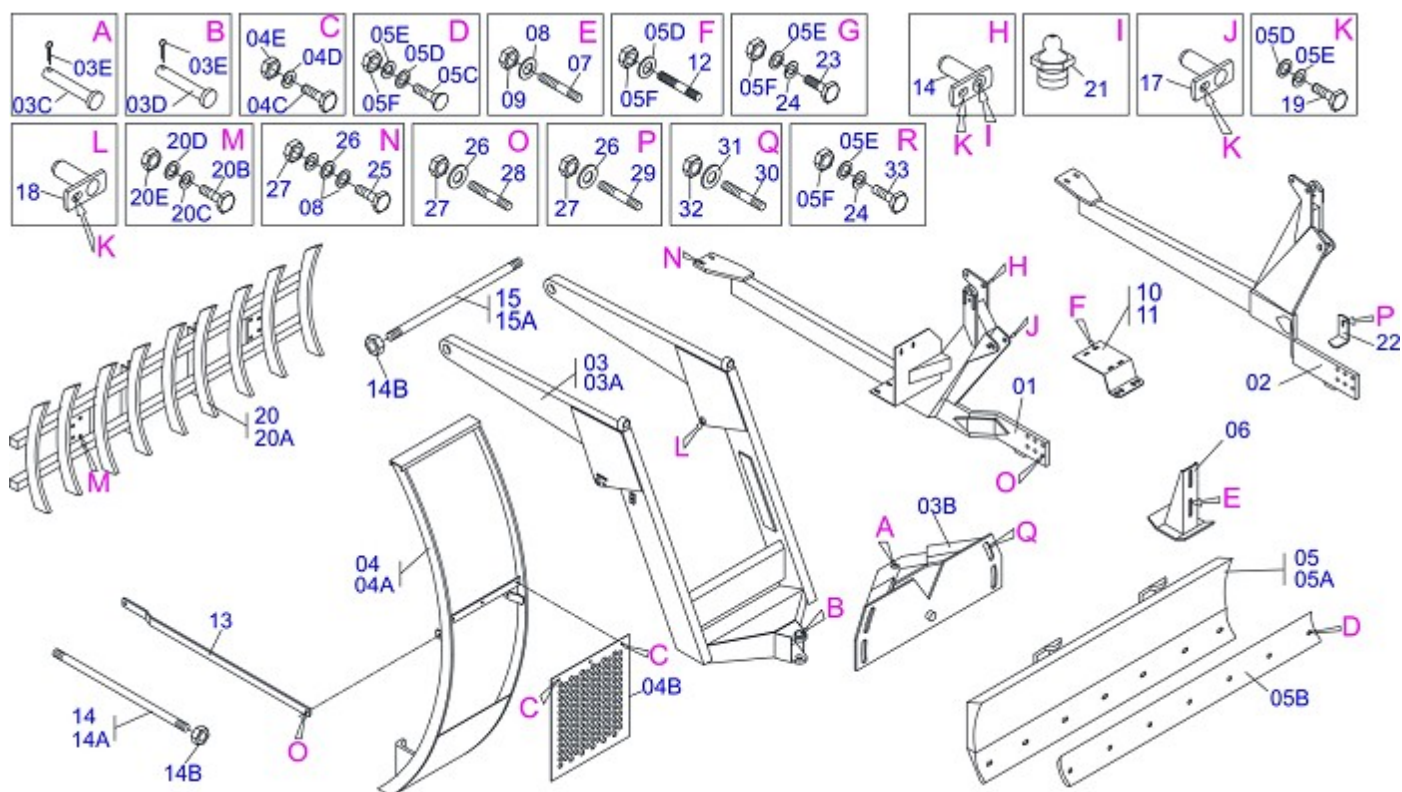


INDEX

0909090328	FRONT LOADER V/VTR 1180-4S	1
0909090331	HYDRAULIC CIRCUIT V/VTR 1180-4S	2
0909090269	HYDRAULIC CYLINDER	3

ATTENTION: *IMPORTANT*

MARCHESAN RESERVES THE RIGHT AT ANY TIME TO MAKE IMPROVEMENTS IN THE DESIGN, MATERIAL OR SPECIFICATIONS OF MACHINERY, EQUIPMENT OR PARTS WITHOUT THEREBY BECOMING LIABLE TO MAKE SIMILAR CHANGES IN MACHINERY, EQUIPMENT OR PARTS PREVIOUSLY SOLD.

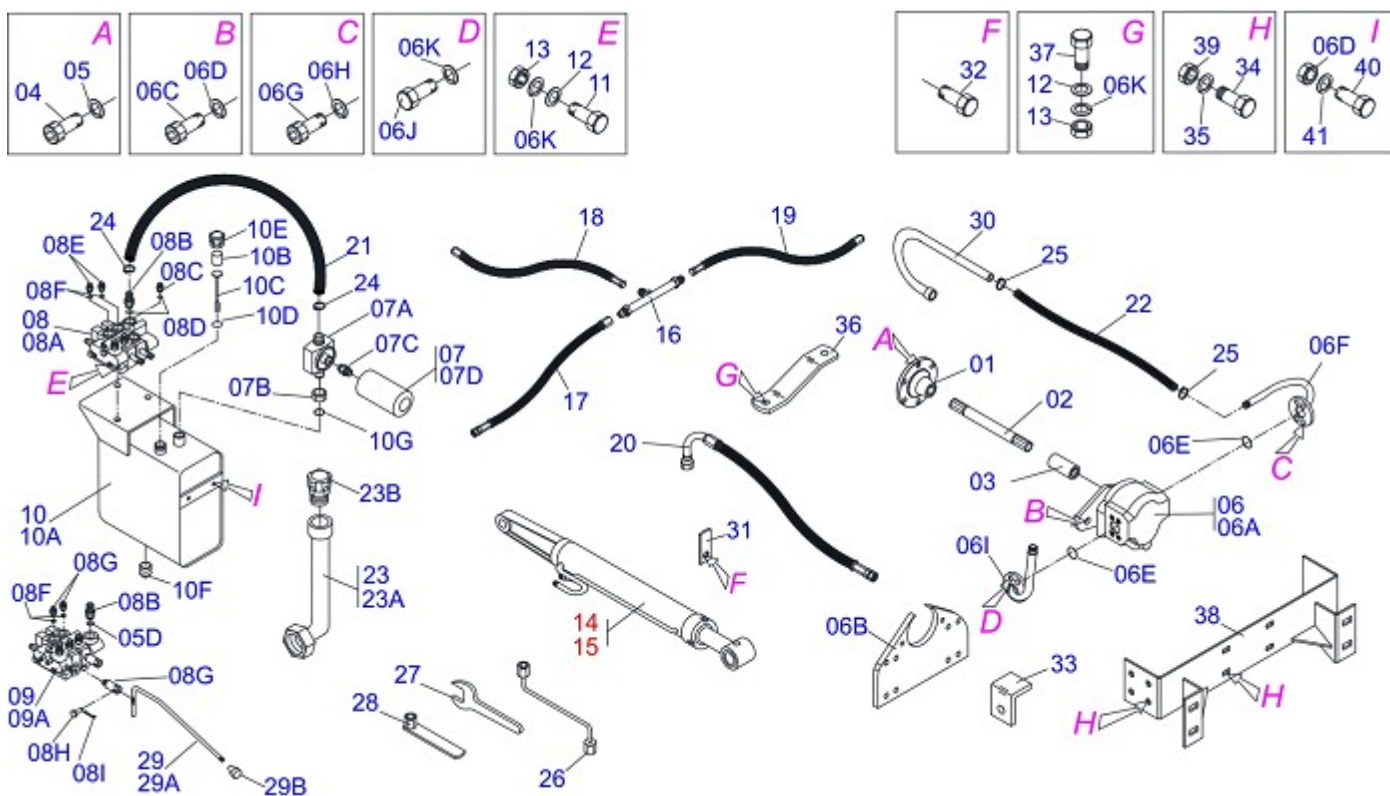


Item	Code	Description	
01	0501067224	RIGHT PD FRAME	01
02	0501067225	LEFT FRAME	01
03	0501044604	MOBILE SUPPORT ASSY	01
03A	0501066834	MOBILE SUPPORT	01
03B	0501062637	5/8" REGULATOR SUPPORT	01
03C	0521010618	1.4" X 8.6" COUPLING SHAFT	01
03D	0521010612	1.4" X 3.5" COUPLING SHAFT	01
03E	0503010010	1/4" X 2.1/2" COTTERPIN	02
04	0501041796	MOBILE SUPPORT GUIDE ASSY	01
04A	0501063133	MOBILE SUPPORT GUIDE	01
04B	0501014687	FRONT PROTECTION	01
04C	0503010751	3/8" X 1.1/4" HEX BOLT G.5	03
04D	0501010984	FLAT WASHER	03
04E	0501063146	LH FRAME BRACKET	01
05	0501047710	2600MM BLADE SUPPORT ASSY	01
05A	0501068001	2590MM BLADE SUPPORT ASSY	01
05B	0622360011	2600 SCRAPER REVERSIBLE	01
05C	0501012240	5/8" X 2-1/2" BOLT	08
05D	0501010301	FLAT WASHER	22
05E	0503010027	5/8" SPRING WASHER	20
05F	0503010013	5/8" NUT	22
06	0501063411	ESTABILIZER BRACKET	02
07	0501010571	3/4 NC X 3/4 NF X 56 PRISONER	04
08	0501010322	FLAT WASHER	08
09	0503010014	3/4" NUT	04
10	0501063145	RH FRAME BRACKET	01
11	0501063146	LH FRAME BRACKET	01
12	0501011426	PRISONER 5/8 NC X 5/8 NC X 240	08
13	0521012699	ATTACHMENT BAR	02
14	0501041427	1.1/4" NC X 1540 ROD	01
14A	0501014250	1.1/4" X 1540 ROD	01
14B	0502012180	CONICAL SPRING WASHER	02
14C	0501010087	1.1/4" UNC NUT	04



PD VALMET 1180-4S S-0195
FRONT LOADER V/VTR 1180-4S

Item	Code	Description	
15	0501041849	1.1/4" NC X 910 ROD	01
15B	0501014914	1.1/4" X 910 ROD	01
16	0501063958	1.5" X 4.3" PIVOT SHAFT LOCK	02
17	0501063959	PIVOT SHAFT	02
18	0501063751	1.5" X 5.5" PIVOT SHAFT	02
19	0503010962	5/8" X 1-1/4" BOLT	06
20	0108010002	9 TEETH ROOTH RAKER	01
20A	0501060958	9 TEETH ROOTH RAKER	01
20B	0501010276	1" X 3" BOLT	04
20C	0501010623	FLAT WASHER	04
20D	0503010012	1" SPRING WASHER	04
20E	0501010059	1" NUT HEX	04
21	0503010002	GREASE FITTING	02
22	0511014400	BEATER CENTRAL	02
23	0501010100	5/8" X 2" BOLT	02
24	0501012140	FLAT WASHER	06
25	0501010500	3/4" X 3" BOLT	04
26	0503010023	3/4" SPRING WASHER	16
27	0503010335	3/4" NUT	16
28	0511014680	PRISONER M20 X 3/4 UNF X 85	10
29	0501010603	PRISONER M20 X 3/4 UNF X 95	02
30	0501010572	1 UNC X 1 UNS X 76 PRISONER	04
31	0501010574	FLAT WASHER	04
32	0503010340	1" UNF NUT	04
33	0503011267	5/8" X 1.1/2" BOLT	04



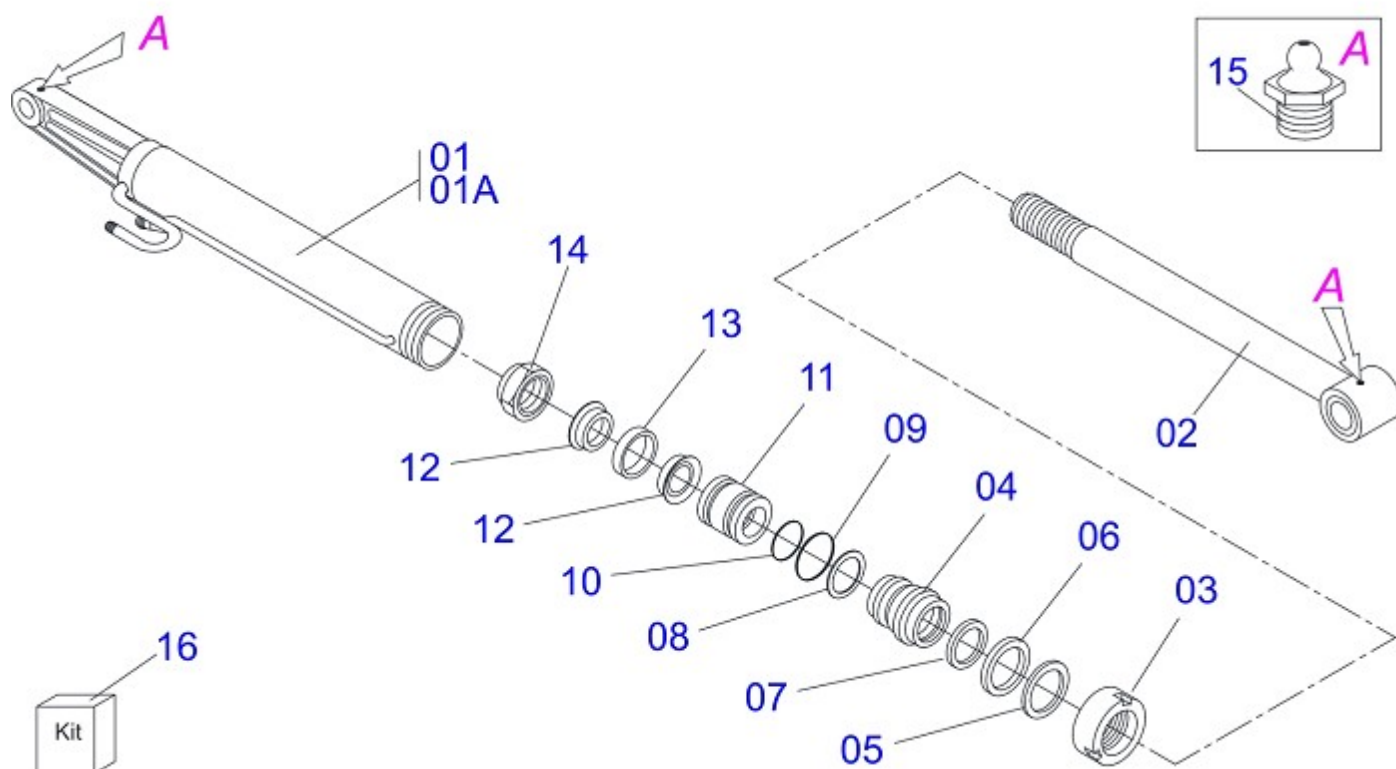
Item	Code	Description	CS	CD
01	0501067342	FLANGE COUPLING	01	01
02	0501069821	RIGHT SEED CONDUCTOR	01	01
03	0503030838	1-1/8" X 2.4" SLEEVE	01	01
04	0503011384	M8 X 0.2" BOLT	01	01
05	0503010180	7/16" SPRING WASHER	12	12
06	0501052589	PUMP WITH TUBE	01	01
06A	0503060045	40L 1/2" PUMP	01	01
06B	0501054609	MODIFICATION KIT	01	01
06C	0501010063	1/2" X 1-1/2" BOLT	02	02
06D	0503010019	1/2" SPRING WASHER	04	04
06E	0503010173	2-220 N 3006-9B O'RING	02	02
06F	0511061352	PUMP SUCTION TUBE	01	01
06G	0503010355	7/16" X 1" BOLT	04	04
06H	0503010180	7/16" SPRING WASHER	04	04
06I	0501069712	PUMP PRESSURE TUBE	01	01
06J	0503010237	3/8" X 1" HEX BOLT G5	04	04
06K	0503010025	3/8" SPRING WHASHER	08	08
07	0501041108	RETURNING FILTER ASSY	01	01
07A	0502050002	RETURNING FILTER HEAD	01	01
07B	0501010594	1" NUT HEX	01	01
07C	0501010595	1" NF NIPPLE	01	01
07D	0503010183	RETURNING FILTER	01	01
08	0501040871	1/2" COMMAND SIMPLE ASSY	01	
08A	0503060080	1/2" COMMAND SIMPLE	01	01
08B	0501010591	HOSE NIPPLE	01	01
08C	0501010589	1-1/16 NIPPLE	01	01
08D	0503010602	2-211 N 3006-9B O'RING	02	02
08E	0501010590	7/8" REDUCTION NIPPLE	02	04
08F	0503010045	2-116 N 3006-9B O'RING	02	04
08G	0503030347	UPPER LEVER ASSY (SAUER DANFOSS)	01	02
08H	0521010532	0.3" X 0.9" COUPLING SHAFT	01	02
08I	0503010140	1/8" X 3/4" COTTERPIN	01	02
09	0501040873	1/2" DOUBLE COMMAND	01	



HYDRAULIC CIRCUIT V/VTR 1180-4S

0909090331

Item	Code	Description	CS CD
09A	0503060081	1/2" DOUBLE COMMAND	01
10	0501047808	RESERVOIR OIL ASSY	01 01
10A	0501068882	RESERVOIR OIL	01 01
10B	0503030044	FILTERING ELEMENT	01 01
10C	0501060975	OIL GAGE	01 01
10D	0503010185	2-221 N 3006-9B O'RING	01 01
10E	0502020472	TANK COVER BODY	01 01
10F	0503031604	1/2" BSP PLUG	01 01
10G	0503010046	2-216 N 3006-9B O'RING	01 01
10H	0501016309	2" 1X 2.5/16" NUT	01 01
11	0501010080	3/8" X 1-1/2" BOLT	03 03
12	0501010984	FLAT WASHER	07 07
13	0503010026	3/8" NUT	07 07
14	0501040161	RIGHT HYDRAULIC CYLINDER	01 01
15	0501040162	LEFT HYDRAULIC CYLINDER	01 01
16	0501068942	"T" CONNECTION NIPPLES	02 02
17	0501080103	1/2" X 47" TR-TR HOSE ASSY	02 02
18	0501080021	1/2" X 51" TR-TR HOSE ASSY	02 02
19	0501080307	1/2" X 2150 TR-TR HOSE	02 02
20	0501080604		01 01
21	0501010610	1" X 800 AB-AB HOSE	01 01
22	0521019365		01 01
23	0501043022	TANK COVER PROTRACTOR TRACTOR	01 01
23A	0501063065	TANK COVER TUBE	01 01
23B	0502020473	COVER TUBE	01 01
24	0503010340	1" UNF NUT	02 02
25	0503010184	1-1/4" TO 1-1/2" CLAMP	02 02
26	0501068213	5/8" WRENCH DOUBLE	01 01
27	0511010153	2-5/16" FIXED WRENCH	01 01
28	0501061617	1" WRENCH CYLINDRICAL HEX	01 01
29	0501047934	CONTROL VALVE (PD V 1380-4S SHT)	02 02
29A	0501067573	CONTROL VALVE	01 01
29B	0503030878	LEVER CRANK	01 01
30	0501067815	TANK OUTER TUBE	01 01
31	0501014640	HOSE ASSY PROTECCION SHEET	01 01
32	0501010096	3/8" X 2" BOLT	01 01
33	0521016106	HOSE ASSY FIXER SUPPORT	01 01
34	0501010100	5/8" X 2" BOLT	13 13
35	0503010027	5/8" SPRING WASHER	13 13
36	0521012714		02 02
37	0503010765	3/8" X 3" BOLT	04 04
38	0511061457	FRONTAL SUPPORT	01 01
39	0503010013	5/8" NUT	12 12
40	0501010161	1/2" X 1-1/4" BOLT	02 02
41	0511017302	FLAT WASHER	02 02
42	0503010740	1/2" X 2" BOLT	04 04



Item	Code	Description	
00	0501040161	RIGHT HYDRAULIC CYLINDER	
00A	0501040162	LEFT HYDRAULIC CYLINDER	
01	0501063658	RH 101,6 X 472 CYLINDER CASE	01
01A	0501063659	LH 101,6 X 472 CYLINDER CASE	01
02	0501068966	HYDRAULIC CYLINDER TURNBUCKLE	01
03	0502010017	4" HEAD	01
04	0502010778	2" X 4.2" RING SUPPORT	01
05	0503010039	D-2000 SCRAPER RING	01
06	0503010991	PACKING 1870-2000-375-B	01
07	0503010952	W2-2250-500 PK RING G.E	01
08	0503011061	8-342 BACK-UP RING	01
09	0503010338	2-342 N 3006-9B O'RING	01
10	0503010345	2-218 N 3006-9B O'RING	01
11	0502010992	2.0" X 4.0" PISTON	01
12	0503010043	PACKING 3750-3250	02
13	0503010994	W2-4000-500 PK RING G.E	01
14	0503010817	1.1/4" UNF SELF ADJUSTING NUT	01
15	0503010002	GREASE FITTING	02
16	0501031799	HYDRAULIC CYLINDER REPAIR KIT	01



MARCHESAN

MARCHESAN IMPLEMENTOS E MÁQUINAS AGRÍCOLAS TATU S.A.

AV. Marchesan, 1979 - Post office box, 131 - CEP 15994-900 - Matão - SP - Brazil

Phone +55 16.3382-8282

(FAX Parts) + 55 16.3382. 8297 - (Export) + 55 16.3382.1003

e.mail: tatu@marchesan.com.br www.marchesan.com.br

Drafting and Illustration = GASPARI
e.mail = jgaspari@marchesan.com.br

**ORIGINAL PARTS
TATU**



MARCHESAN