

PARTS CATALOG

FRONT LOADER

PD VALMET 1180-4 S-0195

Code: 0501091417



Series: S-0195

Review: JANEIRO/95

ORIGINAL PARTS
TATU



INDEX

0909090300	FRONT LOADER V 1180-4	1
0909090301	HYDRAULIC CIRCUIT V 1180-4	2
0909090302	HYDRAULIC CYLINDER	3

ATTENTION: IMPORTANT

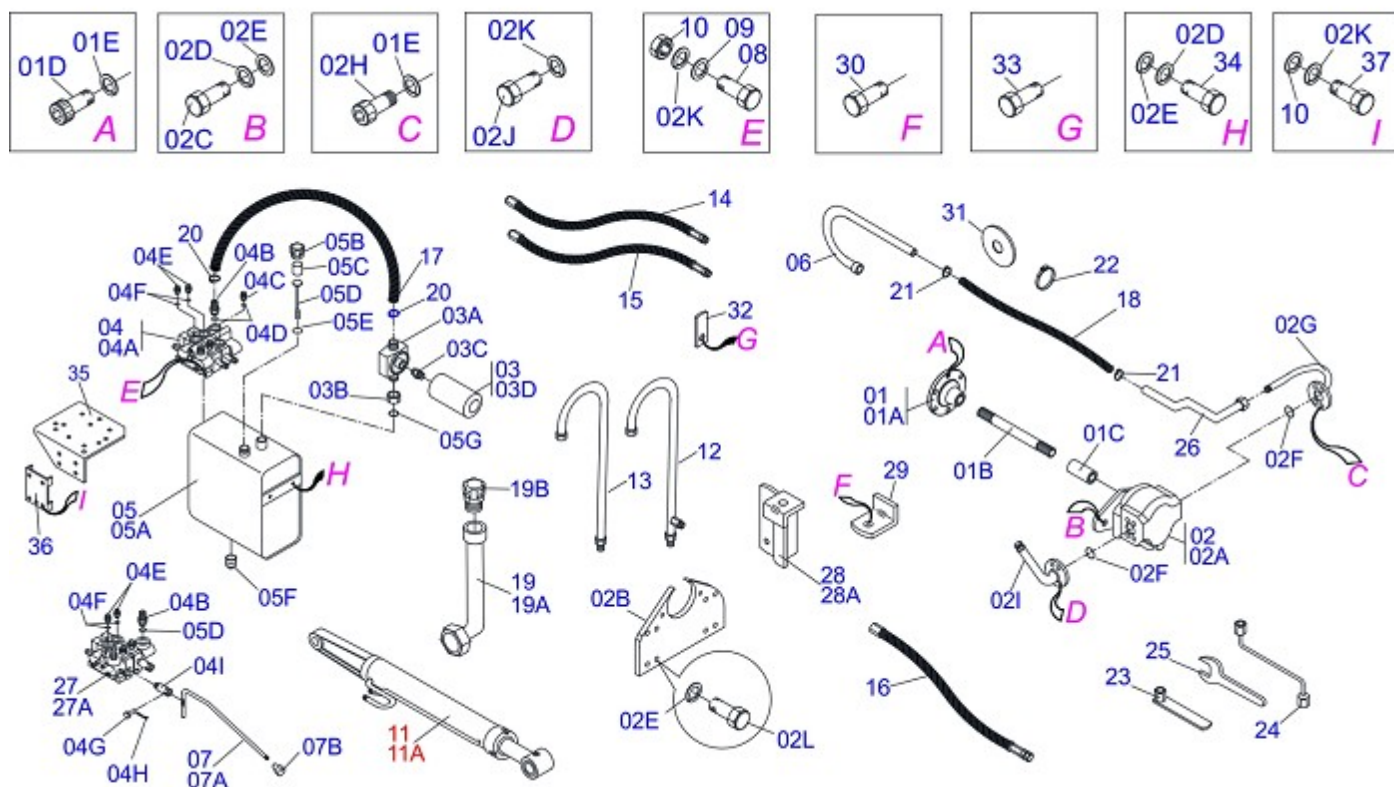
MARCHESAN RESERVES THE RIGHT AT ANY TIME TO MAKE IMPROVEMENTS IN THE DESIGN, MATERIAL OR SPECIFICATIONS OF MACHINERY, EQUIPMENT OR PARTS WITHOUT THEREBY BECOMING LIABLE TO MAKE SIMILAR CHANGES IN MACHINERY, EQUIPMENT OR PARTS PREVIOUSLY SOLD.



FRONT LOADER V 1180-4

0909090300

Item	Code	Description	QT
14	0501063751	1.5" X 5.5" PIVOT SHAFT	02
15	0501063958	1.5" X 4.3" PIVOT SHAFT LOCK	02
16	0501063959	PIVOT SHAFT	02
17	0503010962	5/8" X 1-1/4" BOLT	06
18	0501010125	3/4" X 2-1/2" BOLT	04
19	0503010023	3/4" SPRING WASHER	20
20	0501010603	PRISONER M20 X 3/4 UNF X 95	02
20A	0511014680	PRISONER M20 X 3/4 UNF X 85	10
21	0501014637	GUIDE SUPPORT	01
21A	0501014638	LH GUIDE SUPPORT	01
22	0501010100	5/8" X 2" BOLT	04
23	0503011267	5/8" X 1.1/2" BOLT	04
24	0501011426	PRISONER 5/8 NC X 5/8 NC X 240	08
25	0501010572	1 UNC X 1 UNS X 76 PRISONER	04
26	0501010574	FLAT WASHER	04
27	0503010340	1" UNF NUT	04
28	0108010002	9 TEETH ROOTH RAKER	01
28A	0501060958	9 TEETH ROOTH RAKER	01
28B	0501010276	1" X 3" BOLT	04
28C	0501010623	FLAT WASHER	18
28D	0503010012	1" SPRING WASHER	04
28E	0501010059	1" NUT HEX	04
29	0503010002	GREASE FITTING	02
30	0503010335	3/4" NUT	12



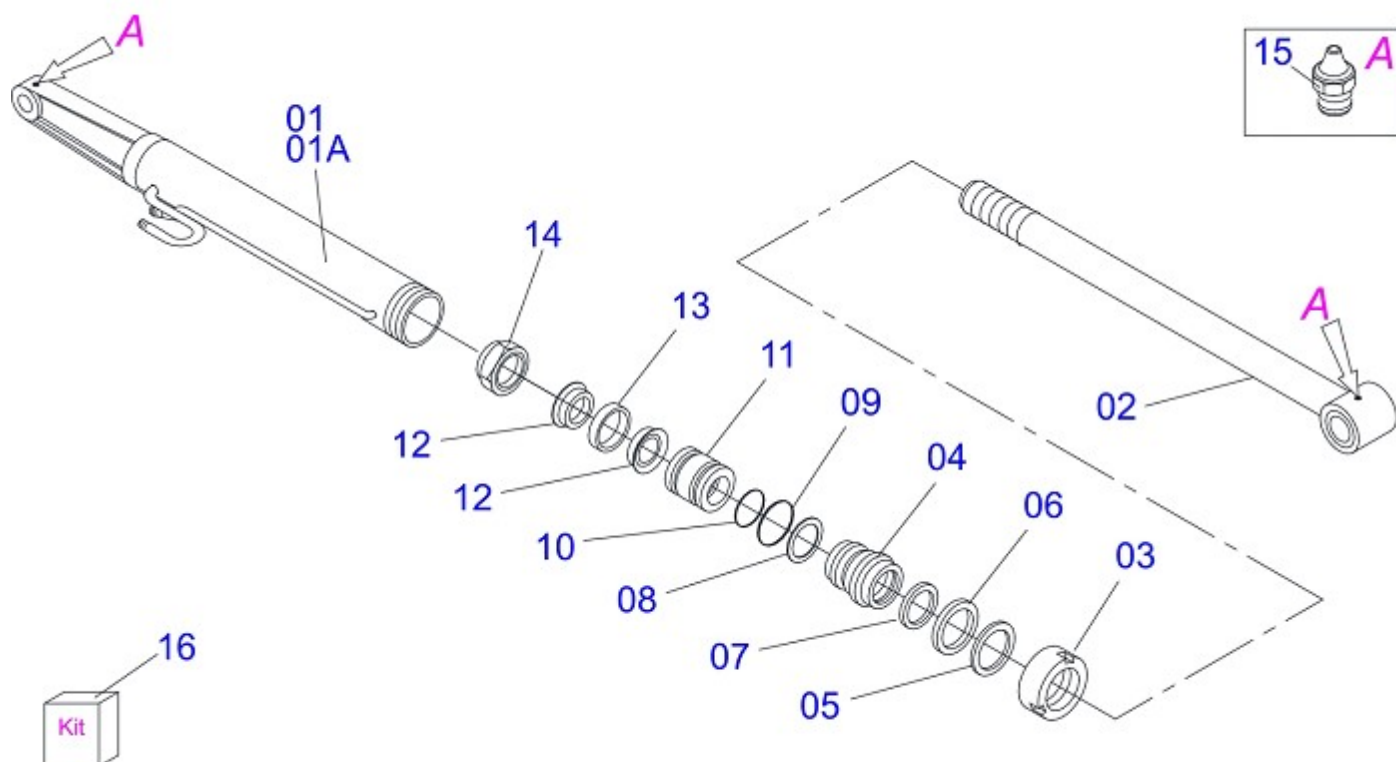
Item	Code	Description	QT
01	0501047541	COUPLING ASSY	01
01A	0501067295	FLANGE COUPLING	01
01B	0503031041	505 X 1.1/8" AXLE	01
01C	0503030838	1-1/8" X 2.4" SLEEVE	01
01D	0503010729	M10 X 1" BOLT	06
01E	0503010180	7/16" SPRING WASHER	08
02	0501041798	PUMP GEAR ASSY	01
02A	0503060045	40L 1/2" PUMP	01
02B	0501014609	PUMP SUPPORT	01
02C	0501010063	1/2" X 1-1/2" BOLT	02
02D	0511017302	FLAT WASHER	06
02E	0503010019	1/2" SPRING WASHER	10
02F	0503010173	2-220 N 3006-9B O'RING	02
02G	0501064206	PUMP SUCTION TUBE	01
02H	0503010355	7/16" X 1" BOLT	02
02I	0501063137	PUMP PRESSURE TUBE	01
02J	0503010237	3/8" X 1" HEX BOLT G5	04
02K	0503010025	3/8" SPRING WHASHER	11
02L	0501010077	1/2" X 2" BOLT	04
03	0501041108	RETURNING FILTER ASSY	01
03A	0502050002	RETURNING FILTER HEAD	01
03B	0501010594	1" NUT HEX	01
03C	0501010595	1" NF NIPPLE	01
03D	0503010183	RETURNING FILTER	01
04	0501040871	1/2" COMMAND SIMPLE ASSY	01
04A	0503060080	1/2" COMMAND SIMPLE	01
04B	0501010591	HOSE NIPPLE	02
04C	0501010589	1-1/16 NIPPLE	02
04D	0503010602	2-211 N 3006-9B O'RING	02
04E	0501010590	7/8" REDUCTION NIPPLE	06
04F	0503010045	2-116 N 3006-9B O'RING	06
04G	0521010533	0.3" X 1" COUPLING SHAFT	01
04H	0503010140	1/8" X 3/4" COTTERPIN	01



HYDRAULIC CIRCUIT V 1180-4

0909090301

Item	Code	Description	QT
04I	0503030347	UPPER LEVER ASSY (SAUER DANFOSS)	01
05	0501047807	RESERVOIR OIL ASSY	01
05A	0501068880	RESERVOIR OIL	01
05B	0502020472	TANK COVER BODY	01
05C	0503030044	FILTERING ELEMENT	01
05D	0501060975	OIL GAGE	01
05E	0503010185	2-221 N 3006-9B O'RING	01
05F	0503031604	1/2" BSP PLUG	01
05G	0503010046	2-216 N 3006-9B O'RING	01
06	0501063383	TANK OUTER TUBE	02
07	0501047854	CONTROL VALVE (PD CBT 2105 SHT)	02
07A	0501067570	CONTROL VALVE (CBT 2105)	02
07B	0503030878	LEVER CRANK	02
08	0501010080	3/8" X 1-1/2" BOLT	03
09	0501010984	FLAT WASHER	03
10	0503010026	3/8" NUT	07
11	0501044362	HYDRAULIC CYLINDER	01
11A	0501044363	HYDRAULIC CYLINDER	01
12	0501068945	CURVED CONNECTION	02
13	0501064350	VALVE PRESSURE TUBE	01
14	0501080021	1/2" X 51" TR-TR HOSE ASSY	02
15	0501080336	1/2" X 2450 TR-TR HOSE	02
16	0501080334	HOSE ASSY 3/4 X 2400 TR-TR	01
17	0501010610	1" X 800 AB-AB HOSE	01
18	0501019222	HOSE 1.1/4" X 1450 AB-AB	01
19	0501043022	TANK COVER PROTRACTOR TRACTOR	01
19A	0501063065	TANK COVER TUBE	01
19B	0502020473	COVER TUBE	01
20	0503010184	1-1/4" TO 1-1/2" CLAMP	02
21	0503010243	1-1/2" TO 2" CLAMP	02
22	0503010246	2" TO 2 1/2" CLAMP	01
23	0501061617	1" WRENCH CYLINDRICAL HEX	01
24	0501068213	5/8" WRENCH DOUBLE	01
25	0511010153	2-5/16" FIXED WRENCH	01
26	0501063134	SUCTION TUBE	01
27	0501040873	1/2" DOUBLE COMMAND	01
27A	0503060081	1/2" DOUBLE COMMAND	01
28	0501067325	LH PUMP SUPPORT FIXER	01
28A	0501067326	RIGHT PUMP SUPPORT FIXER	01
29	0511016367	SUPPORT FIXER CLAMP	02
30	0511016281	3/4" X 8" BOLT	02
31	0501010574	FLAT WASHER	04
32	0501014640	HOSE ASSY PROTECCION SHEET	01
33	0501010096	3/8" X 2" BOLT	01
34	0503010834	1/2" X 1" BOLT	04
35	0511010370	SUPPORT CONTROL VALVE	01
36	0501013648	REGULATOR BODY	01
37	0503010765	3/8" X 3" BOLT	04



Item	Code	Description	QT
00	0501044362	HYDRAULIC CYLINDER	
00A	0501044363	HYDRAULIC CYLINDER	
01	0501063093	RH CYLINDER CASE	01
01A	0501063094	LH CYLINDER CASE	01
02	0501066389	TURNBUCLE	01
03	0502010993	DETACHABLE COVER	01
04	0502010781	RING SUPPORT	01
05	0503010761	D-1750 SCRAPER RING	01
06	0503010990	GASKET	01
07	0503010949	W2-2000-500 PK RING G.E	01
08	0503011060	8-336 BACK-UP RING	01
09	0503010976	2-336 N 3006-9B O'RING	01
10	0503010042	2-214 N 3006-9B O'RING	01
11	0502010843	1.8" X 3.4" PISTON	01
12	0503010170	PACKING 3120 2750	02
13	0503010948	W4-3346-590 PK RING G.E	01
14	0503010063	1" SELF-ALIGNING NUT	01
15	0503010002	GREASE FITTING	02
16	0501031796	HYDRAULIC CYLINDER REPAIR KIT	



MARCHESAN

MARCHESAN IMPLEMENTOS E MÁQUINAS AGRÍCOLAS TATU S.A.

AV. Marchesan, 1979 - Post office box, 131 - CEP 15994-900 - Matão - SP - Brazil

Phone +55 16.3382-8282

(FAX Parts) + 55 16.3382. 8297 - (Export) + 55 16.3382.1003

e.mail: tatu@marchesan.com.br www.marchesan.com.br

*Drafting and Illustration = GASPARI
e.mail = jgaspari@marchesan.com.br*

**ORIGINAL PARTS
TATU**



MARCHESAN

PARTS CATALOG



**ORIGINAL PARTS
TATU**

