

PARTS CATALOG

FRONT LOADER

PD VALMET 885-S MOD. 95 S-0195

Code: 0501091416



Series: S-0195

Review: JANEIRO/95

ORIGINAL PARTS
TATU

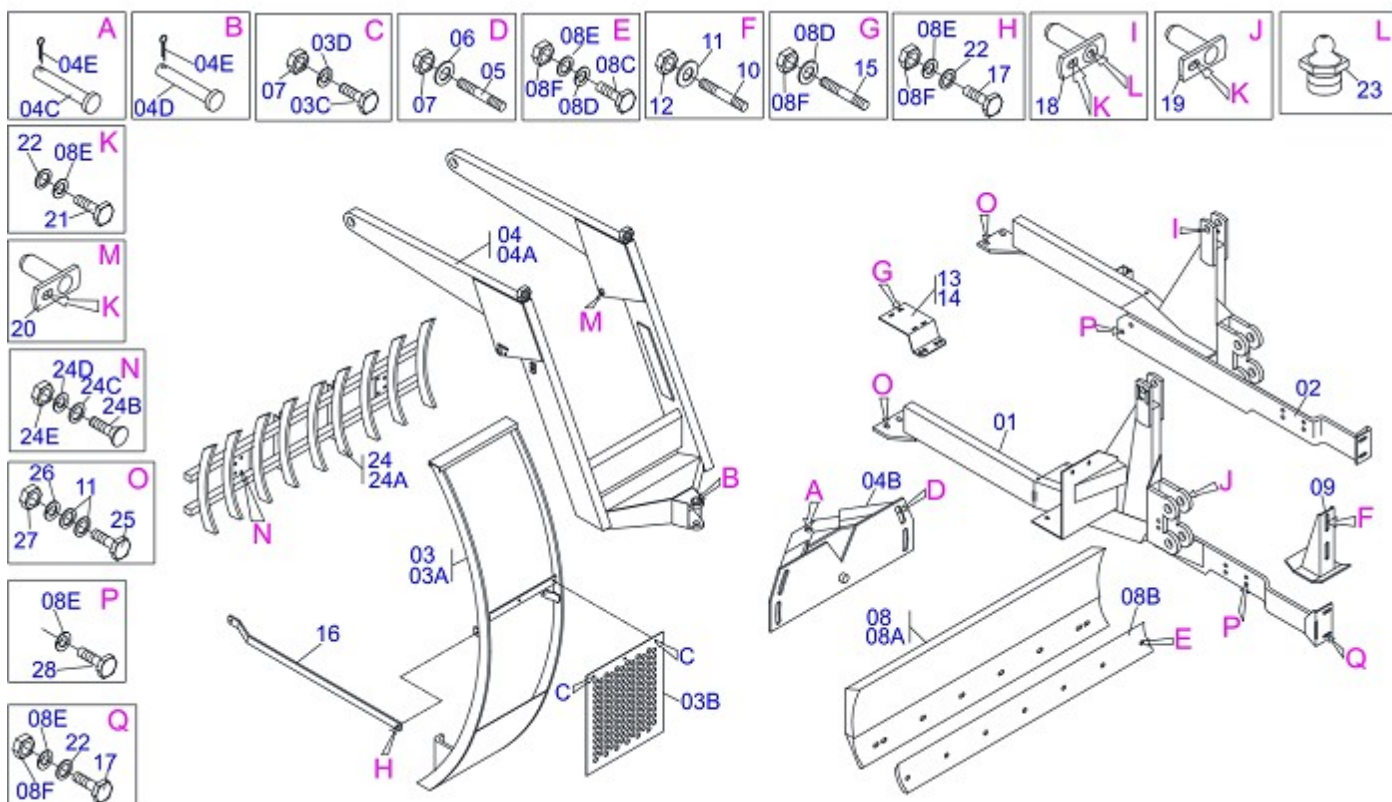


INDEX

0909090352	FRONT LOADER V 885-S	1
0909090353	SHT HYDRAULIC CIRCUIT	2
0909091183	BT HYDRAULIC CIRCUIT	3
0909090273	HYDRAULIC CYLINDER	4

ATTENTION: IMPORTANT

MARCHESAN RESERVES THE RIGHT AT ANY TIME TO MAKE IMPROVEMENTS IN THE DESIGN, MATERIAL OR SPECIFICATIONS OF MACHINERY, EQUIPMENT OR PARTS WITHOUT THEREBY BECOMING LIABLE TO MAKE SIMILAR CHANGES IN MACHINERY, EQUIPMENT OR PARTS PREVIOUSLY SOLD.



Item	Code	Description	QT
01	0501067293	RIGHT FRAME	01
02	0501067294	LEFT FRAME	01
03	0501040970	MOBILE SUPPORT GUIDE ASSY	01
03A	0501063161	MOBILE SUPPORT GUIDE ASSY	01
03B	0501014213	FRONT PROTECTION	01
03C	0503010751	3/8" X 1.1/4" HEX BOLT G.5	03
03D	0501010984	FLAT WASHER	03
03E	0503010026	3/8" NUT	03
04	0501042507	SUPPORT GUIDE ASSY	01
04A	0501063683	MOBILE SUPPORT	01
04B	0501063368	REGULATOR SUPPORT	01
04C	0521010618	1.4" X 8.6" COUPLING SHAFT	01
04D	0521010612	1.4" X 3.5" COUPLING SHAFT	01
04E	0503010010	1/4" X 2.1/2" COTTERPIN	02
05	0501010572	1 UNC X 1 UNS X 76 PRISONER	04
06	0501010574	FLAT WASHER	04
07	0503010340	1" UNF NUT	04
08	0501047707	2000 BLADE SUPPORT	01
08A	0501067998	1990MM BLADE SUPPORT	01
08B	0622360015	2000 SCRAPER REVERSIBLE	01
08C	0501012240	5/8" X 2-1/2" BOLT	07
08D	0501010301	FLAT WASHER	07
08E	0503010027	5/8" SPRING WASHER	07
08F	0503010013	5/8" NUT	21
09	0501063411	ESTABILIZER BRACKET	02
10	0501010571	3/4 NC X 3/4 NF X 56 PRISONER	04
11	0501010322	FLAT WASHER	12
12	0503010014	3/4" NUT	04
13	0501063145	RH FRAME BRACKET	01
14	0501063146	LH FRAME BRACKET	01
15	0501011426	PRISONER 5/8 NC X 5/8 NC X 240	08
16	0511016213	ATTACHMENT BAR	02
17	0501010100	5/8" X 2" BOLT	06

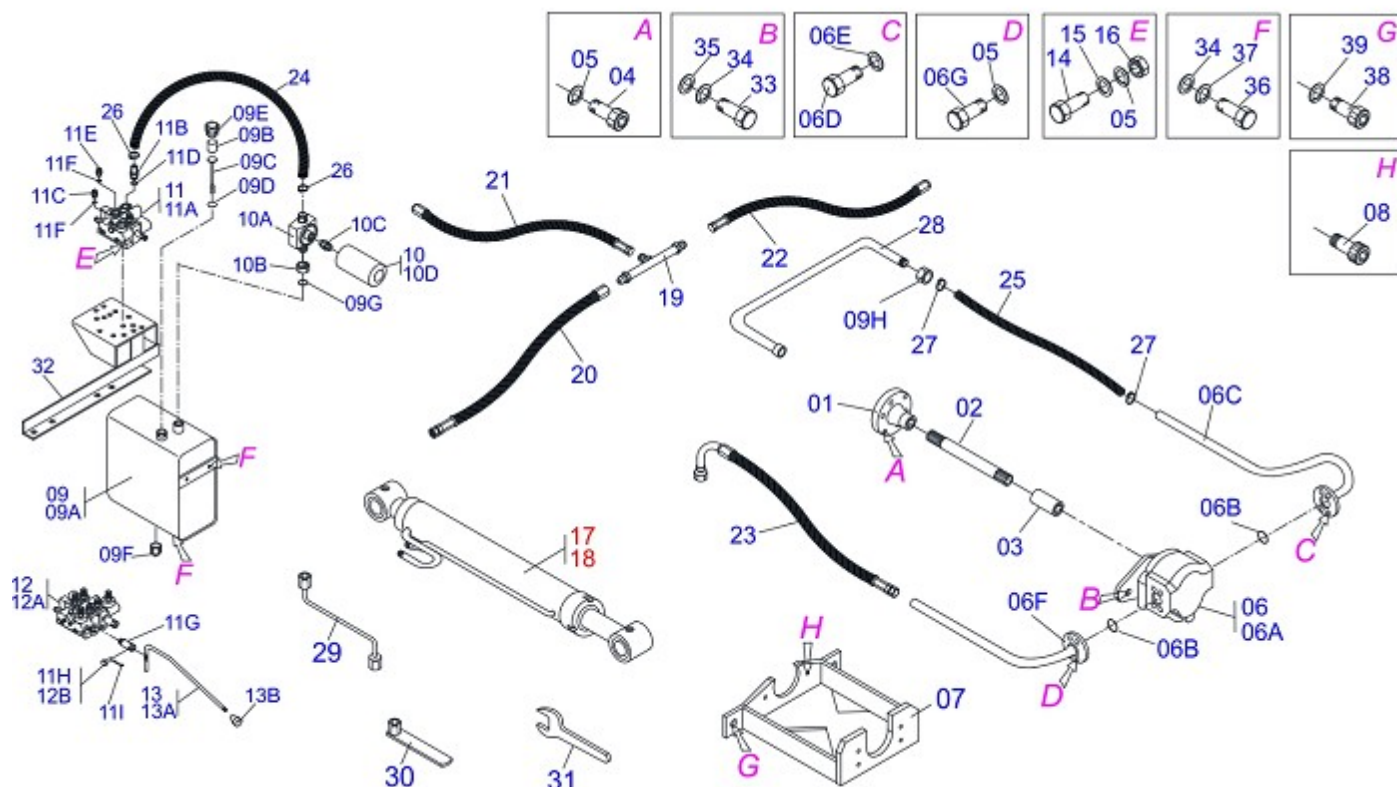


FRONT LOADER V 885-S

0909090352

Item	Code	Description	QT
18	0501063958	1.5" X 4.3" PIVOT SHAFT LOCK	02
19	0501063959	PIVOT SHAFT	02
20	0501063960	37,2 X 130 PIVOT SHAFT LOCK	02
21	0503010962	5/8" X 1-1/4" BOLT	06
22	0501012140	FLAT WASHER	26
23	0503010002	GREASE FITTING	02
24	0108010002	9 TEETH ROOTH RAKER	02
24A	0501060958	9 TEETH ROOTH RAKER	01
24B	0501010276	1" X 3" BOLT	04
24C	0501010623	FLAT WASHER	04
24D	0503010012	1" SPRING WASHER	04
24E	0501010059	1" NUT HEX	04
25	0501010125	3/4" X 2-1/2" BOLT	04
26	0503010023	3/4" SPRING WASHER	04
27	0503010335	3/4" NUT	04
28	0503010148	M16 X 2 X 40 BOLT	14

SHT HYDRAULIC CIRCUIT



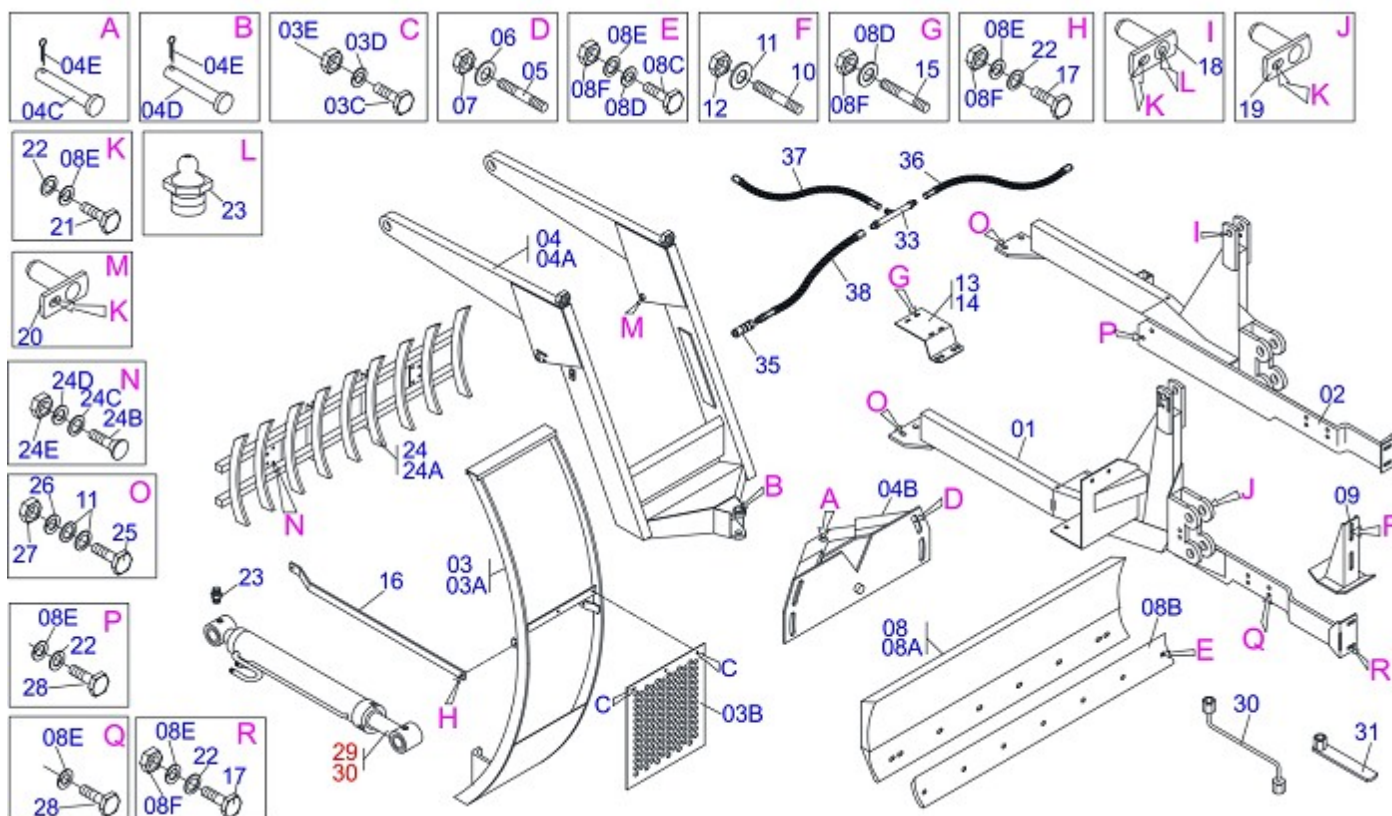
Item	Code	Description	CS	CD
01	0501067327	FLANGE COUPLING	01	01
02	0511062306	613 X 1.1/8" AXLE	01	01
03	0503030838	1-1/8" X 2.4" SLEEVE	01	01
04	0503011313	M8 X 2" BOLT	06	06
05	0503010025	3/8" SPRING WHASHER	10	10
06	0501052844	PUMP WITH TUBE	01	01
06A	0503060045	40L 1/2" PUMP	01	01
06B	0503010173	2-220 N 3006-9B O'RING	02	02
06C	0501063783	PUMP SUCTION TUBE	01	01
06D	0503010355	7/16" X 1" BOLT	04	04
06E	0503010180	7/16" SPRING WASHER	04	04
06F	0501063784	PUMP PRESSURE TUBE	01	01
06G	0503010237	3/8" X 1" HEX BOLT G5	01	01
07	0501069710	PUMP SUPPORT	01	01
08	0503010728	M10 X 1.2" BOLT	02	02
09	0501047807	RESERVOIR OIL ASSY	01	01
09A	0501068880	RESERVOIR OIL	01	01
09B	0502020472	TANK COVER BODY	01	01
09C	0503030044	FILTERING ELEMENT	01	01
09D	0501060975	OIL GAGE	01	01
09E	0503010185	2-221 N 3006-9B O'RING	01	01
09F	0503031604	1/2" BSP PLUG	01	01
09G	0503010046	2-216 N 3006-9B O'RING	01	01
10	0501041108	RETURNING FILTER ASSY	01	01
10A	0502050002	RETURNING FILTER HEAD	01	01
10B	0501010594	1" NUT HEX	01	01
10C	0501010595	1" NF NIPPLE	01	01
10D	0503010183	RETURNING FILTER	01	01
11	0501040871	1/2" COMMAND SIMPLE ASSY	01	
11A	0503060080	1/2" COMMAND SIMPLE	01	
11B	0501010591	HOSE NIPPLE	01	01
11C	0501010589	1-1/16 NIPPLE	01	01
11D	0503010602	2-211 N 3006-9B O'RING	02	02



SHT HYDRAULIC CIRCUIT

0909090353

Item	Code	Description	CS CD
11E	0501010590	7/8" REDUCTION NIPPLE	02 04
11F	0503010045	2-116 N 3006-9B O'RING	02 04
11G	0503030347	UPPER LEVER ASSY (SAUER DANFOSS)	01 02
11H	0501010593	0.3" X 1" X 1/2" X 1.1 PIN	01
11I	0503010140	1/8" X 3/4" COTTERPIN	01 02
12	0501040873	1/2" DOUBLE COMMAND	01
12A	0503060081	1/2" DOUBLE COMMAND	01
12B	0521010532	0.3" X 0.9" COUPLING SHAFT	02
13	0501048023	CONTROL VALVE	03 03
13A	0511060695	CONTROL VALVE	01 01
13B	0503030878	LEVER CRANK	01 01
14	0501010080	3/8" X 1-1/2" BOLT	03 03
15	0501010984	FLAT WASHER	03 03
16	0503010026	3/8" NUT	03 03
17	0501044360	HYDRAULIC CYLINDER	01 01
18	0501044361	HIDRAULIC CYLINDER	01 01
19	0501068942	"T" CONNECTION NIPPLES	02 02
20	0501080109	1/2" X 800 TR-TR HOSE	02 02
21	0501080103	1/2" X 47" TR-TR HOSE ASSY	02 02
22	0501080102	1/2" X 2200 TR-TR HOSE	02 02
23	0501080355	3/4" X 1900 TR-TC HOSE	01 01
24	0501018430	1" X 35.4" TC-TM HOSE ASSY	01 01
25	0501011513	1.1/4" X 1100 AB-ABROSE	01 01
26	0503010184	1-1/4" TO 1-1/2" CLAMP	02 02
27	0503010243	1-1/2" TO 2" CLAMP	02 02
28	0503012733	AUXILIARY TANK TUBE	02 02
29	0501068213	5/8" WRENCH DOUBLE	01 01
30	0501061617	1" WRENCH CYLINDRICAL HEX	01 01
31	0511010153	2-5/16" FIXED WRENCH	01 01
32	0501069824	SUPPORT CONTROL VALVE	01 01
33	0503011082	1/2" X 1.3/4" BOLT	02 02
34	0503010019	1/2" SPRING WASHER	06 06
35	0503010060	1/2" NUT	02 02
36	0501010161	1/2" X 1-1/4" BOLT	04 04
37	0511017302	FLAT WASHER	04 04
38	0503011730	M16 X 2 X 60 BOLT	02 02
39	0503010027	5/8" SPRING WASHER	02 02



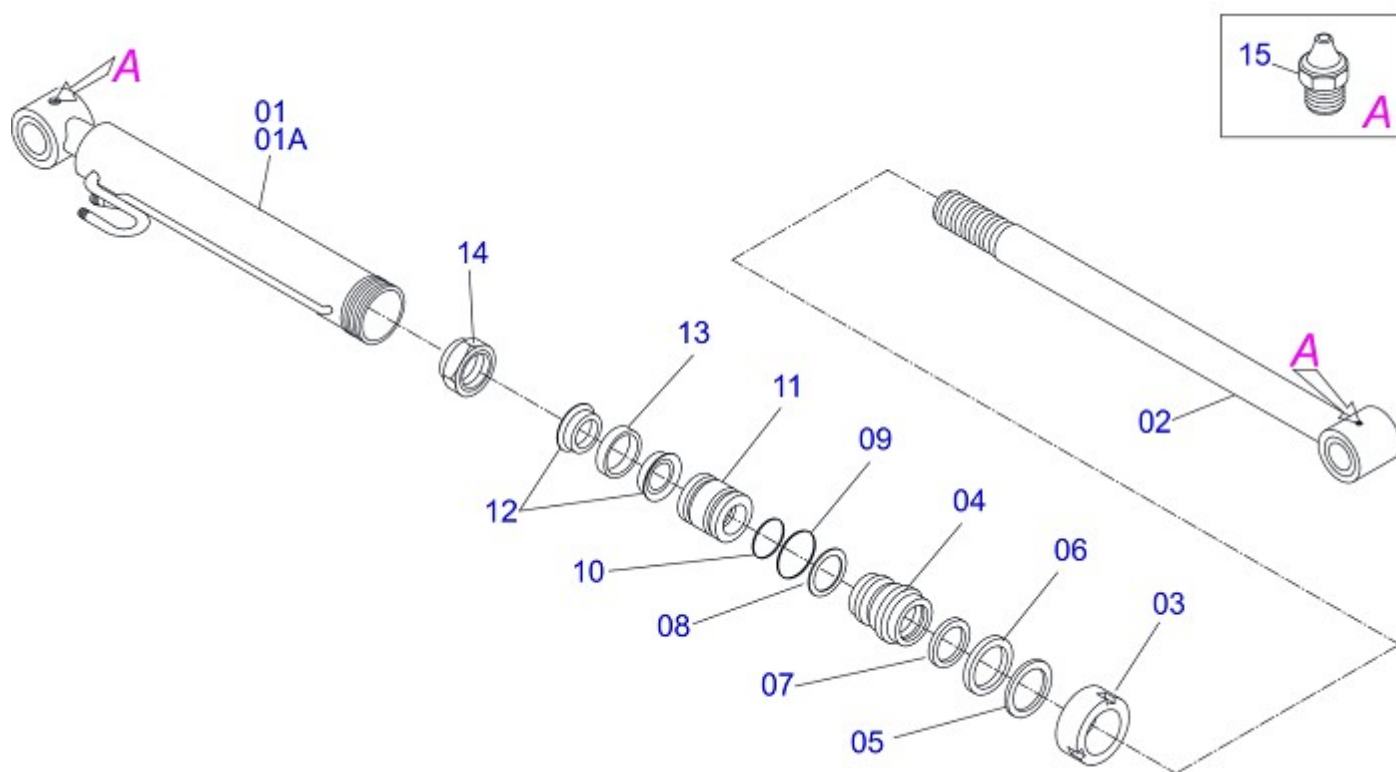
Item	Code	Description	
01	0501067293	RIGHT FRAME	01
02	0501067294	LEFT FRAME	01
03	0501040970	MOBILE SUPPORT GUIDE ASSY	01
03A	0501063161	MOBILE SUPPORT GUIDE ASSY	01
03B	0501014213	FRONT PROTECTION	01
03C	0503010751	3/8" X 1.1/4" HEX BOLT G.5	03
03D	0501010984	FLAT WASHER	03
03E	0503010026	3/8" NUT	03
04	0501042507	SUPPORT GUIDE ASSY	01
04A	0501063368	REGULATOR SUPPORT	01
04C	0521010618	1.4" X 8.6" COUPLING SHAFT	01
04D	0521010612	1.4" X 3.5" COUPLING SHAFT	01
04E	0503010010	1/4" X 2.1/2" COTTERPIN	02
05	0501010572	1 UNC X 1 UNS X 76 PRISONER	04
06	0501010574	FLAT WASHER	04
07	0503010340	1" UNF NUT	04
08	0501047707	2000 BLADE SUPPORT	01
08A	0501067998	1990MM BLADE SUPPORT	01
08B	0622360015	2000 SCRAPER REVERSIBLE	01
08C	0501012240	5/8" X 2-1/2" BOLT	07
08D	0501010301	FLAT WASHER	07
08E	0503010027	5/8" SPRING WASHER	33
08F	0503010013	5/8" NUT	21
09	0501063411	ESTABILIZER BRACKET	02
10	0501010571	3/4 NC X 3/4 NF X 56 PRISONER	04
11	0501010322	FLAT WASHER	12
12	0503010014	3/4" NUT	04
13	0501063145	RH FRAME BRACKET	01
14	0501063146	LH FRAME BRACKET	01
15	0501011426	PRISONER 5/8 NC X 5/8 NC X 240	08
16	0511016213	ATTACHMENT BAR	02
17	0501010100	5/8" X 2" BOLT	06
18	0501063958	1.5" X 4.3" PIVOT SHAFT LOCK	02



BT HYDRAULIC CIRCUIT

0909091183

Item	Code	Description	
19	0501063959	PIVOT SHAFT	02
20	0501063960	37,2 X 130 PIVOT SHAFT LOCK	02
21	0503010962	5/8" X 1-1/4" BOLT	06
22	0501012140	FLAT WASHER	26
23	0503010002	GREASE FITTING	02
24	0108010002	9 TEETH ROTH RAKER	02
24A	0501060958	9 TEETH ROTH RAKER	01
24B	0501010276	1" X 3" BOLT	04
24C	0501010623	FLAT WASHER	04
24D	0503010012	1" SPRING WASHER	04
24E	0501010059	1" NUT HEX	04
25	0501010125	3/4" X 2-1/2" BOLT	04
26	0503010023	3/4" SPRING WASHER	04
27	0503010335	3/4" NUT	04
28	0503010148	M16 X 2 X 40 BOLT	14
29	0501044360	HYDRAULIC CYLINDER	01
30	0501044361	HIDRAULIC CYLINDER	01
31	0501068213	5/8" WRENCH DOUBLE	01
32	0501061617	1" WRENCH CYLINDRICAL HEX	01
33	0501068942	"T" CONNECTION NIPPLES	02
34	0511014065	7/8" NF X R1/2NPT X 52 NIPPLE	02
35	0501053834	QUICK CONECTION (MALE) 1/2NPT	02
36	0501080103	1/2" X 47" TR-TR HOSE ASSY	02
37	0501080102	1/2" X 2200 TR-TR HOSE	02
38	0501080269	1/2 X 3000 TR-TC HOSE ASSY	02



Item	Code	Description	QT
00	0501044360	HYDRAULIC CYLINDER	
00A	0501044361	HIDRAULIC CYLINDER	
01	0501061857	85,70 X 483 CYLINDER CASE	01
01A	0501062108	CYLINDER CASE	01
02	0501069048	44,45 X 648 TURNBUCLE	02
03	0502010993	DETACHABLE COVER	01
04	0502010781	RING SUPPORT	01
05	0503010761	D-1750 SCRAPER RING	01
06	0503010990	GASKET	01
07	0503010949	W2-2000-500 PK RING G.E	01
08	0503011060	8-336 BACK-UP RING	01
09	0503010976	2-336 N 3006-9B O'RING	01
10	0503010042	2-214 N 3006-9B O'RING	01
11	0502010843	1.8" X 3.4" PISTON	01
12	0503010170	PACKING 3120 2750	02
13	0503010948	W4-3346-590 PK RING G.E	01
14	0503010063	1" SELF-ALIGNING NUT	01
15	0503010002	GREASE FITTING	02
16	0501031796	HYDRAULIC CYLINDER REPAIR KIT	



MARCHESAN

MARCHESAN IMPLEMENTOS E MÁQUINAS AGRÍCOLAS TATU S.A.

AV. Marchesan, 1979 - Post office box, 131 - CEP 15994-900 - Matão - SP - Brazil

Phone +55 16.3382-8282

(FAX Parts) + 55 16.3382. 8297 - (Export) + 55 16.3382.1003

e.mail: tatu@marchesan.com.br www.marchesan.com.br

*Drafting and Illustration = GASPARI
e.mail = jgaspari@marchesan.com.br*

**ORIGINAL PARTS
TATU**



MARCHESAN