

# PARTS CATALOG

## FRONT LOADER

PD VALMET

880-4/885-4/980-4/985-4 S-0195

Code: 0501091415



Series: S-0195

Review: JANEIRO/95

ORIGINAL PARTS  
TATU

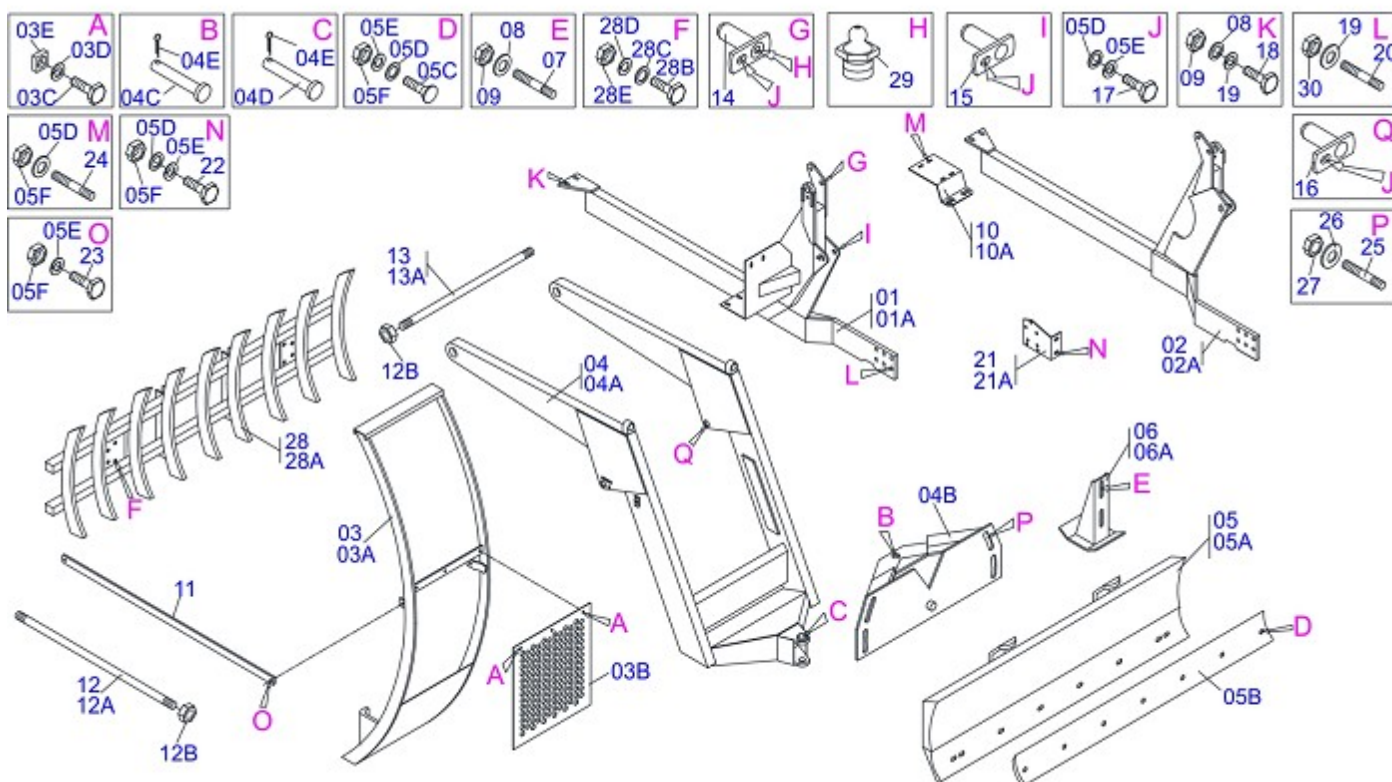


# INDEX

|            |                                    |       |   |
|------------|------------------------------------|-------|---|
| 0909090263 | FRONT LOADER V 880-4 - 985-4S      | ..... | 1 |
| 0909090264 | HYDRAULIC CIRCUIT V 880-4 - 985-4S | ..... | 2 |
| 0909090269 | HYDRAULIC CYLINDER                 | ..... | 3 |

**ATTENTION: IMPORTANT**

MARCHESAN RESERVES THE RIGHT AT ANY TIME TO MAKE IMPROVEMENTS IN THE DESIGN, MATERIAL OR SPECIFICATIONS OF MACHINERY, EQUIPMENT OR PARTS WITHOUT THEREBY BECOMING LIABLE TO MAKE SIMILAR CHANGES IN MACHINERY, EQUIPMENT OR PARTS PREVIOUSLY SOLD.



| Item | Code       | Description                   | 880-4/885-4/980-4/985-4/985-4S |    |    |    |    |  |
|------|------------|-------------------------------|--------------------------------|----|----|----|----|--|
| 01   | 0501066673 | RIGHT FRAME                   | 01                             | 01 | 01 |    |    |  |
| 01A  | 0501066668 | RIGHT FRAME                   |                                |    | 01 | 01 |    |  |
| 02   | 0501066674 | RH FRAME                      | 01                             | 01 | 01 |    |    |  |
| 02A  | 0501066670 | LEFT FRAME                    |                                |    | 01 | 01 |    |  |
| 03   | 0501041796 | MOBILE SUPPORT GUIDE ASSY     | 01                             | 01 | 01 | 01 | 01 |  |
| 03A  | 0501063133 | MOBILE SUPPORT GUIDE          | 01                             | 01 | 01 | 01 | 01 |  |
| 03B  | 0501014687 | FRONT PROTECTION              | 01                             | 01 | 01 | 01 | 01 |  |
| 03C  | 0503010751 | 3/8" X 1.1/4" HEX BOLT G.5    | 03                             | 03 | 03 | 03 | 03 |  |
| 03D  | 0501010984 | FLAT WASHER                   | 03                             | 03 | 03 | 03 | 03 |  |
| 03E  | 0501011338 | 3/8" SQUARE NUT               | 03                             | 03 | 03 | 03 | 03 |  |
| 04   | 0501044604 | MOBILE SUPPORT ASSY           | 01                             | 01 | 01 | 01 | 01 |  |
| 04A  | 0501066834 | MOBILE SUPPORT                | 01                             | 01 | 01 | 01 | 01 |  |
| 04B  | 0501062637 | 5/8" REGULATOR SUPPORT        | 01                             | 01 | 01 | 01 | 01 |  |
| 04C  | 0521010618 | 1.4" X 8.6" COUPLING SHAFT    | 01                             | 01 | 01 | 01 | 01 |  |
| 04D  | 0521010612 | 1.4" X 3.5" COUPLING SHAFT    | 01                             | 01 | 01 | 01 | 01 |  |
| 04E  | 0503010010 | 1/4" X 2.1/2" COTTERPIN       | 02                             | 02 | 02 | 02 | 02 |  |
| 05   | 0501047708 | 2400 BLADE SUPPORT            | 01                             | 01 | 01 | 01 | 01 |  |
| 05A  | 0501067999 | 2390 BLADE SUPPORT            | 01                             | 01 | 01 | 01 | 01 |  |
| 05B  | 0622360016 | 94.5" SCRAPER REVERSIBLE      | 01                             | 01 | 01 | 01 | 01 |  |
| 05C  | 0501012240 | 5/8" X 2-1/2" BOLT            | 08                             | 08 | 08 | 08 | 08 |  |
| 05D  | 0501010301 | FLAT WASHER                   | 16                             | 16 | 16 | 16 | 16 |  |
| 05E  | 0503010027 | 5/8" SPRING WASHER            | 16                             | 16 | 16 | 16 | 16 |  |
| 05F  | 0503010013 | 5/8" NUT                      | 20                             | 20 | 20 | 20 | 20 |  |
| 06   | 0501063411 | ESTABILIZER BRACKET           | 20                             | 20 | 20 | 20 | 20 |  |
| 07   | 0501010571 | 3/4 NC X 3/4 NF X 56 PRISONER | 04                             | 04 | 04 | 04 | 04 |  |
| 08   | 0501010322 | FLAT WASHER                   | 12                             | 12 | 12 | 12 | 12 |  |
| 09   | 0503010014 | 3/4" NUT                      | 04                             | 04 | 04 | 04 | 04 |  |
| 10   | 0501063145 | RH FRAME BRACKET              | 01                             | 01 | 01 | 01 | 01 |  |
| 10A  | 0501063146 | LH FRAME BRACKET              | 01                             | 01 | 01 | 01 | 01 |  |
| 11   | 0501014639 | ATTACHMENT BAR                | 02                             | 02 | 02 |    |    |  |
| 11A  | 0521012699 | ATTACHMENT BAR                |                                |    | 02 | 02 |    |  |
| 12   | 0501041427 | 1.1/4" NC X 1540 ROD          | 02                             | 02 | 02 | 02 | 02 |  |
| 12A  | 0501014250 | 1.1/4" X 1540 ROD             | 02                             | 02 | 02 | 02 | 02 |  |

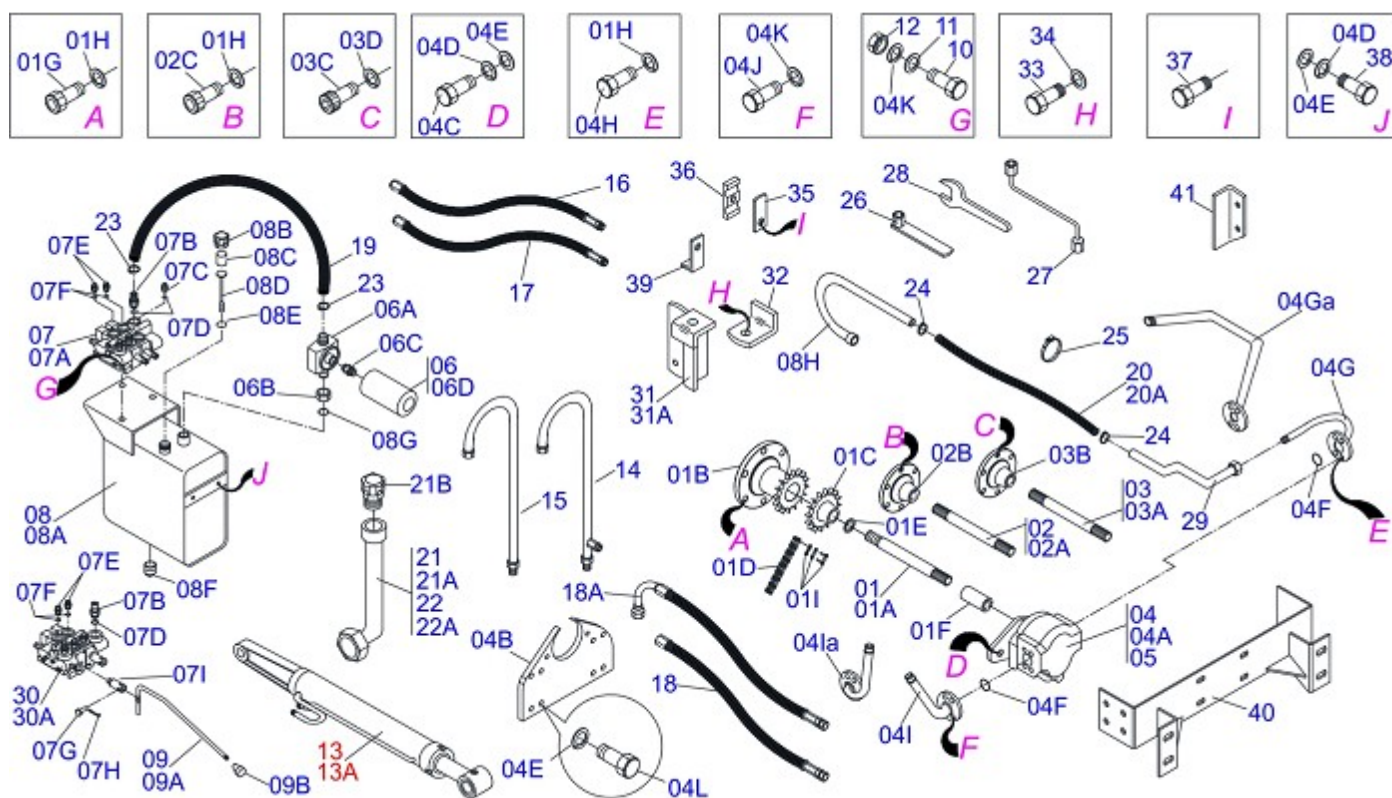


FRONT LOADER V 880-4 - 985-4S

0909090263

| Item | Code       | Description                  | 880-4/885-4/980-4/985-4/985-4S |    |    |    |    |
|------|------------|------------------------------|--------------------------------|----|----|----|----|
| 12B  | 0501010087 | 1.1/4" UNC NUT               | 04                             | 04 | 04 | 04 | 04 |
| 13   | 0501041849 | 1.1/4" NC X 910 ROD          | 01                             | 01 | 01 | 01 | 01 |
| 13A  | 0501014914 | 1.1/4" X 910 ROD             | 01                             | 01 | 01 | 01 | 01 |
| 14   | 0501063751 | 1.5" X 5.5" PIVOT SHAFT      | 02                             | 02 | 02 | 02 | 02 |
| 15   | 0501063958 | 1.5" X 4.3" PIVOT SHAFT LOCK | 02                             | 02 | 02 | 02 | 02 |
| 16   | 0501063959 | PIVOT SHAFT                  | 02                             | 02 | 02 | 02 | 02 |
| 17   | 0503010962 | 5/8" X 1-1/4" BOLT           | 06                             | 06 | 06 | 06 | 06 |
| 18   | 0501010125 | 3/4" X 2-1/2" BOLT           | 04                             | 04 | 04 | 04 | 04 |
| 19   | 0503010023 | 3/4" SPRING WASHER           | 20                             | 20 | 20 | 20 | 20 |
| 20   | 0501010603 | PRISONER M20 X 3/4 UNF X 95  | 01                             | 01 | 01 | 01 | 01 |
| 21   | 0501014637 | GUIDE SUPPORT                | 01                             | 01 | 01 |    |    |
| 21A  | 0501014638 | LH GUIDE SUPPORT             | 01                             | 01 | 01 |    |    |
| 22   | 0501010100 | 5/8" X 2" BOLT               | 04                             | 04 | 04 |    |    |
| 23   | 0503011267 | 5/8" X 1.1/2" BOLT           | 04                             | 04 | 04 |    |    |
| 24   | 0501011528 | PRISONER 5/8 X 5/8 X 240     | 08                             | 08 | 08 |    |    |
| 25   | 0501010572 | 1 UNC X 1 UNS X 76 PRISONER  | 04                             | 04 | 04 |    |    |
| 26   | 0501010574 | FLAT WASHER                  | 04                             | 04 | 04 |    |    |
| 27   | 0503010340 | 1" UNF NUT                   | 04                             | 04 | 04 |    |    |
| 28   | 0108010002 | 9 TEETH ROOTH RAKER          | 01                             | 01 | 01 | 01 | 01 |
| 28A  | 0501060958 | 9 TEETH ROOTH RAKER          | 01                             | 01 | 01 | 01 | 01 |
| 28B  | 0501010276 | 1" X 3" BOLT                 | 04                             | 04 | 04 | 04 | 04 |
| 28C  | 0501010623 | FLAT WASHER                  | 18                             | 18 | 18 | 18 | 18 |
| 28D  | 0503010012 | 1" SPRING WASHER             | 04                             | 04 | 04 | 04 | 04 |
| 28E  | 0503010059 | 33287/33462 ROLLER BEARING   | 04                             | 04 | 04 | 04 | 04 |
| 29   | 0503010002 | GREASE FITTING               | 02                             | 02 | 02 | 02 | 02 |
| 30   | 0503010335 | 3/4" NUT                     | 12                             | 12 | 12 | 12 | 12 |
| 31   | 0511014400 | BEATER CENTRAL               | 02                             | 02 | 02 | 02 | 02 |





| Item | Code       | Description                    | 880-4 | 885-4 | 980-4 | 985-4 | 985-4S |
|------|------------|--------------------------------|-------|-------|-------|-------|--------|
| 01   | 0501049400 | COUPLING ASSY                  | 01    | 01    | 01    |       |        |
| 01A  | 0511061356 | 390 X 7/8" UNC AXLE            | 01    | 01    | 01    |       |        |
| 01B  | 0503050026 | FLANGE WITH GEAR               | 01    | 01    | 01    |       |        |
| 01C  | 0503050075 | GEAR 16Z                       | 01    | 01    | 01    |       |        |
| 01D  | 0503010455 | 50-2 CHAIN X 15 LINK + MENDING | 01    | 01    | 01    |       |        |
| 01E  | 0501010890 | FLANGE WASHER                  | 01    | 01    | 01    |       |        |
| 01F  | 0503030838 | 1-1/8" X 2.4" SLEEVE           | 01    | 01    | 01    |       |        |
| 01G  | 0503010729 | M10 X 1" BOLT                  | 06    | 06    | 06    |       |        |
| 01H  | 0503010180 | 7/16" SPRING WASHER            | 13    | 13    | 13    |       |        |
| 01I  | 0503010560 | AMENDMENT WITH LOCK            | 01    | 01    | 01    |       |        |
| 02   | 0501047781 | COUPLING ASSY                  |       |       | 01    |       |        |
| 02A  | 0501068923 | 480 X 1.1/8" AXLE              |       |       | 01    |       |        |
| 02B  | 0501067343 | COUPLING FLANGE                |       |       | 01    |       |        |
| 02C  | 0503010728 | M10 X 1.2" BOLT                |       |       | 06    |       |        |
| 03   | 0501047542 | COUPLING ASSY                  |       |       |       | 01    |        |
| 03A  | 0501068921 | 500 X 1.1/8" AXLE              |       |       |       | 01    |        |
| 03B  | 0501067327 | FLANGE COUPLING                |       |       |       | 01    |        |
| 03C  | 0503011313 | M8 X 2" BOLT                   |       |       |       | 06    |        |
| 03D  | 0503010179 | 5/16" SPRING WASHER            |       |       |       | 06    |        |
| 04   | 0501041798 | PUMP GEAR ASSY                 | 01    | 01    | 01    |       |        |
| 04A  | 0503060045 | 40L 1/2" PUMP                  | 01    | 01    | 01    |       |        |
| 04B  | 0501014609 | PUMP SUPPORT                   | 01    | 01    | 01    |       |        |
| 04C  | 0503010920 | 1/2" X 1.1/2" BOLT             | 02    | 02    | 02    |       |        |
| 04D  | 0511017302 | FLAT WASHER                    | 02    | 02    | 02    |       |        |
| 04E  | 0503010019 | 1/2" SPRING WASHER             | 06    | 06    | 06    |       |        |
| 04F  | 0503010173 | 2-220 N 3006-9B O'RING         | 02    | 02    | 02    |       |        |
| 04G  | 0511061352 | PUMP SUCTION TUBE              | 01    | 01    | 01    | 01    |        |
| 04Ga | 0501064206 | PUMP SUCTION TUBE              |       |       |       | 01    |        |
| 04H  | 0503010355 | 7/16" X 1" BOLT                | 02    | 02    | 02    | 02    | 02     |
| 04I  | 0501069712 | PUMP PRESSURE TUBE             |       | 01    |       |       |        |
| 04Ia | 0501063137 | PUMP PRESSURE TUBE             | 01    |       | 01    |       |        |
| 04J  | 0503010237 | 3/8" X 1" HEX BOLT G5          | 04    | 04    | 04    | 04    | 04     |
| 04K  | 0503010025 | 3/8" SPRING WHASHER            | 04    | 04    | 04    | 04    | 04     |



## HYDRAULIC CIRCUIT V 880-4 - 985-4S

0909090264

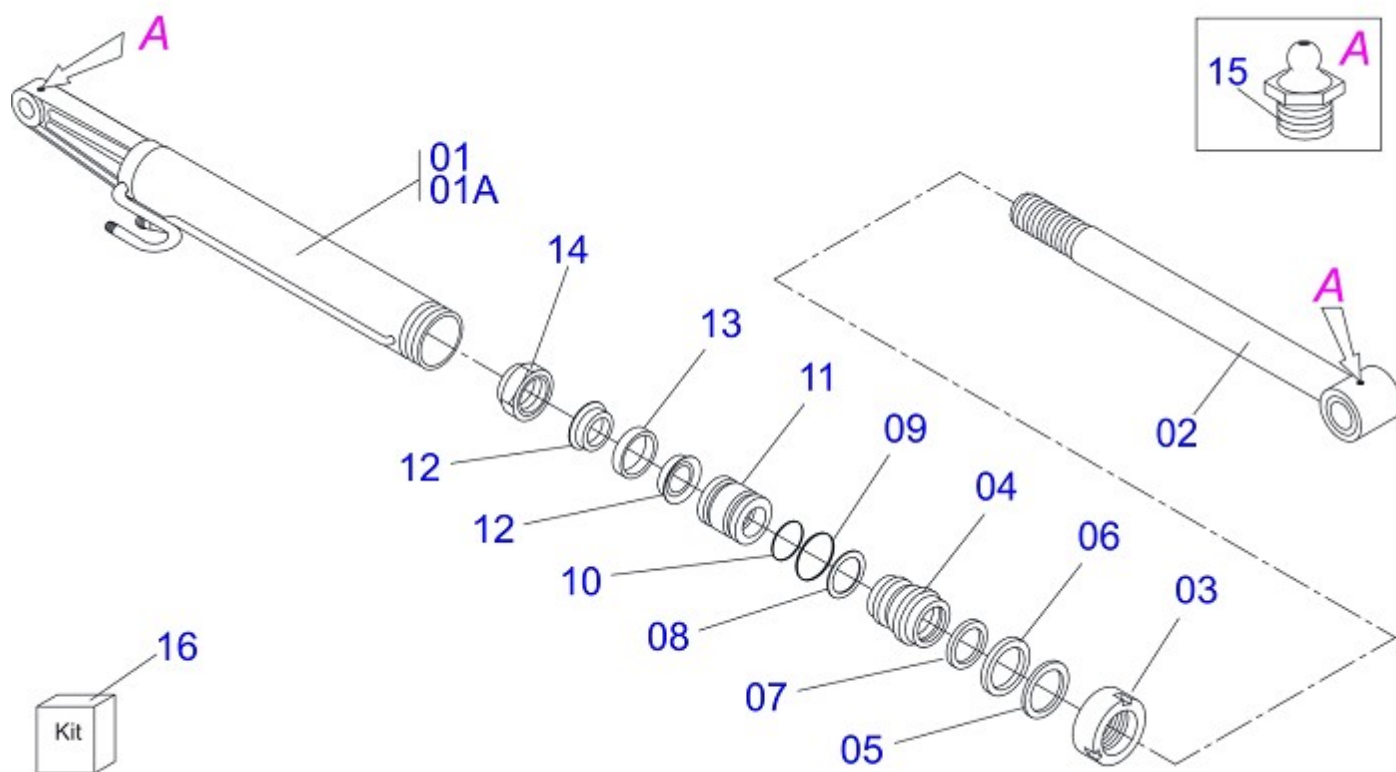
| Item | Code       | Description                      | 880-4 | 885-4 | 980-4 | 985-4 | 985-4S |
|------|------------|----------------------------------|-------|-------|-------|-------|--------|
| 05   | 0501052589 | PUMP WITH TUBE                   |       |       |       | 01    |        |
| 06   | 0501041108 | RETURNING FILTER ASSY            | 01    | 01    | 01    | 01    | 01     |
| 06A  | 0502050002 | RETURNING FILTER HEAD            | 01    | 01    | 01    | 01    | 01     |
| 06B  | 0501010594 | 1" NUT HEX                       | 01    | 01    | 01    | 01    | 01     |
| 06C  | 0501010595 | 1" NF NIPPLE                     | 01    | 01    | 01    | 01    | 01     |
| 06D  | 0503010183 | RETURNING FILTER                 | 01    | 01    | 01    | 01    | 01     |
| 07   | 0501040871 | 1/2" COMMAND SIMPLE ASSY         | 01    | 01    | 01    | 01    | 01     |
| 07A  | 0503060080 | 1/2" COMMAND SIMPLE              | 01    | 01    | 01    | 01    | 01     |
| 07B  | 0501010591 | HOSE NIPPLE                      | 02    | 02    | 02    | 02    | 02     |
| 07C  | 0501010589 | 1-1/16 NIPPLE                    | 02    | 02    | 02    | 02    | 02     |
| 07D  | 0503010602 | 2-211 N 3006-9B O'RING           | 02    | 02    | 02    | 02    | 02     |
| 07E  | 0501010590 | 7/8" REDUCTION NIPPLE            | 06    | 06    | 06    | 06    | 06     |
| 07F  | 0503010045 | 2-116 N 3006-9B O'RING           | 06    | 06    | 06    | 06    | 06     |
| 07G  | 0521010533 | 0.3" X 1" COUPLING SHAFT         | 01    | 01    | 01    | 01    | 01     |
| 07H  | 0503010140 | 1/8" X 3/4" COTTERPIN            | 01    | 01    | 01    | 01    | 01     |
| 07I  | 0503030347 | UPPER LEVER ASSY (SAUER DANFOSS) | 01    | 01    | 01    | 01    | 01     |
| 08   | 0501047808 | RESERVOIR OIL ASSY               | 01    | 01    | 01    | 01    | 01     |
| 08A  | 0501068882 | RESERVOIR OIL                    | 01    | 01    | 01    | 01    | 01     |
| 08B  | 0502020549 | TANK COVER                       | 02    | 02    | 02    | 02    | 02     |
| 08C  | 0503030044 | FILTERING ELEMENT                | 01    | 01    | 01    | 01    | 01     |
| 08D  | 0501060975 | OIL GAGE                         | 01    | 01    | 01    | 01    | 01     |
| 08E  | 0503010185 | 2-221 N 3006-9B O'RING           | 01    | 01    | 01    | 01    | 01     |
| 08F  | 0503010123 | 1/2" BSPT PLUG                   | 01    | 01    | 01    | 01    | 01     |
| 08G  | 0503010046 | 2-216 N 3006-9B O'RING           | 01    | 01    | 01    | 01    | 01     |
| 08H  | 0501063383 | TANK OUTER TUBE                  | 01    | 01    | 01    | 01    | 01     |
| 09   | 0501047852 | CONTROL VALVE (PD V 118 SHT)     | 01    | 01    | 01    | 01    | 01     |
| 09A  | 0501069069 | CONTROL VALVE (V 985-4/AX 4.75)  | 01    | 01    | 01    | 01    | 01     |
| 09B  | 0503030878 | LEVER CRANK                      | 01    | 01    | 01    | 01    | 01     |
| 10   | 0501010080 | 3/8" X 1-1/2" BOLT               | 03    | 03    | 03    | 03    | 03     |
| 11   | 0501010984 | FLAT WASHER                      | 03    | 03    | 03    | 03    | 03     |
| 12   | 0503010026 | 3/8" NUT                         | 03    | 03    | 03    | 03    | 03     |
| 13   | 0501040161 | RIGHT HYDRAULIC CYLINDER         | 01    | 01    | 01    | 01    | 01     |
| 13A  | 0501040162 | LEFT HYDRAULIC CYLINDER          | 01    | 01    | 01    | 01    | 01     |
| 14   | 0501068945 | CURVED CONNECTION                | 02    | 02    | 02    | 02    | 02     |
| 15   | 0501064350 | VALVE PRESSURE TUBE              | 01    | 01    | 01    | 01    | 01     |
| 16   | 0501080021 | 1/2" X 51" TR-TR HOSE ASSY       | 02    | 02    | 02    | 02    | 02     |
| 17   | 0501080336 | 1/2" X 2450 TR-TR HOSE           | 02    | 02    | 02    | 02    | 02     |
| 18   | 0501080337 | 3/4 X 2500 TR-TR HOSE ASSY       | 01    | 01    | 01    | 01    | 01     |
| 18A  | 0501080560 | 3/4" X 106.299" HOSE HOLDER ASSY | 01    | 01    | 01    | 01    | 01     |
| 19   | 0501010610 | 1" X 800 AB-AB HOSE              | 01    | 01    | 01    | 01    | 01     |
| 20   | 0511019736 | 1-1/4" X 68.9" AB-AB HOSE        | 01    | 01    | 01    |       |        |
| 20A  | 0521016105 | 1.1/4" X 2300 AB-AB HOSE ASSY    |       |       | 01    | 01    |        |
| 21   | 0501043022 | TANK COVER PROTRACTOR TRACTOR    | 01    |       |       |       |        |
| 21A  | 0501063065 | TANK COVER TUBE                  | 01    |       |       |       |        |
| 21B  | 0502020473 | COVER TUBE                       | 01    | 01    | 01    | 01    | 01     |
| 22   | 0511041980 | TANK COVER PROTRACTOR TRACTOR    |       |       | 01    |       |        |
| 22A  | 0511064784 | TANK DIESEL EXTENSION            |       |       | 01    |       |        |
| 23   | 0503010184 | 1-1/4" TO 1-1/2" CLAMP           | 02    | 02    | 02    | 02    | 02     |
| 24   | 0503010243 | 1-1/2" TO 2" CLAMP               | 02    | 02    | 02    | 02    | 02     |
| 25   | 0503010246 | 2" TO 2-1/2" CLAMP               | 01    | 01    | 01    | 01    | 01     |
| 26   | 0501061617 | 1" WRENCH CYLINDRICAL HEX        | 01    | 01    | 01    | 01    | 01     |
| 27   | 0501068213 | 5/8" WRENCH DOUBLE               | 01    | 01    | 01    | 01    | 01     |
| 28   | 0511010153 | 2-5/16" FIXED WRENCH             | 01    | 01    | 01    | 01    | 01     |
| 29   | 0501063134 | SUCTION TUBE                     | 01    | 01    | 01    |       |        |
| 30   | 0501040873 | 1/2" DOUBLE COMMAND              | 01    | 01    | 01    | 01    | 01     |
| 30A  | 0503060081 | 1/2" DOUBLE COMMAND              | 01    | 01    | 01    | 01    | 01     |
| 31   | 0501067325 | LH PUMP SUPPORT FIXER            | 01    | 01    | 01    | 01    | 01     |
| 31A  | 0501067326 | RIGHT PUMP SUPPORT FIXER         | 01    | 01    | 01    | 01    | 01     |
| 32   | 0511016367 | SUPPORT FIXER CLAMP              | 02    | 02    | 02    | 02    | 02     |
| 33   | 0511016281 | 3/4" X 8" BOLT                   | 02    | 02    | 02    | 02    | 02     |
| 34   | 0501010574 | FLAT WASHER                      | 04    | 04    | 04    | 04    | 04     |
| 35   | 0501014640 | HOSE ASSY PROTECCION SHEET       | 01    | 01    | 01    |       |        |



HYDRAULIC CIRCUIT V 880-4 - 985-4S

0909090264

| Item | Code       | Description                  | 880-4 | 885-4 | 980-4 | 985-4 | 985-4S |
|------|------------|------------------------------|-------|-------|-------|-------|--------|
| 36   | 0502040291 | LOWER BODY CLIP              | 01    | 01    | 01    | 01    | 01     |
| 37   | 0501010096 | 3/8" X 2" BOLT               | 01    | 01    | 01    | 01    | 01     |
| 38   | 0503010834 | 1/2" X 1" BOLT               | 04    | 04    | 04    | 04    | 04     |
| 39   | 0521016106 | HOSE ASSY FIXER SUPPORT      |       |       | 01    | 01    |        |
| 40   | 0511061457 | FRONTAL SUPPORT              | 01    |       | 01    | 01    |        |
| 41   | 0501063958 | 1.5" X 4.3" PIVOT SHAFT LOCK | 02    | 02    | 02    | 02    | 02     |
| 42   | 0501063959 | PIVOT SHAFT                  | 02    | 02    | 02    | 02    | 02     |
| 43   | 0501063751 | 1.5" X 5.5" PIVOT SHAFT      | 02    | 02    | 02    | 02    | 02     |



| Item | Code       | Description                   |    |
|------|------------|-------------------------------|----|
| 00   | 0501040161 | RIGHT HYDRAULIC CYLINDER      |    |
| 00A  | 0501040162 | LEFT HYDRAULIC CYLINDER       |    |
| 01   | 0501063658 | RH 101,6 X 472 CYLINDER CASE  | 01 |
| 01A  | 0501063659 | LH 101,6 X 472 CYLINDER CASE  | 01 |
| 02   | 0501068966 | HYDRAULIC CYLINDER TURNBUCKLE | 01 |
| 03   | 0502010017 | 4" HEAD                       | 01 |
| 04   | 0502010778 | 2" X 4.2" RING SUPPORT        | 01 |
| 05   | 0503010039 | D-2000 SCRAPER RING           | 01 |
| 06   | 0503010991 | PACKING 1870-2000-375-B       | 01 |
| 07   | 0503010952 | W2-2250-500 PK RING G.E       | 01 |
| 08   | 0503011061 | 8-342 BACK-UP RING            | 01 |
| 09   | 0503010338 | 2-342 N 3006-9B O'RING        | 01 |
| 10   | 0503010345 | 2-218 N 3006-9B O'RING        | 01 |
| 11   | 0502010992 | 2.0" X 4.0" PISTON            | 01 |
| 12   | 0503010043 | PACKING 3750-3250             | 02 |
| 13   | 0503010994 | W2-4000-500 PK RING G.E       | 01 |
| 14   | 0503010817 | 1.1/4" UNF SELF ADJUSTING NUT | 01 |
| 15   | 0503010002 | GREASE FITTING                | 02 |
| 16   | 0501031799 | HYDRAULIC CYLINDER REPAIR KIT | 01 |







**MARCHESAN**

**MARCHESAN IMPLEMENTOS E MÁQUINAS AGRÍCOLAS TATU S.A.**

AV. Marchesan, 1979 - Post office box, 131 - CEP 15994-900 - Matão - SP - Brazil

Phone +55 16.3382-8282

(FAX Parts) + 55 16.3382. 8297 - (Export) + 55 16.3382.1003

e.mail: [tatu@marchesan.com.br](mailto:tatu@marchesan.com.br)    [www.marchesan.com.br](http://www.marchesan.com.br)

*Drafting and Illustration = GASPARI  
e.mail = [jgaspari@marchesan.com.br](mailto:jgaspari@marchesan.com.br)*

**ORIGINAL PARTS  
TATU**



**MARCHESAN**