

# PARTS CATALOG

## FRONT LOADER

### PD VALMET 880/980 S-0690

Code: 0501091414



Series: S-0690

Review: JUNHO/90

ORIGINAL PARTS  
TATU

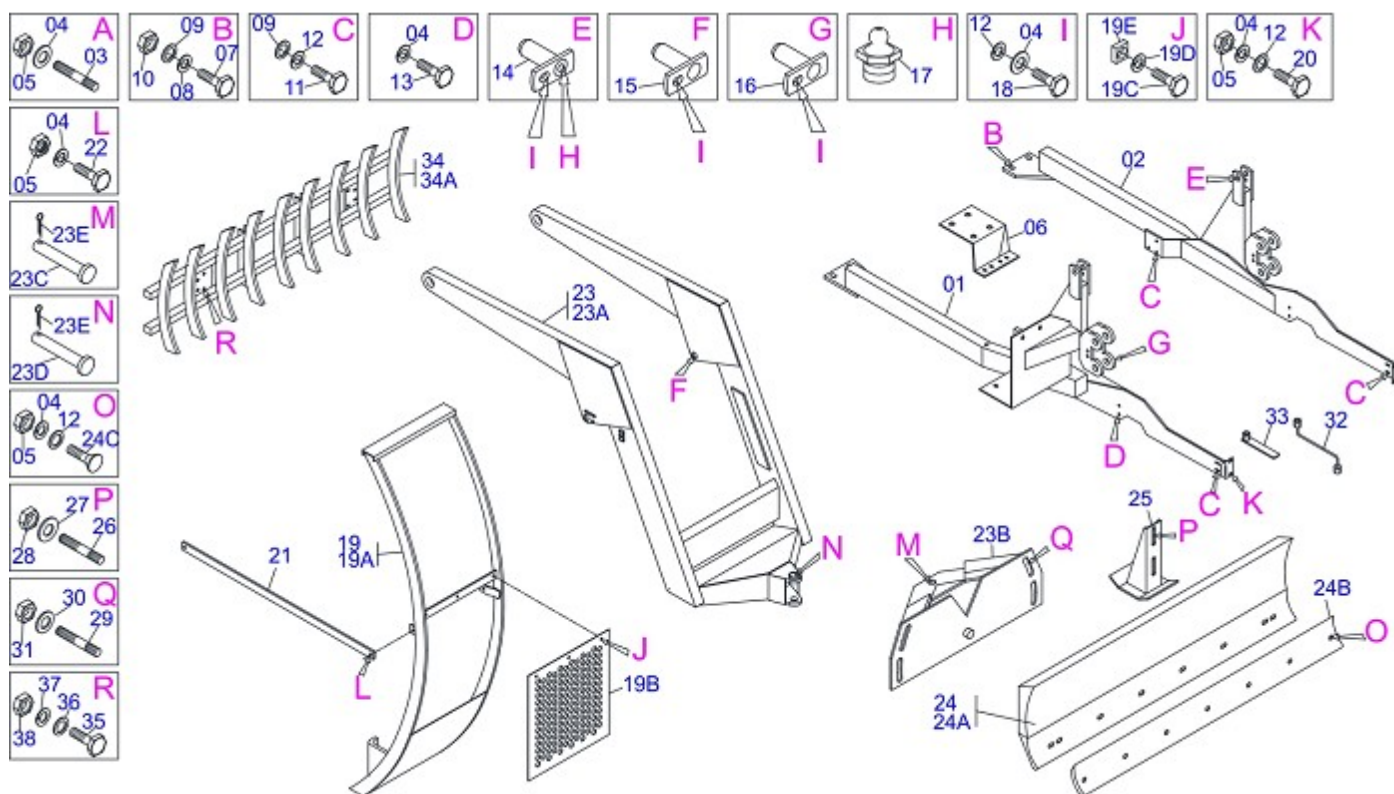


# INDEX

0909090296	FRONT LOADER V 880/980	.....	1
0909090297	HYDRAULIC CIRCUIT V 880/980	.....	2
0909090269	HYDRAULIC CYLINDER	.....	3

**ATTENTION: IMPORTANT**

MARCHESAN RESERVES THE RIGHT AT ANY TIME TO MAKE IMPROVEMENTS IN THE DESIGN, MATERIAL OR SPECIFICATIONS OF MACHINERY, EQUIPMENT OR PARTS WITHOUT THEREBY BECOMING LIABLE TO MAKE SIMILAR CHANGES IN MACHINERY, EQUIPMENT OR PARTS PREVIOUSLY SOLD.



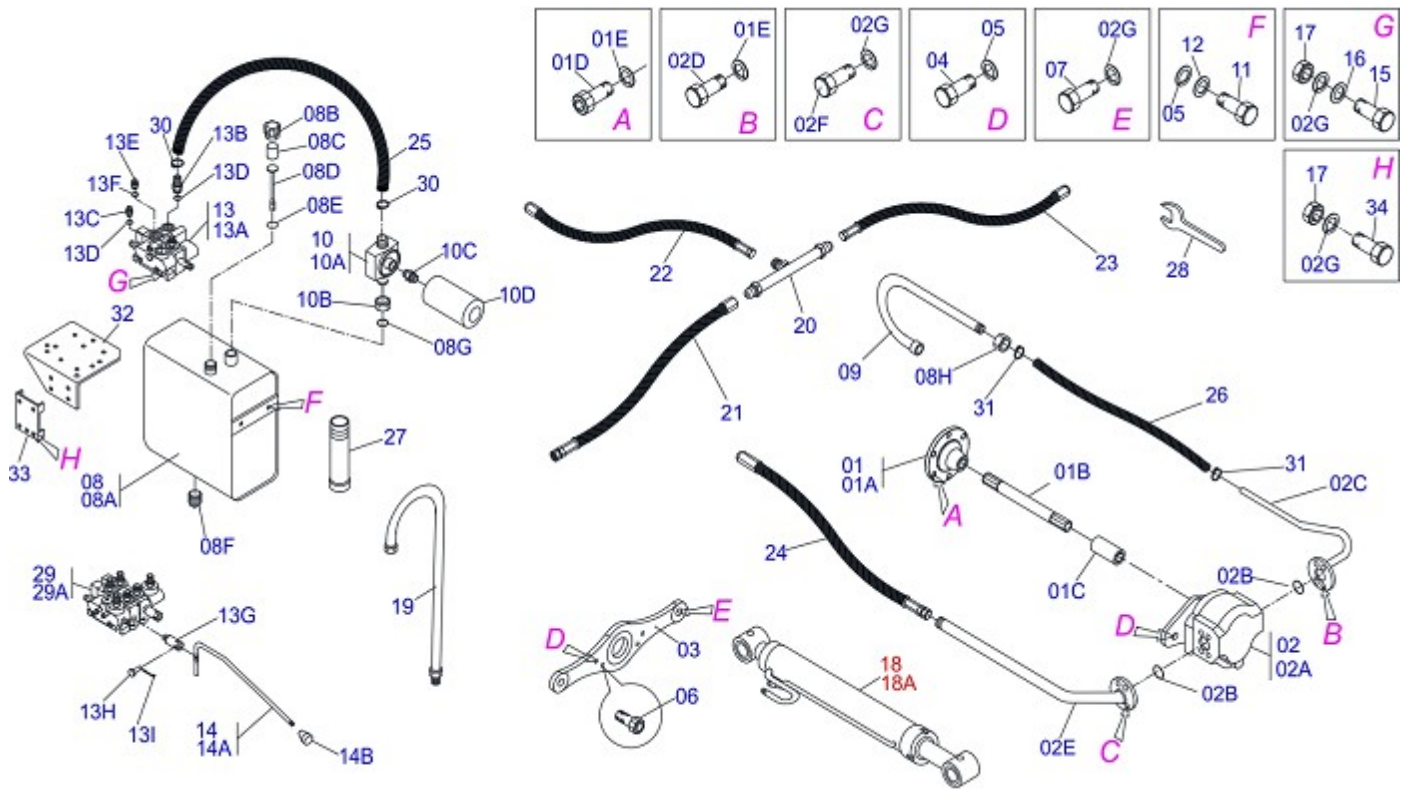
Item	Code	Description	QT
01	0501063862	RIGHT V 880 A 985 SHT FRAME	01
02	0501063864	LH V 880 A 985 FRAME	01
03	0501011528	PRISONER 5/8 X 5/8 X 240	08
04	0503010027	5/8" SPRING WASHER	23
05	0503010013	5/8" NUT	23
06	0501063145	RH FRAME BRACKET	01
06A	0501063146	LH FRAME BRACKET	01
07	0501010125	3/4" X 2-1/2" BOLT	04
08	0501010322	FLAT WASHER	04
09	0503010023	3/4" SPRING WASHER	12
10	0503010014	3/4" NUT	04
11	0503010148	M16 X 2 X 40 BOLT	06
12	0501012140	FLAT WASHER	13
13	0503010819	M16 X 2 X 60 BOLT	02
14	0501063960	37,2 X 130 PIVOT SHAFT LOCK	02
15	0501063958	1.5" X 4.3" PIVOT SHAFT LOCK	02
16	0501063959	PIVOT SHAFT	02
17	0503010002	GREASE FITTING	06
18	0503010962	5/8" X 1-1/4" BOLT	06
19	0501040970	MOBILE SUPPORT GUIDE ASSY	01
19A	0501063161	MOBILE SUPPORT GUIDE ASSY	01
19B	0501014213	FRONT PROTECTION	01
19C	0503010751	3/8" X 1.1/4" HEX BOLT G.5	02
19D	0501010984	FLAT WASHER	02
19E	0501011338	3/8" SQUARE NUT	02
20	0501010100	5/8" X 2" BOLT	06
21	0501019026	ATTACHMENT BAR	02
22	0503011267	5/8" X 1.1/2" BOLT	02
23	0501042507	SUPPORT GUIDE ASSY	01
23A	0501063683	MOBILE SUPPORT	01
23B	0501063368	REGULATOR SUPPORT	01
23C	0521010618	1.4" X 8.6" COUPLING SHAFT	01
23D	0521010613	1.4" X 3.9" COUPLING SHAFT	01



## FRONT LOADER V 880/980

0909090296

Item	Code	Description	QT
23E	0503010010	1/4" X 2.1/2" COTTERPIN	02
24	0501047707	2000 BLADE SUPPORT	01
24A	0501067998	1990MM BLADE SUPPORT	01
24B	0622360015	2000 SCRAPER REVERSIBLE	01
24C	0501012240	5/8" X 2-1/2" BOLT	07
25	0501063411	ESTABILIZER BRACKET	02
26	0501010571	3/4 NC X 3/4 NF X 56 PRISONER	04
27	0501010322	FLAT WASHER	07
28	0503010335	3/4" NUT	04
29	0501010572	1 UNC X 1 UNS X 76 PRISONER	04
30	0501010574	FLAT WASHER	04
31	0503010340	1" UNF NUT	04
32	0501068213	5/8" WRENCH DOUBLE	01
33	0501061617	1" WRENCH CYLINDRICAL HEX	01
34	0108010001	REFUSE RAKER	01
34A	0501060924	REFUSE RAKER	01
35	0501010276	1" X 3" BOLT	04
36	0501010065	FLAT WASHER	04
37	0503010012	1" SPRING WASHER	04
38	0501010059	1" NUT HEX	04

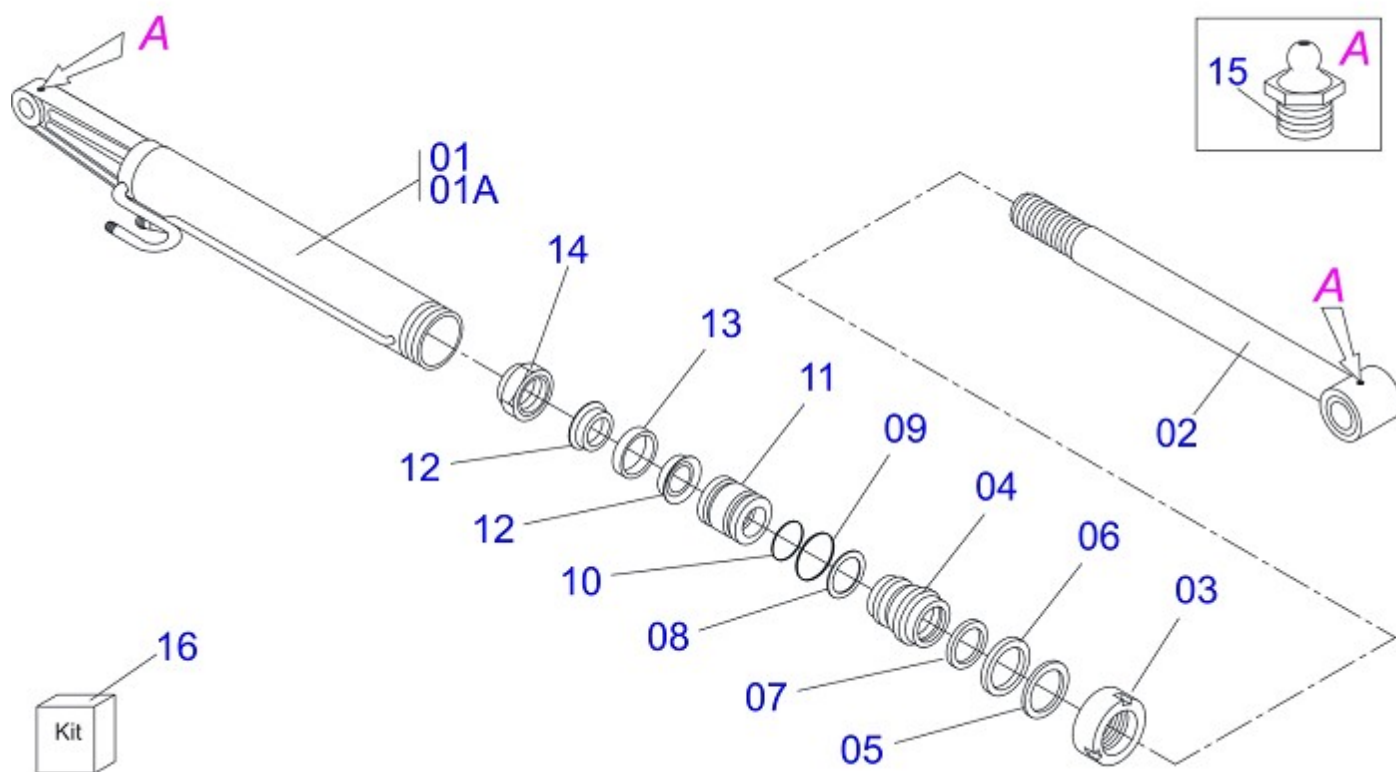


Item	Code	Description	QT
01	0501047788	COUPLING ASSY	01
01A	0501067343	COUPLING FLANGE	01
01B	0503031038	595 STRIATED AXLE	01
01C	0503030838	1-1/8" X 2.4" SLEEVE	01
01D	0503010728	M10 X 1.2" BOLT	06
01E	0503010180	7/16" SPRING WASHER	10
02	0501041809	PUMP GEAR ASSY	02
02A	0503060153	40L 1/2" PUMP	01
02B	0503010173	2-220 N 3006-9B O'RING	02
02C	0501063783	PUMP SUCTION TUBE	01
02D	0503010355	7/16" X 1" BOLT	04
02E	0501063784	PUMP PRESSURE TUBE	01
02F	0503010237	3/8" X 1" HEX BOLT G5	04
02G	0503010025	3/8" SPRING WHASHER	17
03	0502010097	PUMP SUPPORT	01
04	0501010161	1/2" X 1-1/4" BOLT	04
05	0503010019	1/2" SPRING WASHER	06
06	0503010175	3/8" X 1-1/4" BOLT	02
07	0501010602	M16 X 2 X 40 BOLT	06
08	0501047807	RESERVOIR OIL ASSY	01
08A	0501068880	RESERVOIR OIL	01
08B	0502020472	TANK COVER BODY	01
08C	0503030044	FILTERING ELEMENT	01
08D	0501060975	OIL GAGE	01
08E	0503010185	2-221 N 3006-9B O'RING	01
08F	0503010123	1/2" BSPT PLUG	01
08G	0503010046	2-216 N 3006-9B O'RING	01
08H	0501016309	2" 1X 2.5/16" NUT	01
09	0501063383	TANK OUTER TUBE	01
10	0501041108	RETURNING FILTER ASSY	01
10A	0502050002	RETURNING FILTER HEAD	01
10B	0501010594	1" NUT HEX	01
10C	0501010595	1" NF NIPPLE	01



PD VALMET 880/980 S-0690  
HYDRAULIC CIRCUIT V 880/980

Item	Code	Description	QT
10D	0503010183	RETURNING FILTER	01
11	0501010063	1/2" X 1-1/2" BOLT	02
12	0511017302	FLAT WASHER	06
13	0501040871	1/2" COMMAND SIMPLE ASSY	01
13A	0503060080	1/2" COMMAND SIMPLE	01
13B	0501010591	HOSE NIPPLE	01
13C	0501010589	1-1/16 NIPPLE	01
13D	0503010602	2-211 N 3006-9B O'RING	02
13E	0501010590	7/8" REDUCTION NIPPLE	02
13F	0503010045	2-116 N 3006-9B O'RING	02
13G	0503030347	UPPER LEVER ASSY (SAUER DANFOSS)	01
13H	0521010533	0.3" X 1" COUPLING SHAFT	01
13I	0503010140	1/8" X 3/4" COTTERPIN	01
14	0501047852	CONTROL VALVE (PD V 118 SHT)	01
14A	0501069069	CONTROL VALVE (V 985-4/AX 4.75)	01
14B	0503030878	LEVER CRANK	01
15	0501010080	3/8" X 1-1/2" BOLT	03
16	0501010984	FLAT WASHER	07
17	0503010026	3/8" NUT	07
18	0501044360	HYDRAULIC CYLINDER	01
18A	0501044361	HIDRAULIC CYLINDER	01
19	0501064350	VALVE PRESSURE TUBE	01
20	0501068942	"T" CONNECTION NIPPLES	02
21	0501080109	1/2" X 800 TR-TR HOSE	02
22	0501080103	1/2" X 47" TR-TR HOSE ASSY	02
23	0501080102	1/2" X 2200 TR-TR HOSE	02
24	0501080232	3/4" X 1100 TR-TR HOSE	01
25	0501010610	1" X 800 AB-AB HOSE	01
26	0501011513	1.1/4" X 1100 AB-ABROSE	01
27	0501064530	TANK COVER PROTRACTOR	01
28	0511010153	2-5/16" FIXED WRENCH	01
29	0501040873	1/2" DOUBLE COMMAND	01
29A	0503060081	1/2" DOUBLE COMMAND	01
30	0503010184	1-1/4" TO 1-1/2" CLAMP	02
31	0503010243	1-1/2" TO 2" CLAMP	02
32	0511010370	SUPPORT CONTROL VALVE	01
33	0501013648	REGULATOR BODY	01
34	0503010765	3/8" X 3" BOLT	04



Item	Code	Description	
00	0501040161	RIGHT HYDRAULIC CYLINDER	
00A	0501040162	LEFT HYDRAULIC CYLINDER	
01	0501063658	RH 101,6 X 472 CYLINDER CASE	01
01A	0501063659	LH 101,6 X 472 CYLINDER CASE	01
02	0501068966	HYDRAULIC CYLINDER TURNBUCKLE	01
03	0502010017	4" HEAD	01
04	0502010778	2" X 4.2" RING SUPPORT	01
05	0503010039	D-2000 SCRAPER RING	01
06	0503010991	PACKING 1870-2000-375-B	01
07	0503010952	W2-2250-500 PK RING G.E	01
08	0503011061	8-342 BACK-UP RING	01
09	0503010338	2-342 N 3006-9B O'RING	01
10	0503010345	2-218 N 3006-9B O'RING	01
11	0502010992	2.0" X 4.0" PISTON	01
12	0503010043	PACKING 3750-3250	02
13	0503010994	W2-4000-500 PK RING G.E	01
14	0503010817	1.1/4" UNF SELF ADJUSTING NUT	01
15	0503010002	GREASE FITTING	02
16	0501031799	HYDRAULIC CYLINDER REPAIR KIT	01







**MARCHESAN**

**MARCHESAN IMPLEMENTOS E MÁQUINAS AGRÍCOLAS TATU S.A.**

AV. Marchesan, 1979 - Post office box, 131 - CEP 15994-900 - Matão - SP - Brazil

Phone +55 16.3382-8282

(FAX Parts) + 55 16.3382. 8297 - (Export) + 55 16.3382.1003

e.mail: [tatu@marchesan.com.br](mailto:tatu@marchesan.com.br) [www.marchesan.com.br](http://www.marchesan.com.br)

*Drafting and Illustration = GASPARI  
e.mail = [jgaspari@marchesan.com.br](mailto:jgaspari@marchesan.com.br)*

**ORIGINAL PARTS  
TATU**



**MARCHESAN**