

PARTS CATALOG

FRONT LOADER

PD VALMET
118-4/128-4/138-4/148-8 S-1188

Code: 0501091413



Series: S-1188

Review: NOVEMBRO/88

ORIGINAL PARTS
TATU

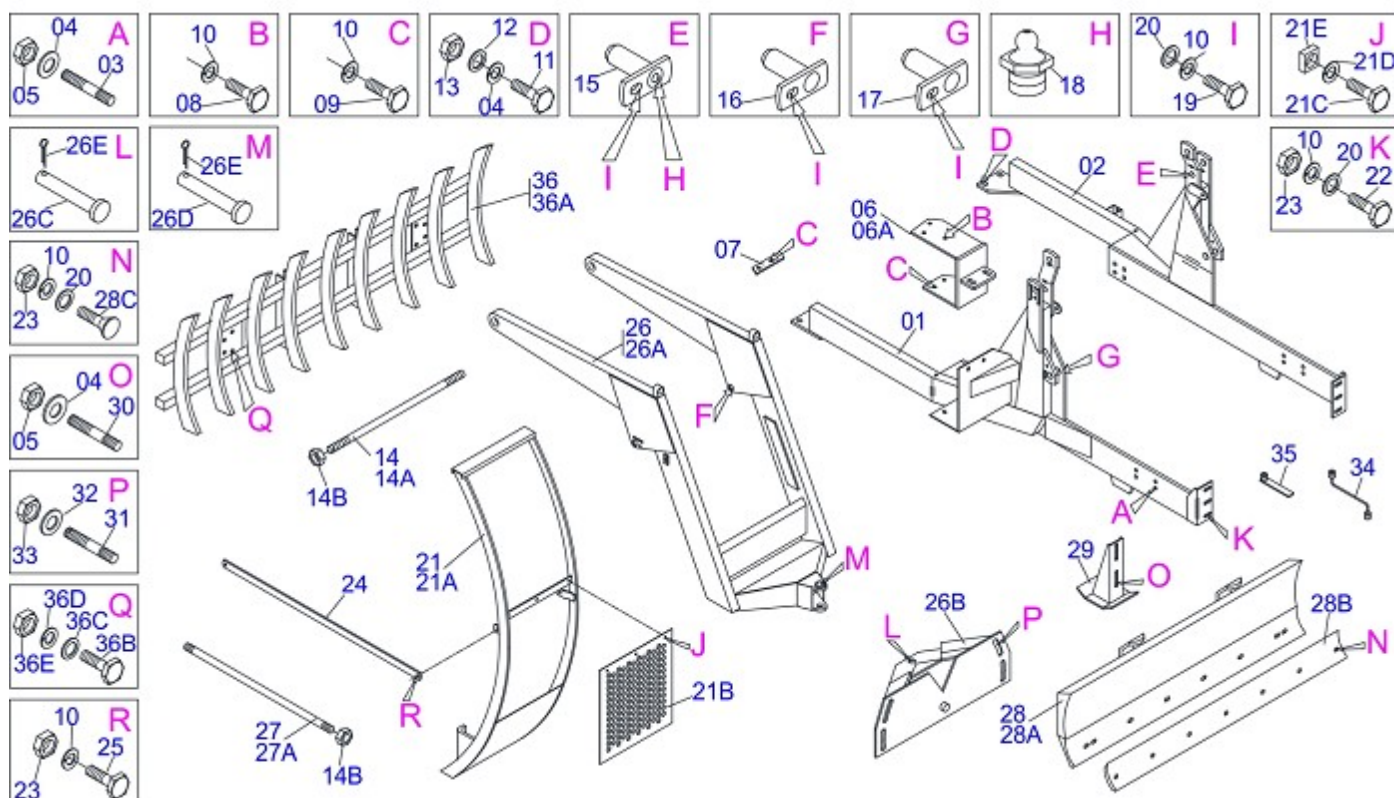


INDEX

0909090276	FRONT LOADER V 118-4/148-4	1
0909090278	HYDRAULIC CIRCUIT V 118-4 - 148-4	2
0909090269	HYDRAULIC CYLINDER	3

ATTENTION: IMPORTANT

MARCHESAN RESERVES THE RIGHT AT ANY TIME TO MAKE IMPROVEMENTS IN THE DESIGN, MATERIAL OR SPECIFICATIONS OF MACHINERY, EQUIPMENT OR PARTS WITHOUT THEREBY BECOMING LIABLE TO MAKE SIMILAR CHANGES IN MACHINERY, EQUIPMENT OR PARTS PREVIOUSLY SOLD.



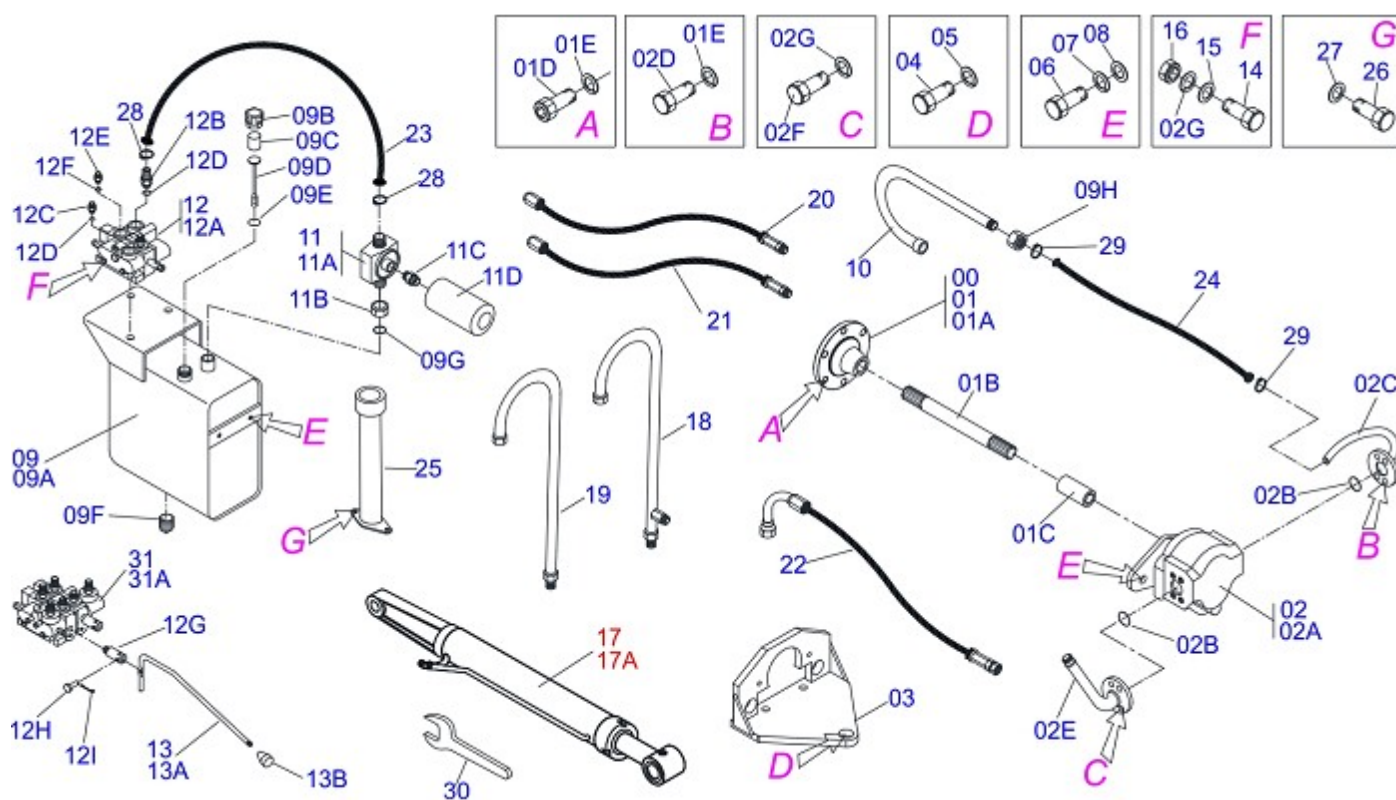
Item	Code	Description	QT
01	0501063860	RIGHT FRAME	01
02	0501063861	LEFT FRAME	01
03	0501010603	PRISONER M20 X 3/4 UNF X 95	16
04	0503010023	3/4" SPRING WASHER	22
05	0503010335	3/4" NUT	20
06	0501062526	RH FRAME BRACKET	01
06A	0501062527	LH FRAME BRACKET	01
07	0501014748	BRACKET CHOCK FRAME	02
08	0503010148	M16 X 2 X 40 BOLT	06
09	0503010819	M16 X 2 X 60 BOLT	04
10	0503010027	5/8" SPRING WASHER	28
11	0501010125	3/4" X 2-1/2" BOLT	04
12	0501010322	FLAT WASHER	12
13	0503010014	3/4" NUT	04
14	0501040954	1.1/4" NC X 760 ROD	01
14A	0501010628	1.1/4" X 760 ROD	01
14B	0501010087	1.1/4" UNC NUT	12
15	0501063751	1.5" X 5.5" PIVOT SHAFT	02
16	0501063958	1.5" X 4.3" PIVOT SHAFT LOCK	02
17	0501063959	PIVOT SHAFT	02
18	0503010002	GREASE FITTING	02
19	0503010962	5/8" X 1-1/4" BOLT	06
20	0501012140	FLAT WASHER	20
21	0501041321	MOBILE SUPPORT GUIDE ASSY	01
21A	0501060988	MOBILE SUPPORT GUIDE	01
21B	0501015561	FRONT PROTECTION	01
21C	0503010751	3/8" X 1.1/4" HEX BOLT G.5	03
21D	0501010984	FLAT WASHER	03
21E	0501011338	3/8" SQUARE NUT	03
22	0501010100	5/8" X 2" BOLT	06
23	0503010013	5/8" NUT	16
24	0501010626	ATTACHMENT BAR	02
25	0503010232	5/8" X 1.3/4" BOLT	02



FRONT LOADER V 118-4/148-4

0909090276

Item	Code	Description	QT
26	0501042510	MOBILE SUPPORT ASSY	01
26A	0501063719	MOBILE SUPPORT	01
26B	0501062637	5/8" REGULATOR SUPPORT	01
26C	0521010612	1.4" X 3.5" COUPLING SHAFT	01
26D	0521010618	1.4" X 8.6" COUPLING SHAFT	01
26E	0503010010	1/4" X 2.1/2" COTTERPIN	02
27	0501041349	1.1/4" NC X 1380 ROD ASSY	02
27A	0501010629	1.1/4" X 1380 ROD	02
28	0501047710	2600MM BLADE SUPPORT ASSY	01
28A	0501068001	2590MM BLADE SUPPORT ASSY	01
28B	0622360011	2600 SCRAPER REVERSIBLE	01
28C	0501012240	5/8" X 2-1/2" BOLT	08
29	0501063411	ESTABILIZER BRACKET	02
30	0501010571	3/4 NC X 3/4 NF X 56 PRISONER	04
31	0501010572	1 UNC X 1 UNS X 76 PRISONER	04
32	0501010574	FLAT WASHER	04
33	0503010340	1" UNF NUT	04
34	0501068213	5/8" WRENCH DOUBLE	01
35	0501061617	1" WRENCH CYLINDRICAL HEX	01
36	0108010002	9 TEETH ROOTH RAKER	01
36A	0501060958	9 TEETH ROOTH RAKER	01
36B	0501010276	1" X 3" BOLT	04
36C	0501010065	FLAT WASHER	04
36D	0503010012	1" SPRING WASHER	04
36E	0501010059	1" NUT HEX	04



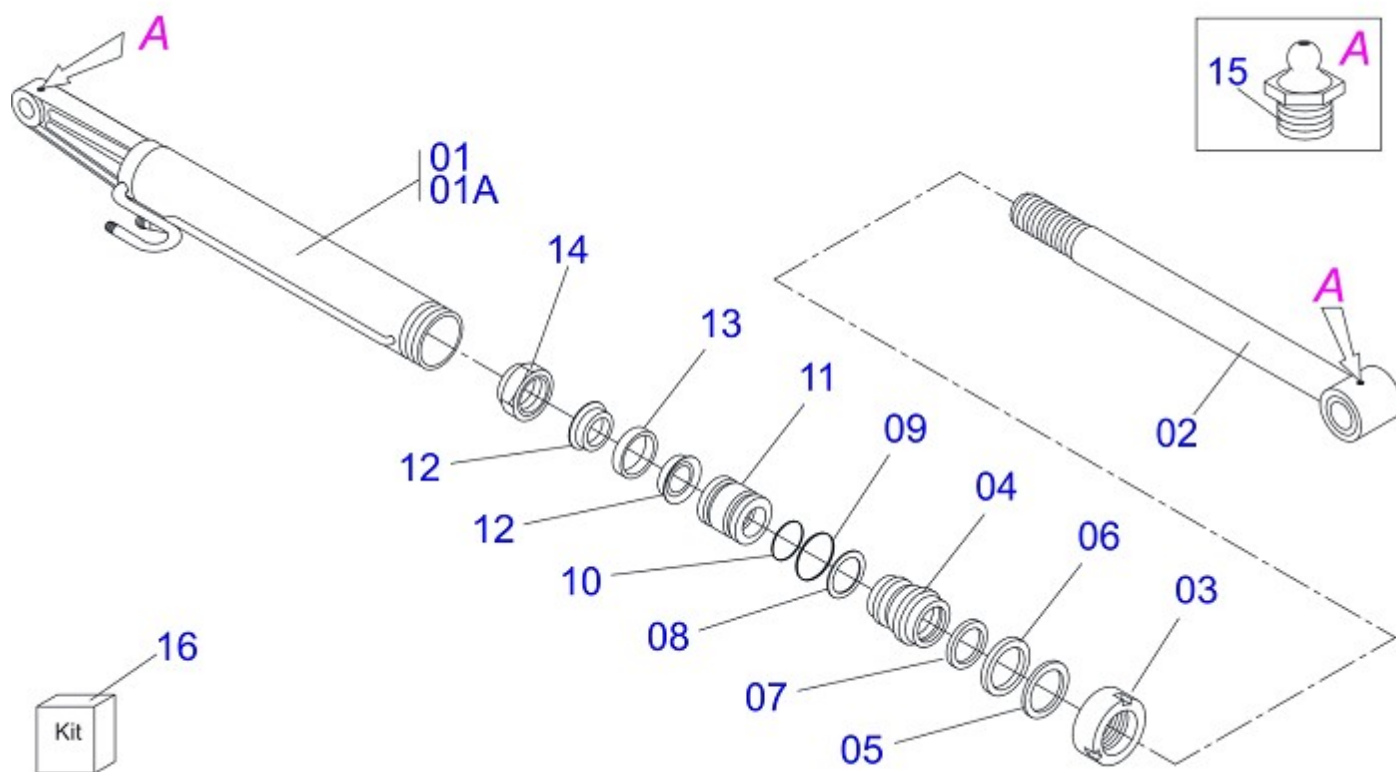
Item	Code	Description	QT
00	0501047535	COUPLING ASSY	01
01	0501047533	COUPLING ASSY	01
01A	0501067343	COUPLING FLANGE	01
01B	0501068901	280 X 1.1/8" AXLE	01
01Ba	0511062929	275 X 1.1/8" AXLE	01
01C	0503030838	1-1/8" X 2.4" SLEEVE	01
01D	0503010728	M10 X 1.2" BOLT	06
01E	0503010180	7/16" SPRING WASHER	10
02	0501041921	PUMP ASSY	01
02A	0503060045	40L 1/2" PUMP	01
02B	0503010173	2-220 N 3006-9B O'RING	02
02C	0501064150	PUMP SUCTION TUBE	01
02D	0503010355	7/16" X 1" BOLT	04
02E	0501064151	PUMP PRESSURE TUBE	01
02F	0503010237	3/8" X 1" HEX BOLT G5	04
02G	0503010025	3/8" SPRING WHASHER	07
03	0501064140	PUMP SUPPORT	01
04	0503010148	M16 X 2 X 40 BOLT	03
05	0503010027	5/8" SPRING WASHER	03
06	0501010161	1/2" X 1-1/4" BOLT	06
07	0503010019	1/2" SPRING WASHER	06
08	0511017302	FLAT WASHER	06
09	0501047808	RESERVOIR OIL ASSY	01
09A	0501068882	RESERVOIR OIL	01
09B	0502020472	TANK COVER BODY	01
09C	0503030044	FILTERING ELEMENT	01
09D	0501060975	OIL GAGE	01
09E	0503010185	2-221 N 3006-9B O'RING	01
09F	0503010123	1/2" BSPT PLUG	01
09G	0503010046	2-216 N 3006-9B O'RING	01
09H	0501016309	2" 1X 2.5/16" NUT	01
10	0501063383	TANK OUTER TUBE	01
11	0501041108	RETURNING FILTER ASSY	01



HYDRAULIC CIRCUIT V 118-4 - 148-4

0909090278

Item	Code	Description	QT
11A	0502050002	RETURNING FILTER HEAD	01
11B	0501010594	1" NUT HEX	01
11C	0501010595	1" NF NIPPLE	01
11D	0503010183	RETURNING FILTER	01
12	0501040871	1/2" COMMAND SIMPLE ASSY	01
12A	0503060080	1/2" COMMAND SIMPLE	01
12B	0501010591	HOSE NIPPLE	01
12C	0501010589	1-1/16 NIPPLE	01
12D	0503010602	2-211 N 3006-9B O'RING	02
12E	0501010590	7/8" REDUCTION NIPPLE	02
12F	0503010045	2-116 N 3006-9B O'RING	02
12G	0503030347	UPPER LEVER ASSY (SAUER DANFOSS)	01
12H	0521010533	0.3" X 1" COUPLING SHAFT	01
12I	0503010140	1/8" X 3/4" COTTERPIN	01
13	0501047852	CONTROL VALVE (PD V 118 SHT)	01
13A	0501069069	CONTROL VALVE (V 985-4/AX 4.75)	01
13B	0503030878	LEVER CRANK	01
14	0501010080	3/8" X 1-1/2" BOLT	03
15	0501010984	FLAT WASHER	03
16	0503010026	3/8" NUT	03
17	0501040161	RIGHT HYDRAULIC CYLINDER	01
17A	0501040162	LEFT HYDRAULIC CYLINDER	01
18	0501068945	CURVED CONNECTION	02
19	0501064350	VALVE PRESSURE TUBE	01
20	0501080103	1/2" X 47" TR-TR HOSE ASSY	02
21	0501080307	1/2" X 2150 TR-TR HOSE	02
22	0501080064	3/4" X 2000 TR-TC HOSE	01
23	0501013431	1" X 600 AB-AB HOSE	01
24	0501011514	1.1/4" X 1550 AB-AB HOSE	01
25	0501063350	TANK COVER PROTRACTOR	01
26	0503010358	5/16" X 7/8" BOLT	02
27	0503010179	5/16" SPRING WASHER	02
28	0503010184	1-1/4" TO 1-1/2" CLAMP	02
29	0503010243	1-1/2" TO 2" CLAMP	02
30	0511010153	2-5/16" FIXED WRENCH	01
31	0501040873	1/2" DOUBLE COMMAND	01
31A	0503060081	1/2" DOUBLE COMMAND	01



Item	Code	Description	
00	0501040161	RIGHT HYDRAULIC CYLINDER	
00A	0501040162	LEFT HYDRAULIC CYLINDER	
01	0501063658	RH 101,6 X 472 CYLINDER CASE	01
01A	0501063659	LH 101,6 X 472 CYLINDER CASE	01
02	0501068966	HYDRAULIC CYLINDER TURNBUCKLE	01
03	0502010017	4" HEAD	01
04	0502010778	2" X 4.2" RING SUPPORT	01
05	0503010039	D-2000 SCRAPER RING	01
06	0503010991	PACKING 1870-2000-375-B	01
07	0503010952	W2-2250-500 PK RING G.E	01
08	0503011061	8-342 BACK-UP RING	01
09	0503010338	2-342 N 3006-9B O'RING	01
10	0503010345	2-218 N 3006-9B O'RING	01
11	0502010992	2.0" X 4.0" PISTON	01
12	0503010043	PACKING 3750-3250	02
13	0503010994	W2-4000-500 PK RING G.E	01
14	0503010817	1.1/4" UNF SELF ADJUSTING NUT	01
15	0503010002	GREASE FITTING	02
16	0501031799	HYDRAULIC CYLINDER REPAIR KIT	01



MARCHESAN

MARCHESAN IMPLEMENTOS E MÁQUINAS AGRÍCOLAS TATU S.A.

AV. Marchesan, 1979 - Post office box, 131 - CEP 15994-900 - Matão - SP - Brazil

Phone +55 16.3382-8282

(FAX Parts) + 55 16.3382. 8297 - (Export) + 55 16.3382.1003

e.mail: tatu@marchesan.com.br www.marchesan.com.br

*Drafting and Illustration = GASPARI
e.mail = jgaspari@marchesan.com.br*

**ORIGINAL PARTS
TATU**



MARCHESAN