

PARTS CATALOG

FRONT LOADER

PD VALMET 118/128 S-1188

Code: 0501091412



Series: S-1188

Review: NOVEMBRO/88

ORIGINAL PARTS
TATU

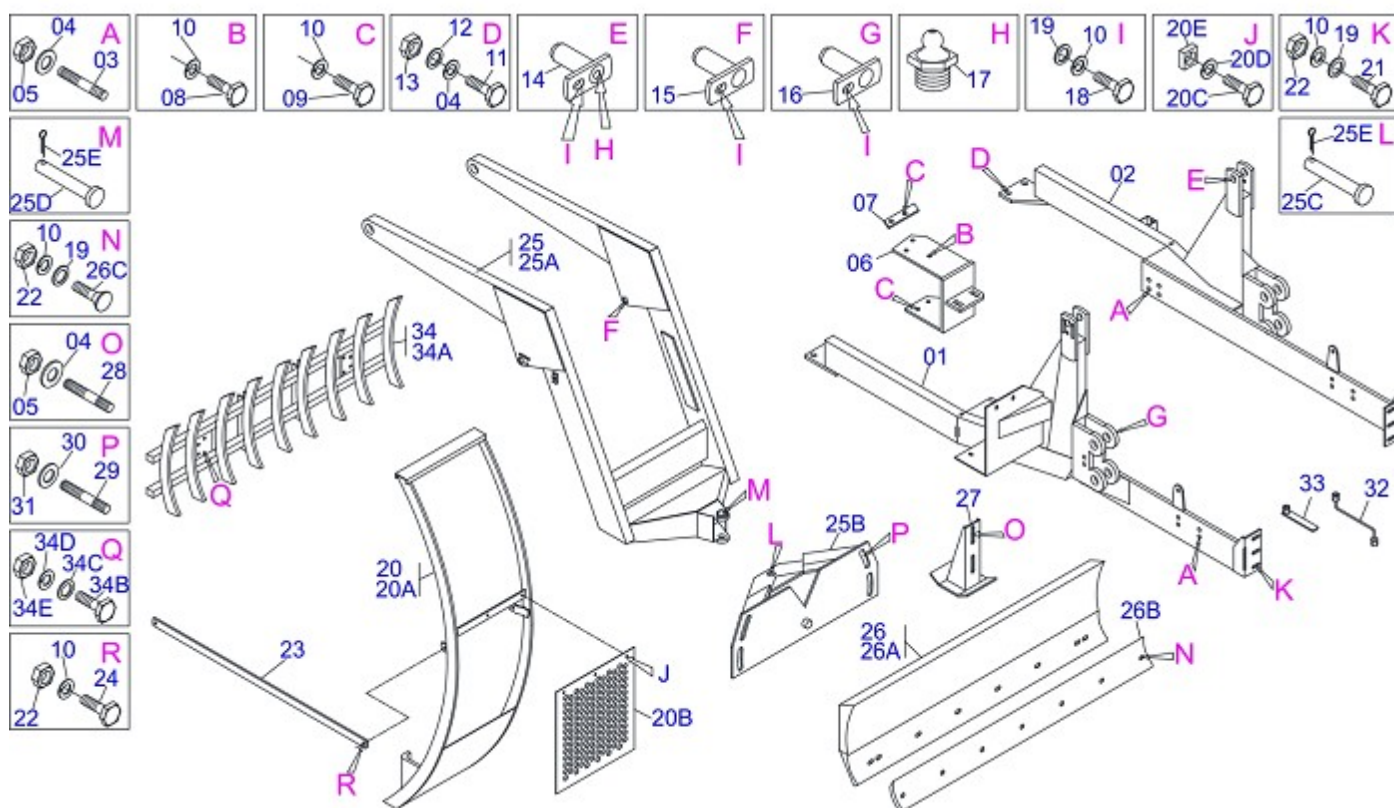


INDEX

0909090294	FRONT LOADER V 118/128	1
0909090295	HYDRAULIC CIRCUIT V 118/128	2
0909090273	HYDRAULIC CYLINDER	3

ATTENTION: IMPORTANT

MARCHESAN RESERVES THE RIGHT AT ANY TIME TO MAKE IMPROVEMENTS IN THE DESIGN, MATERIAL OR SPECIFICATIONS OF MACHINERY, EQUIPMENT OR PARTS WITHOUT THEREBY BECOMING LIABLE TO MAKE SIMILAR CHANGES IN MACHINERY, EQUIPMENT OR PARTS PREVIOUSLY SOLD.



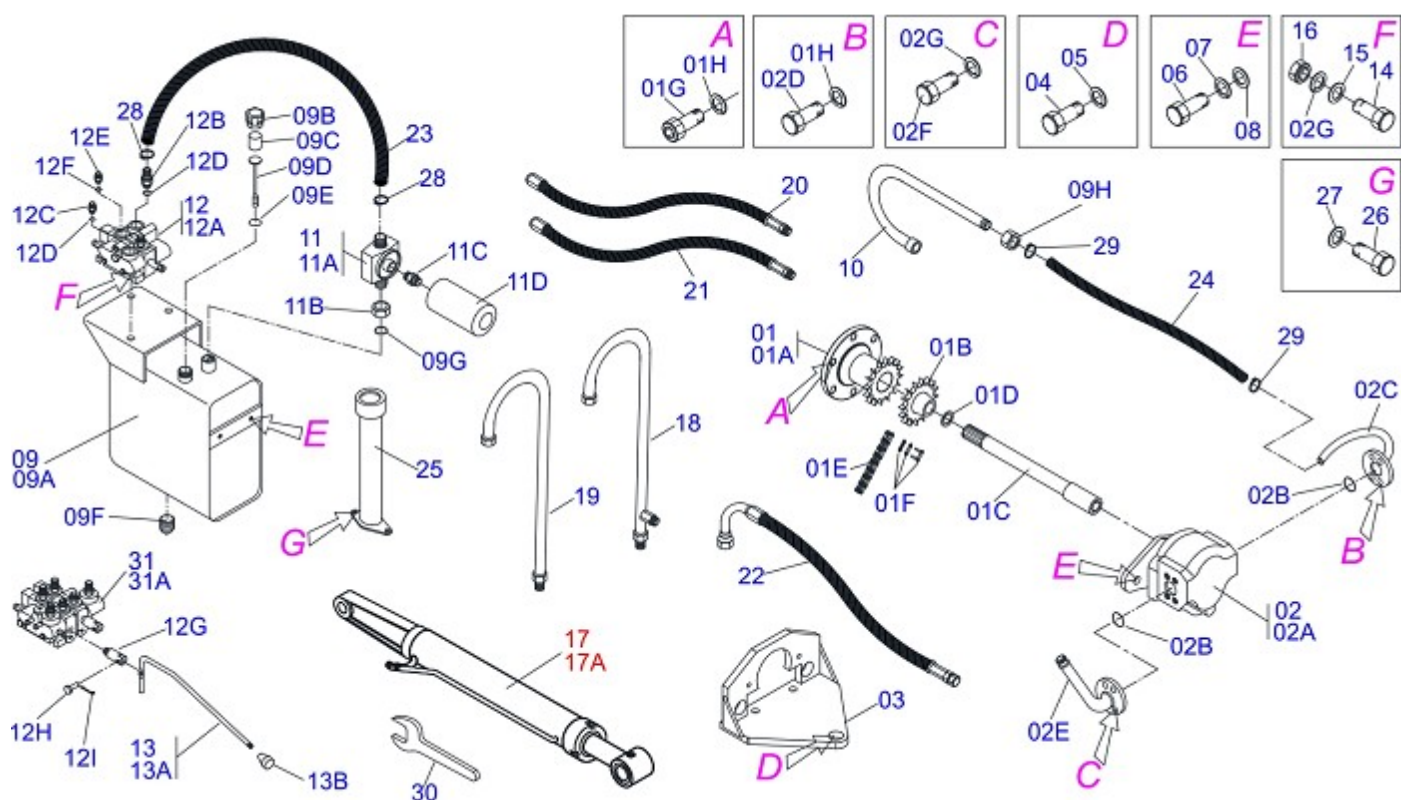
Item	Code	Description	QT
01	0501063858	RIGHT FRAME	01
02	0501063859	LEFT FRAME	01
03	0501010603	PRISONER M20 X 3/4 UNF X 95	16
04	0503010023	3/4" SPRING WASHER	22
05	0503010335	3/4" NUT	20
06	0501062526	RH FRAME BRACKET	01
06A	0501062527	LH FRAME BRACKET	01
07	0501014748	BRACKET CHOCK FRAME	02
08	0503010148	M16 X 2 X 40 BOLT	06
09	0503010819	M16 X 2 X 60 BOLT	04
10	0503010027	5/8" SPRING WASHER	28
11	0501010125	3/4" X 2-1/2" BOLT	04
12	0501010322	FLAT WASHER	12
13	0503010014	3/4" NUT	04
14	0501063751	1.5" X 5.5" PIVOT SHAFT	02
15	0501063958	1.5" X 4.3" PIVOT SHAFT LOCK	02
16	0501063959	PIVOT SHAFT	02
17	0503010002	GREASE FITTING	02
18	0503010962	5/8" X 1-1/4" BOLT	06
19	0501012140	FLAT WASHER	20
20	0501041267	MOBILE SUPPORT GUIDE ASSY	01
20A	0501061397	MOBILE SUPPORT GUIDE	01
20B	0501017431	FRONT PROTECTION	01
20C	0503010751	3/8" X 1.1/4" HEX BOLT G.5	03
20D	0501010984	FLAT WASHER	03
20E	0501011338	3/8" SQUARE NUT	03
21	0501010100	5/8" X 2" BOLT	06
22	0503010013	5/8" NUT	16
23	0501010606	ATTACHMENT BAR	02
24	0503010232	5/8" X 1.3/4" BOLT	02
25	0501042509	MOBILE SUPPORT ASSY	01
25A	0501063681	MOBILE SUPPORT	01
25B	0501063368	REGULATOR SUPPORT	01



FRONT LOADER V 118/128

0909090294

Item	Code	Description	QT
25C	0521010613	1.4" X 3.9" COUPLING SHAFT	01
25D	0521010618	1.4" X 8.6" COUPLING SHAFT	01
25E	0503010010	1/4" X 2.1/2" COTTERPIN	02
26	0501047709	2400MM BLADE SUPPORT ASSY	01
26A	0501068000	2390MM BLADE SUPPORT	01
26B	0622360016	94.5" SCRAPER REVERSIBLE	01
26C	0501012240	5/8" X 2-1/2" BOLT	08
27	0501063411	ESTABILIZER BRACKET	02
28	0501010571	3/4 NC X 3/4 NF X 56 PRISONER	04
29	0501010572	1 UNC X 1 UNS X 76 PRISONER	04
30	0501010574	FLAT WASHER	04
31	0503010340	1" UNF NUT	04
32	0501068213	5/8" WRENCH DOUBLE	01
33	0501061617	1" WRENCH CYLINDRICAL HEX	01
34	0108010002	9 TEETH ROOTH RAKER	01
34A	0501060958	9 TEETH ROOTH RAKER	01
34B	0501010276	1" X 3" BOLT	04
34C	0501010065	FLAT WASHER	04
34D	0503010012	1" SPRING WASHER	04
34E	0501010059	1" NUT HEX	04

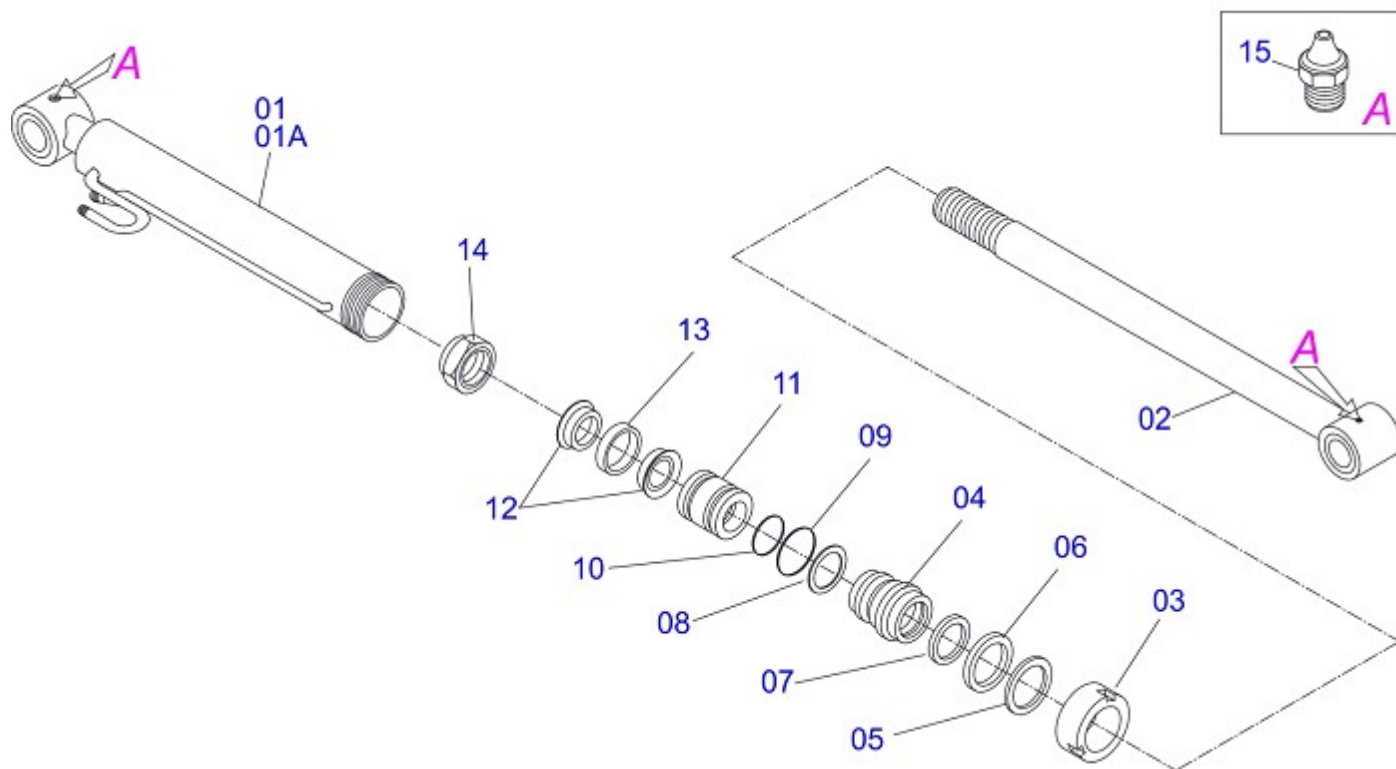


Item	Code	Description	QT
0	0503031604	1/2" BSP PLUG	01
01	0501048799	COUPLING ASSY	01
01A	0503050026	FLANGE WITH GEAR	01
01B	0503050075	GEAR 16Z	01
01C	0511060565	220 X 7/8" UNC AXLE	01
01D	0501010890	FLANGE WASHER	01
01E	0503010455	50-2 CHAIN X 15 LINK + MENDING	01
01F	0503010560	AMENDMENT WITH LOCK	01
01G	0503010729	M10 X 1" BOLT	06
01H	0503010180	7/16" SPRING WASHER	10
02	0501041921	PUMP ASSY	01
02A	0503060045	40L 1/2" PUMP	01
02B	0503010173	2-220 N 3006-9B O'RING	02
02C	0501064150	PUMP SUCTION TUBE	01
02D	0503010355	7/16" X 1" BOLT	04
02E	0501064151	PUMP PRESSURE TUBE	01
02F	0503010237	3/8" X 1" HEX BOLT G5	04
02G	0503010025	3/8" SPRING WHASHER	07
03	0501064140	PUMP SUPPORT	01
04	0503010148	M16 X 2 X 40 BOLT	03
05	0503010027	5/8" SPRING WASHER	03
06	0501010161	1/2" X 1-1/4" BOLT	06
07	0503010019	1/2" SPRING WASHER	06
08	0511017302	FLAT WASHER	06
09	0501047808	RESERVOIR OIL ASSY	01
09A	0501068882	RESERVOIR OIL	01
09B	0502020472	TANK COVER BODY	01
09C	0503030044	FILTERING ELEMENT	01
09D	0501060975	OIL GAGE	01
09E	0503010185	2-221 N 3006-9B O'RING	01
09F	0503031604	1/2" BSP PLUG	01
09G	0503010046	2-216 N 3006-9B O'RING	01
09H	0501016309	2" 1X 2.5/16" NUT	01



PD VALMET 118/128 S-1188
HYDRAULIC CIRCUIT V 118/128

Item	Code	Description	QT
10	0501063383	TANK OUTER TUBE	01
11	0501041108	RETURNING FILTER ASSY	01
11A	0502050002	RETURNING FILTER HEAD	01
11B	0501010594	1" NUT HEX	01
11C	0501010595	1" NF NIPPLE	01
11D	0503010183	RETURNING FILTER	01
12	0501040871	1/2" COMMAND SIMPLE ASSY	01
12A	0503060080	1/2" COMMAND SIMPLE	01
12B	0501010591	HOSE NIPPLE	01
12C	0501010589	1-1/16 NIPPLE	01
12D	0503010602	2-211 N 3006-9B O'RING	02
12E	0501010590	7/8" REDUCTION NIPPLE	02
12F	0503010045	2-116 N 3006-9B O'RING	02
12G	0503030347	UPPER LEVER ASSY (SAUER DANFOSS)	01
12H	0521010533	0.3" X 1" COUPLING SHAFT	01
12I	0503010140	1/8" X 3/4" COTTERPIN	01
13	0501047852	CONTROL VALVE (PD V 118 SHT)	01
13A	0501069069	CONTROL VALVE (V 985-4/AX 4.75)	01
13B	0503030878	LEVER CRANK	01
14	0501010080	3/8" X 1-1/2" BOLT	03
15	0501010984	FLAT WASHER	03
16	0503010026	3/8" NUT	03
17	0501044360	HYDRAULIC CYLINDER	01
17A	0501044361	HIDRAULIC CYLINDER	01
18	0501068945	CURVED CONNECTION	02
19	0501064350	VALVE PRESSURE TUBE	01
20	0501080103	1/2" X 47" TR-TR HOSE ASSY	02
21	0501080346	1/2" X 2000 TR-TR HOSE ASSY	02
22	0501080355	3/4" X 1900 TR-TC HOSE	01
23	0501013822	1" X 25.6" AB-AB HOSE	01
24	0501019222	HOSE 1.1/4" X 1450 AB-AB	01
25	0501063350	TANK COVER PROTRACTOR	01
26	0503010358	5/16" X 7/8" BOLT	02
27	0503010179	5/16" SPRING WASHER	02
28	0503010184	1-1/4" TO 1-1/2" CLAMP	02
29	0503010243	1-1/2" TO 2" CLAMP	02
30	0511010153	2-5/16" FIXED WRENCH	01
31	0501040873	1/2" DOUBLE COMMAND	01
31A	0503060081	1/2" DOUBLE COMMAND	01



Item	Code	Description	QT
00	0501044360	HYDRAULIC CYLINDER	
00A	0501044361	HIDRAULIC CYLINDER	
01	0501061857	85,70 X 483 CYLINDER CASE	01
01A	0501062108	CYLINDER CASE	01
02	0501069048	44,45 X 648 TURNBUCLE	02
03	0502010993	DETACHABLE COVER	01
04	0502010781	RING SUPPORT	01
05	0503010761	D-1750 SCRAPER RING	01
06	0503010990	GASKET	01
07	0503010949	W2-2000-500 PK RING G.E	01
08	0503011060	8-336 BACK-UP RING	01
09	0503010976	2-336 N 3006-9B O'RING	01
10	0503010042	2-214 N 3006-9B O'RING	01
11	0502010843	1.8" X 3.4" PISTON	01
12	0503010170	PACKING 3120 2750	02
13	0503010948	W4-3346-590 PK RING G.E	01
14	0503010063	1" SELF-ALIGNING NUT	01
15	0503010002	GREASE FITTING	02
16	0501031796	HYDRAULIC CYLINDER REPAIR KIT	



MARCHESAN IMPLEMENTOS E MÁQUINAS AGRÍCOLAS TATU S.A.
AV. Marchesan, 1979 - Post office box, 131 - CEP 15994-900 - Matão - SP - Brazil
Phone +55 16.3382-8282
(FAX Parts) + 55 16.3382. 8297 - (Export) + 55 16.3382.1003
e.mail: tatu@marchesan.com.br www.marchesan.com.br

Drafting and Illustration = GASPARI
e.mail = jgaspari@marchesan.com.br

**ORIGINAL PARTS
TATU**

