

PARTS CATALOG

FRONT LOADER

PD VALMET 785-4 MOD.95 S-0195

Code: 0501091411



Series: S-0195

Review: JANEIRO/95

ORIGINAL PARTS
TATU

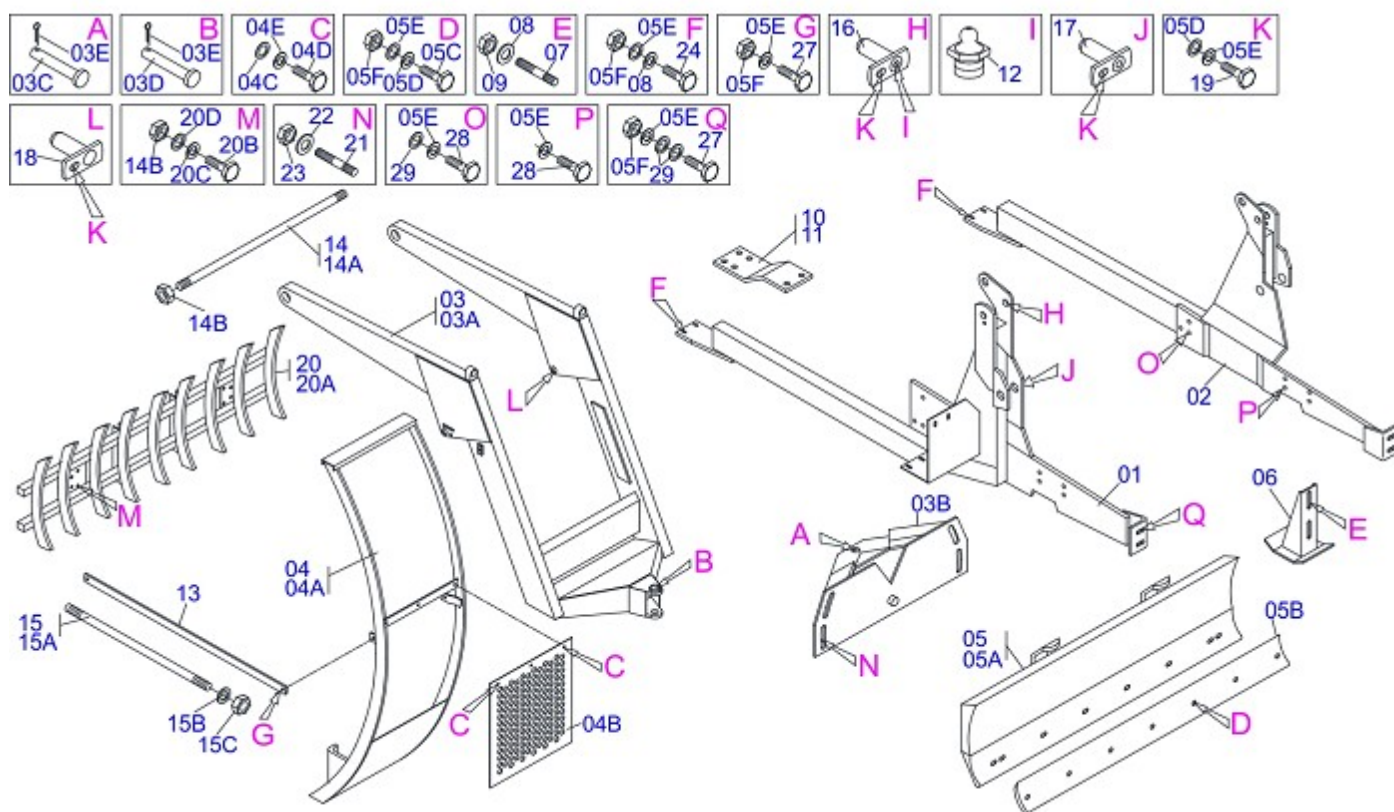


INDEX

0909090336	FRONT LOADER V 785-4	1
0909090337	HYDRAULIC CIRCUIT V 785-4	2
0909091178	HYDRAULIC CYLINDER	3

ATTENTION: IMPORTANT

MARCHESAN RESERVES THE RIGHT AT ANY TIME TO MAKE IMPROVEMENTS IN THE DESIGN, MATERIAL OR SPECIFICATIONS OF MACHINERY, EQUIPMENT OR PARTS WITHOUT THEREBY BECOMING LIABLE TO MAKE SIMILAR CHANGES IN MACHINERY, EQUIPMENT OR PARTS PREVIOUSLY SOLD.



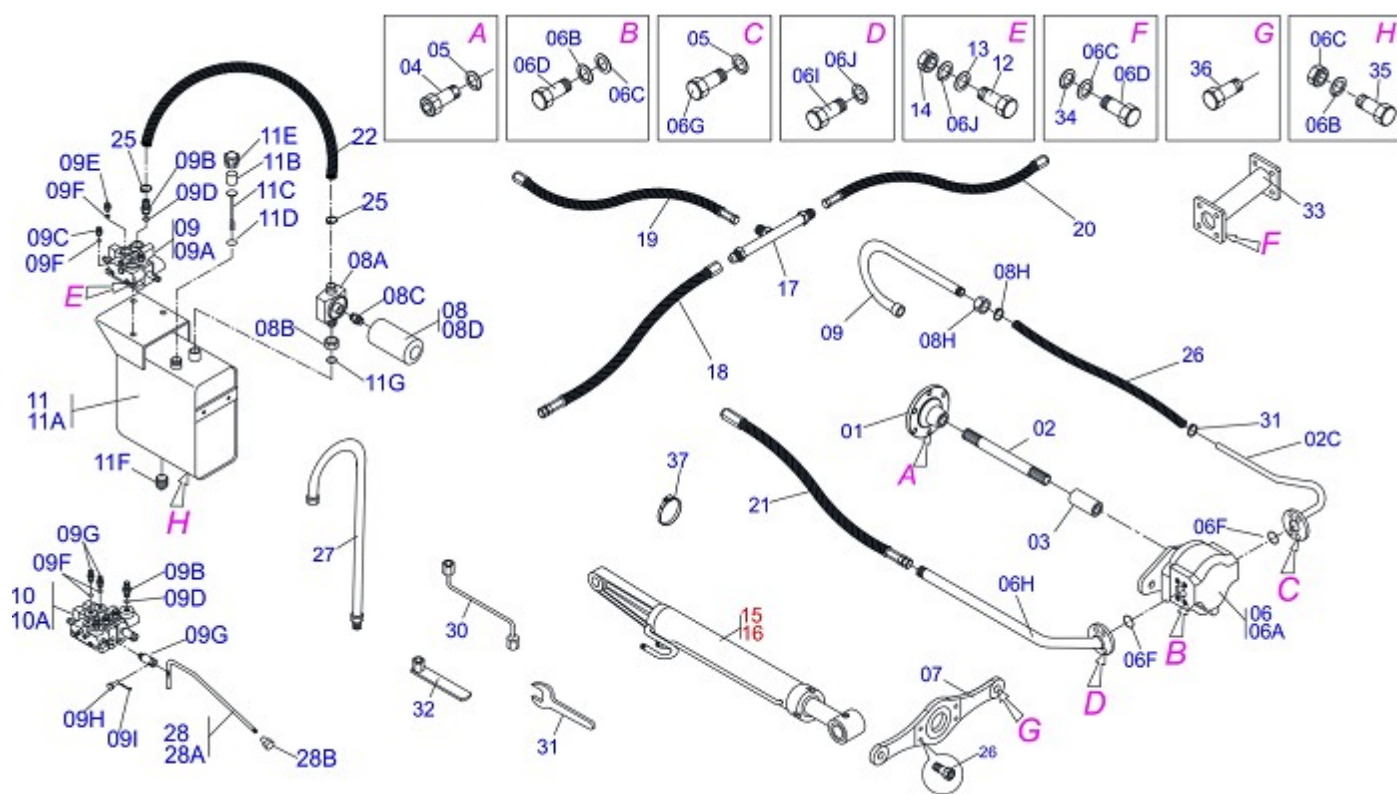
Item	Code	Description	
01	0501066365	RIGHT FRAME	01
02	0501066366	RIGHT FRAME	01
03	0501044433	MOBILE SUPPORT GUIDE ASSY	01
03A	0501067782	MOBILE SUPPORT GUIDE	01
03B	0501063368	REGULATOR SUPPORT	01
03C	0521010618	1.4" X 8.6" COUPLING SHAFT	01
03D	0501017416	37,5 X 90 PIN	01
03E	0503010010	1/4" X 2.1/2" COTTERPIN	02
04	0501044432	MOBILE SUPPORT GUIDE ASSY	01
04A	0501067783	MOBILE SUPPORT GUIDE	01
04B	0501015927	FRONT PROTECTION	01
04C	0503010751	3/8" X 1.1/4" HEX BOLT G.5	03
04D	0501010984	FLAT WASHER	03
04E	0503010026	3/8" NUT	03
05	0501047708	2400 BLADE SUPPORT	01
05A	0501067999	2390 BLADE SUPPORT	01
05B	0622360016	94.5" SCRAPER REVERSIBLE	01
05C	0501012240	5/8" X 2-1/2" BOLT	08
05D	0501010301	FLAT WASHER	08
05E	0503010027	5/8" SPRING WASHER	26
05F	0503010013	5/8" NUT	12
06	0501063411	ESTABILIZER BRACKET	02
07	0501010571	3/4 NC X 3/4 NF X 56 PRISONER	04
08	0501010322	FLAT WASHER	08
09	0503010335	3/4" NUT	04
10	0501016466	FRAME BRACKET	01
11	0501016467	FRAME BRACKET	01
12	0503010002	GREASE FITTING	02
13	0511013560	ATTACHMENT BAR	02
14	0501044434	1" NC X 700 ROD W/NUTS	01
14A	0501014753	1" NC X 700 ROD	01
14B	0501010059	1" NUT HEX	04
15	0501041856	1.1/4" NC X 1430 ROD	02



FRONT LOADER V 785-4

0909090336

Item	Code	Description	
15A	0501014855	1.1/4" X 1430 ROD	01
15B	0502012180	CONICAL SPRING WASHER	02
15C	0501010087	1.1/4" UNC NUT	04
16	0501063958	1.5" X 4.3" PIVOT SHAFT LOCK	02
17	0501063959	PIVOT SHAFT	02
18	0501063751	1.5" X 5.5" PIVOT SHAFT	02
19	0503010962	5/8" X 1-1/4" BOLT	06
20	0108010002	9 TEETH ROOTH RAKER	01
20A	0501060958	9 TEETH ROOTH RAKER	01
20B	0501010276	1" X 3" BOLT	04
20C	0501010065	FLAT WASHER	04
20D	0503010012	1" SPRING WASHER	04
21	0501010572	1 UNC X 1 UNS X 76 PRISONER	04
22	0501010574	FLAT WASHER	04
23	0503010340	1" UNF NUT	04
24	0501010125	3/4" X 2-1/2" BOLT	04
25	0503010023	3/4" SPRING WASHER	04
26	0503010014	3/4" NUT	04
27	0501010100	5/8" X 2" BOLT	06
28	0503011188	M16 X 2 X 50 BOLT	14
29	0501012140	FLAT WASHER	14



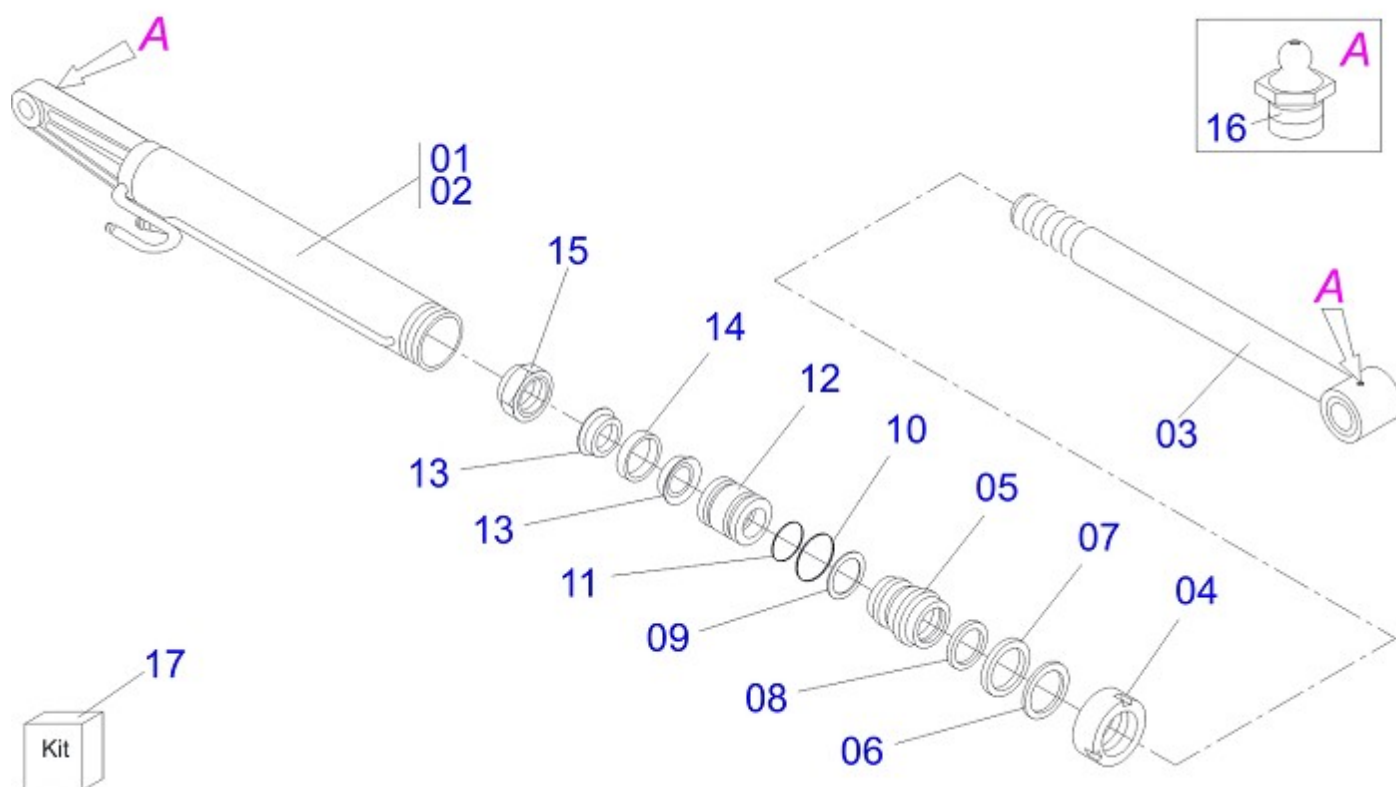
Item	Code	Description	CS	CD
01	0501067343	COUPLING FLANGE	01	01
02	0501068910	355 X 1.1/8" AXLE	01	01
03	0503030838	1-1/8" X 2.4" SLEEVE	01	01
04	0503010728	M10 X 1.2" BOLT	06	06
05	0503010180	7/16" SPRING WASHER	10	10
06	0501041809	PUMP GEAR ASSY	01	01
06A	0503060045	40L 1/2" PUMP	01	01
06B	0511017302	FLAT WASHER	06	06
06C	0503010019	1/2" SPRING WASHER	10	10
06D	0501010063	1/2" X 1-1/2" BOLT	06	06
06E	0501063783	PUMP SUCTION TUBE	01	01
06F	0503010173	2-220 N 3006-9B O'RING	01	01
06G	0503010355	7/16" X 1" BOLT	04	04
06H	0501063784	PUMP PRESSURE TUBE	01	01
06I	0503010237	3/8" X 1" HEX BOLT G5	04	04
06J	0503010025	3/8" SPRING WHASHER	07	07
07	0502010097	PUMP SUPPORT	01	01
08	0501041108	RETURNING FILTER ASSY	01	01
08A	0502050002	RETURNING FILTER HEAD	01	01
08B	0501010594	1" NUT HEX	01	01
08C	0501010595	1" NF NIPPLE	01	01
08D	0503010183	RETURNING FILTER	01	01
09	0501040871	1/2" COMMAND SIMPLE ASSY	01	
09A	0503060080	1/2" COMMAND SIMPLE	01	
09B	0501010591	HOSE NIPPLE	01	01
09C	0501010589	1-1/16 NIPPLE	01	01
09D	0503010602	2-211 N 3006-9B O'RING	02	02
09E	0501010590	7/8" REDUCTION NIPPLE	02	04
09F	0503010045	2-116 N 3006-9B O'RING	02	04
09G	0503030347	UPPER LEVER ASSY (SAUER DANFOSS)	01	02
09H	0501010591	HOSE NIPPLE	01	02
09I	0503010140	1/8" X 3/4" COTTERPIN	01	02
10	0501040873	1/2" DOUBLE COMMAND	01	



HYDRAULIC CIRCUIT V 785-4

0909090337

Item	Code	Description	CS CD
10A	0503060081	1/2" DOUBLE COMMAND	01
11	0501047808	RESERVOIR OIL ASSY	01 01
11A	0501068882	RESERVOIR OIL	01 01
11B	0503030044	FILTERING ELEMENT	01 01
11C	0501060975	OIL GAGE	01 01
11D	0503010185	2-221 N 3006-9B O'RING	01 01
11E	0502020472	TANK COVER BODY	01 01
11F	0503031604	1/2" BSP PLUG	01 01
11G	0503010046	2-216 N 3006-9B O'RING	01 01
11H	0501016309	2" 1X 2.5/16" NUT	01 01
12	0501010080	3/8" X 1-1/2" BOLT	03 03
13	0501010984	FLAT WASHER	03 03
14	0503010026	3/8" NUT	03 03
15	0501044366	44,45 X 85,7 X 955 HYDR CYLINDER	01 01
16	0501044367	HYDRAULIC CYLINDER	01 01
17	0501068942	"T" CONNECTION NIPPLES	02 02
18	0501080035	1/2" X 900 TR-TR HOSE	02 02
19	0501080022	1/2" X 43" TR-TR HOSE ASSY	02 02
20	0501080346	1/2" X 2000 TR-TR HOSE ASSY	02 02
21	0501080232	3/4" X 1100 TR-TR HOSE	01 01
22	0501010596	1" X 750 AB-AB HOSE	01 01
23	0501013929	1.1/4" X 950 AB-AB HOSE	01 01
24	0503010184	1-1/4" TO 1-1/2" CLAMP	02 02
25	0503010243	1-1/2" TO 2" CLAMP	02 02
26	0503010175	3/8" X 1-1/4" BOLT	02 02
27	0501064350	VALVE PRESSURE TUBE	01 01
28	0501041196	CONTROL LEVER ASSY	03 03
28A	0501067556	CONTROL VALVE (V-985-4)	03 03
28B	0503030878	LEVER CRANK	03 03
29	0501063383	TANK OUTER TUBE	01 01
30	0501068213	5/8" WRENCH DOUBLE	01 01
31	0511010153	2-5/16" FIXED WRENCH	01 01
32	0501061617	1" WRENCH CYLINDRICAL HEX	01 01
33	0501066367	EXHAUST	01 01
34	0503010060	1/2" NUT	04 04
35	0501010161	1/2" X 1-1/4" BOLT	04 04
36	0503011188	M16 X 2 X 50 BOLT	02 02
37	0503010246	2" TO 2 1/2" CLAMP	01 01



Item	Code	Description	
00	0501044366	44,45 X 85,7 X 955 HYDR CYLINDER	
00A	0501044367	HYDRAULIC CYLINDER	01
01	0501063606	RH 85,7 X 483 CYLINDER CASE	01
02	0501063607	LH 85,7 X 483 CYLINDER CASE	01
03	0501068012	44,45 X 682 TURNBUCLE	01
04	0502010993	DETACHABLE COVER	01
05	0502010781	RING SUPPORT	01
06	0503010761	D-1750 SCRAPER RING	01
07	0503010990	GASKET	01
08	0503010949	W2-2000-500 PK RING G.E	01
09	0503011060	8-336 BACK-UP RING	01
10	0503010976	2-336 N 3006-9B O'RING	01
11	0503010042	2-214 N 3006-9B O'RING	01
12	0502010843	1.8" X 3.4" PISTON	01
13	0503010170	PACKING 3120 2750	02
14	0503010948	W4-3346-590 PK RING G.E	01
15	0503010063	1" SELF-ALIGNING NUT	01
16	0503010002	GREASE FITTING	02
17	0501031796	HYDRAULIC CYLINDER REPAIR KIT	



MARCHESAN

MARCHESAN IMPLEMENTOS E MÁQUINAS AGRÍCOLAS TATU S.A.

AV. Marchesan, 1979 - Post office box, 131 - CEP 15994-900 - Matão - SP - Brazil

Phone +55 16.3382-8282

(FAX Parts) + 55 16.3382. 8297 - (Export) + 55 16.3382.1003

e.mail: tatu@marchesan.com.br www.marchesan.com.br

*Drafting and Illustration = GASPARI
e.mail = jgaspari@marchesan.com.br*

**ORIGINAL PARTS
TATU**



MARCHESAN