

# PARTS CATALOG

## FRONT LOADER

### PD VALMET 785 S-1188

Code: 0501091410



Series: S-1188

Review: NOVEMBRO/88

ORIGINAL PARTS  
TATU

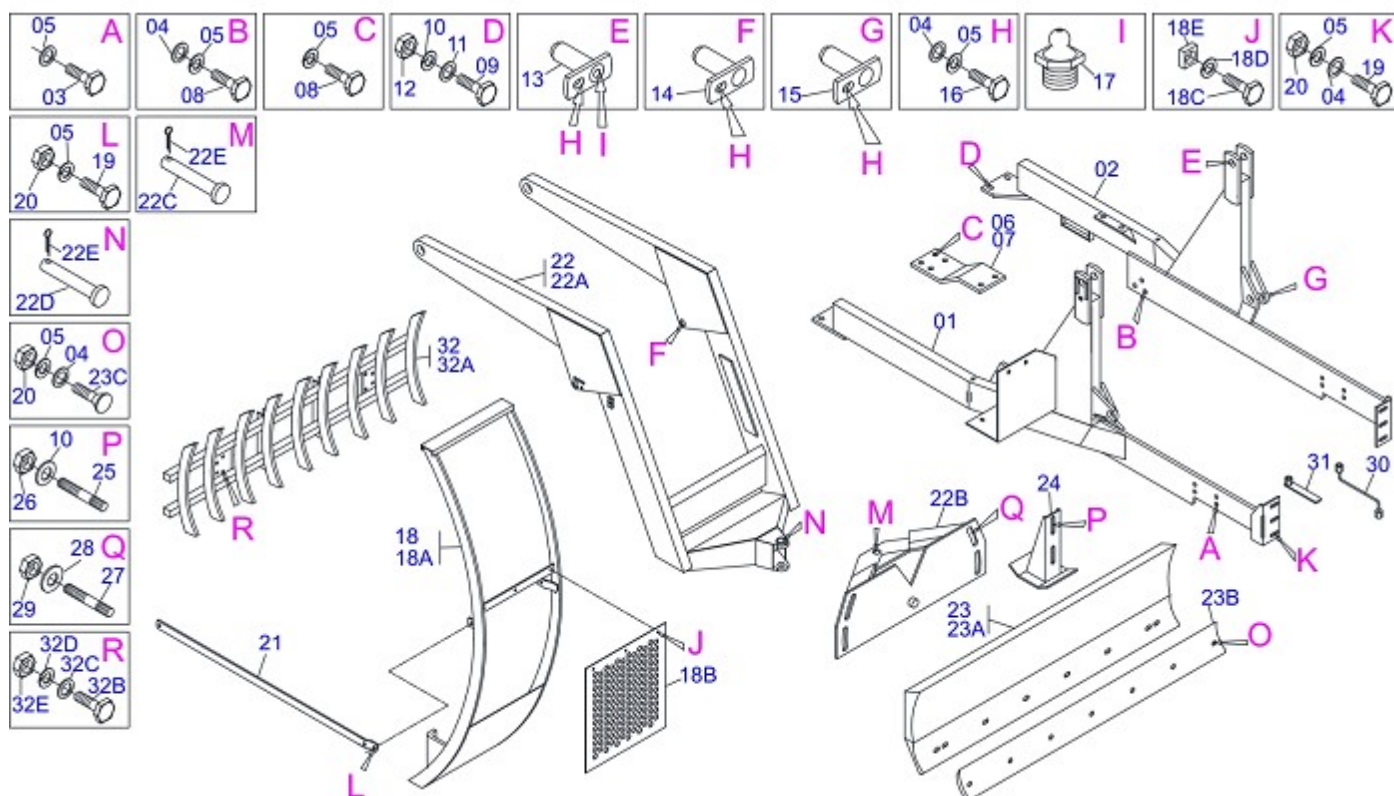


# INDEX

0909090303	FRONT LOADER V 785	.....	1
0909090306	HYDRAULIC CIRCUIT V 785	.....	2
0909090313	HYDRAULIC CYLINDER	.....	3

**ATTENTION: IMPORTANT**

MARCHESAN RESERVES THE RIGHT AT ANY TIME TO MAKE IMPROVEMENTS IN THE DESIGN, MATERIAL OR SPECIFICATIONS OF MACHINERY, EQUIPMENT OR PARTS WITHOUT THEREBY BECOMING LIABLE TO MAKE SIMILAR CHANGES IN MACHINERY, EQUIPMENT OR PARTS PREVIOUSLY SOLD.



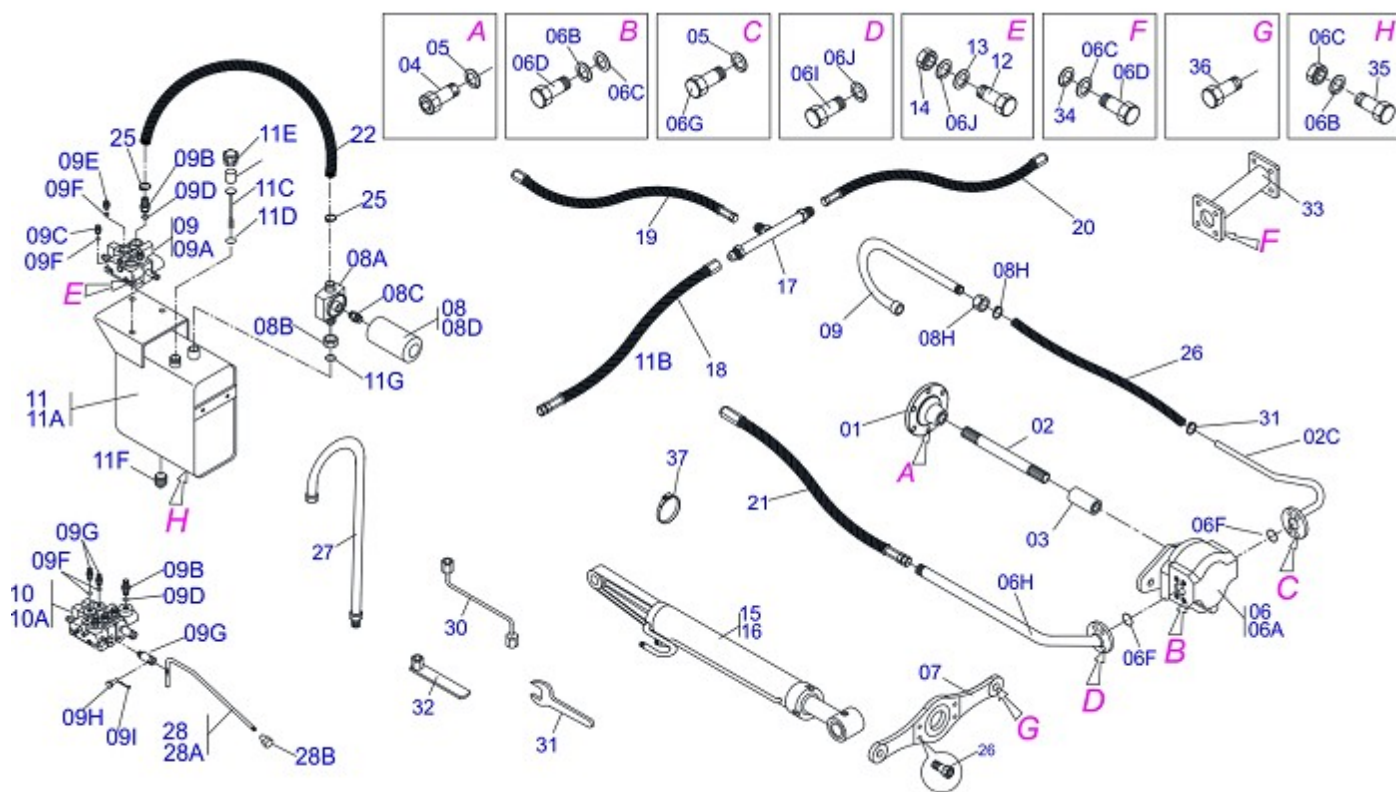
Item	Code	Description	QT
01	0501063852	RIGHT FRAME	01
02	0501063853	LEFT FRAME	01
03	0503011188	M16 X 2 X 50 BOLT	08
04	0501012140	FLAT WASHER	20
05	0503010027	5/8" SPRING WASHER	36
06	0501016466	FRAME BRACKET	01
07	0501016467	FRAME BRACKET	01
08	0503010148	M16 X 2 X 40 BOLT	14
09	0501010125	3/4" X 2-1/2" BOLT	04
10	0501010322	FLAT WASHER	12
11	0503010023	3/4" SPRING WASHER	04
12	0503010014	3/4" NUT	04
13	0501063752	1.5" X 4.5" PIVOT SHAFT LOCK	02
14	0501063957	1.5" X 3.7 PIVOT SHAFT LOCK	02
15	0501063958	1.5" X 4.3" PIVOT SHAFT LOCK	02
16	0503010962	5/8" X 1-1/4" BOLT	06
17	0503010002	GREASE FITTING	02
18	0501041201	MOBILE SUPPORT GUIDE ASSY	01
18A	0501060914	MOBILE SUPPORT GUIDE	01
18B	0501015927	FRONT PROTECTION	01
18C	0503010751	3/8" X 1.1/4" HEX BOLT G.5	03
18D	0503010025	3/8" SPRING WHASHER	03
18E	0501011338	3/8" SQUARE NUT	03
19	0501010100	5/8" X 2" BOLT	06
20	0503010013	5/8" NUT	13
21	0501016465	ATTACHMENT BAR	02
22	0501042517	MOBILE SUPPORT ASSY	01
22A	0501063684	MOBILE SUPPORT	01
22B	0501063368	REGULATOR SUPPORT	01
22C	0521010612	1.4" X 3.5" COUPLING SHAFT	01
22D	0521010618	1.4" X 8.6" COUPLING SHAFT	01
22E	0503010010	1/4" X 2.1/2" COTTERPIN	02
23	0501047707	2000 BLADE SUPPORT	01



FRONT LOADER V 785

0909090303

Item	Code	Description	QT
23A	0501067998	1990MM BLADE SUPPORT	01
23B	0622360015	2000 SCRAPER REVERSIBLE	01
23C	0501012240	5/8" X 2-1/2" BOLT	07
24	0501063411	ESTABILIZER BRACKET	02
25	0501010571	3/4 NC X 3/4 NF X 56 PRISONER	04
26	0503010335	3/4" NUT	04
27	0501010572	1 UNC X 1 UNS X 76 PRISONER	04
28	0501010574	FLAT WASHER	04
29	0503010340	1" UNF NUT	04
30	0501068213	5/8" WRENCH DOUBLE	01
31	0501061617	1" WRENCH CYLINDRICAL HEX	01
32	0108010001	REFUSE RAKER	01
32A	0501060924	REFUSE RAKER	01
32B	0501010276	1" X 3" BOLT	04
32C	0501010065	FLAT WASHER	04
32D	0503010012	1" SPRING WASHER	04
32E	0501010059	1" NUT HEX	04



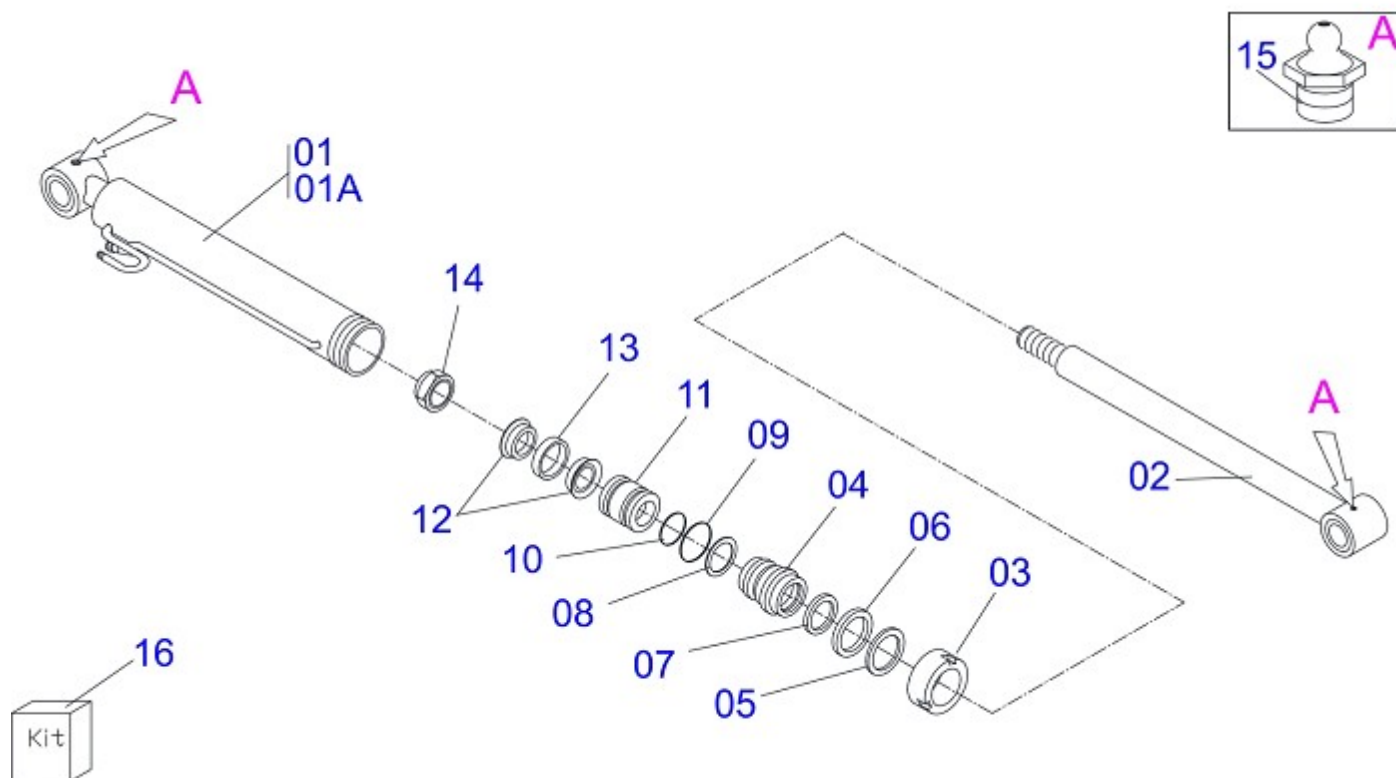
Item	Code	Description	QT
01	0501047530	COUPLING ASSY	01
01A	0501067343	COUPLING FLANGE	01
01B	0501068851	355 X 7/8" AXLE	01
01C	0503030043	61 SLEEVE	01
01D	0503010728	M10 X 1.2" BOLT	06
01E	0503010180	7/16" SPRING WASHER	10
02	0501040956	20L 7/8" PUMP	01
02A	0503060074	20L 3/8" PUMP	01
02B	0503011109	2-119 N 3006-9B O'RING	01
02C	0501010589	1-1/16 NIPPLE	01
02D	0503010190	2-114 N 3006-9B O'RING	01
02E	0501010590	7/8" REDUCTION NIPPLE	01
03	0502010198	PUMP SUPPORT	01
04	0501010161	1/2" X 1-1/4" BOLT	04
05	0503010019	1/2" SPRING WASHER	04
06	0503010175	3/8" X 1-1/4" BOLT	02
07	0503011188	M16 X 2 X 50 BOLT	02
08	0503010025	3/8" SPRING WHASHER	05
09	0501046828	RESERVOIR OIL ASSY	01
09A	0501068067	RESERVOIR OIL	01
09B	0502020472	TANK COVER BODY	01
09C	0503030044	FILTERING ELEMENT	01
09D	0501060975	OIL GAGE	01
09E	0503010185	2-221 N 3006-9B O'RING	01
09F	0503031604	1/2" BSP PLUG	01
09G	0503010046	2-216 N 3006-9B O'RING	01
09H	0501016309	2" 1X 2.5/16" NUT	01
10	0501063729	TANK OUTER TUBE	01
11	0501040959	RETURNING FILTER ASSY	01
11A	0502050002	RETURNING FILTER HEAD	01
11B	0501010594	1" NUT HEX	01
11C	0501010595	1" NF NIPPLE	01
11D	0503010545	RETURNING FILTER	01



## HYDRAULIC CIRCUIT V 785

0909090306

Item	Code	Description	QT
12	0501040976	3/8" CCOMMAND SIMPLE	01
12A	0503060078	3/8" COMMAND SIMPLE	01
12B	0501011806	1" HOSE NIPPLE	01
12C	0511018014	7/8"NF X 1.1/16 UN NIPPLE	01
12D	0503010045	2-116 N 3006-9B O'RING	04
12E	0501010590	7/8" REDUCTION NIPPLE	02
12F	0503011050	LOWER LEVER	01
12G	0521010532	0.3" X 0.9" COUPLING SHAFT	01
12H	0503010140	1/8" X 3/4" COTTERPIN	01
13	0501048635	CONTROL VALVE ASSY	01
13A	0511060694	CONTROL VALVE	01
13B	0503030878	LEVER CRANK	01
14	0501010080	3/8" X 1-1/2" BOLT	05
15	0501010984	FLAT WASHER	03
16	0503010026	3/8" NUT	03
17	0501040951	HYDRAULIC CYLINDER	01
17A	0501040952	HYDRAULIC CYLINDER	01
18	0501064407	VALVE PRESSURE TUBE	01
19	0501064408	OIL TUBE	02
20	0501080381	3/8" X 1250 TR-TR HOSE ASSY	02
21	0501080483	3/8" X 2200 TR-TR HOSE	02
22	0501080024	1/2" X 700 TR-TR HOSE	01
23	0501010596	1" X 750 AB-AB HOSE	01
24	0501010610	1" X 800 AB-AB HOSE	01
25	0501080167	1/2" X 3000 TR-TM HOSE	02
26	0503010184	1-1/4" TO 1-1/2" CLAMP	04
27	0511010153	2-5/16" FIXED WRENCH	01
28	0511017302	FLAT WASHER	04
29	0501041024	3/8" DOUBLE CONTROL VALVE	01
29A	0503060079	3/8" DOUBLE COMMAND VALVE	01
30	0501063727	PUMP SUCTION TUBE	01
31	0501063728	PUMP PRESSURE TUBE	01
32	0503010027	5/8" SPRING WASHER	02
33	0501053835	FEMALE QUICK COUPLER	02
34	0511013882	QUICK COUPLING SUPPORT	01
35	0503010217	501040 CLAMPING RING (FOR AXLE)	04
36	0501068777	EXHAUST	01
37	0503011135	7/16" X 1-1/2" BOLT	02
38	0503010244	7/16" NUT	02



Item	Code	Description	QT
00	0501040951	HYDRAULIC CYLINDER	
00A	0501040952	HYDRAULIC CYLINDER	
01	0501063470	63,50 X 487 CYLINDER CASE	01
01A	0501063471	63,50 X 487 CYLINDER CASE	01
02	0501060929	38,10 TURNBUCLE	01
03	0502010471	DETACHABLE COVER	01
04	0502010780	RING SUPPORT	01
05	0503010163	D-1500 SCRAPER RING	01
06	0503010989	1870-1500-375-B GASKET	01
07	0503010970	W1-1650-500 PK RING G.E	01
08	0503011058	8-330 BACK-UP RING	01
09	0503010161	2-330 N 3006 9B O'RING	01
10	0503010285	2-222 N 3006-9B O'RING	01
11	0502010783	1.5" X 2.5" PISTON	01
12	0503010160	2500 2000 GASKET	02
13	0503010973	W2-2500-500 PK RING G.E	01
14	0503010063	1" SELF-ALIGNING NUT	01
15	0503010002	GREASE FITTING	02
16	0501032666	HYDRAULIC CYLINDER REPAIR KIT	







**MARCHESAN**

**MARCHESAN IMPLEMENTOS E MÁQUINAS AGRÍCOLAS TATU S.A.**

AV. Marchesan, 1979 - Post office box, 131 - CEP 15994-900 - Matão - SP - Brazil

Phone +55 16.3382-8282

(FAX Parts) + 55 16.3382. 8297 - (Export) + 55 16.3382.1003

e.mail: [tatu@marchesan.com.br](mailto:tatu@marchesan.com.br) [www.marchesan.com.br](http://www.marchesan.com.br)

*Drafting and Illustration = GASPARI  
e.mail = [jgaspari@marchesan.com.br](mailto:jgaspari@marchesan.com.br)*

**ORIGINAL PARTS  
TATU**



**MARCHESAN**