

# **PARTS CATALOG**

## **FRONT LOADER**

**PD MF L600 660-4 SHT S-0195**

**Code: 0501091404**



**Series: S-0195**

**Review: JANEIRO/95**

**ORIGINAL PARTS  
TATU**

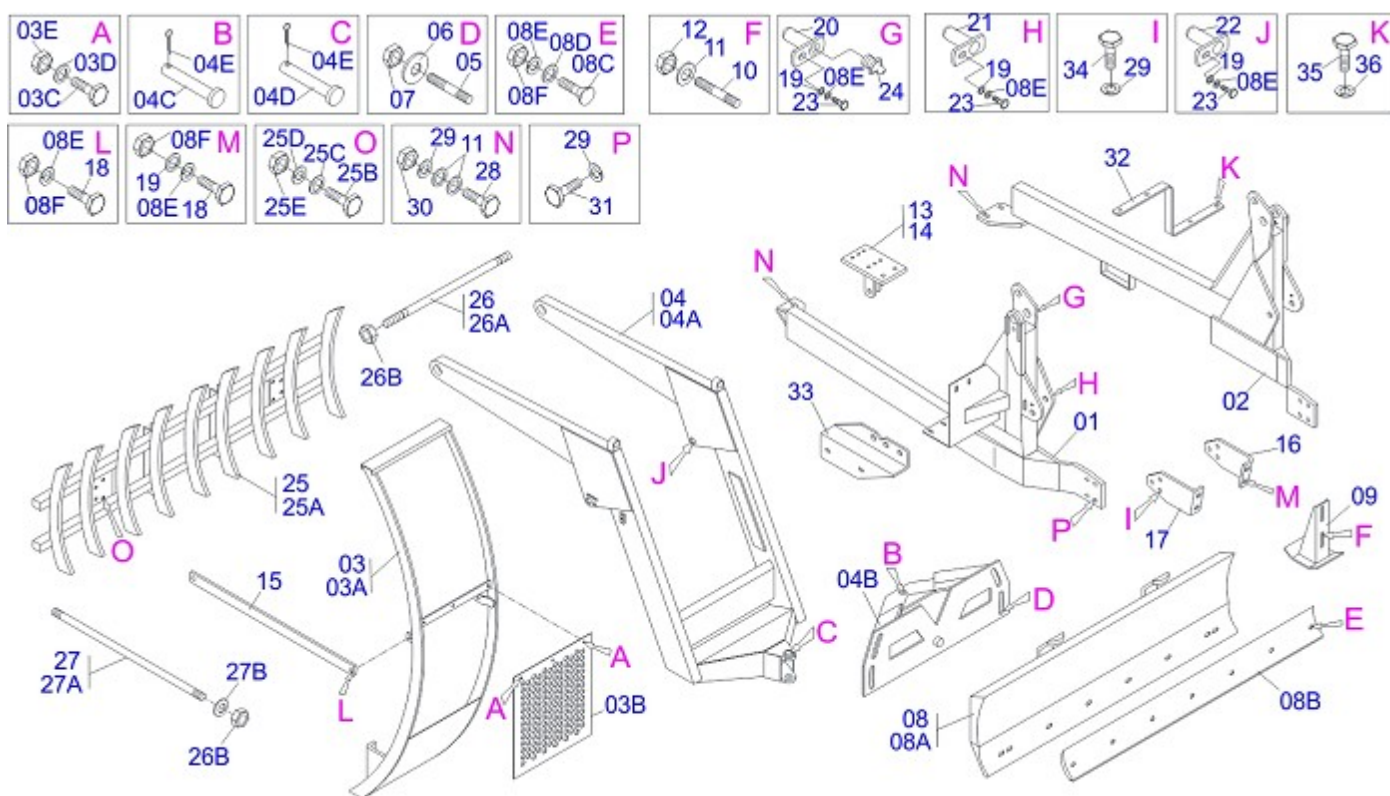


# INDEX

0909091295	.....	1
0909091298	.....	2
0909091296	HYDRAULIC CIRCUIT .....	3

**ATTENTION: IMPORTANT**

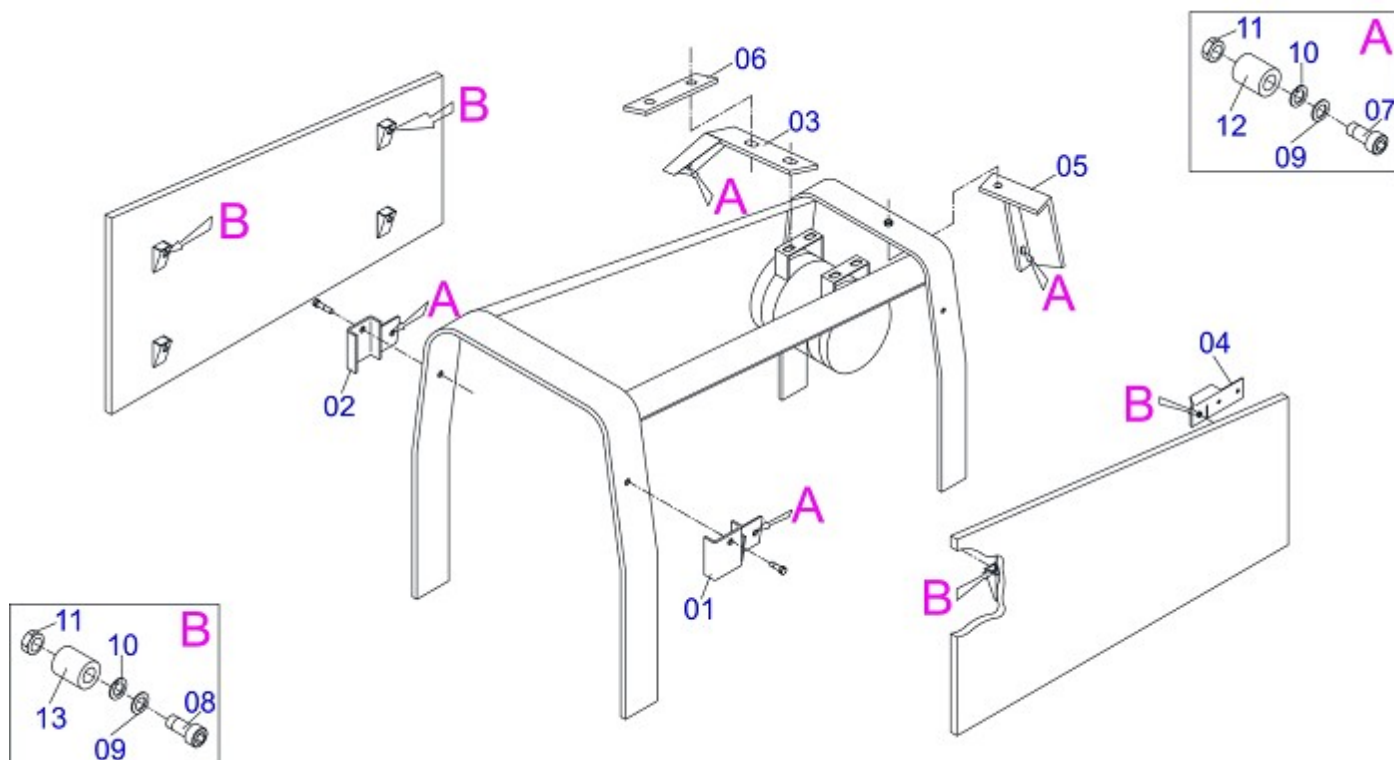
MARCHESAN RESERVES THE RIGHT AT ANY TIME TO MAKE IMPROVEMENTS IN THE DESIGN, MATERIAL OR SPECIFICATIONS OF MACHINERY, EQUIPMENT OR PARTS WITHOUT THEREBY BECOMING LIABLE TO MAKE SIMILAR CHANGES IN MACHINERY, EQUIPMENT OR PARTS PREVIOUSLY SOLD.



Item	Code	Description	
01	0501067040	RIGHT FRAME	01
02	0501067041	LEFT FRAME	01
03	0501044583		01
03A	0501067784		01
03B	0511014657		01
03C	0503010751	3/8" X 1.1/4" HEX BOLT G.5	03
03D	0501010984	FLAT WASHER	03
03E	0503010026	3/8" NUT	03
04	0501044604	MOBILE SUPPORT ASSY	01
04A	0501066834	MOBILE SUPPORT	01
04B	0501062637	5/8" REGULATOR SUPPORT	01
04C	0521010618	1.4" X 8.6" COUPLING SHAFT	01
04D	0521010613	1.4" X 3.9" COUPLING SHAFT	01
04E	0503010010	1/4" X 2.1/2" COTTERPIN	02
05	0501010572	1 UNC X 1 UNS X 76 PRISONER	04
06	0501010574	FLAT WASHER	04
07	0503010340	1" UNF NUT	04
08	0501047710	2600MM BLADE SUPPORT ASSY	01
08A	0501068001	2590MM BLADE SUPPORT ASSY	01
08B	0622360011	2600 SCRAPER REVERSIBLE	01
08C	0501812240		08
08D	0501810301	FLAT WASHER	08
08E	0503011445	5/8" SPRING WASHER	20
08F	0503810013	5/8" NUT	14
09	0501063411	ESTABILIZER BRACKET	02
10	0501010571	3/4 NC X 3/4 NF X 56 PRISONER	04
11	0501010322	FLAT WASHER	12
12	0503010335	3/4" NUT	04
13	0501067262		01
14	0501067263		01
15	0511015529		02
16	0511017248		01
17	0511017249		01

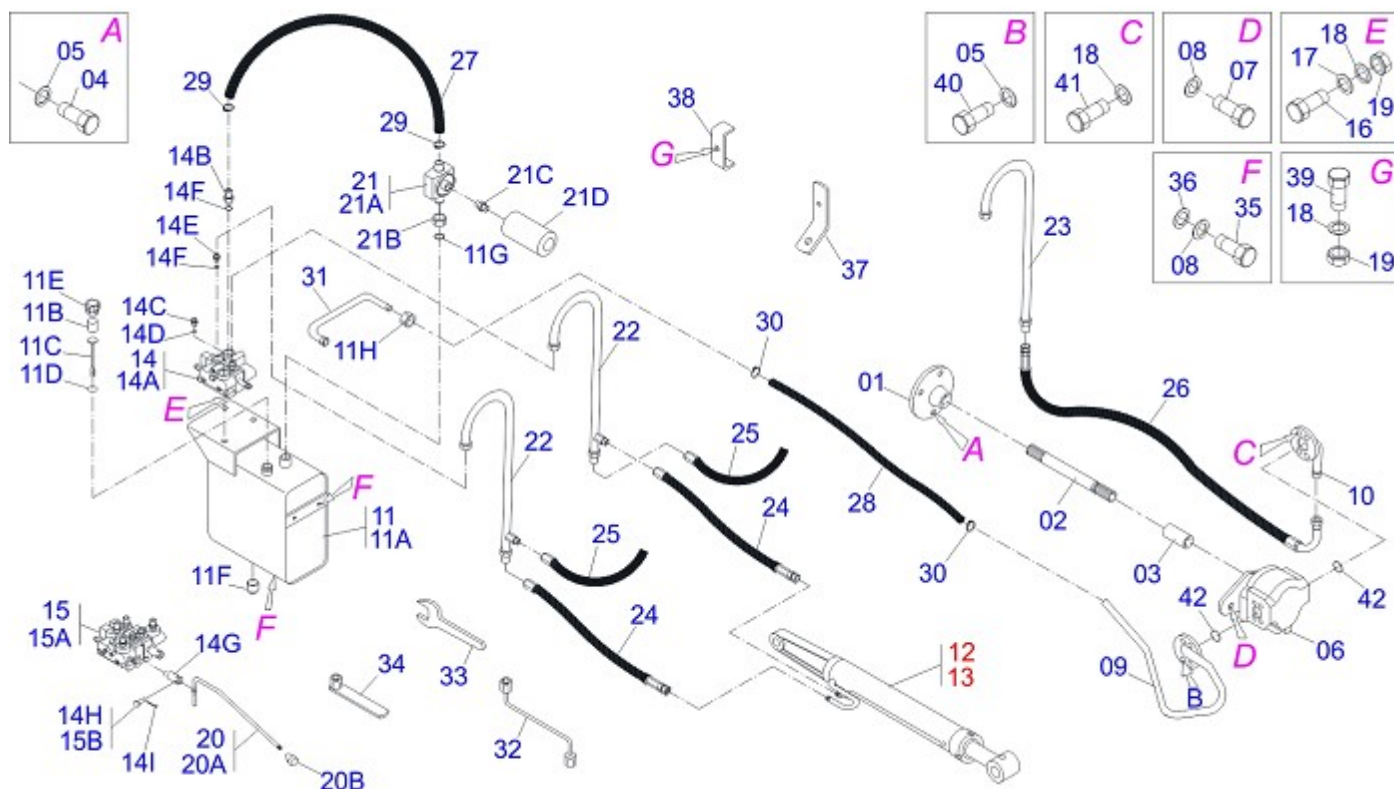


Item	Code	Description	
18	0501010100	5/8" X 2" BOLT	06
19	0501012140	FLAT WASHER	10
20	0501063958	1.5" X 4.3" PIVOT SHAFT LOCK	02
21	0501063959	PIVOT SHAFT	02
22	0501063751	1.5" X 5.5" PIVOT SHAFT	02
23	0503010962	5/8" X 1-1/4" BOLT	06
24	0503010002	GREASE FITTING	02
25	0108010002	9 TEETH ROOTH RAKER	02
25A	0501060958	9 TEETH ROOTH RAKER	01
25B	0501010276	1" X 3" BOLT	04
25C	0501010623	FLAT WASHER	04
25D	0503010012	1" SPRING WASHER	04
25E	0503010059	33287/33462 ROLLER BEARING	04
26	0501041849	1.1/4" NC X 910 ROD	01
26A	0501014914	1.1/4" X 910 ROD	01
26B	0501010087	1.1/4" UNC NUT	12
27	0501041427	1.1/4" NC X 1540 ROD	01
27A	0501014250	1.1/4" X 1540 ROD	01
27B	0502012180	CONICAL SPRING WASHER	02
28	0501010500	3/4" X 3" BOLT	04
29	0503010023	3/4" SPRING WASHER	18
30	0503010014	3/4" NUT	04
31	0501018059	3/4" X 2-1/4" BOLT	08
32	0531017226		02
33	0511016977		01
34	0501011544	3/4" X 1-1/2" BOLT	06
35	0503011102	7/16" X 1-1/4" BOLT	04
36	0503010180	7/16" SPRING WASHER	04



Item	Code	Description	
01	0501066793	RH FIXER SUPPORT HOOD	01
02	0501066794	LH FIXER SUPPORT HOOD	01
03	0501066795	LH HOOD FIXER REAR SUPPORT	01
04	0501068307	RH HOOD CUSHION FRONT SUPPORT	01
05	0511066525	RH HOOD FIXER SUPPORT	01
06	0531015896	HOOD FIXER LOCK SUPPORT	01
07	0503010376	5/16" X 1" BOLT	04
08	0503011363	5/16" X 1-1/4" BOLT	04
09	0501010694	FLAT WASHER	08
10	0503010179	5/16" SPRING WASHER	08
11	0503010337	5/16" NUT	08
12	0503011314	SUPPORT	04
13	0503011315	SHOCK ABSORBER	04

HYDRAULIC CIRCUIT



Item	Code	Description	CS	CD
01	0503050056	FLANGE COUPLING	01	01
02	0503030881	695 X 1.1/8 STRIATED X 1.1/8-30G AXLE	01	01
03	0503030838	1-1/8" X 2.4" SLEEVE	01	01
04	0503010119	7/16" X 1-1/4" BOLT	04	04
05	0503010180	7/16" SPRING WASHER	08	08
06	0503060153	40L 1/2" PUMP	01	01
07	0503010920	1/2" X 1.1/2" BOLT	02	02
08	0503010019	1/2" SPRING WASHER	06	06
09	0501066833	PUMP SUCTION TUBE	01	01
10	0501066832	PUMP PRESSURE TUBE	01	01
11	0501047808	RESERVOIR OIL ASSY	01	01
11A	0501068882	RESERVOIR OIL	01	01
11B	0503030044	FILTERING ELEMENT	01	01
11C	0501060975	OIL GAGE	01	01
11D	0503010185	2-221 N 3006-9B O'RING	01	01
11E	0502020472	TANK COVER BODY	01	01
11F	0503031604	1/2" BSP PLUG	01	01
11G	0503010046	2-216 N 3006-9B O'RING	01	01
11H	0501016309	2" 1X 2.5/16" NUT	01	01
12	0501040161	RIGHT HYDRAULIC CYLINDER	01	01
13	0501040162	LEFT HYDRAULIC CYLINDER	01	01
14	0501040871	1/2" COMMAND SIMPLE ASSY	01	
14A	0503060080	1/2" COMMAND SIMPLE	01	
14B	0501010591	HOSE NIPPLE	01	01
14C	0501010589	1-1/16 NIPPLE	01	01
14D	0503010602	2-211 N 3006-9B O'RING	02	02
14E	0501010590	7/8" REDUCTION NIPPLE	02	04
14F	0503010045	2-116 N 3006-9B O'RING	02	04
14G	0503030347	UPPER LEVER ASSY (SAUER DANFOSS)	01	02
14H	0503010593	2-154 N 3000-7B O'RING	01	
14I	0503010140	1/8" X 3/4" COTTERPIN	01	02
15	0501040873	1/2" DOUBLE COMMAND	01	
15A	0503060081	1/2" DOUBLE COMMAND	01	



## HYDRAULIC CIRCUIT

0909091296

Item	Code	Description	CS CD
15B	0521010532	0.3" X 0.9" COUPLING SHAFT	02
16	0501010080	3/8" X 1-1/2" BOLT	03 03
17	0501010984	FLAT WASHER	03 03
18	0503010025	3/8" SPRING WHASHER	08 08
19	0503010026	3/8" NUT	04 04
20	0501045092	CONTROL LEVER ASSY	01 02
20A	0501067116	CONTROL LEVER ASSY	01 01
20B	0503030878	LEVER CRANK	01 01
21	0501041108	RETURNING FILTER ASSY	01 01
21A	0502050002	RETURNING FILTER HEAD	01 01
21B	0501010594	1" NUT HEX	01 01
21C	0501010595	1" NF NIPPLE	01 01
21D	0503010183	RETURNING FILTER	01 01
22	0501068945	CURVED CONNECTION	02 02
23	0501064350	VALVE PRESSURE TUBE	01 01
24	0501080033		02 02
25	0501080102	1/2" X 2200 TR-TR HOSE	02 02
26	0501080202		01 01
27	0501013822	1" X 25.6" AB-AB HOSE	01 01
28	0501013823		01 01
29	0503010184	1-1/4" TO 1-1/2" CLAMP	02 02
30	0503010243	1-1/2" TO 2" CLAMP	02 02
31	0501067815	TANK OUTER TUBE	01 01
32	0501068213	5/8" WRENCH DOUBLE	01 01
33	0511010153	2-5/16" FIXED WRENCH	01 01
34	0501061617	1" WRENCH CYLINDRICAL HEX	01 01
35	0501010161	1/2" X 1-1/4" BOLT	04 04
36	0511017302	FLAT WASHER	04 04
37	0511014792		01 01
38	0511012725	CLAMP DISTRIBUTOR OIL	01 01
39	0501011048	3/8" X 2-1/2" BOLT	01 01
40	0503010355	7/16" X 1" BOLT	04 04
41	0503010237	3/8" X 1" HEX BOLT G5	04 04
42	0503010173	2-220 N 3006-9B O'RING	02 02

# **ANNOTATIONS**

---

---

---

---

---

---

---

---

---

---

---

---

---

---

---

---

---

---

---

---

---

---

---

---

---

---

---

---

---

---

**ORIGINAL PARTS  
TATU**







**MARCHESAN IMPLEMENTOS E MÁQUINAS AGRÍCOLAS TATU S.A.**  
AV. Marchesan, 1979 - Post office box, 131 - CEP 15994-900 - Matão - SP - Brazil  
Phone +55 16.3382-8282  
(FAX Parts) + 55 16.3382. 8297 - (Export) + 55 16.3382.1003  
e.mail: [tatu@marchesan.com.br](mailto:tatu@marchesan.com.br)    [www.marchesan.com.br](http://www.marchesan.com.br)

*Drafting and Illustration = GASPARI*  
*e.mail = [jgaspari@marchesan.com.br](mailto:jgaspari@marchesan.com.br)*

**ORIGINAL PARTS  
TATU**

