

PARTS CATALOG

FRONT LOADER

PD MF 297-4/299-4 SHT S-0797

Code: 0501091403



Series: S-0797

Review: JULHO/97

ORIGINAL PARTS
TATU

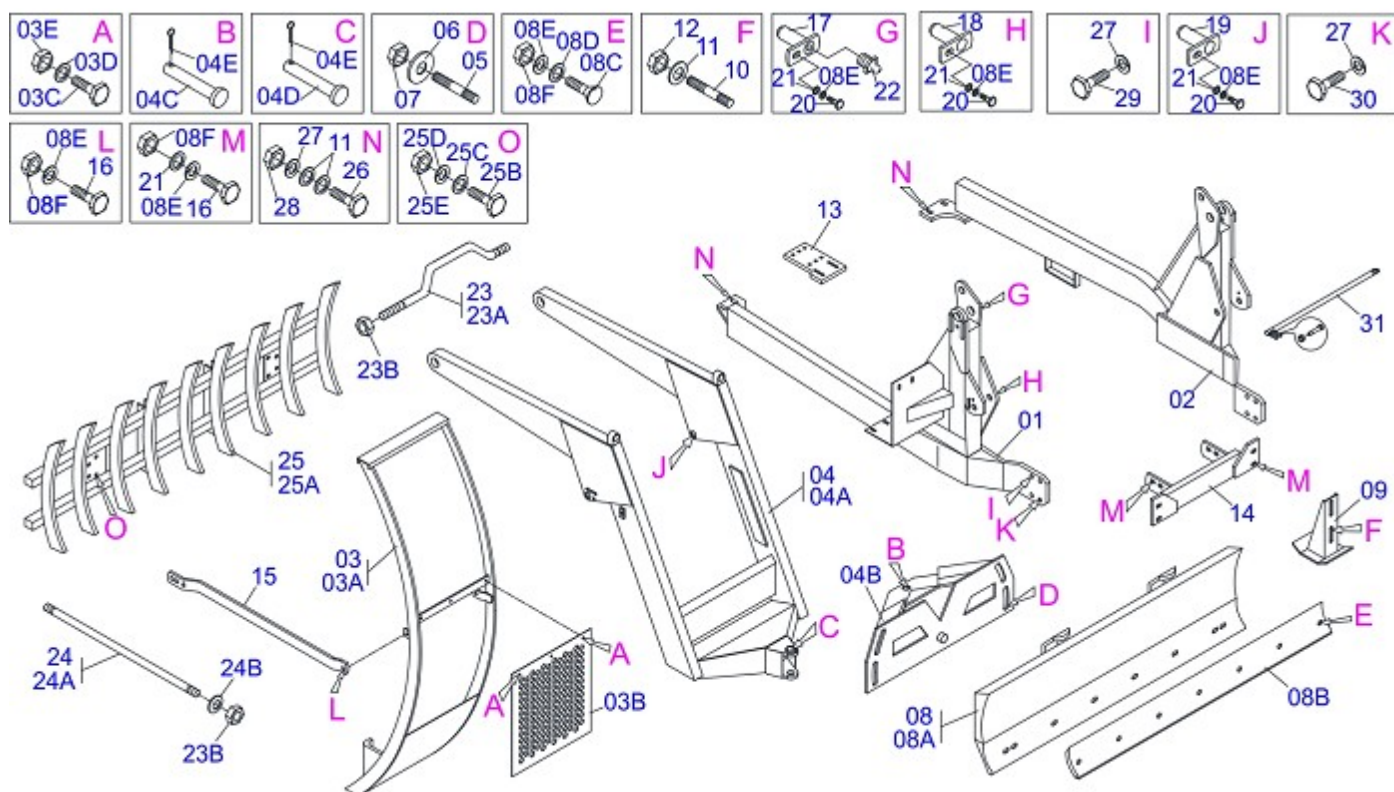


INDEX

0909091273	1
0909091275	HYDRAULIC CIRCUIT	2

ATTENTION: IMPORTANT

MARCHESAN RESERVES THE RIGHT AT ANY TIME TO MAKE IMPROVEMENTS IN THE DESIGN, MATERIAL OR SPECIFICATIONS OF MACHINERY, EQUIPMENT OR PARTS WITHOUT THEREBY BECOMING LIABLE TO MAKE SIMILAR CHANGES IN MACHINERY, EQUIPMENT OR PARTS PREVIOUSLY SOLD.

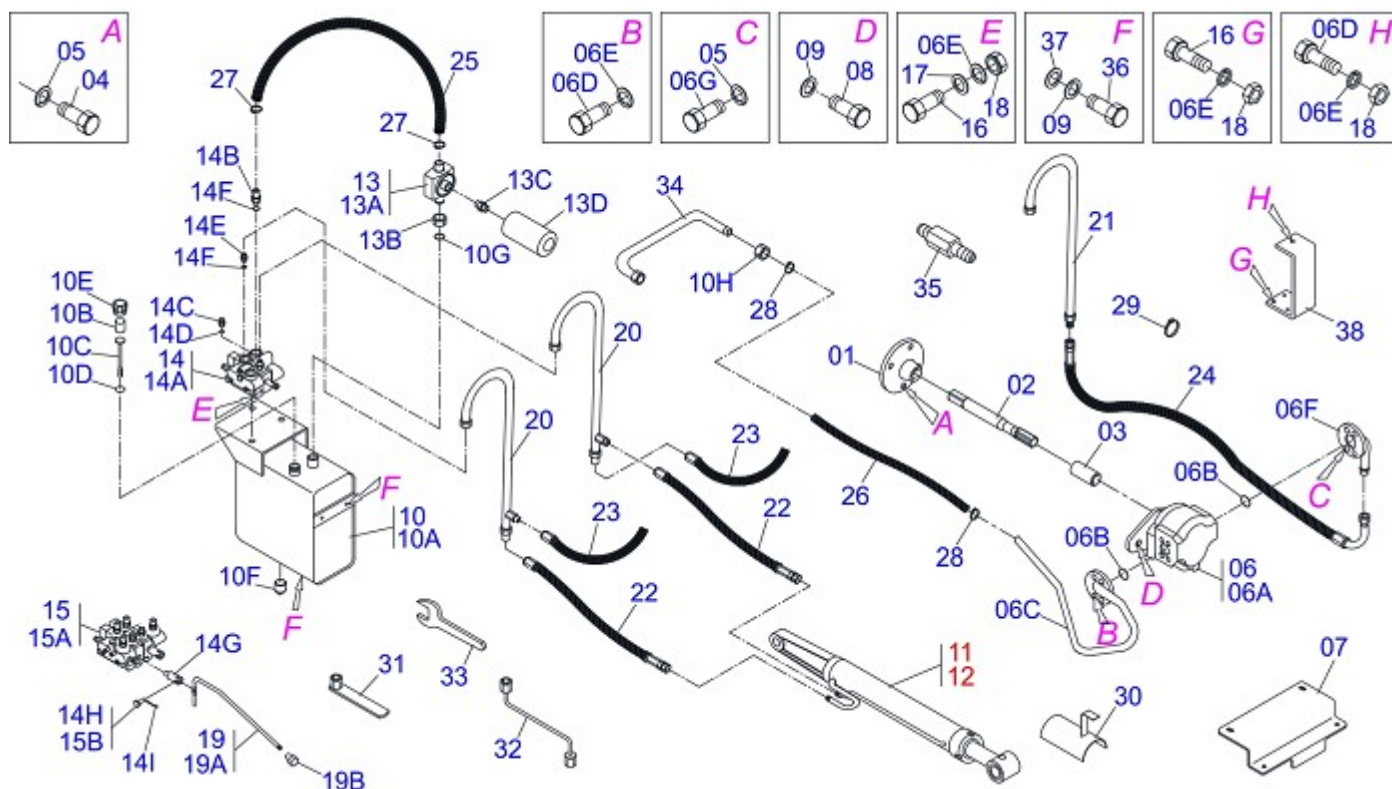


Item	Code	Description	
01	0501063891	RIGHT FRAME	01
02	0501064218	LEFT FRAME	01
03	0501047978		01
03A	0501069169		01
03B	0501014214		01
03C	0503010751	3/8" X 1.1/4" HEX BOLT G.5	03
03D	0501010984	FLAT WASHER	03
03E	0503010026	3/8" NUT	03
04	0501042513		01
04A	0501063701		01
04B	0501062637	5/8" REGULATOR SUPPORT	01
04C	0521010618	1.4" X 8.6" COUPLING SHAFT	01
04D	0521010613	1.4" X 3.9" COUPLING SHAFT	01
04E	0503010010	1/4" X 2.1/2" COTTERPIN	02
05	0501010572	1 UNC X 1 UNS X 76 PRISONER	04
06	0501010574	FLAT WASHER	04
07	0503010340	1" UNF NUT	04
08	0501047710	2600MM BLADE SUPPORT ASSY	01
08A	0501068001	2590MM BLADE SUPPORT ASSY	01
08B	0622360011	2600 SCRAPER REVERSIBLE	01
08C	0501012240	5/8" X 2-1/2" BOLT	08
08D	0501010301	FLAT WASHER	08
08E	0503010027	5/8" SPRING WASHER	24
08F	0503010013	5/8" NUT	18
09	0501063411	ESTABILIZER BRACKET	02
10	0501010571	3/4 NC X 3/4 NF X 56 PRISONER	04
11	0501010322	FLAT WASHER	12
12	0503010335	3/4" NUT	04
13	0501014778	FRAME BRACKET	02
14	0501062883		01
15	0501062748		02
16	0501010100	5/8" X 2" BOLT	10
17	0501063751	1.5" X 5.5" PIVOT SHAFT	02



Item	Code	Description	
18	0501063958	1.5" X 4.3" PIVOT SHAFT LOCK	02
19	0501063959	PIVOT SHAFT	02
20	0503010962	5/8" X 1-1/4" BOLT	06
21	0501012140	FLAT WASHER	14
22	0503010002	GREASE FITTING	02
23	0501047774	1.1/4" X 33.46" ROD	01
23A	0521010387	1.1/4" X 33.46" ROD CURVED	01
23B	0501010087	1.1/4" UNC NUT	12
24	0501041856	1.1/4" NC X 1430 ROD	02
24A	0501014855	1.1/4" X 1430 ROD	01
24B	0502012180	CONICAL SPRING WASHER	02
25	0108010002	9 TEETH ROOTH RAKER	02
26	0501010500	3/4" X 3" BOLT	04
27	0503010023	3/4" SPRING WASHER	12
28	0503010014	3/4" NUT	04
29	0501010098	3/4" X 2" BOLT	06
30	0503010797	3/4" X 4" BOLT	02
31	0503031009	BATTERY POSITIVE CABLE	01

HYDRAULIC CIRCUIT



Item	Code	Description	CS	CD
01	0503050056	FLANGE COUPLING	01	01
02	0511062958	420 X 1.1/8 STRIATED X 1.1/8-30G AXLE	01	01
03	0503030838	1-1/8" X 2.4" SLEEVE	01	01
04	0503010119	7/16" X 1-1/4" BOLT	04	04
05	0503010180	7/16" SPRING WASHER	08	08
06	0501052129	PUMP WITH TUBE	01	01
06A	0503060045	40L 1/2" PUMP	01	01
06B	0503010173	2-220 N 3006-9B O'RING	02	02
06C	0501069661	PUMP PRESSURE TUBE	01	01
06D	0503010237	3/8" X 1" HEX BOLT G5	05	05
06E	0503010025	3/8" SPRING WHASHER	12	12
06F	0501069536	PUMP SUCTION TUBE	01	01
06G	0503010355	7/16" X 1" BOLT	04	04
07	0521019027		01	01
08	0503010920	1/2" X 1.1/2" BOLT	02	02
09	0503010019	1/2" SPRING WASHER	06	06
10	0501047808	RESERVOIR OIL ASSY	01	01
10A	0501068882	RESERVOIR OIL	01	01
10B	0503030044	FILTERING ELEMENT	01	01
10C	0501060975	OIL GAGE	01	01
10D	0503010185	2-221 N 3006-9B O'RING	01	01
10E	0502020472	TANK COVER BODY	01	01
10F	0503031604	1/2" BSP PLUG	01	01
10G	0503010046	2-216 N 3006-9B O'RING	01	01
10H	0501016309	2" 1X 2.5/16" NUT	01	01
11	0501044367	HYDRAULIC CYLINDER	01	01
12	0501044366	44,45 X 85,7 X 955 HYDR CYLINDER	01	01
13	0501041108	RETURNING FILTER ASSY	01	01
13A	0502050002	RETURNING FILTER HEAD	01	01
13B	0501010594	1" NUT HEX	01	01
13C	0501010595	1" NF NIPPLE	01	01
13D	0503010183	RETURNING FILTER	01	01
14	0501040871	1/2" COMMAND SIMPLE ASSY	01	



HYDRAULIC CIRCUIT

0909091275

Item	Code	Description	CS CD
14A	0503060080	1/2" COMMAND SIMPLE	01
14B	0501010591	HOSE NIPPLE	01 01
14C	0501010589	1-1/16 NIPPLE	01 01
14D	0503010602	2-211 N 3006-9B O'RING	02 02
14E	0501010590	7/8" REDUCTION NIPPLE	02 04
14F	0503010045	2-116 N 3006-9B O'RING	02 04
14G	0503030347	UPPER LEVER ASSY (SAUER DANFOSS)	01 02
14H	0503010593	2-154 N 3000-7B O'RING	01
14I	0503010140	1/8" X 3/4" COTTERPIN	01 02
15	0501040873	1/2" DOUBLE COMMAND	01
15A	0503060081	1/2" DOUBLE COMMAND	01
15B	0521010532	0.3" X 0.9" COUPLING SHAFT	02
16	0501010080	3/8" X 1-1/2" BOLT	07 07
17	0501010984	FLAT WASHER	03 03
18	0503010026	3/8" NUT	08 08
19	0501047852	CONTROL VALVE (PD V 118 SHT)	01 02
19A	0501069069	CONTROL VALVE (V 985-4/AX 4.75)	01 01
19B	0503030878	LEVER CRANK	01 01
20	0501068945	CURVED CONNECTION	02 02
21	0501064350	VALVE PRESSURE TUBE	02 02
22	0501080103	1/2" X 47" TR-TR HOSE ASSY	02 02
23	0501080307	1/2" X 2150 TR-TR HOSE	02 02
24	0501080672		01 01
25	0501013822	1" X 25.6" AB-AB HOSE	01 01
26	0501019222	HOSE 1.1/4" X 1450 AB-AB	01 01
27	0503010184	1-1/4" TO 1-1/2" CLAMP	02 02
28	0503010243	1-1/2" TO 2" CLAMP	03 03
29	0503010246	2" TO 2 1/2" CLAMP	02 02
30	0511064563	HOSE PROTECTION	01 01
31	0501061617	1" WRENCH CYLINDRICAL HEX	01 01
32	0501068213	5/8" WRENCH DOUBLE	01 01
33	0511010153	2-5/16" FIXED WRENCH	01 01
34	0501063383	TANK OUTER TUBE	01 01
35	0521014428	EXTENSION HEX	02 02
36	0501010161	1/2" X 1-1/4" BOLT	04 04
37	0511017302	FLAT WASHER	04 04
38	0511014069		01 01



MARCHESAN

MARCHESAN IMPLEMENTOS E MÁQUINAS AGRÍCOLAS TATU S.A.

AV. Marchesan, 1979 - Post office box, 131 - CEP 15994-900 - Matão - SP - Brazil

Phone +55 16.3382-8282

(FAX Parts) + 55 16.3382. 8297 - (Export) + 55 16.3382.1003

e.mail: tatu@marchesan.com.br www.marchesan.com.br

Drafting and Illustration = GASPARI
e.mail = jgaspari@marchesan.com.br

**ORIGINAL PARTS
TATU**



MARCHESAN